



US00D644450S

(12) **United States Design Patent**
Walter

(10) **Patent No.:** **US D644,450 S**
(45) **Date of Patent:** **** Sep. 6, 2011**

(54) **MUSIC STAND**

(75) Inventor: **Claude Walter**, Illkirch Graffenstaden (FR)

(73) Assignee: **Rythmes & Sons (Societe A Responsabilite Limitee)**, Illkirch Graffenstaden (FR)

(**) Term: **14 Years**

(21) Appl. No.: **29/379,952**

(22) Filed: **Nov. 29, 2010**

(30) **Foreign Application Priority Data**

Jun. 1, 2010 (EM) 001714452-0001

(51) **LOC (9) Cl.** **06-03**

(52) **U.S. Cl.** **D6/419**

(58) **Field of Classification Search** D6/419,
D6/420, 429, 421; 248/441.1, 444.1, 451,
248/454, 456, 460, 463

See application file for complete search history.

(56) **References Cited**

U.S. PATENT DOCUMENTS

D314,873 S *	2/1991	Wenger et al.	D6/419
D365,825 S *	1/1996	Abraham	D14/299
D432,812 S *	10/2000	Rivera	D6/419
D465,235 S *	11/2002	Heid	D17/99
D540,564 S *	4/2007	Tai	D6/419
D557,035 S *	12/2007	Huang	D6/419

* cited by examiner

Primary Examiner — Janice Seeger

(74) *Attorney, Agent, or Firm* — Egbert Law Offices PLLC

(57) **CLAIM**

The ornamental design for a music stand, as shown and described.

DESCRIPTION

FIG. 1 is an upper perspective view of the music stand showing my design.

FIG. 2 is a front elevation view thereof;

FIG. 3 is a back elevation view thereof;

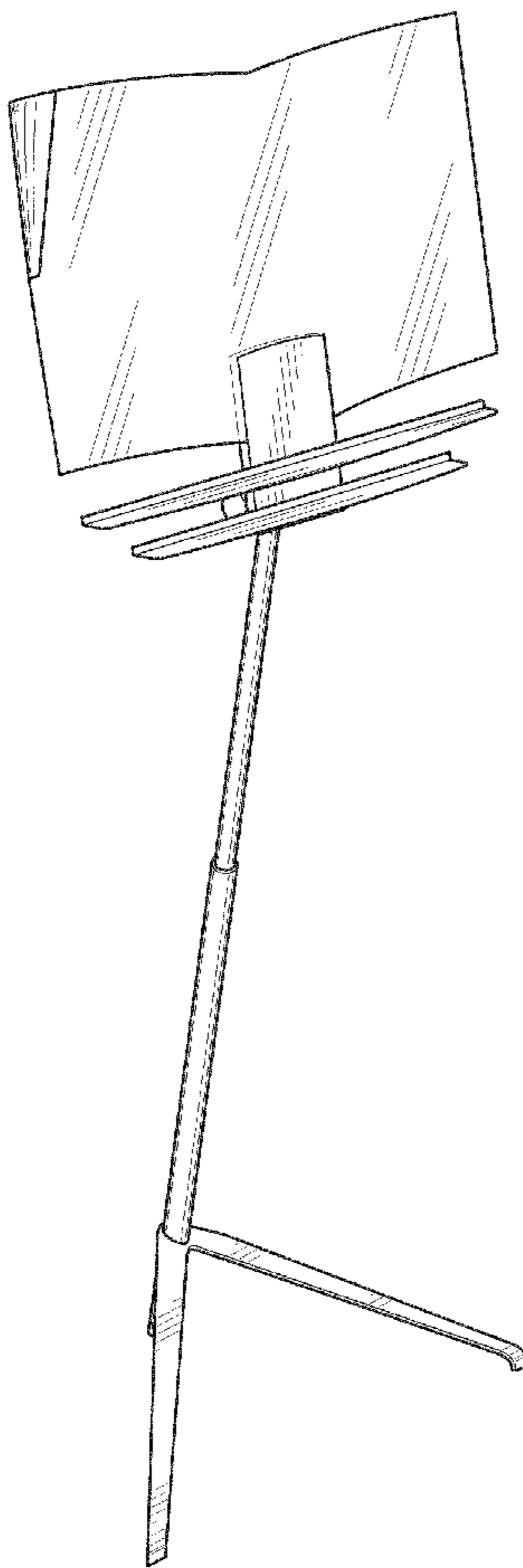
FIG. 4 is a side elevation view thereof;

FIG. 5 is an opposite side view thereof.

FIG. 6 is a top plan view thereof; and,

FIG. 7 is a bottom plan view thereof.

1 Claim, 4 Drawing Sheets



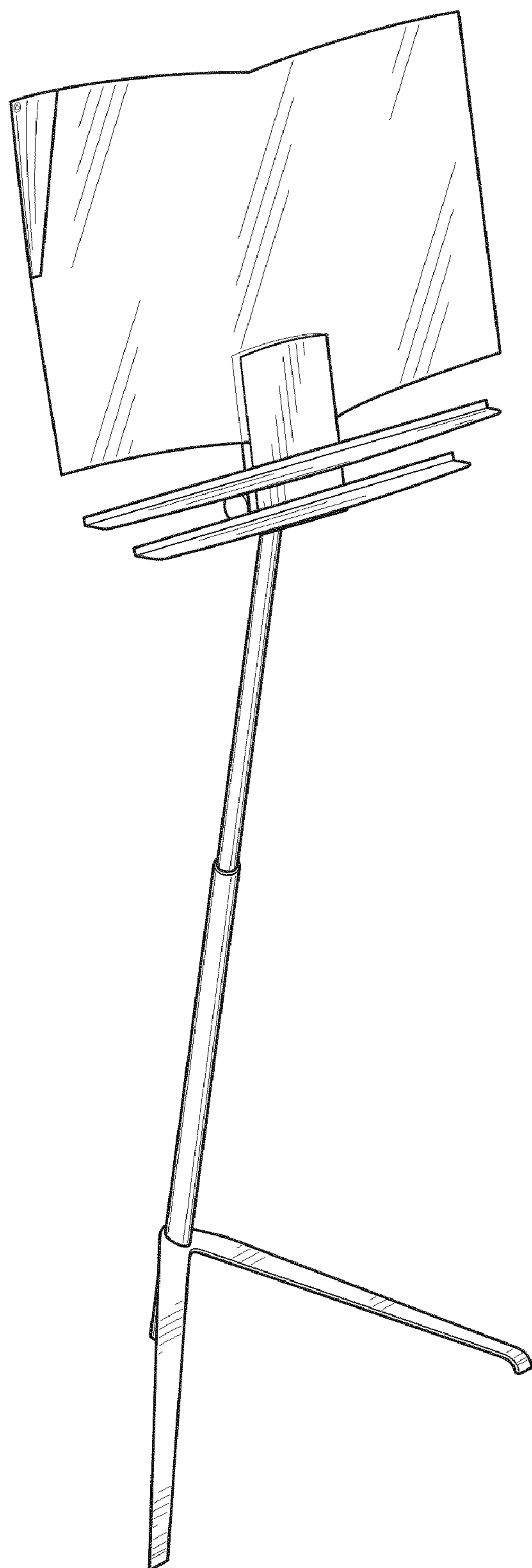


FIG. 1

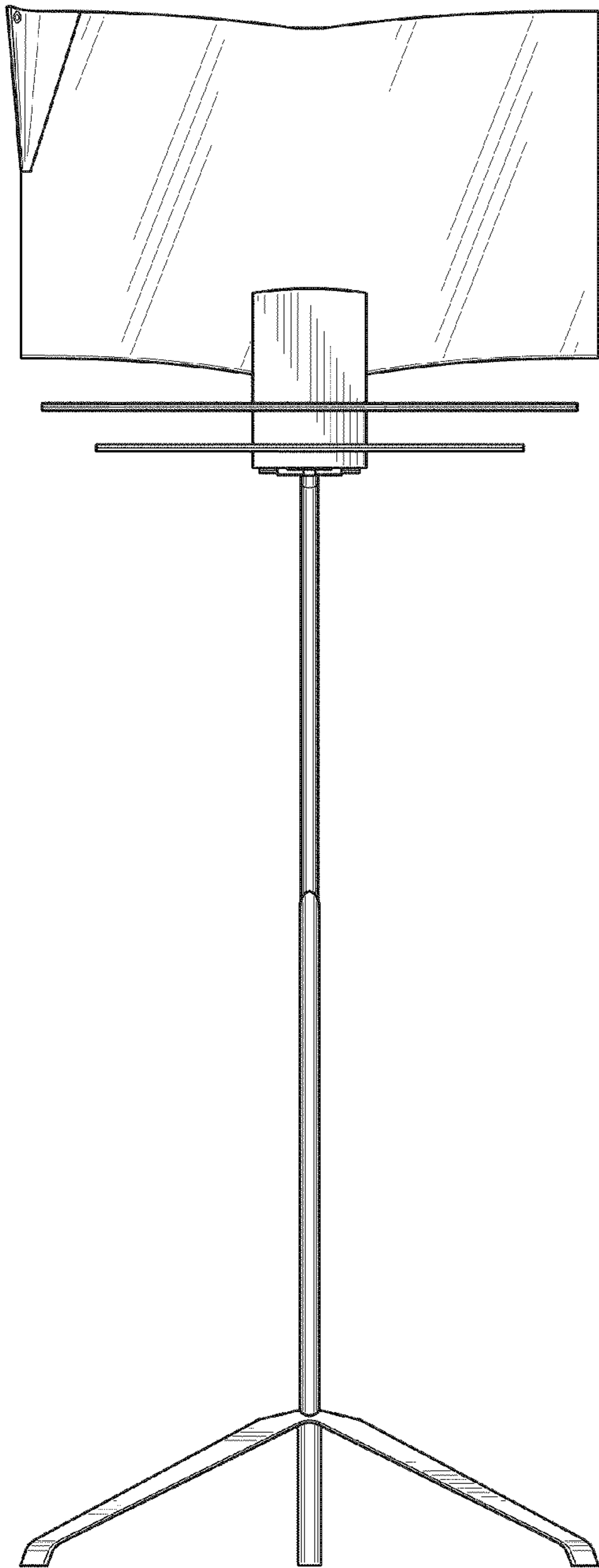


FIG. 2

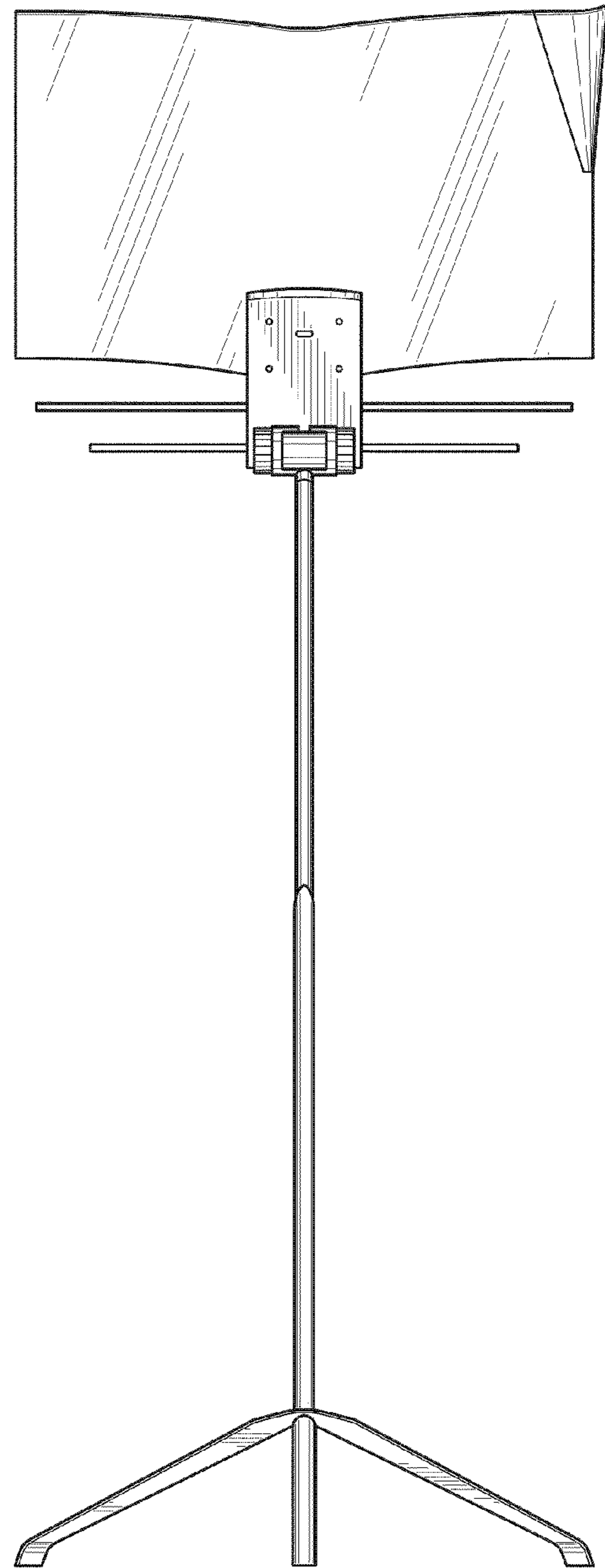


FIG. 3

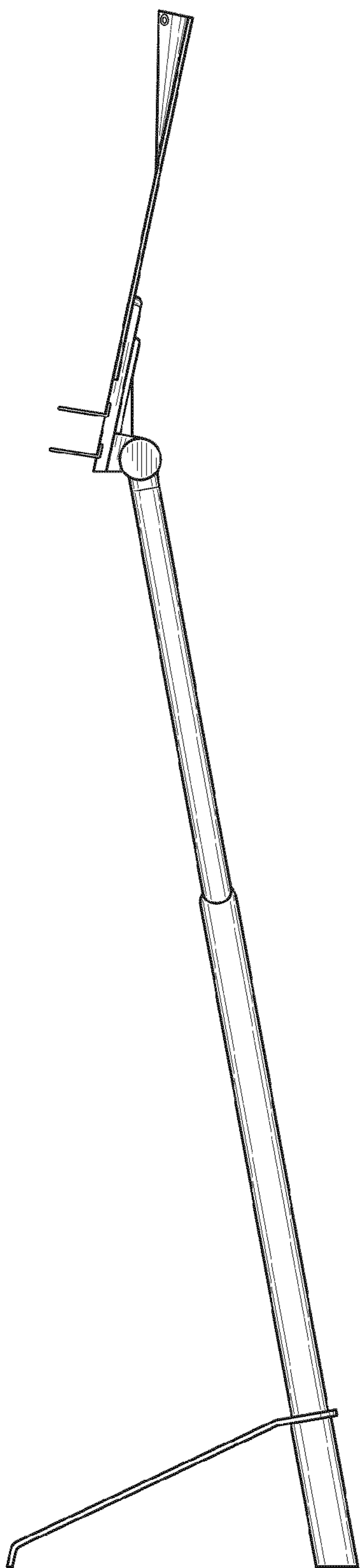


FIG. 4

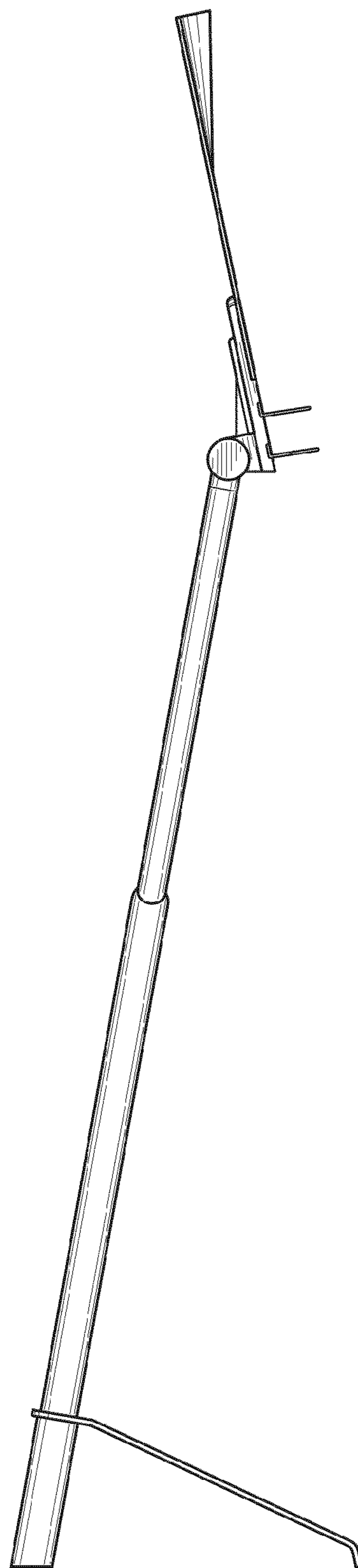


FIG. 5

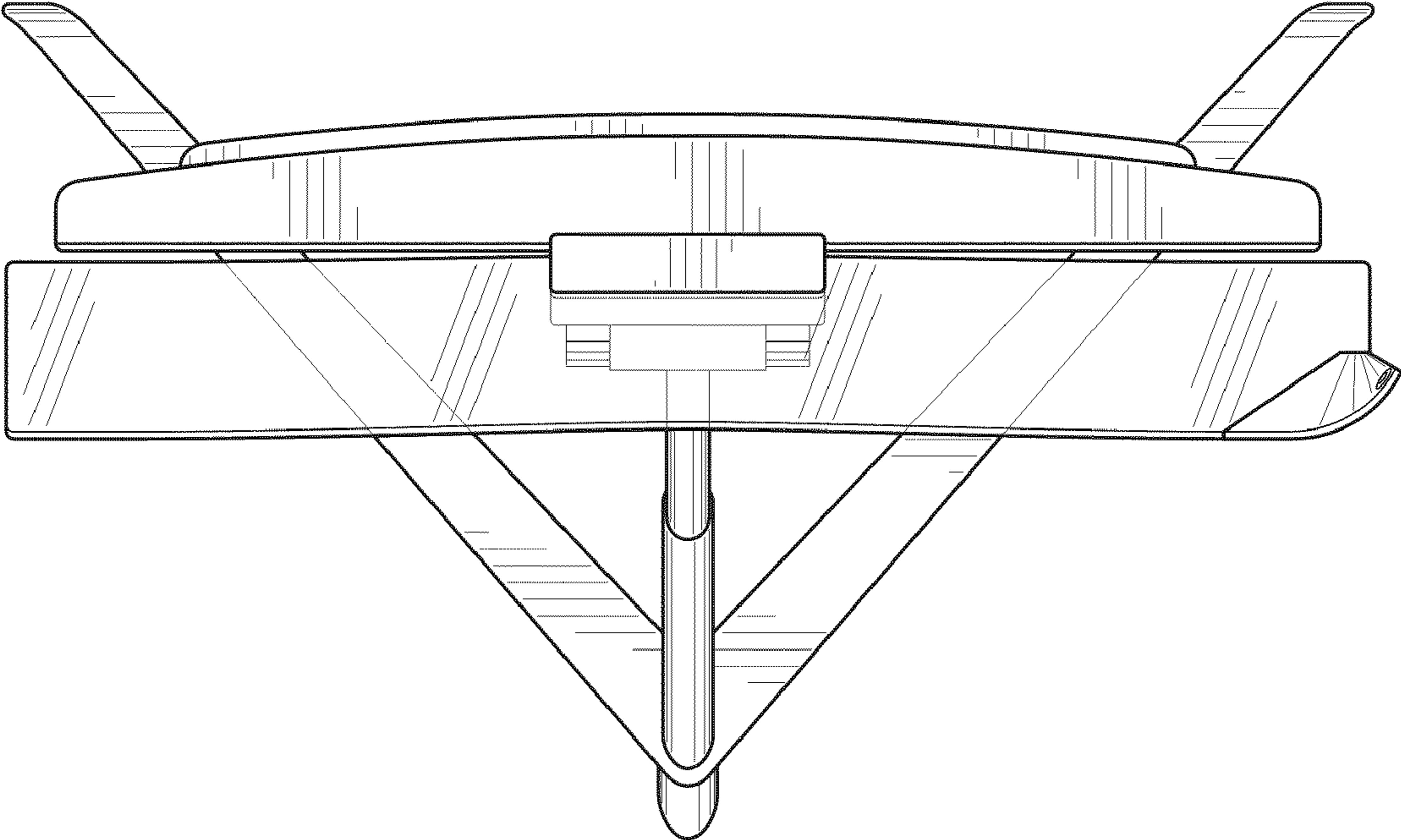


FIG. 6

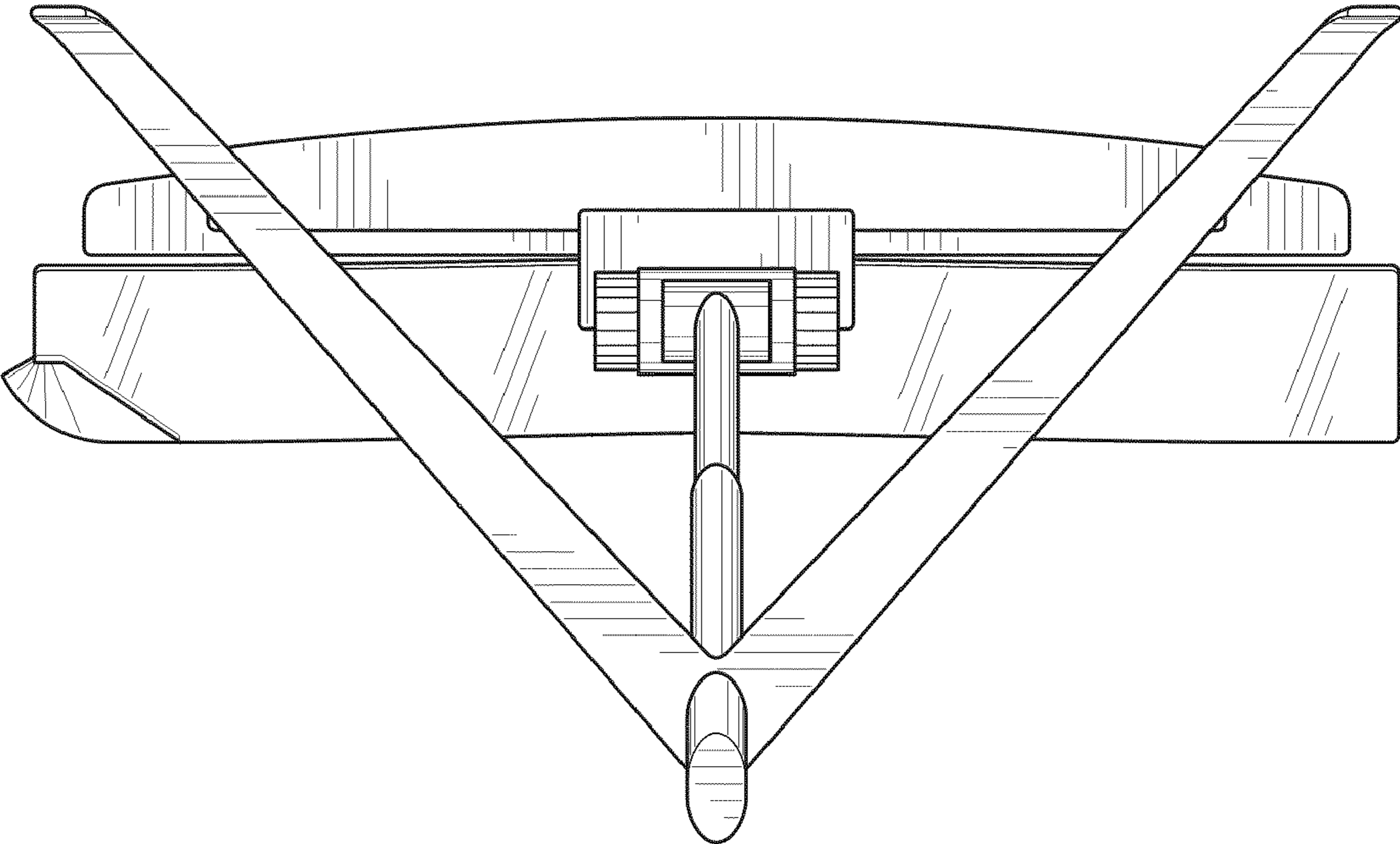


FIG. 7