



US00D644447S

(12) **United States Design Patent**
Miller et al.

(10) **Patent No.:** **US D644,447 S**

(45) **Date of Patent:** **** Sep. 6, 2011**

(54) **BENCH**

(75) Inventors: **Jeff Miller**, New York, NY (US);
Yoshihisa Konishi, New York, NY (US)

(73) Assignee: **Itoki Design Corporation**, New York,
NY (US)

(**) Term: **14 Years**

(21) Appl. No.: **29/371,165**

(22) Filed: **Nov. 5, 2010**

(51) **LOC (9) Cl.** **06-01**

(52) **U.S. Cl.** **D6/349**

(58) **Field of Classification Search** D6/340,
D6/349-354, 355, 491, 492, 500-502; 297/16.1,
297/16.2, 175, 181, 186, 187, 195.1, 215.16,
297/440.12, 461, 462, DIG. 2

See application file for complete search history.

(56) **References Cited**

U.S. PATENT DOCUMENTS

D439,447 S	*	3/2001	Diekman	D6/486
D441,206 S	*	5/2001	Olofson	D6/351
D465,663 S	*	11/2002	Ramirez	D6/349
D471,888 S	*	3/2003	Solland	D14/204

D532,618 S	*	11/2006	Mourgue	D6/352
D557,910 S	*	12/2007	Saunders et al.	D6/350
D580,666 S	*	11/2008	Sempe	D6/349
D610,359 S	*	2/2010	Young-il et al.	D6/355
D615,020 S	*	5/2010	Bock	D12/345
D625,678 S	*	10/2010	Heinz	D12/217

* cited by examiner

Primary Examiner — Sandra Snapp

(74) *Attorney, Agent, or Firm* — McGinn IP Law Group,
PLLC

(57) **CLAIM**

The ornamental design for a bench, as shown and described.

DESCRIPTION

FIG. 1 is a perspective view of the front, top and right side of a bench showing our new design; FIG. 2 is a front view thereof; FIG. 3 is a rear view thereof; FIG. 4 is a top plan view thereof; FIG. 5 is a bottom view thereof; FIG. 6 is a left side view thereof; FIG. 7 is a right side view thereof; and, FIG. 8 is a top plan reference view showing usage thereof. The portions shown in broken lines are for illustrative purposes only and form no part of the claimed design.

1 Claim, 6 Drawing Sheets

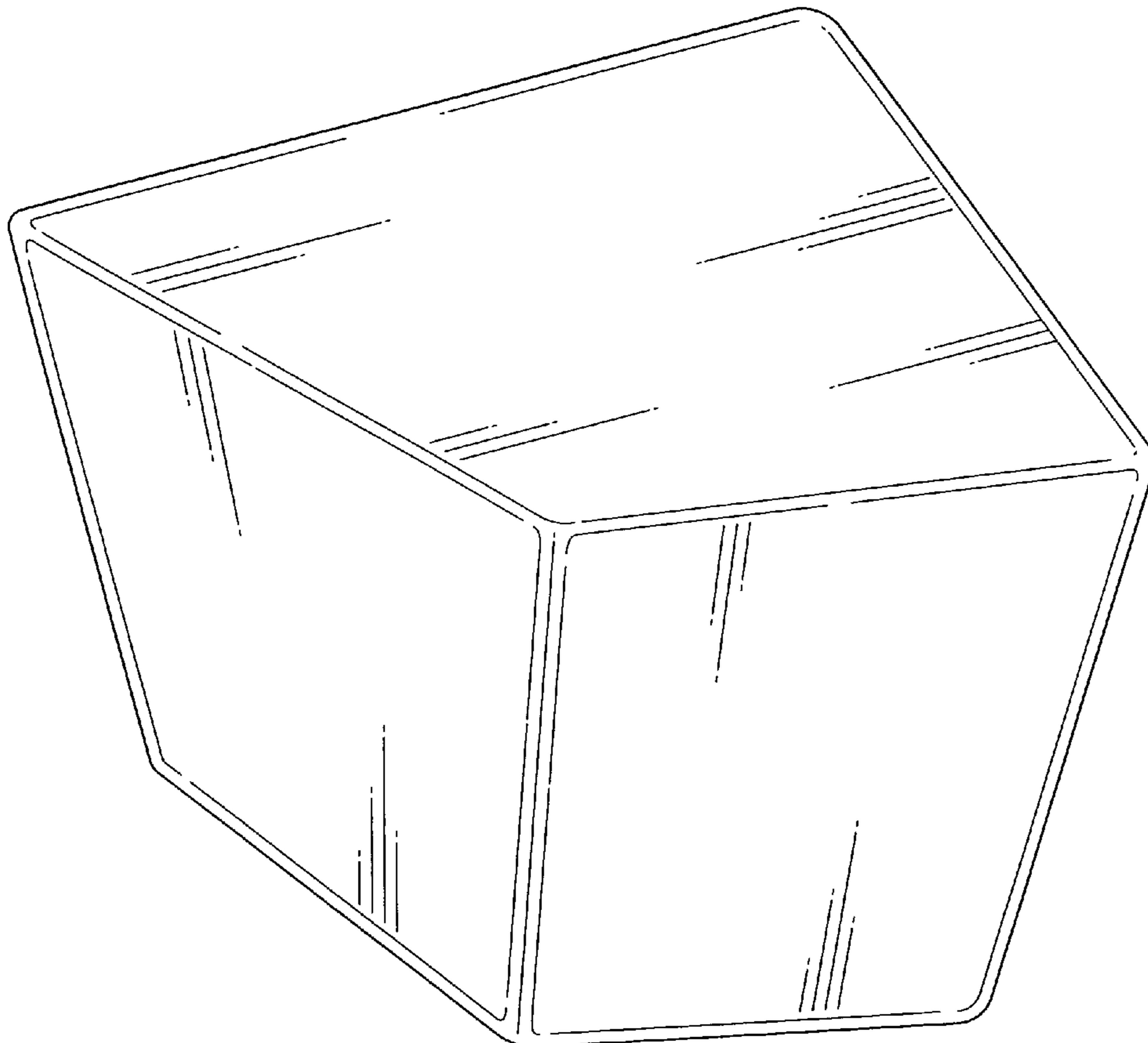


Fig. 1

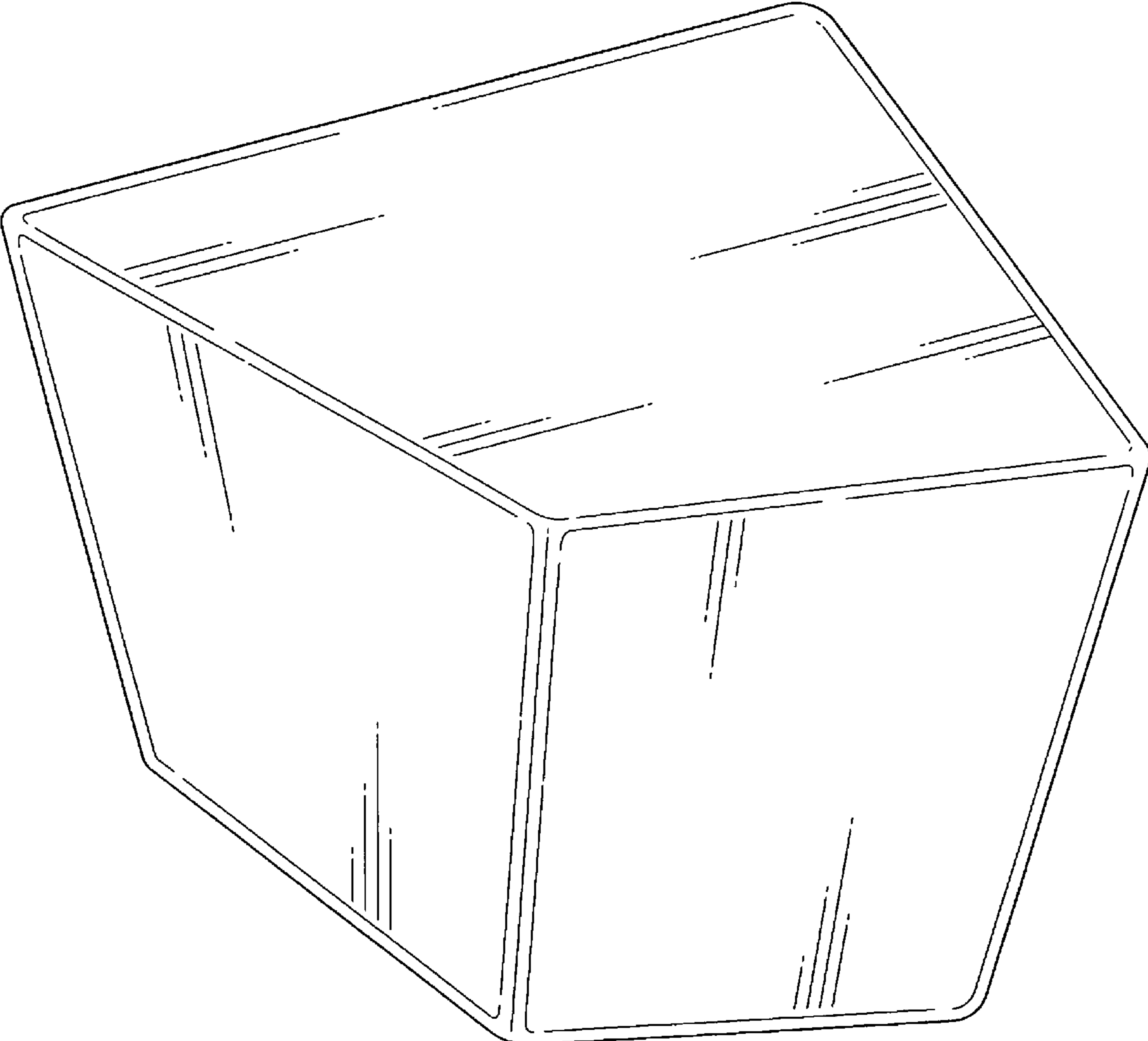


Fig. 2

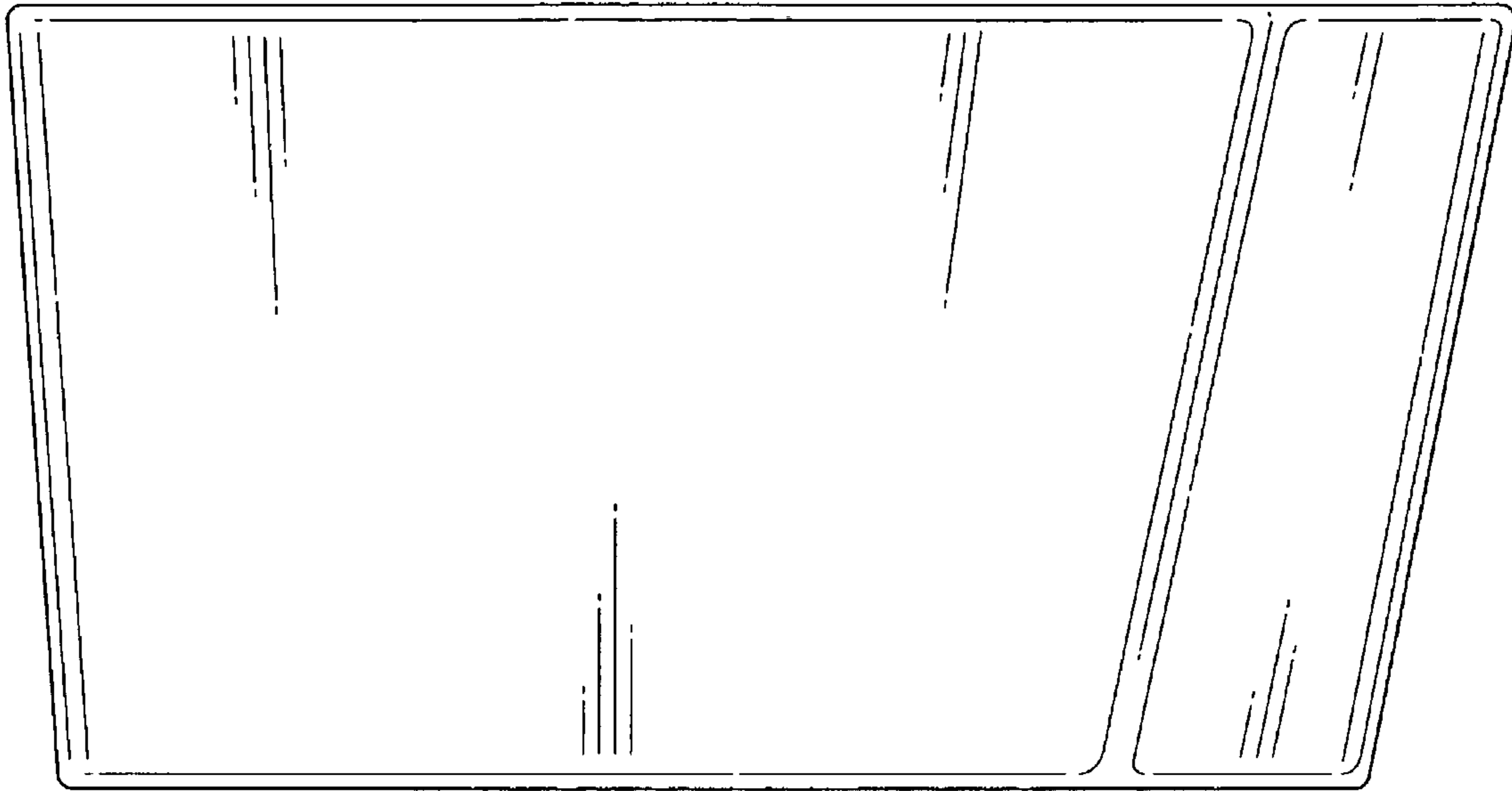


Fig. 3

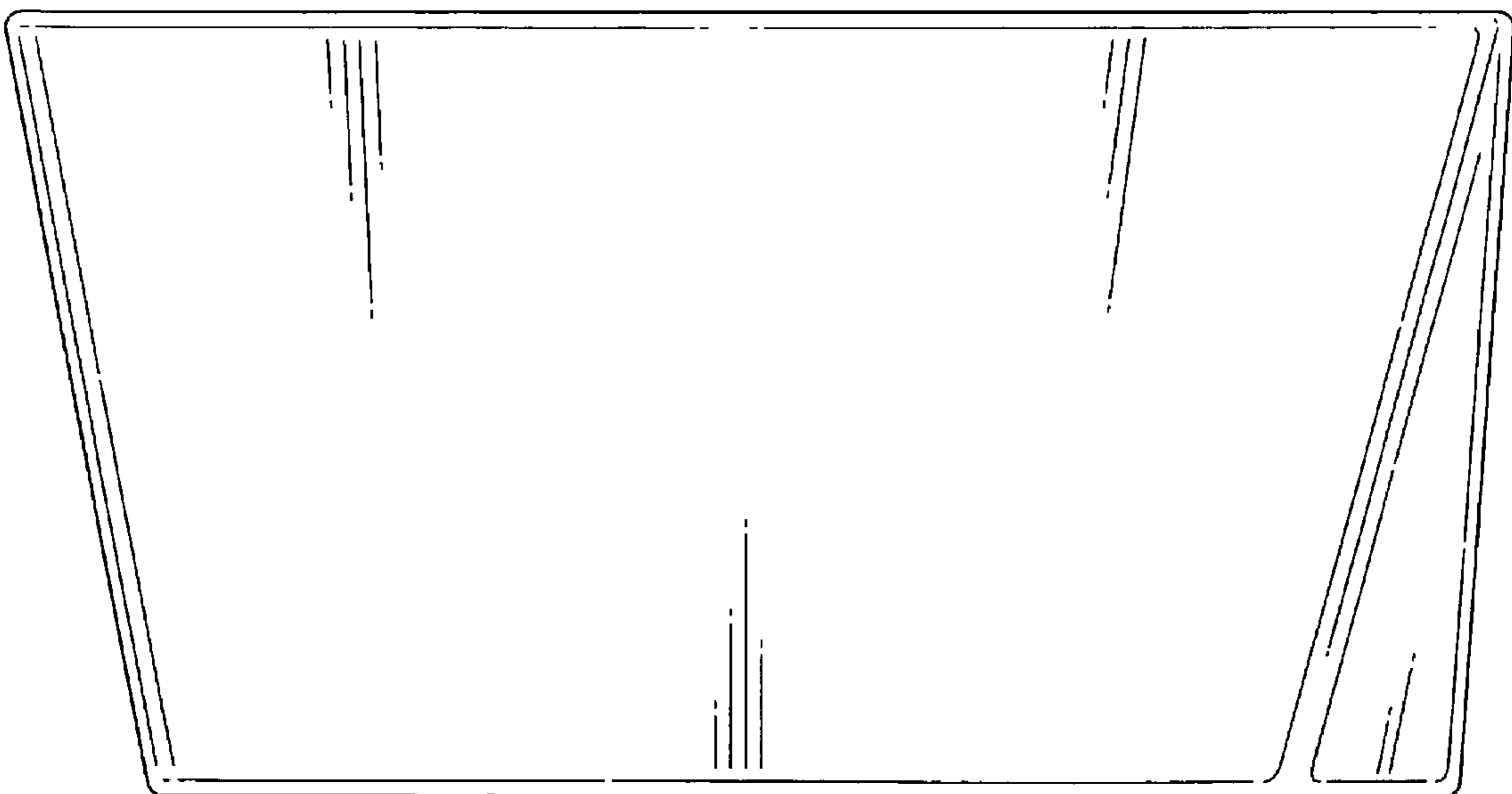


Fig. 4

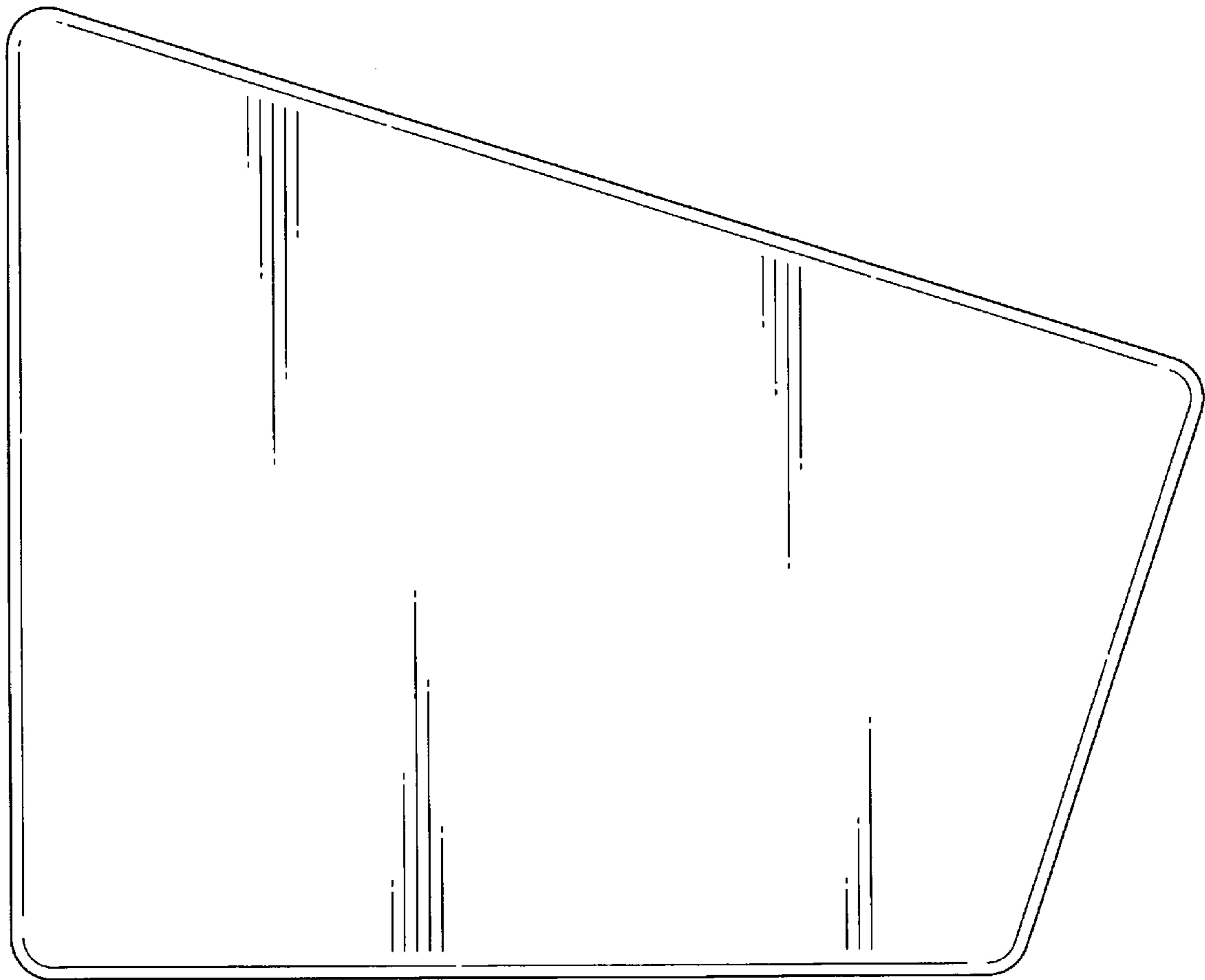


Fig. 5

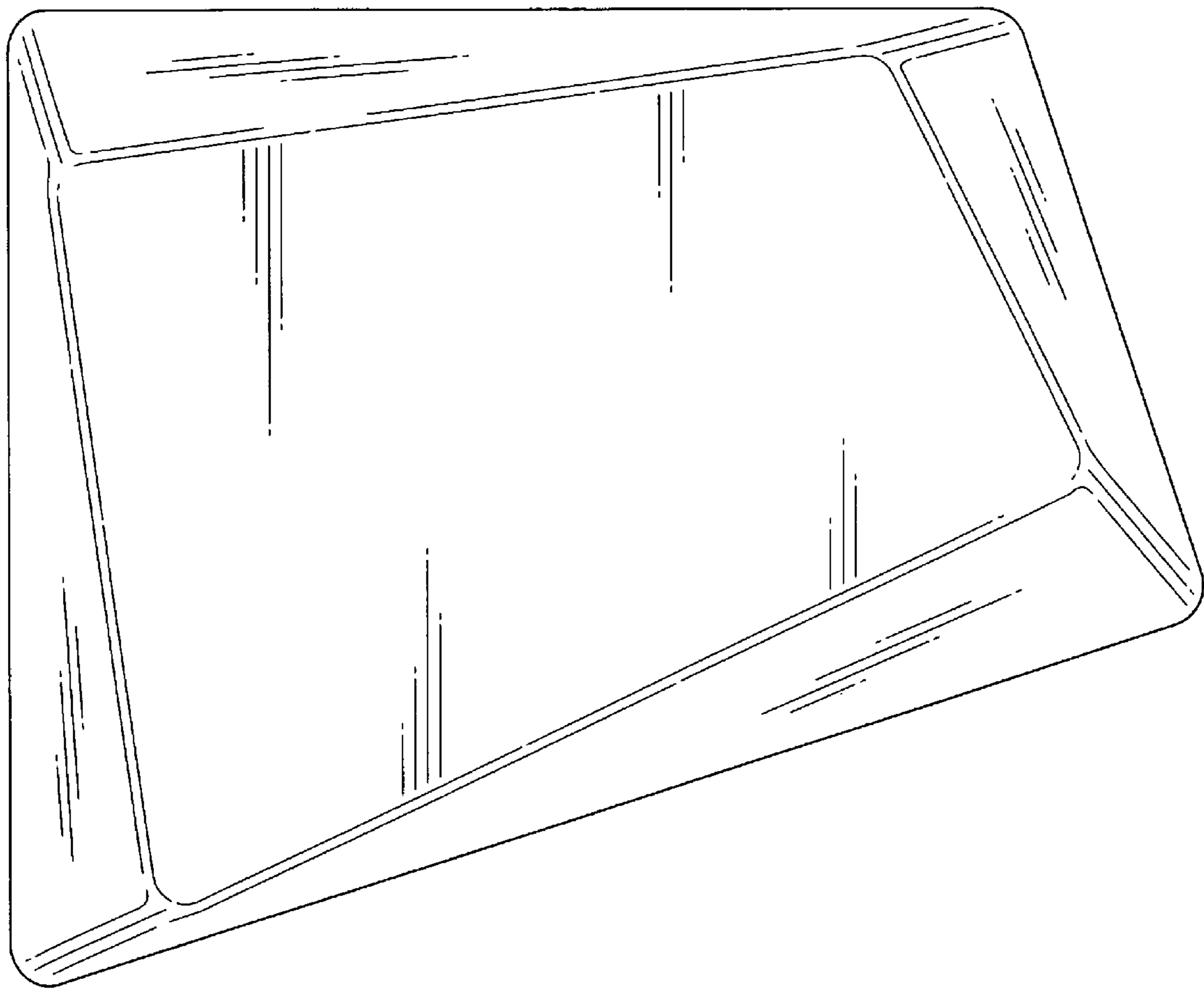


Fig. 6

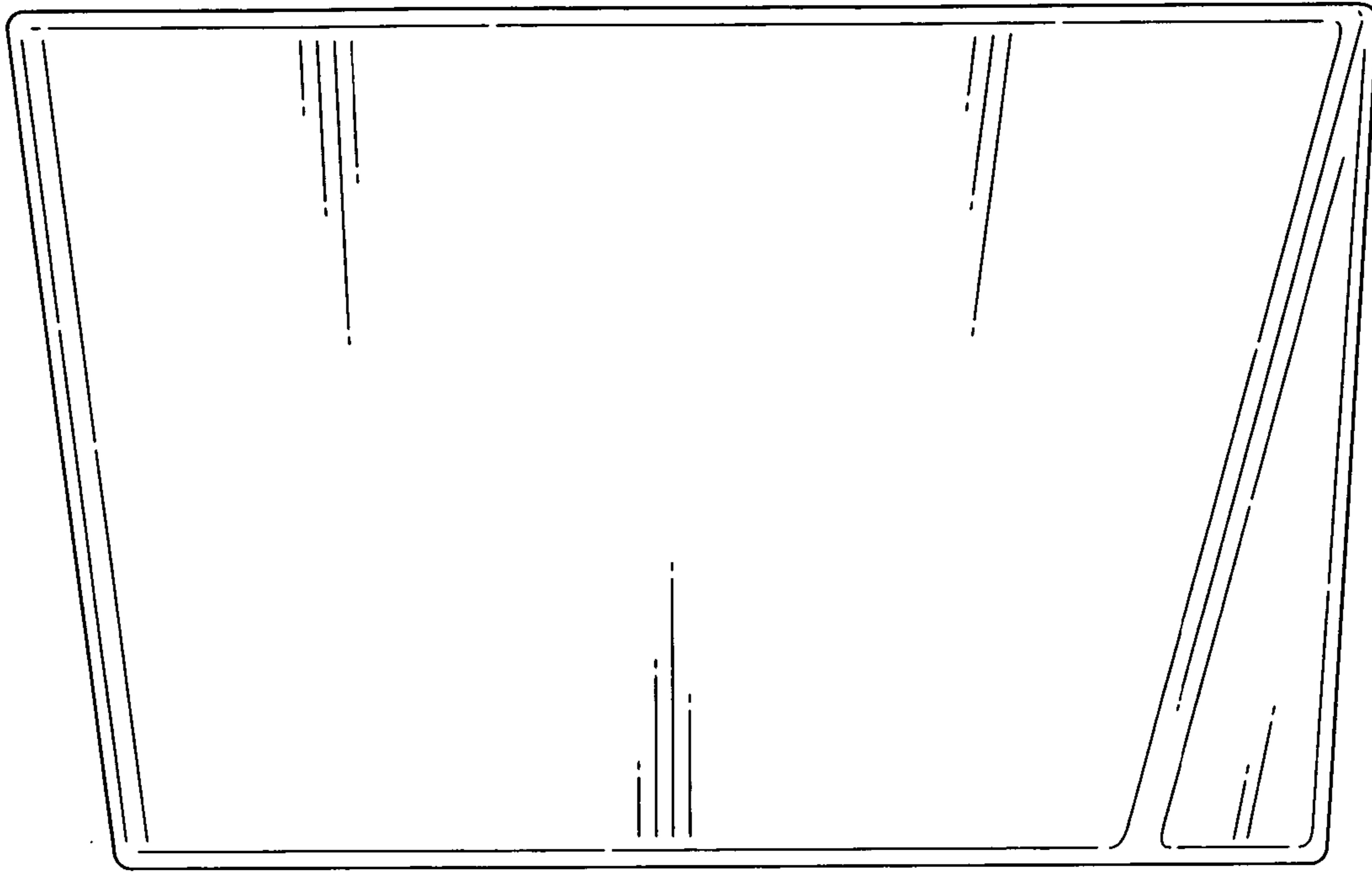


Fig. 7

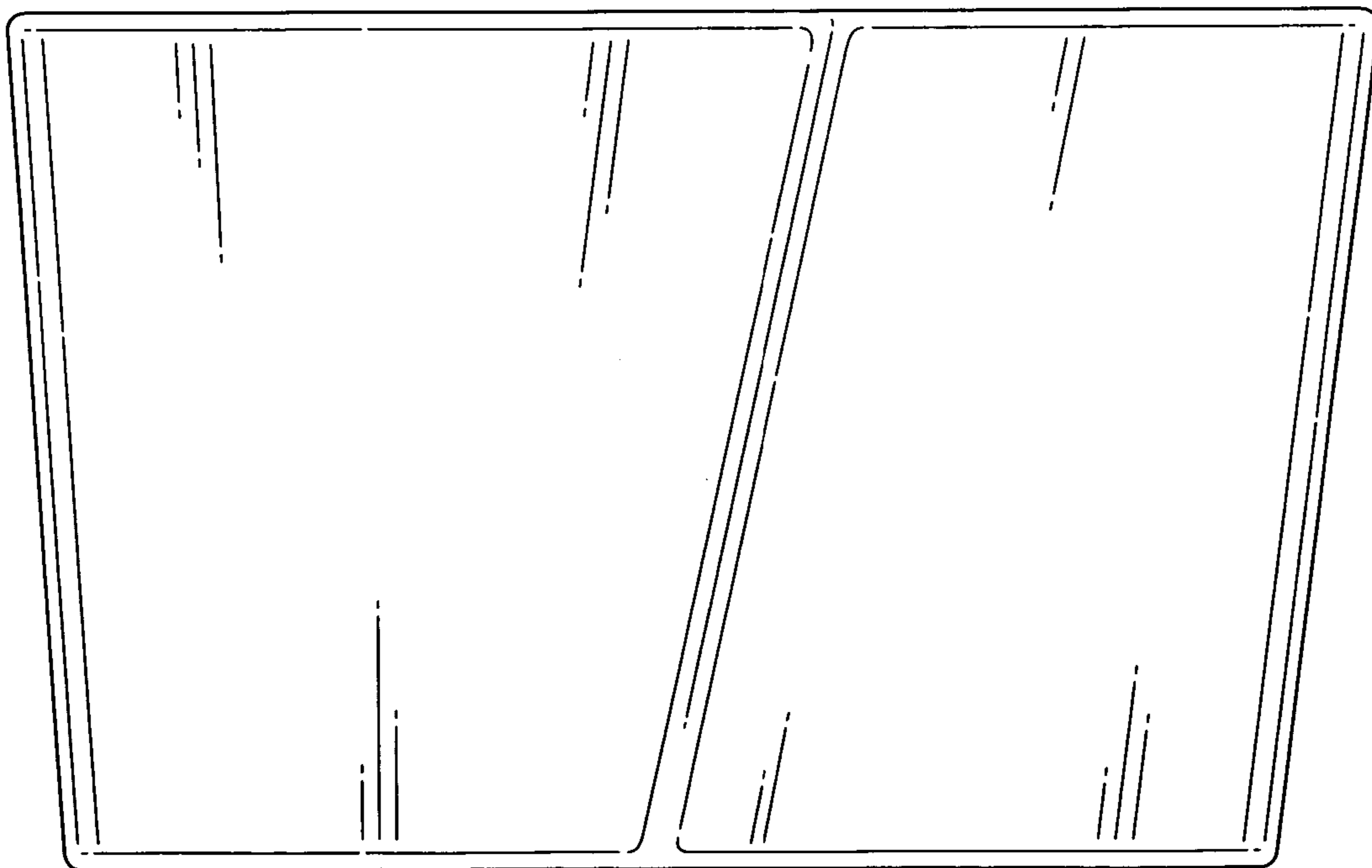


Fig. 8

