



US00D644446S

(12) **United States Design Patent**
Schwartz et al.

(10) **Patent No.:** **US D644,446 S**

(45) **Date of Patent:** **** *Sep. 6, 2011**

(54) **LEANING RAIL**

(75) Inventors: **Elisabeth Schwartz**, Munich (DE);
Michael Waldron, Munich (DE); **Sonja Schiefer**, Munich (DE)

(73) Assignee: **Landscape Forms, Inc.**, Kalamazoo, MI (US)

(*) Notice: This patent is subject to a terminal disclaimer.

(**) Term: **14 Years**

(21) Appl. No.: **29/335,542**

(22) Filed: **Apr. 17, 2009**

(51) **LOC (9) Cl.** **06-01**

(52) **U.S. Cl.** **D6/349**

(58) **Field of Classification Search** D6/340,
D6/349-354, 355, 491, 492, 500-502; 297/16.1,
297/16.2, 175, 181, 186, 187, 195.1, 215.16,
297/440.12, 461, 462, DIG. 2

See application file for complete search history.

(56) **References Cited**

U.S. PATENT DOCUMENTS

4,230,365 A * 10/1980 Messinger 297/452.19
D274,676 S * 7/1984 Massonnet D6/349
5,165,754 A * 11/1992 Louys 297/391
D427,815 S * 7/2000 Lewis D6/485

D548,484 S * 8/2007 Kieffer D6/436
D568,073 S * 5/2008 Charette D6/492
D571,581 S * 6/2008 Weimer et al. D6/492
D602,271 S * 10/2009 Schwartz et al. D6/355
2007/0188006 A1 * 8/2007 Zahner, III 297/451.7

* cited by examiner

Primary Examiner — Sandra Snapp

(74) *Attorney, Agent, or Firm* — Heslin Rothenberg Farley & Mesiti P.C.

(57) **CLAIM**

The ornamental design for the leaning rail, as shown and described.

DESCRIPTION

This application is related to commonly assigned, concurrently filed applications Ser. No. 29/335,535, filed Apr. 17, 2009, now U.S. Design Pat. No. D 613,646, issued Apr. 13, 2010, Ser. No. 29/335,540, filed Apr. 17, 2009, now U.S. Design Pat. No. D 625,524 issued Oct. 19, 2010, and Ser. No. 29/335,543, filed Apr. 17, 2009, now U.S. Design Pat. No. D 602,271, issued Oct. 20, 2009.

FIG. 1 is an isometric view of the leaning rail of the present design;

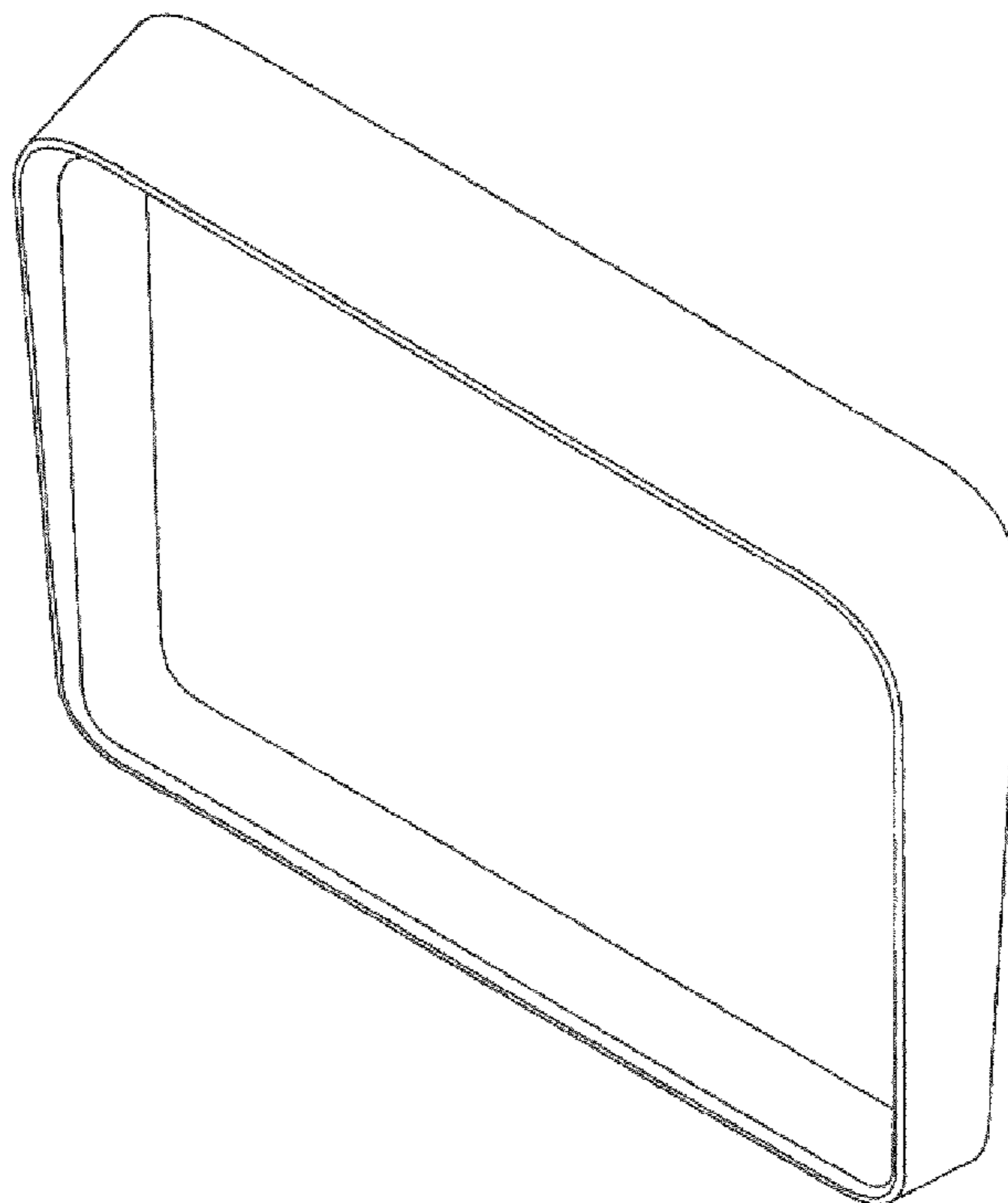
FIG. 2 is a front elevation view thereof;

FIG. 3 is a right side elevation view thereof, the left side elevation view being a mirror image thereof;

FIG. 4 is a rear elevation view thereof; and,

FIG. 5 is a top plan view thereof.

1 Claim, 5 Drawing Sheets



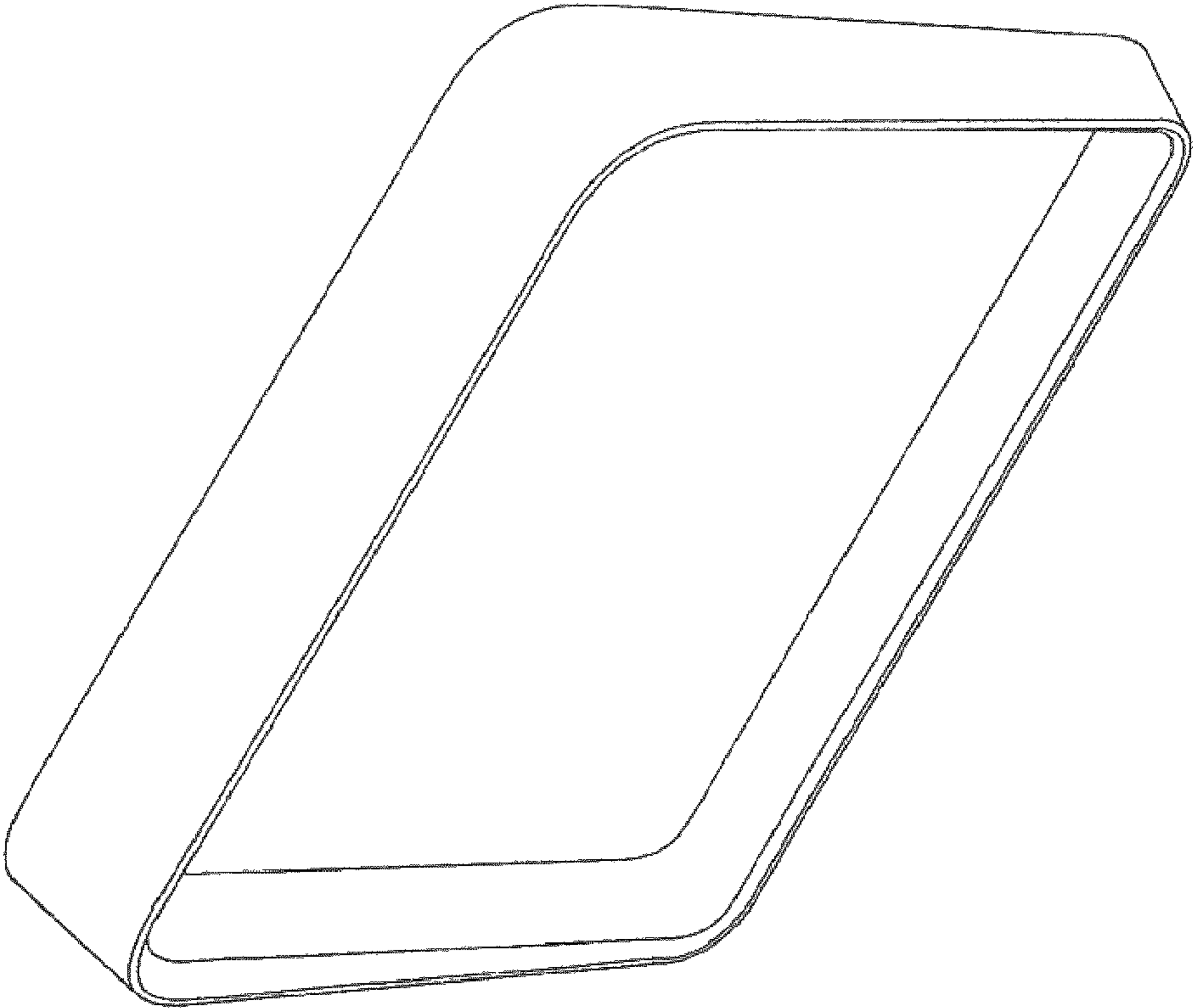


FIGURE 1

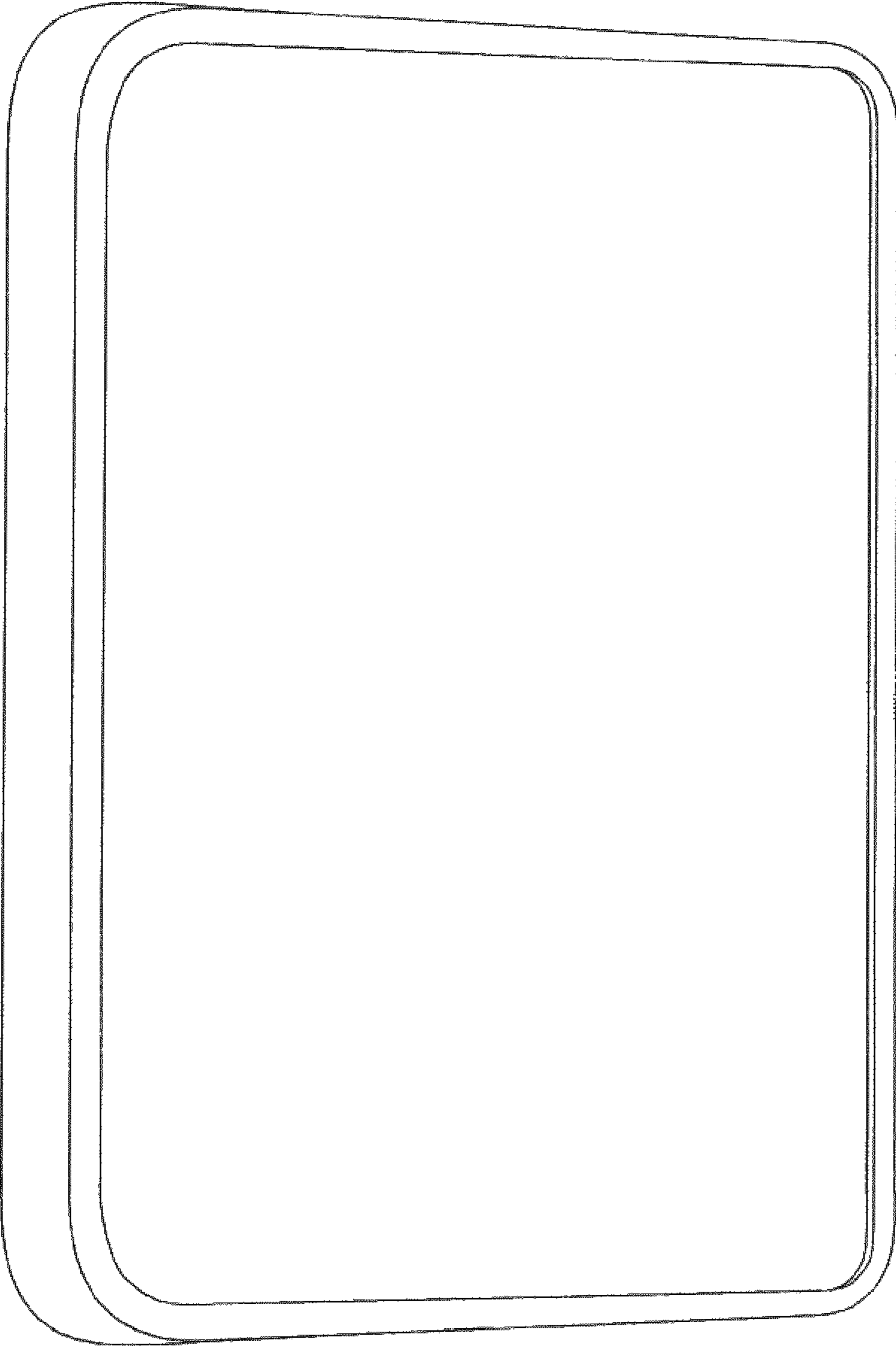


FIGURE 2

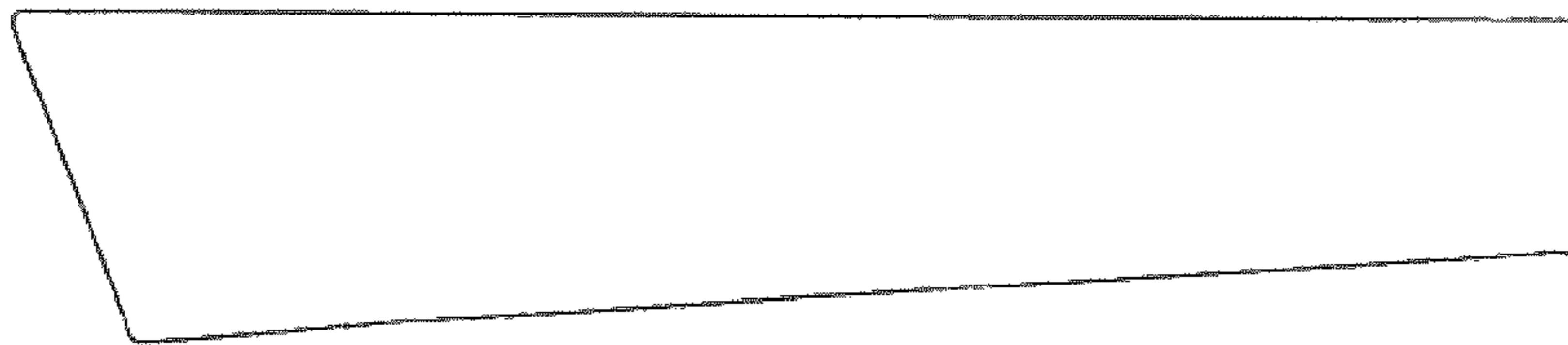


FIGURE 3

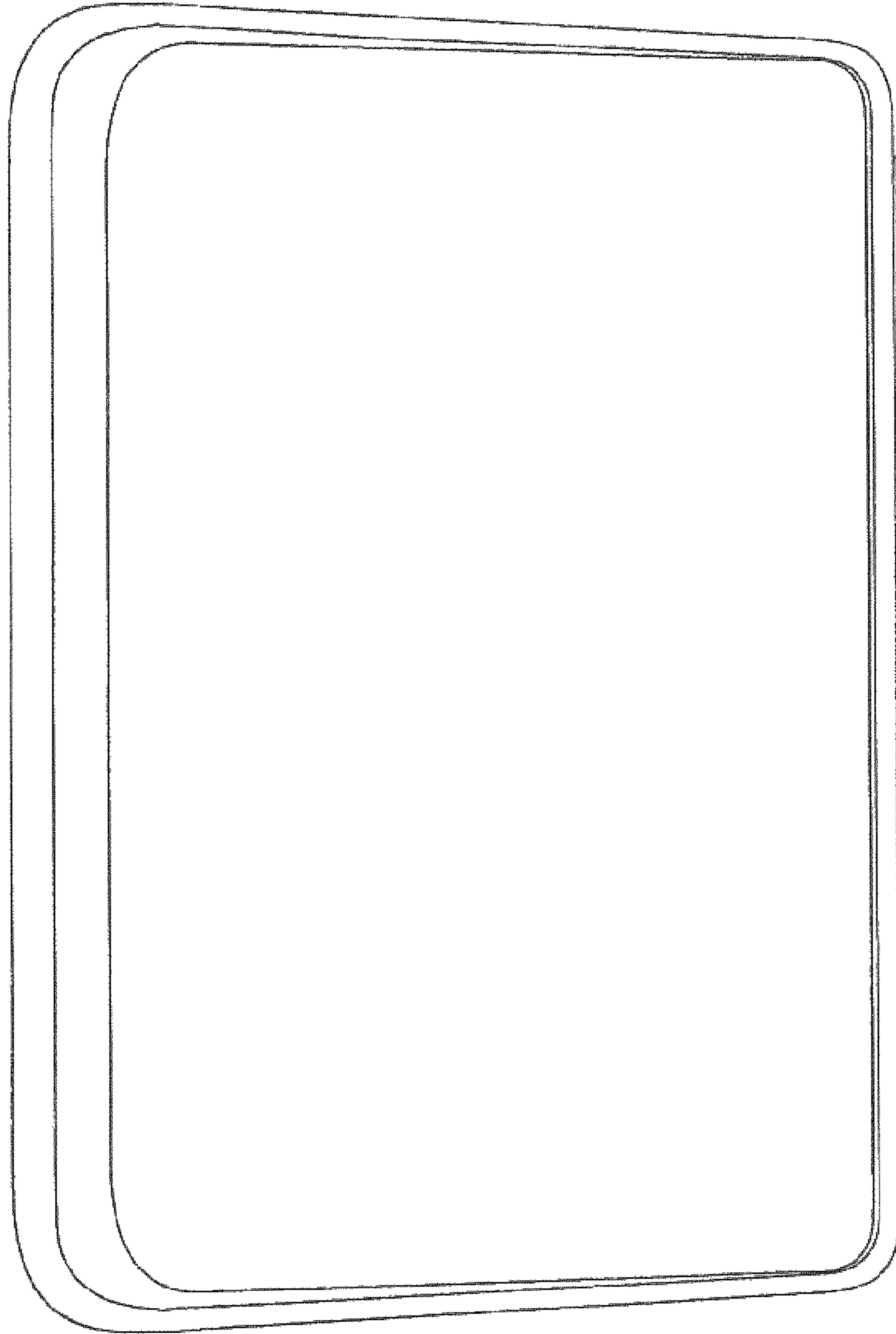


FIGURE 4

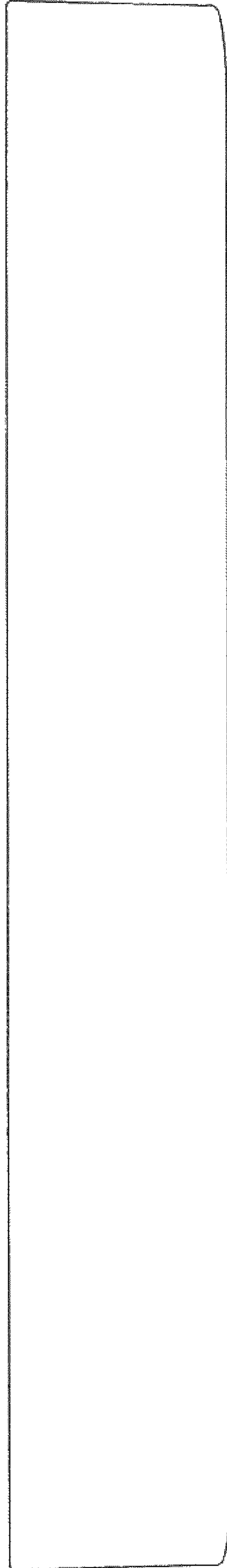


FIGURE 5