



US00D644444S

(12) **United States Design Patent**
Hrib

(10) **Patent No.:** **US D644,444 S**

(45) **Date of Patent:** **** Sep. 6, 2011**

(54) **MODULAR SEATING SYSTEM**

(76) **Inventor:** **Gabriel P. Hrib**, Marietta, GA (US)

(**) **Term:** **14 Years**

(21) **Appl. No.:** **29/332,554**

(22) **Filed:** **Feb. 19, 2009**

(51) **LOC (9) Cl.** **06-01**

(52) **U.S. Cl.** **D6/337**

(58) **Field of Classification Search** D6/330,
D6/335-338, 340, 349-355, 358, 359, 364,
D6/366, 376, 491, 495, 500-502; 297/16.1,
297/39, 46, 135, 140, 156, 158.3, 158.4,
297/175, 177, 187, 195.1, 195.11, 211, 245,
297/423.1, 423.16, 445.1, 461, 462, 136,
297/170, 172, 174 F

See application file for complete search history.

(56) **References Cited**

U.S. PATENT DOCUMENTS

2,164,715 A * 7/1939 Krainbill 297/115
5,335,962 A * 8/1994 Gera 297/232
D570,615 S 6/2008 Harrison

* cited by examiner

Primary Examiner — Sandra Snapp

(74) *Attorney, Agent, or Firm* — Bradley D. Crose; Crose Law LLC

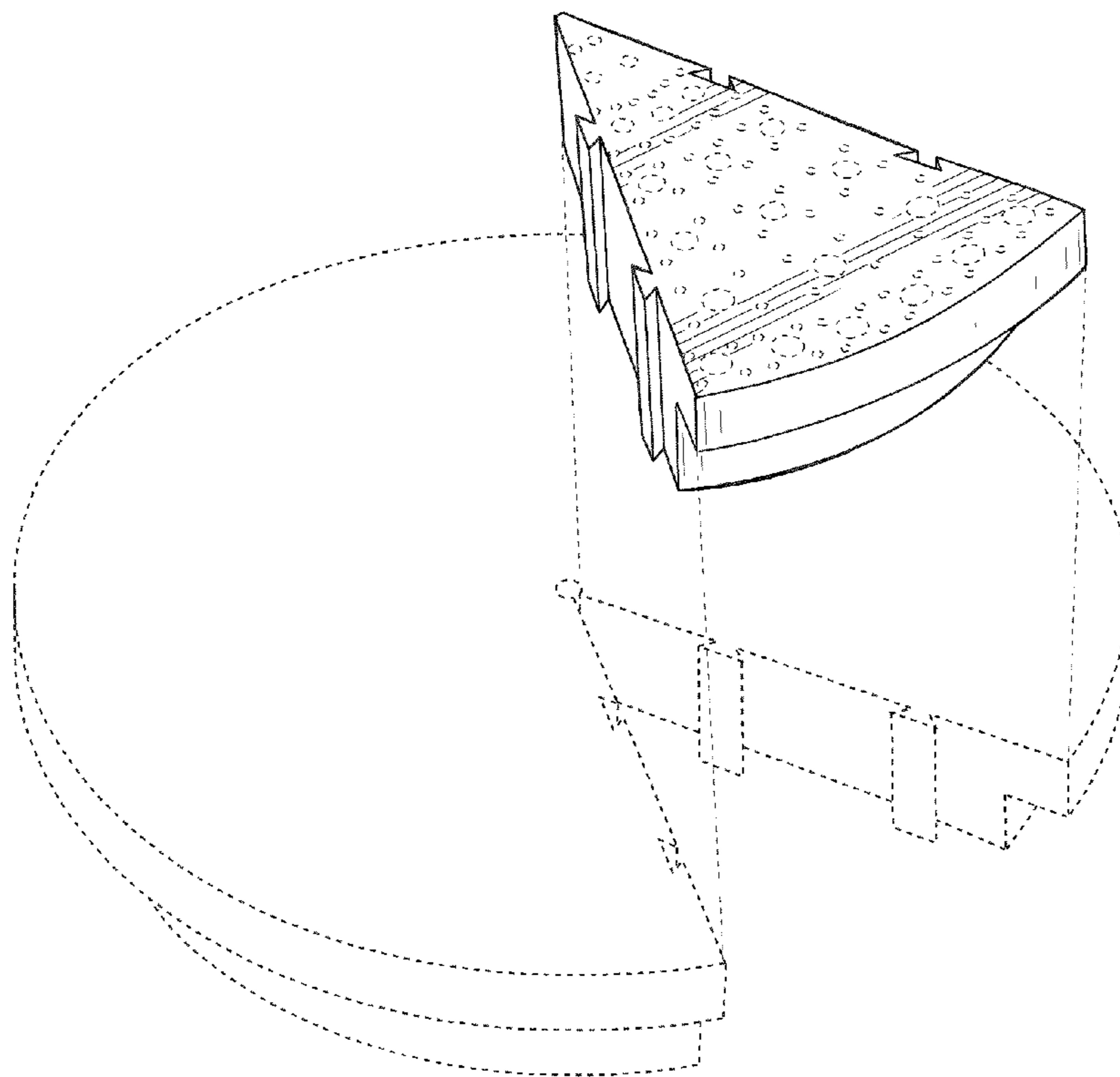
(57) **CLAIM**

The ornamental design for a modular seating system, as shown and described.

DESCRIPTION

FIG. 1 is a front perspective view of a modular seating system, according to an embodiment of the technology described herein, illustrating the new, original, and ornamental design; FIG. 2 is a front planar view of the modular seating system, illustrating the new, original, and ornamental design; FIG. 3 is a rear planar view the modular seating system, illustrating the new, original, and ornamental design; FIG. 4 is a top planar view of the modular seating system, illustrating the new, original, and ornamental design; FIG. 5 is a bottom planar view of the modular seating system, illustrating the new, original, and ornamental design; FIG. 6 is a left side planar view of the modular seating system, illustrating the new, original, and ornamental design; FIG. 7 is a right side planar view of the modular seating system, illustrating the new, original, and ornamental design; FIG. 8 is a top perspective view of the modular seating system, according to an embodiment of the technology described herein, illustrating the new, original, and ornamental design; and, FIG. 9 is a top perspective view of the modular seating system, according to an embodiment of the technology described herein, illustrating the new, original, and ornamental design. The broken line shown in the drawings are for illustrative purposes only and form no part of the claimed design.

1 Claim, 7 Drawing Sheets



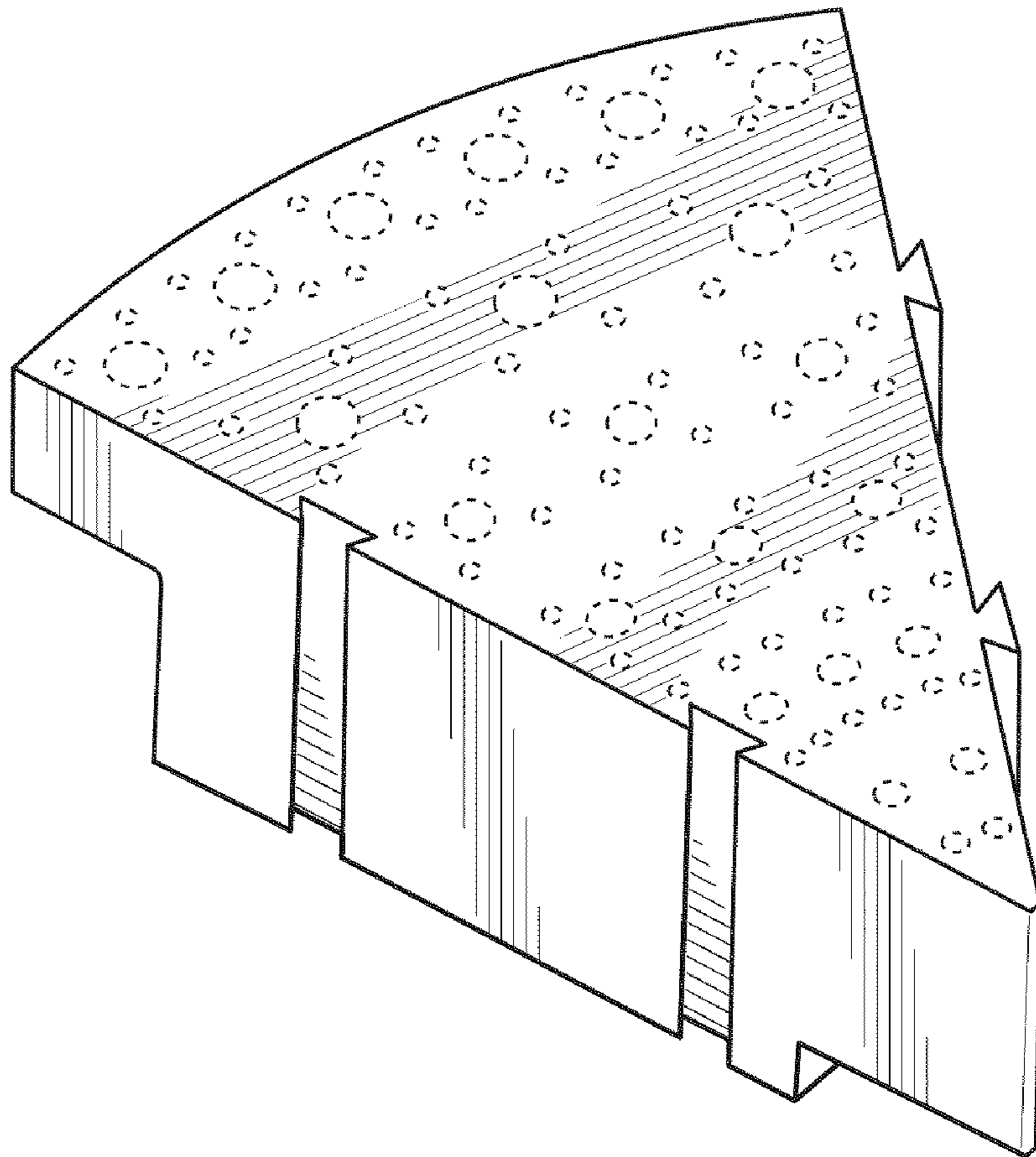


FIG. 1

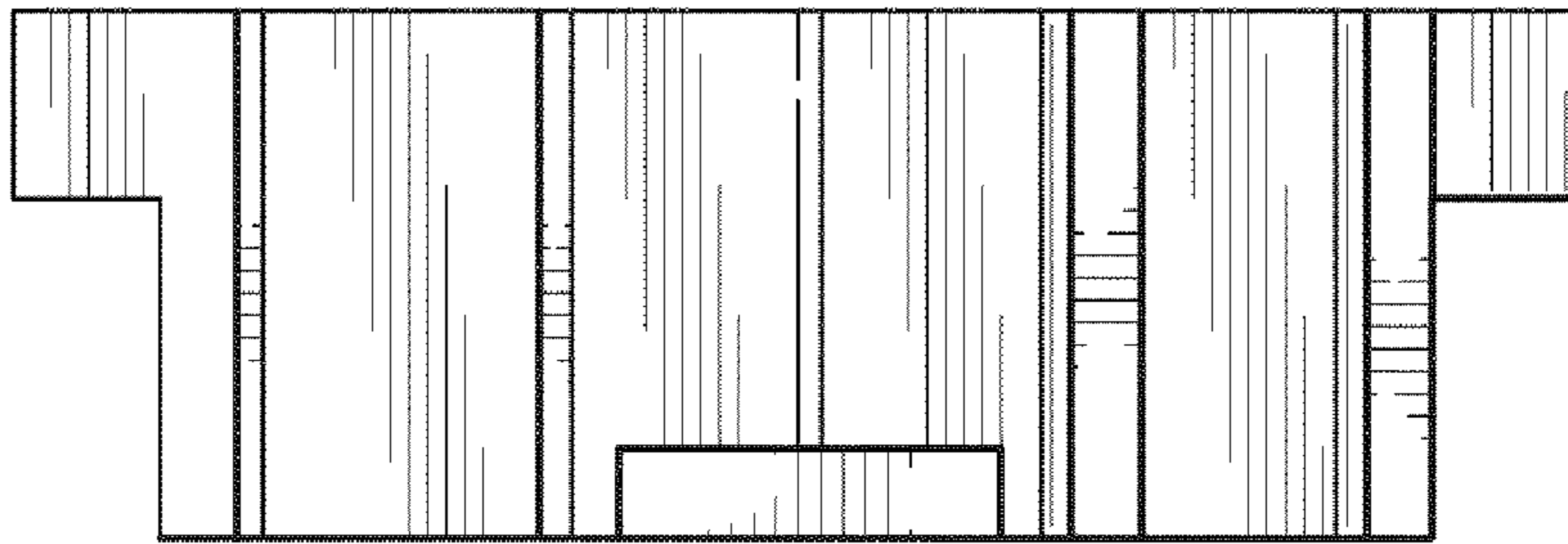


FIG. 2

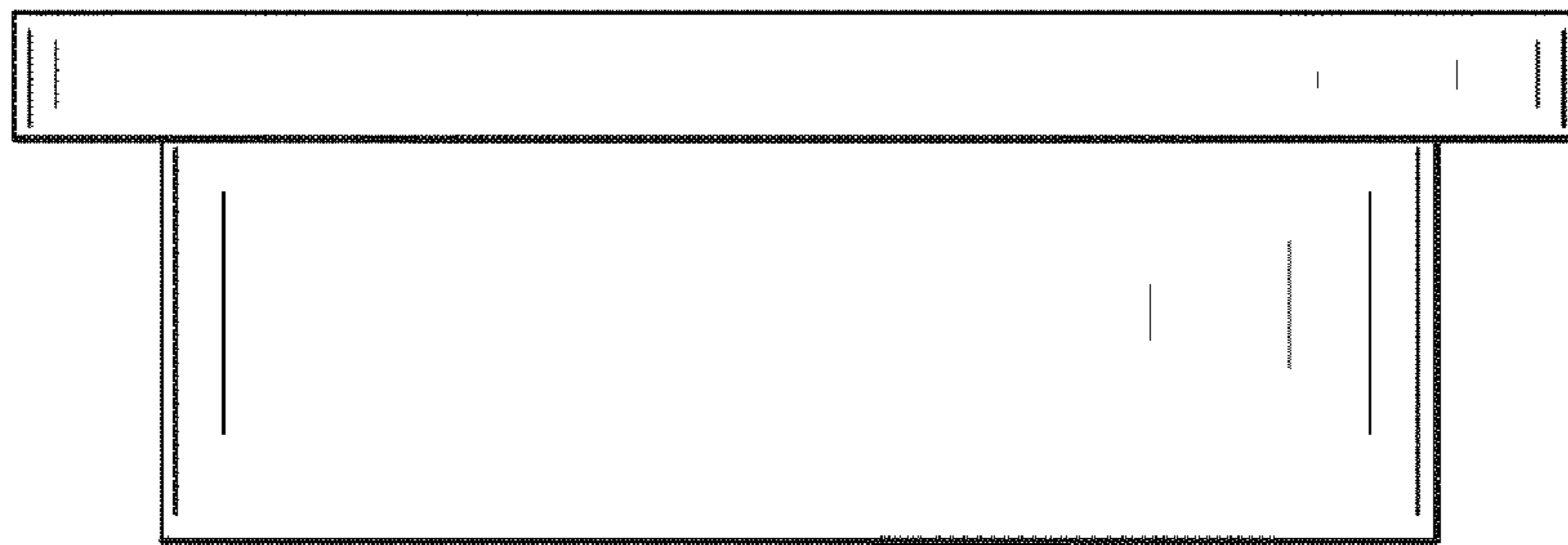


FIG. 3

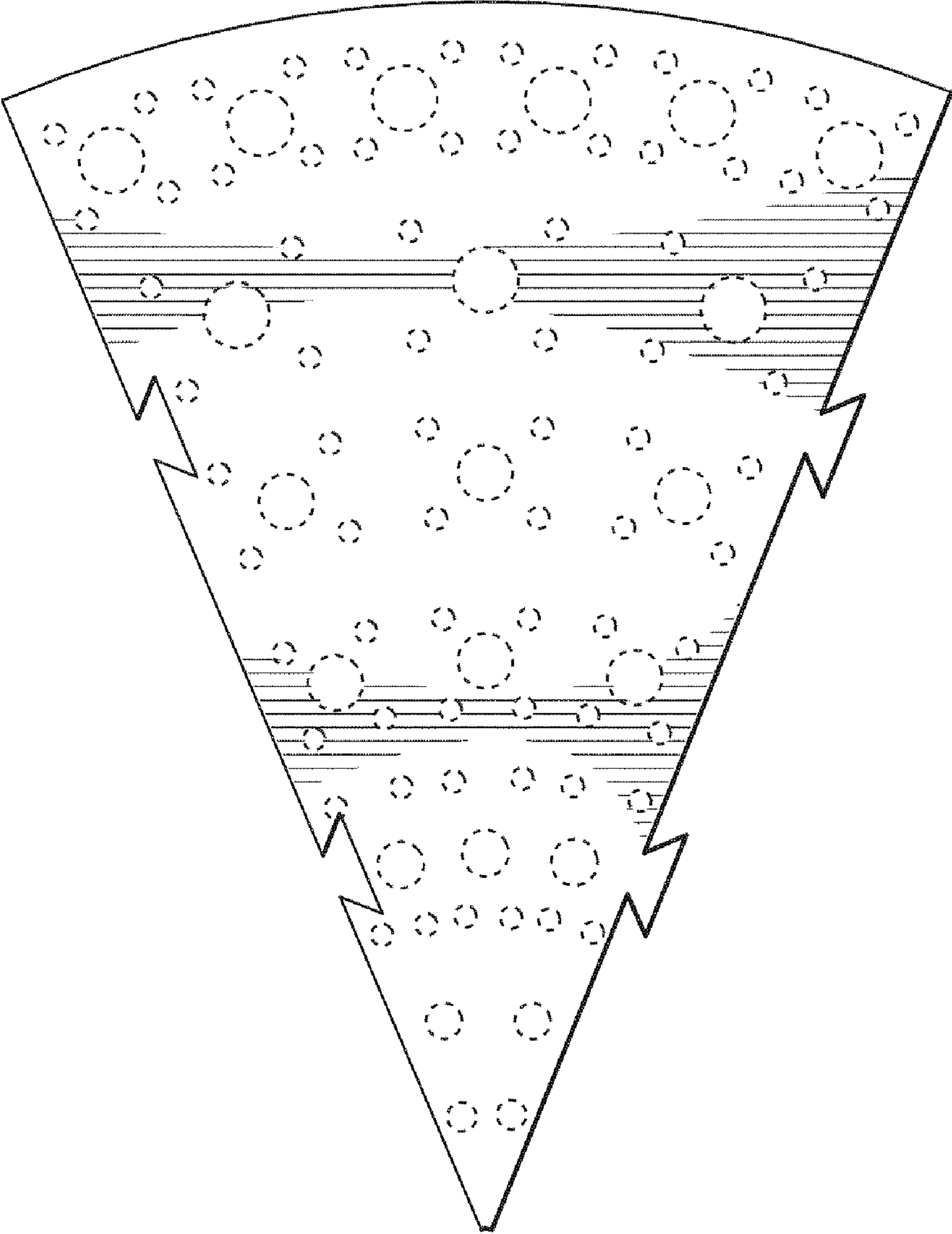


FIG. 4

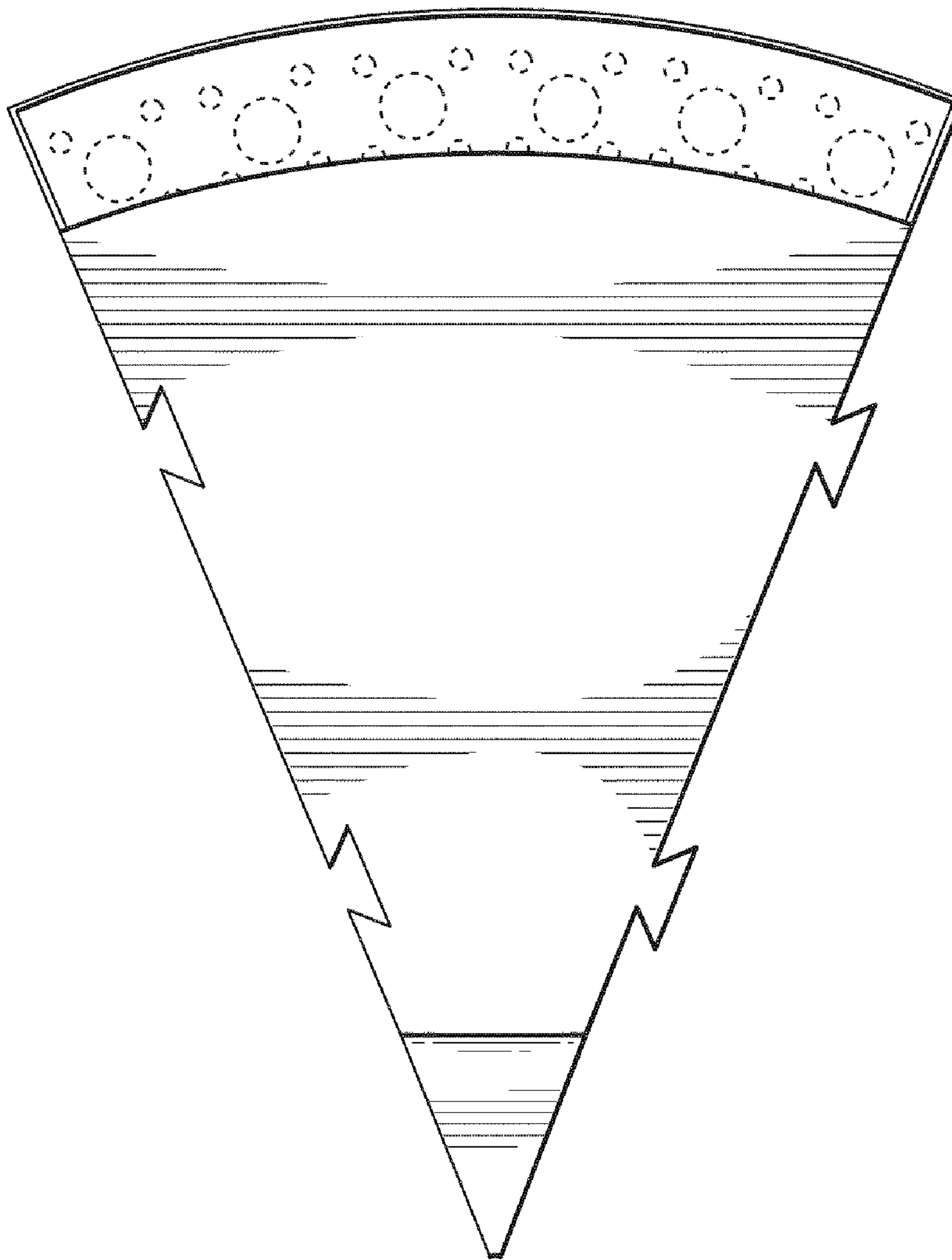


FIG. 5

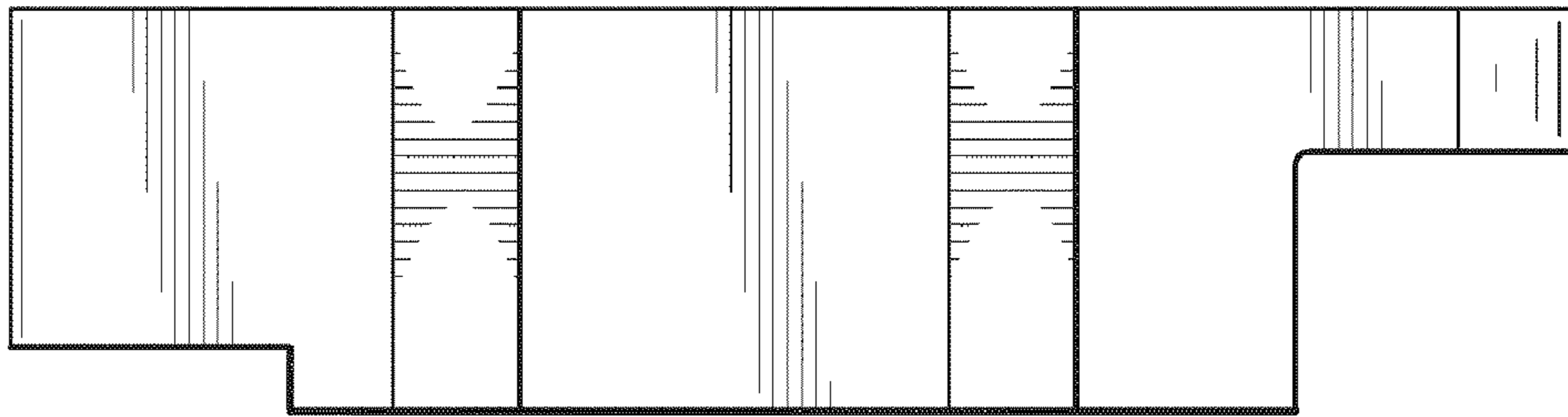


FIG. 6

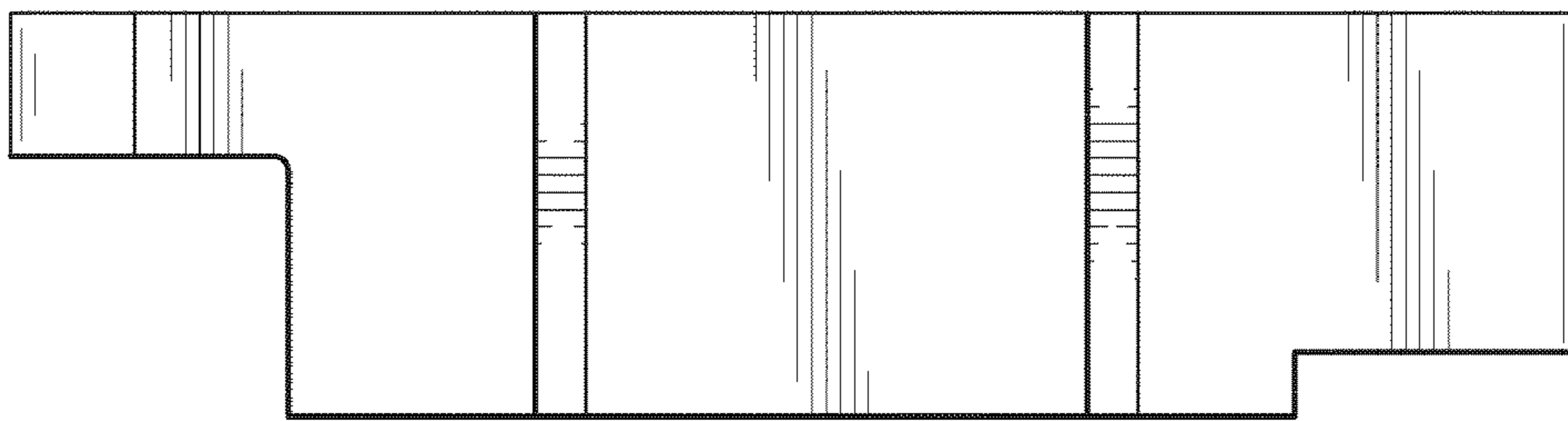


FIG. 7

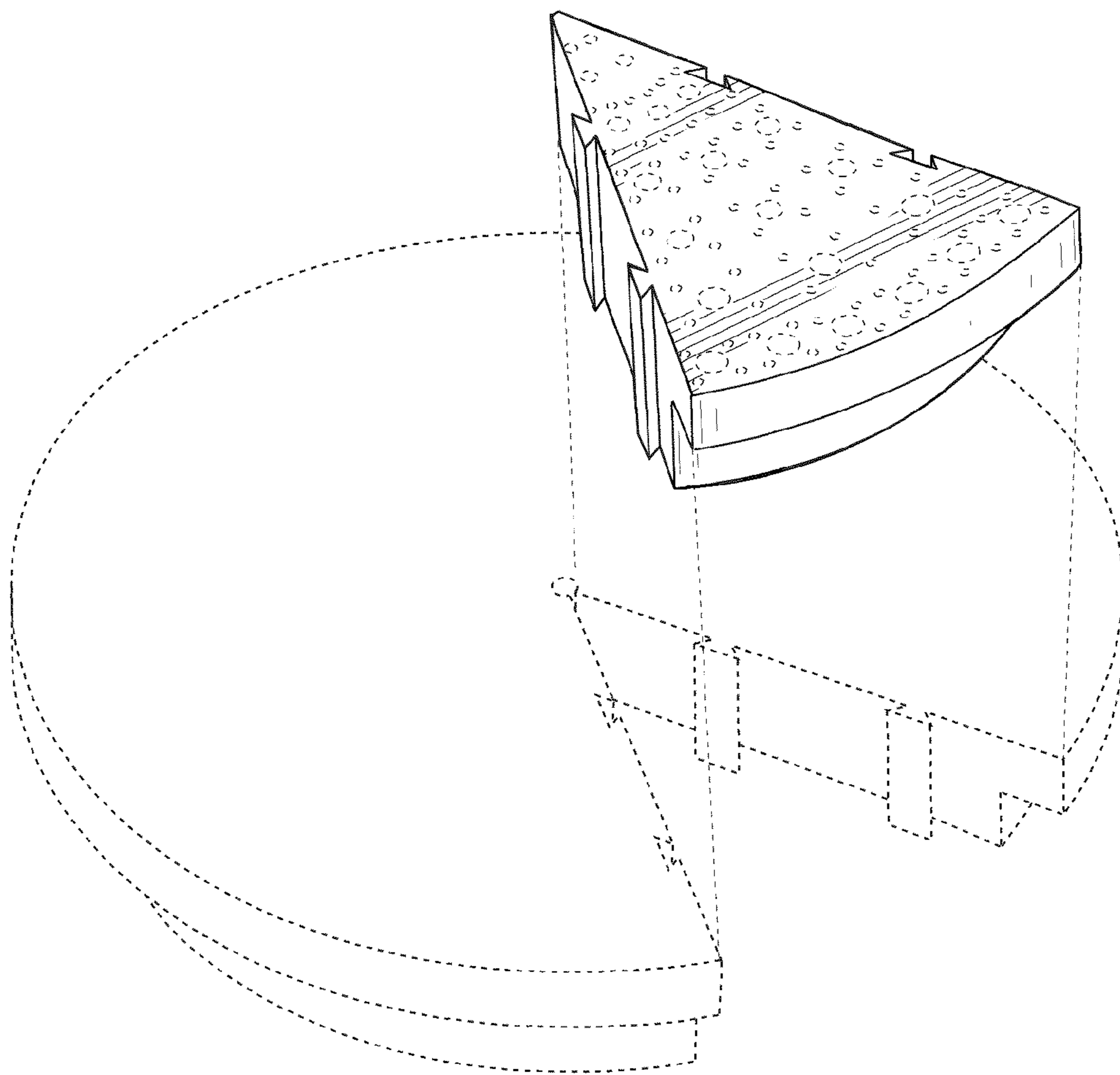


FIG. 8

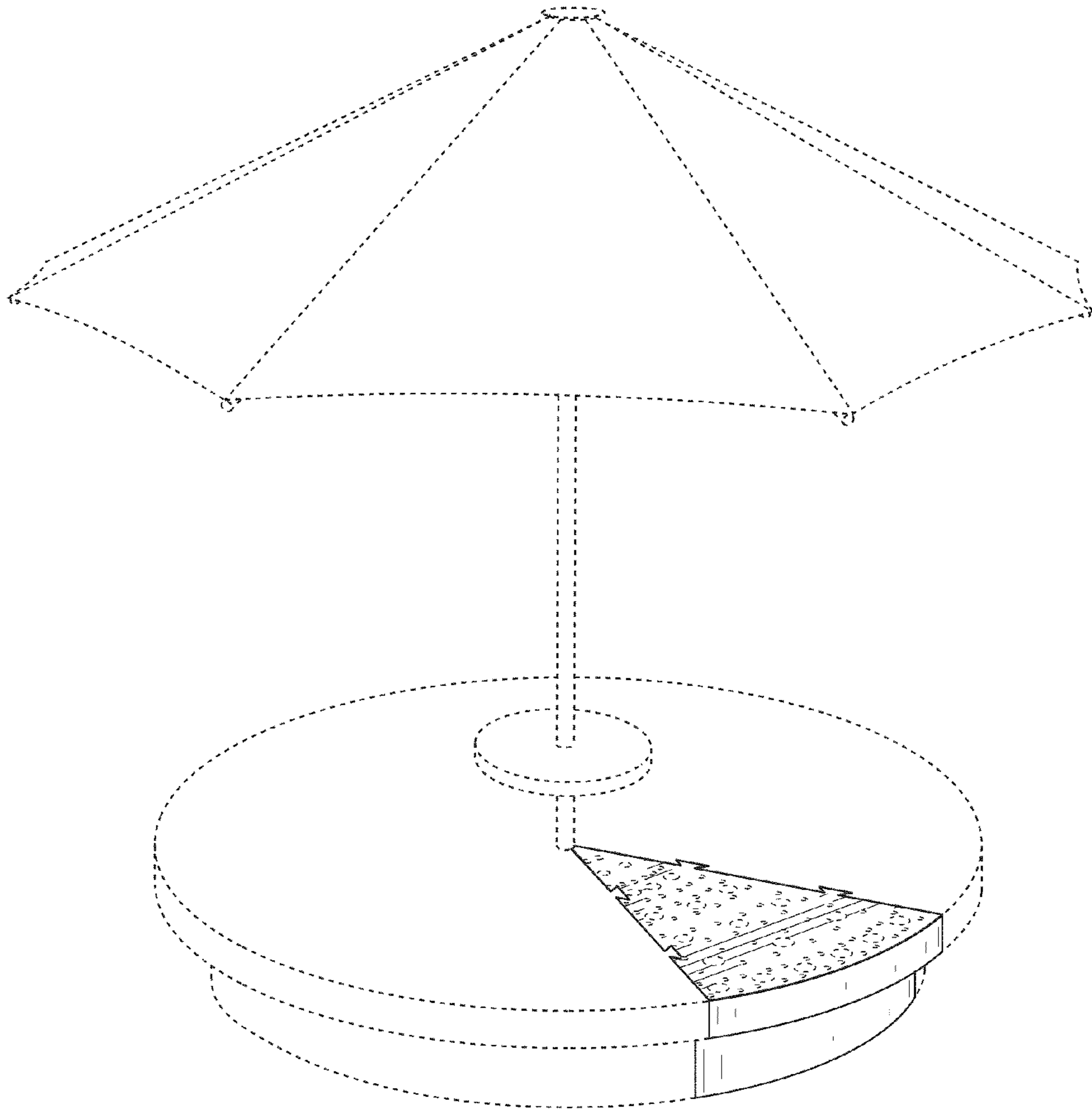


FIG. 9