



US00D644440S

(12) **United States Design Patent**
Rennette

(10) **Patent No.:** **US D644,440 S**

(45) **Date of Patent:** **** Sep. 6, 2011**

(54) **HAIR BRUSH**

(76) Inventor: **Jean Rennette**, Walnut Creek, CA (US)

(**) Term: **14 Years**

(21) Appl. No.: **29/385,166**

(22) Filed: **Feb. 9, 2011**

(51) **LOC (9) Cl.** **04-02**

(52) **U.S. Cl.** **D4/116; D4/128**

(58) **Field of Classification Search** D4/116,
D4/128, 133, 138; D28/10, 25, 35, 37; 15/27,
15/143.1, 159.1, 160, 186-188, 206; 132/120,
132/262, 270, 271, 313

See application file for complete search history.

(56) **References Cited**

U.S. PATENT DOCUMENTS

D251,517 S *	4/1979	Baudon	D4/128
D422,793 S *	4/2000	Levin et al.	D4/127
D473,718 S *	4/2003	Park	D4/128
D479,916 S *	9/2003	Park	D4/128
D510,192 S *	10/2005	Kampel et al.	D4/128
D555,907 S *	11/2007	Rennette	D4/133
D557,015 S *	12/2007	Park	D4/116
D627,568 S *	11/2010	Rennette	D4/128

FOREIGN PATENT DOCUMENTS

KR	177823 S *	5/1996
KR	30-0315214 S *	1/2003

* cited by examiner

Primary Examiner — Melanie H Tung

Assistant Examiner — Lavone D Tabor

(74) *Attorney, Agent, or Firm* — Stoneman Law Patent Group; Martin L. Stoneman

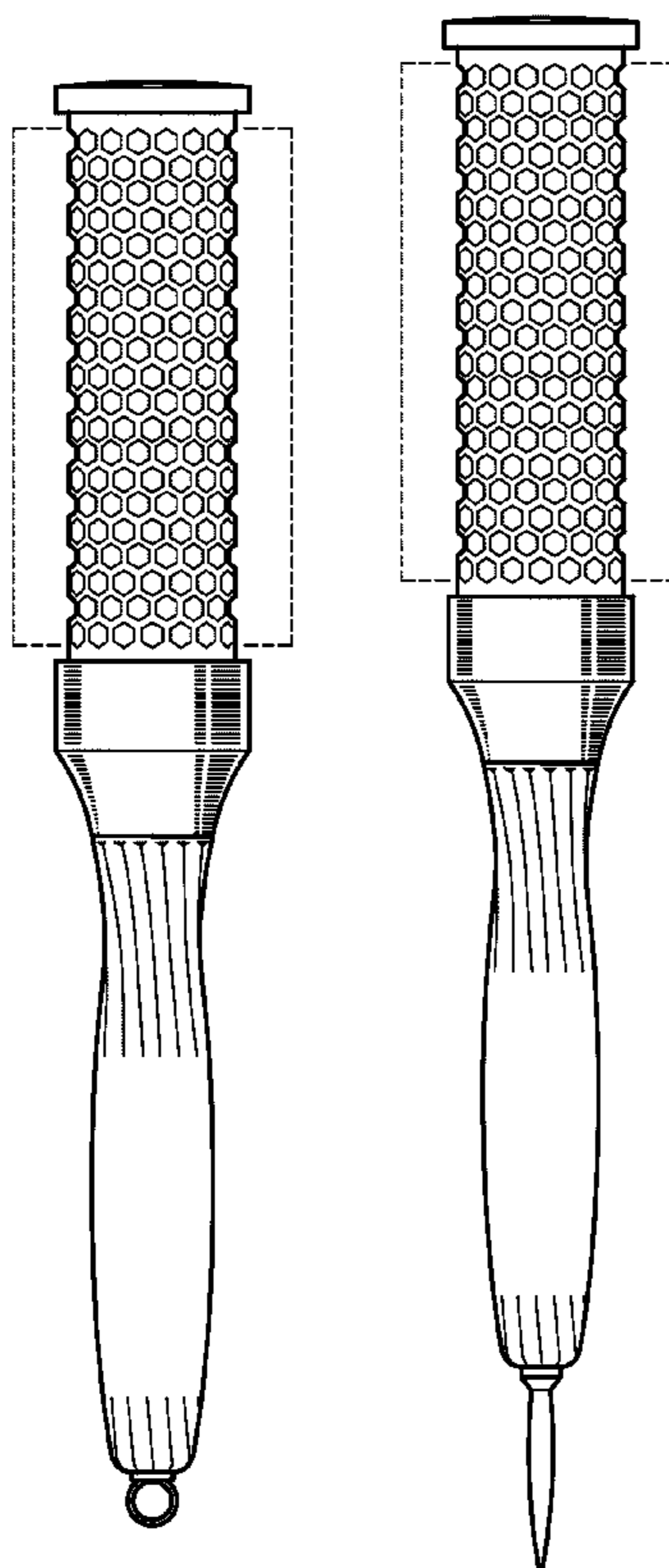
(57) **CLAIM**

The ornamental design for a hair brush, as shown and described.

DESCRIPTION

FIG. 1 is a front elevational view of a hair brush showing my new design, the rear being a mirror image;
 FIG. 2 is a side elevational view thereof, the opposite side being a mirror image;
 FIG. 3 is a top view thereof;
 FIG. 4 is a bottom view thereof;
 FIG. 5 is front elevational view thereof showing an element of the handle in an alternate position;
 FIG. 6 is a side elevational view of the hair brush as shown in FIG. 5, the opposite side being a mirror image; and,
 FIG. 7 is a bottom view of the hair brush as shown in FIG. 5. The broken lines represent bristles and are included to illustrate environmental structure of the hair brush that forms not part of the claimed design.

1 Claim, 2 Drawing Sheets



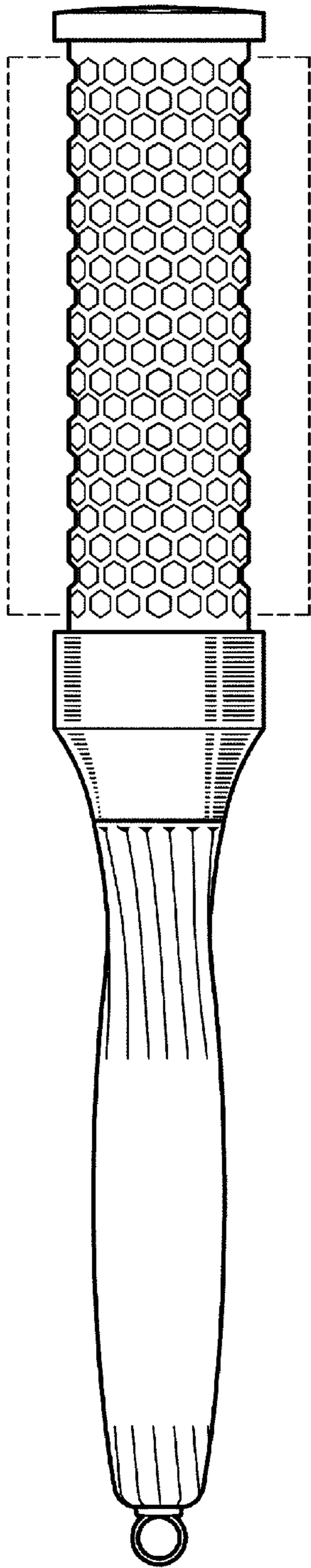


FIG. 1

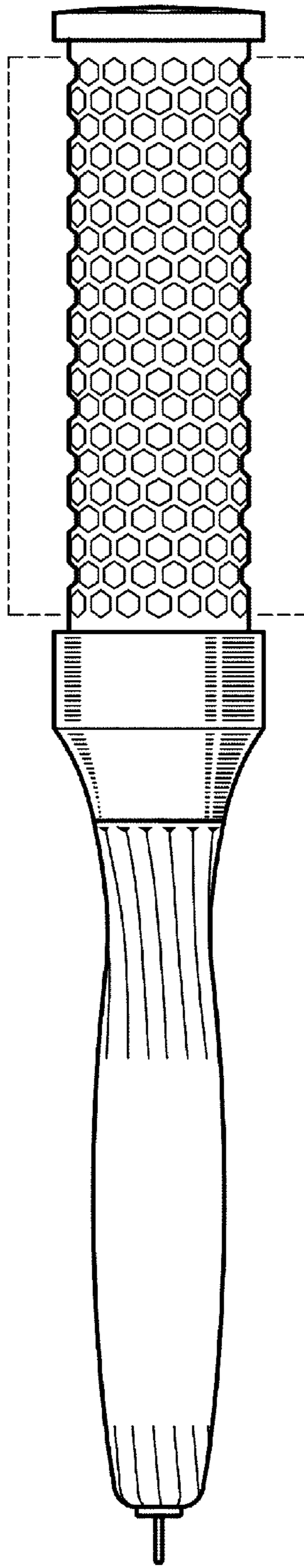


FIG. 2

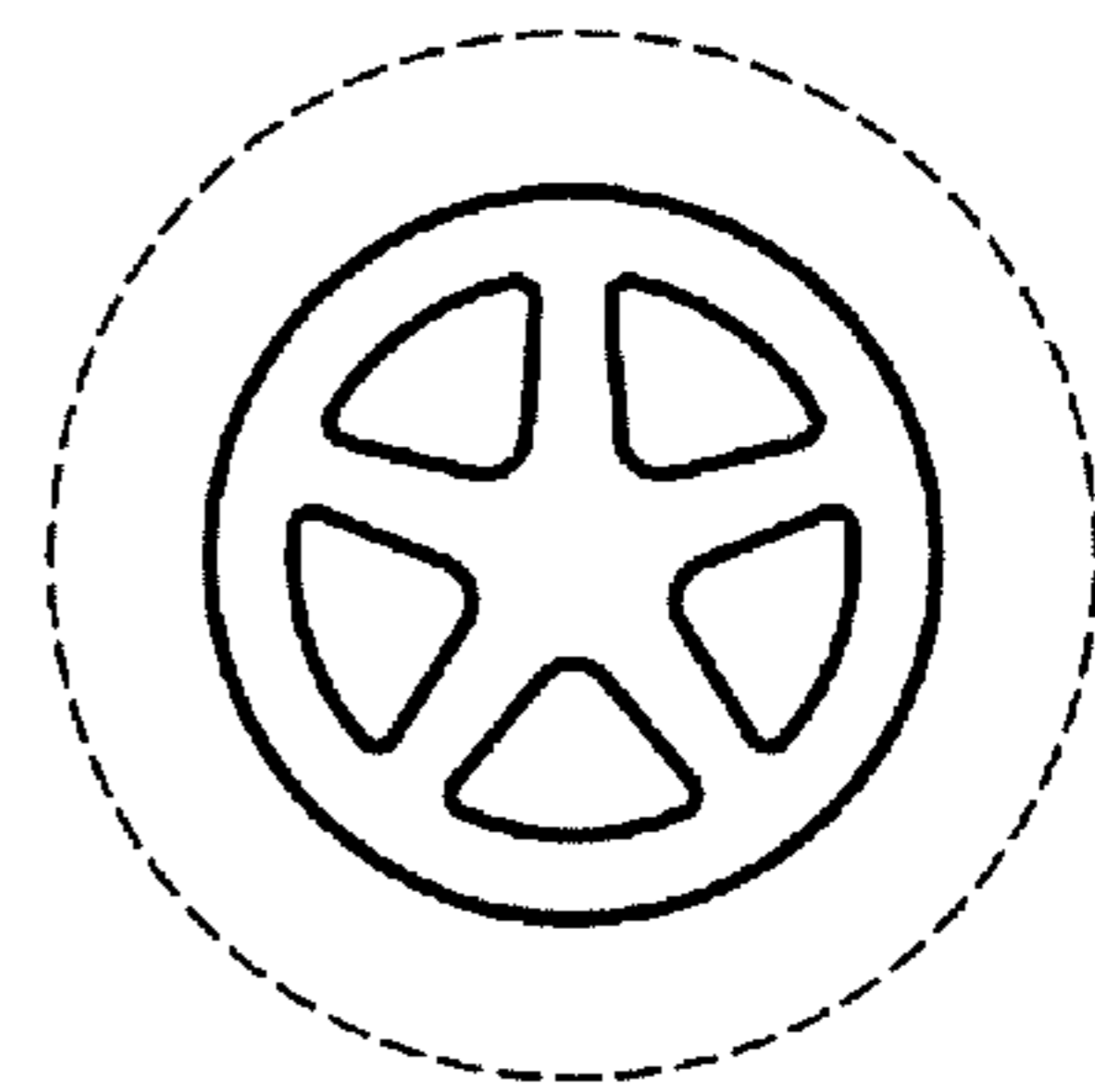


FIG. 3

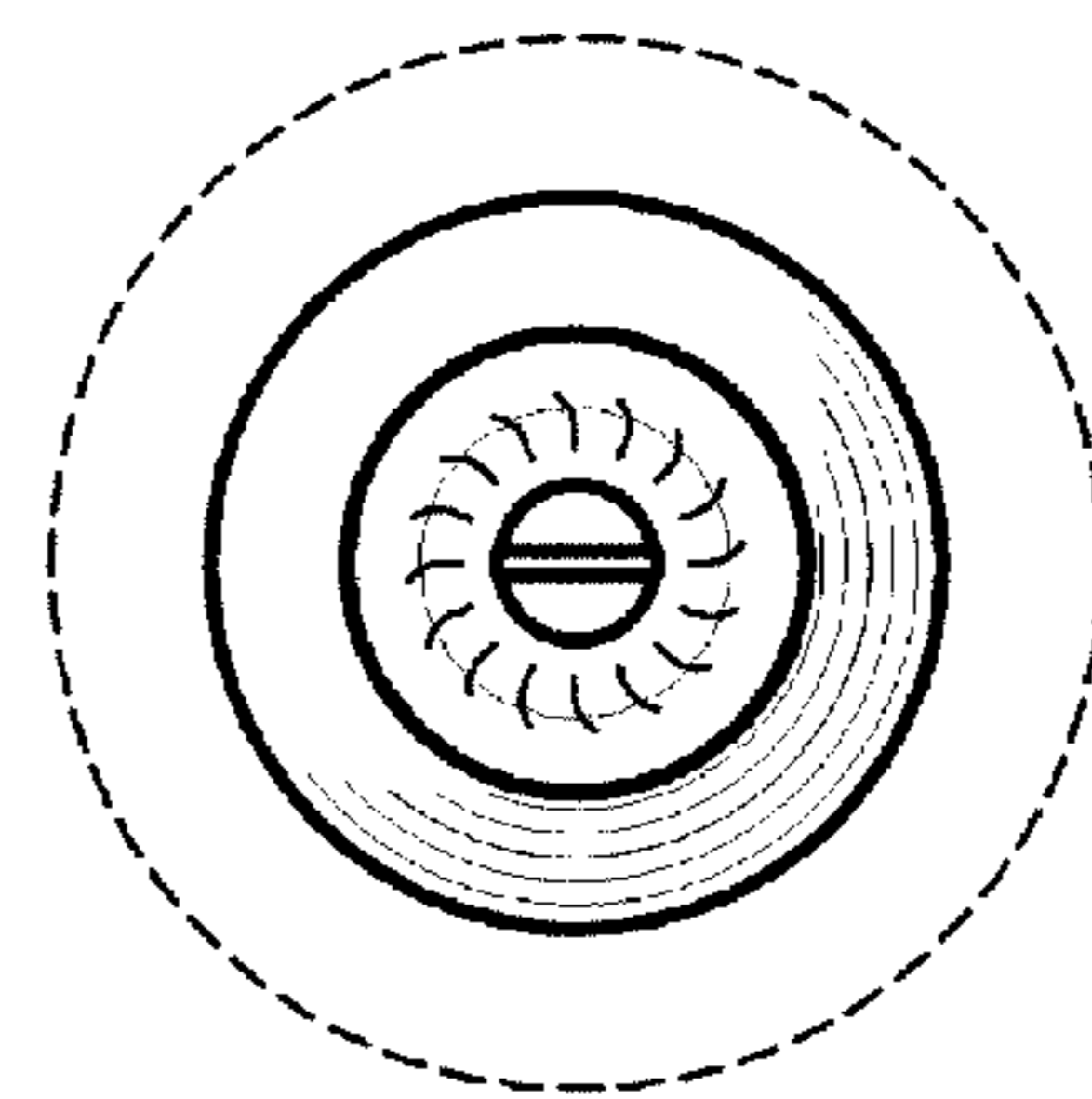


FIG. 4

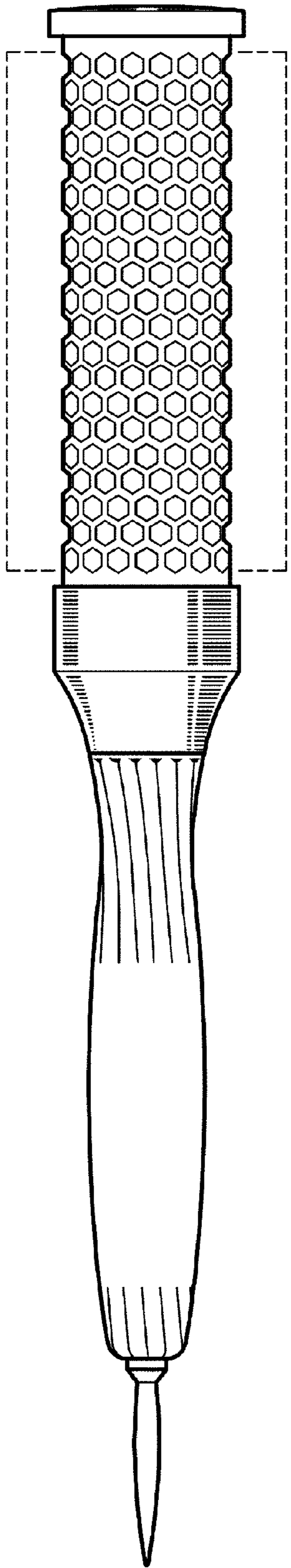


FIG. 5

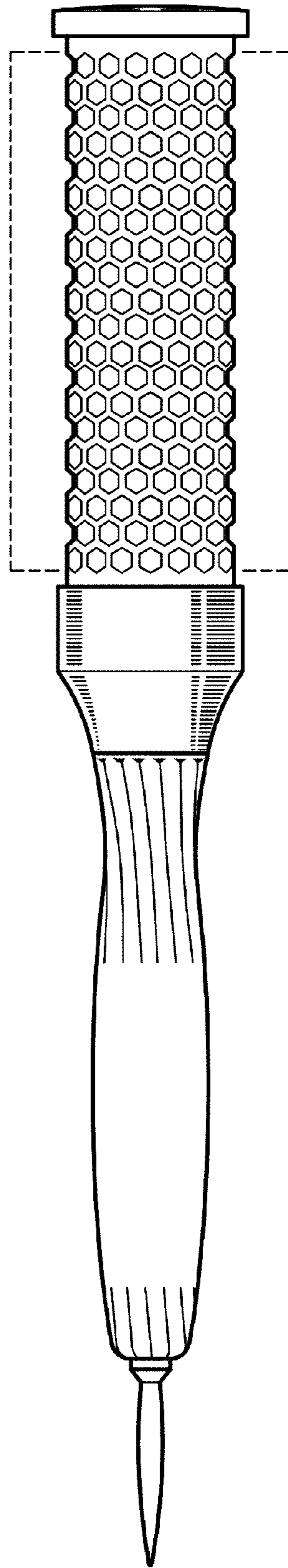


FIG. 6

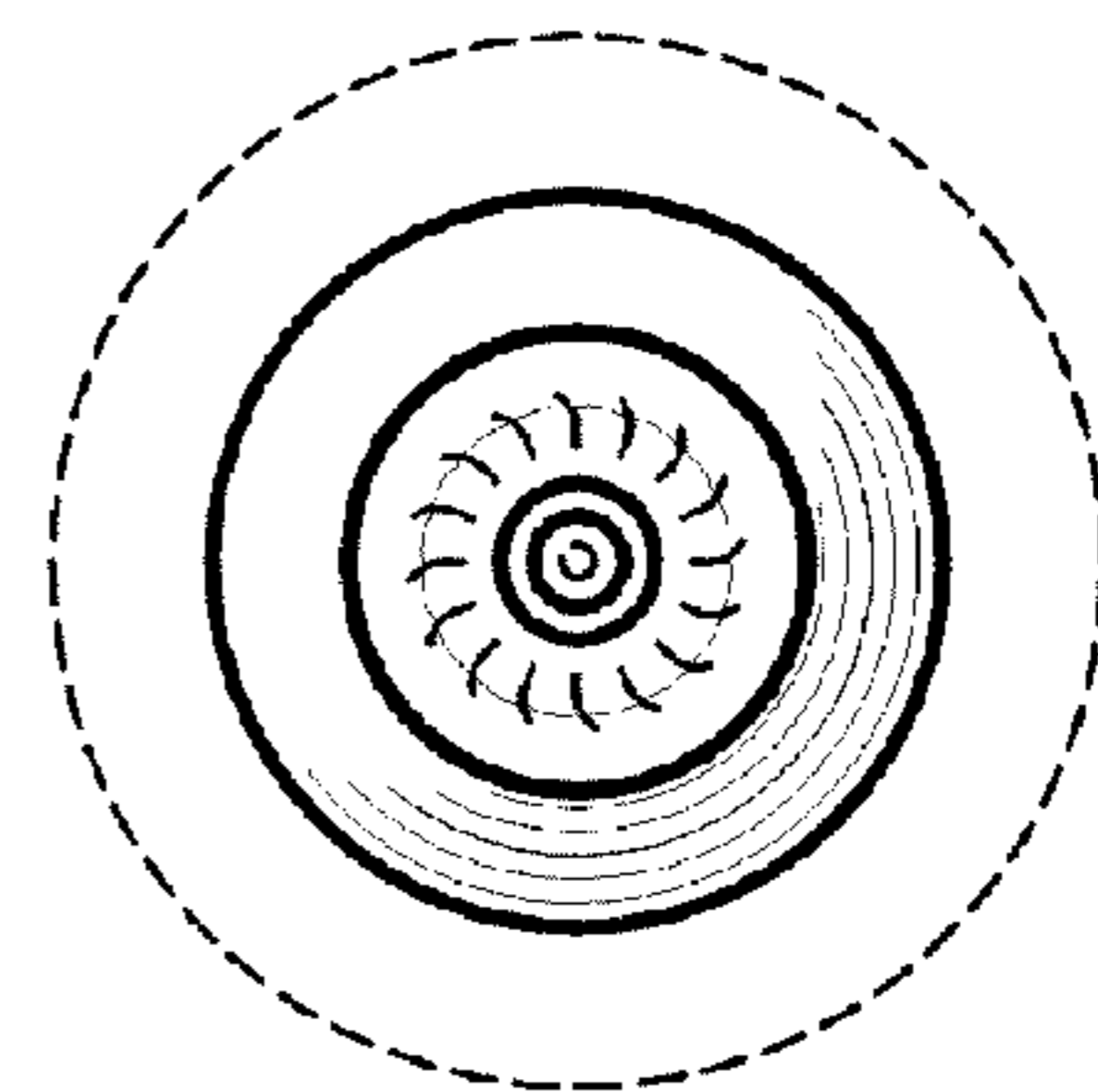


FIG. 7