

US00D644434S

(12) **United States Design Patent**
Miles et al.

(10) **Patent No.:** **US D644,434 S**

(45) **Date of Patent:** **** *Sep. 6, 2011**

(54) **LUGGAGE CASE**

D425,301 S * 5/2000 Sagol D3/279
D525,031 S * 7/2006 Miles et al. D3/279
D563,101 S * 3/2008 Kuchler D3/279

(75) Inventors: **Richard Miles**, London (GB); **Anthony Nicholas Pond**, London (GB)

OTHER PUBLICATIONS

(73) Assignee: **Samsonite IP Holdings S.a.r.l.**,
Luxembourg (LU)

Samsonite Termo Comfort. Downloaded Sep. 8, 2009 at <http://shop.samsonite.com/storefront/suitcases/28-quot-spinner/prod34721XXXX-cC05-.html>.*

(**) Term: **14 Years**

* cited by examiner

(21) Appl. No.: **29/328,554**

Primary Examiner — Adir Aronovich

(22) Filed: **Nov. 26, 2008**

Assistant Examiner — Roselynn Cody

(30) **Foreign Application Priority Data**

(74) *Attorney, Agent, or Firm* — Dorsey & Whitney LLP

Jun. 16, 2008 (EM) 000951454-0001

(51) **LOC (9) Cl.** **03-01**

(52) **U.S. Cl.** **D3/279; D3/294**

(58) **Field of Classification Search** D3/273,
D3/276, 279, 283, 289, 294–295, 321; 190/18 A,
190/100, 103–104, 107, 109, 111–113, 115–116,
190/119

See application file for complete search history.

(57) **CLAIM**

We claim the ornamental design for a luggage case, as shown and described.

(56) **References Cited**

DESCRIPTION

U.S. PATENT DOCUMENTS

D310,911 S * 10/1990 Takeuchi D3/279
D348,780 S * 7/1994 Masaru D3/279
D351,282 S * 10/1994 Masaru D3/279
D383,603 S * 9/1997 Pedlar D3/279
D422,409 S * 4/2000 Klenner et al. D3/279

FIG. 1 is a front perspective view of a luggage case showing my new design,.

FIG. 2 is a front elevational elevation view thereof.

FIG. 3 is a back view thereof.

FIG. 4 is a right side view thereof.

FIG. 5 is a left side view thereof.

FIG. 6 is a top view thereof; and,

FIG. 7 is a bottom view thereof.

The broken lines in FIGS. 1-7 illustrate portions of the design that form no part of the claim.

1 Claim, 3 Drawing Sheets

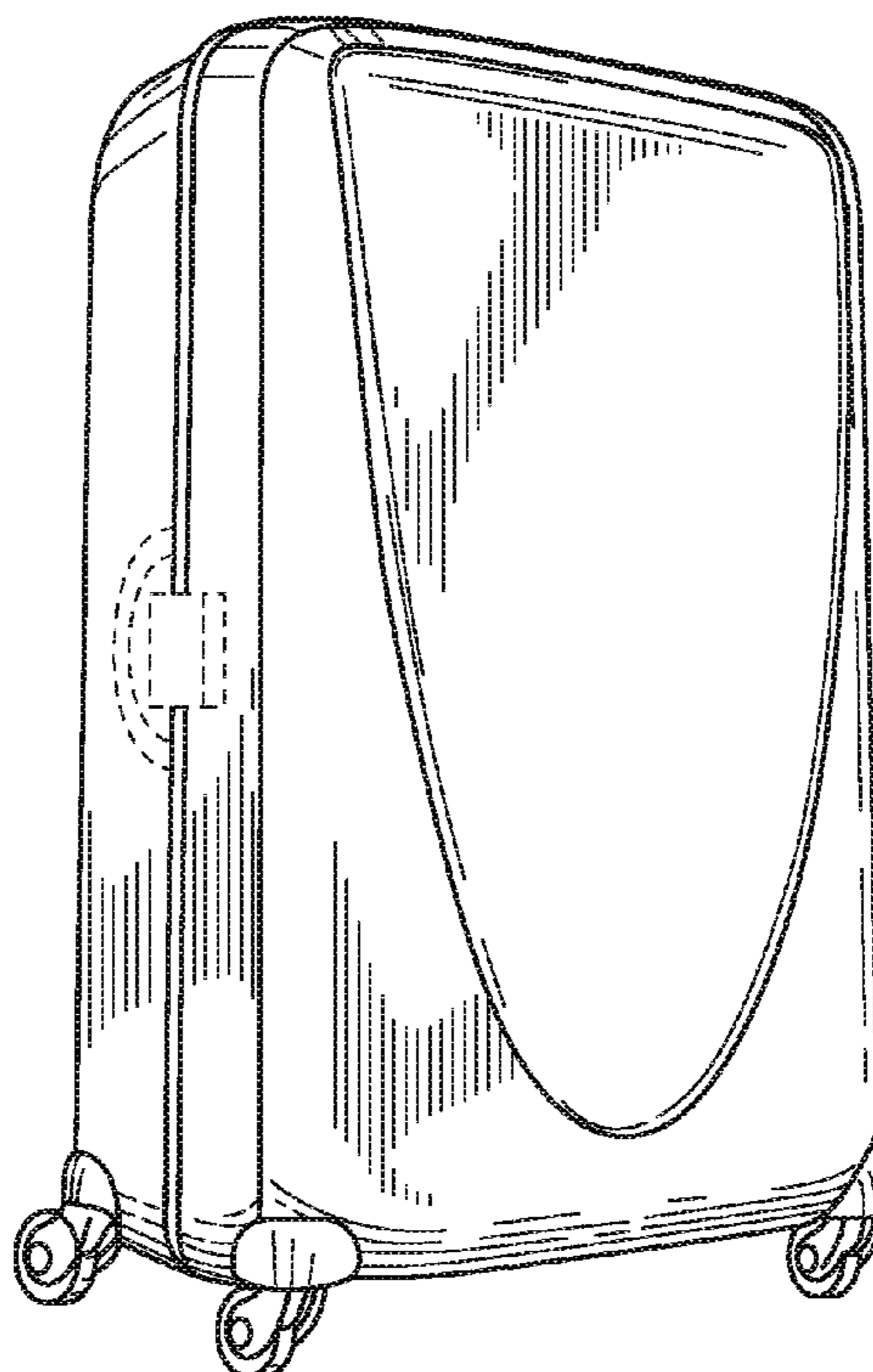


FIG.1

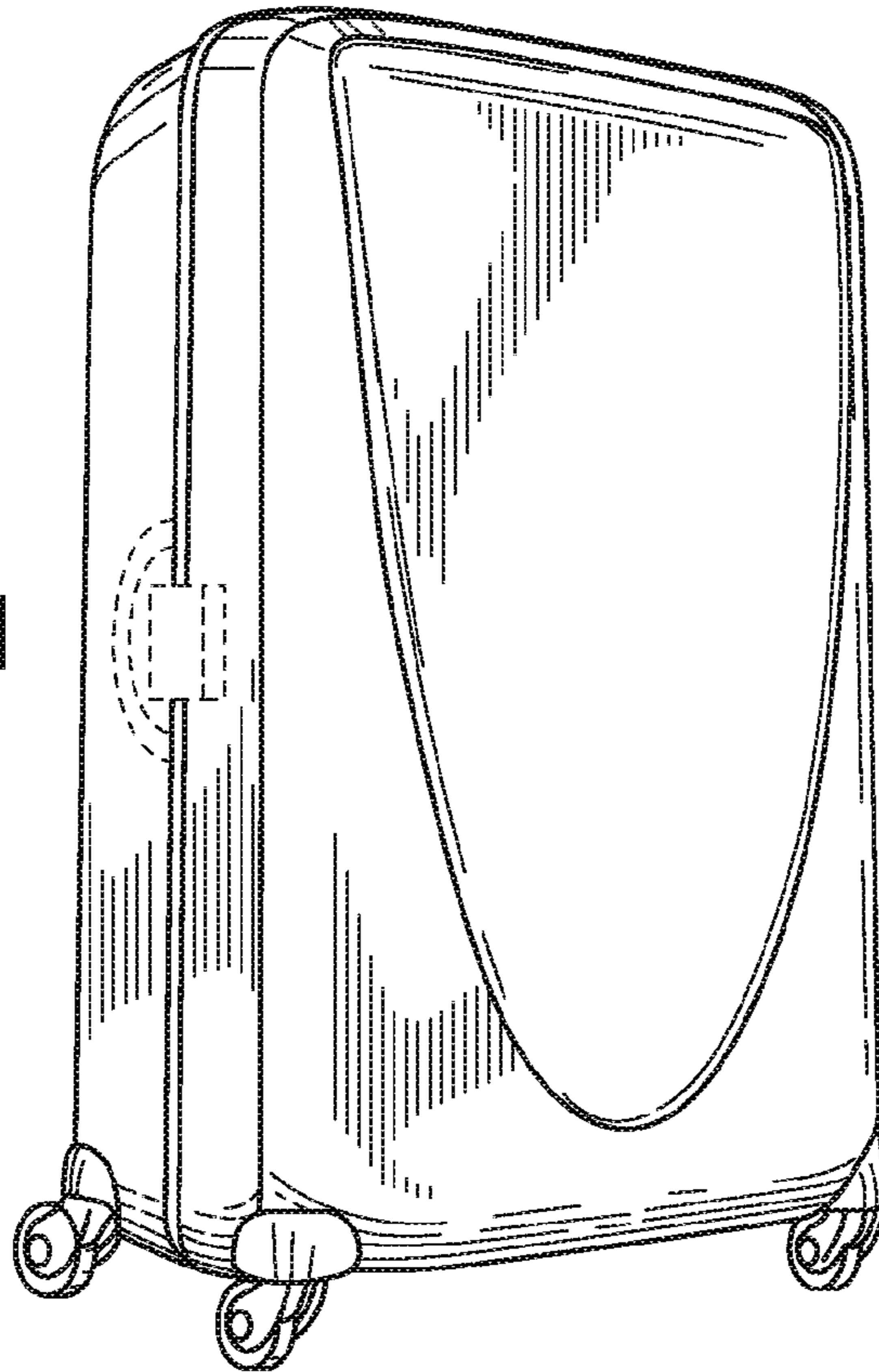


FIG.2

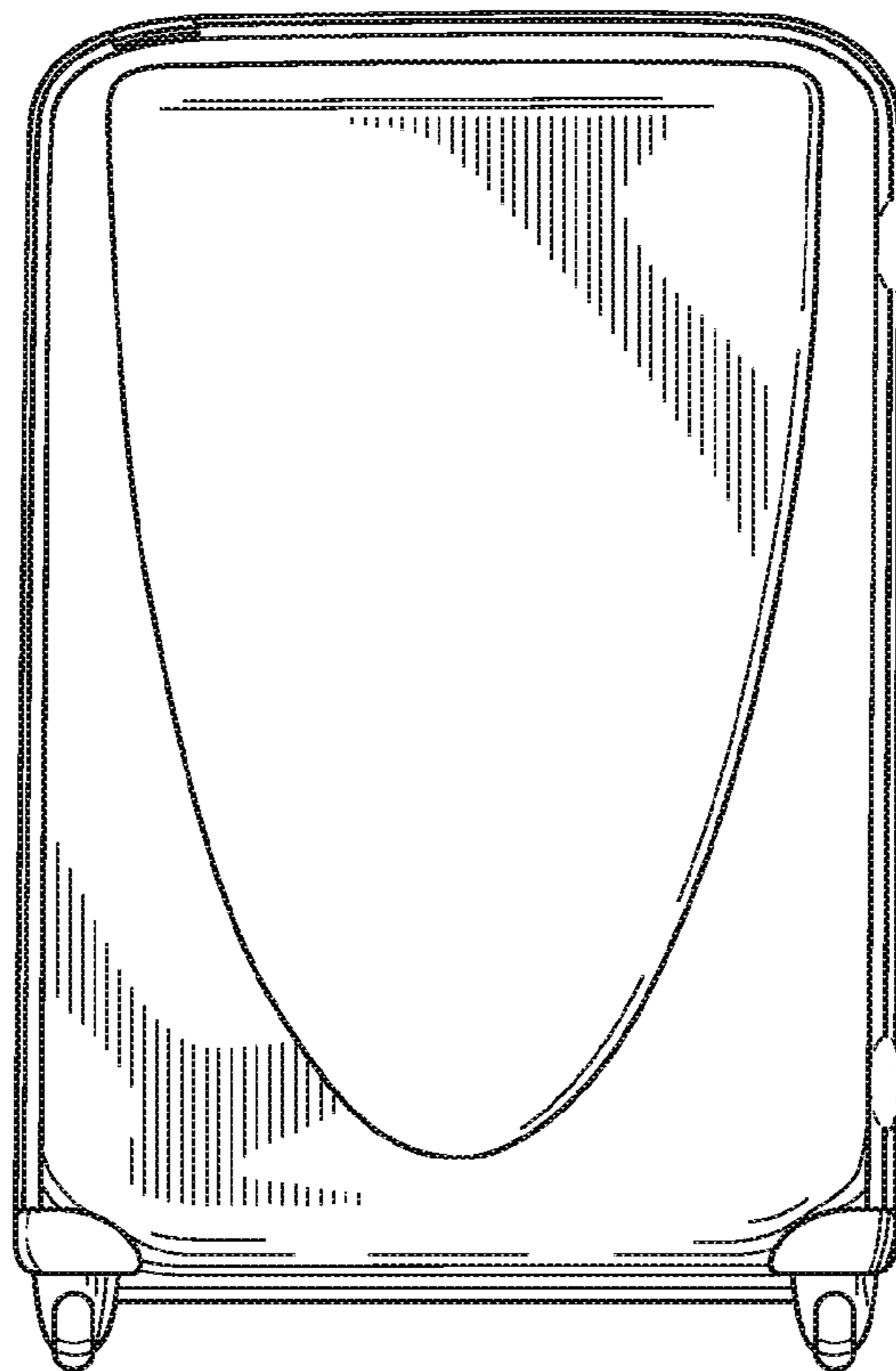


FIG.3

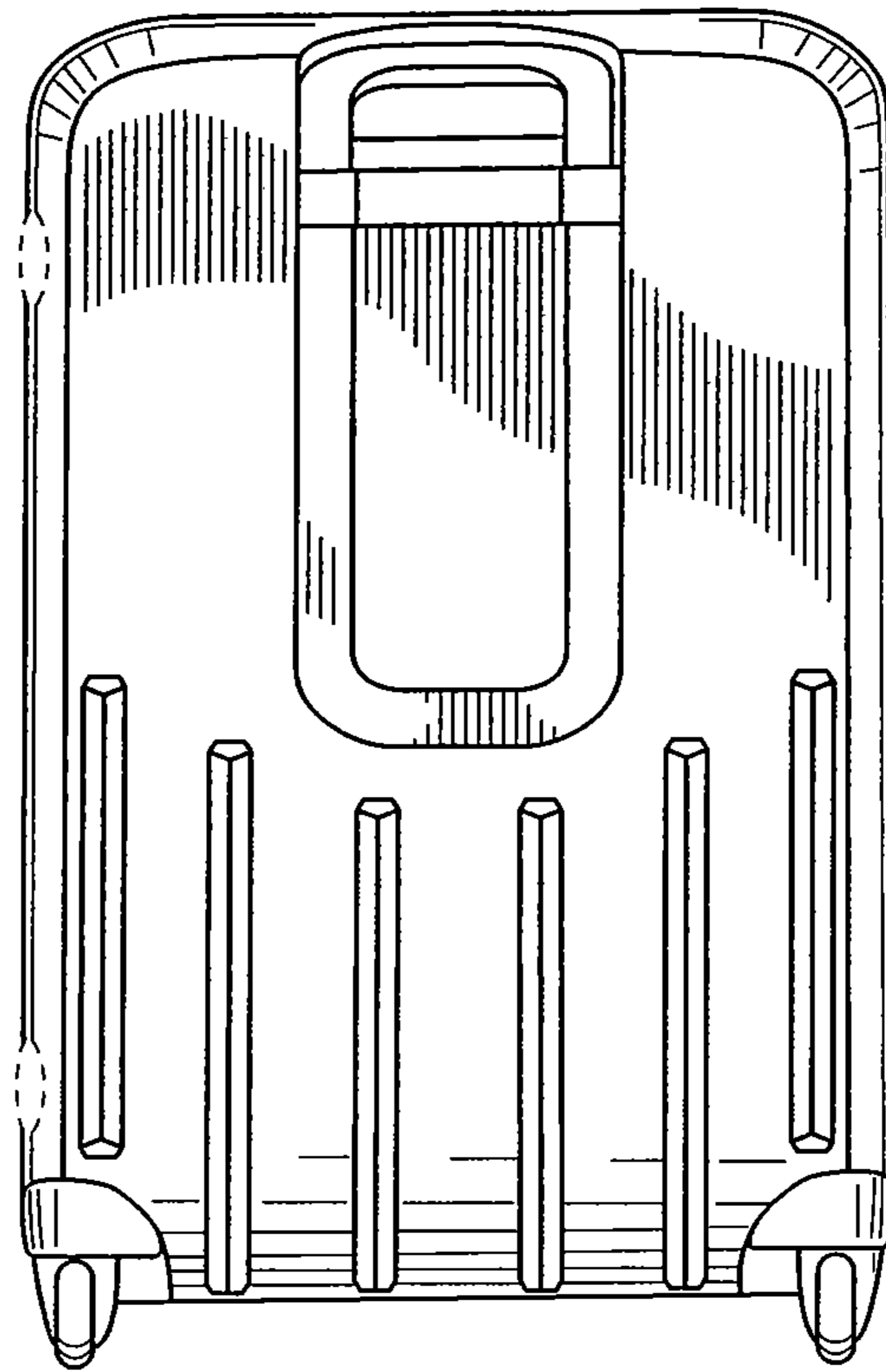


FIG.4

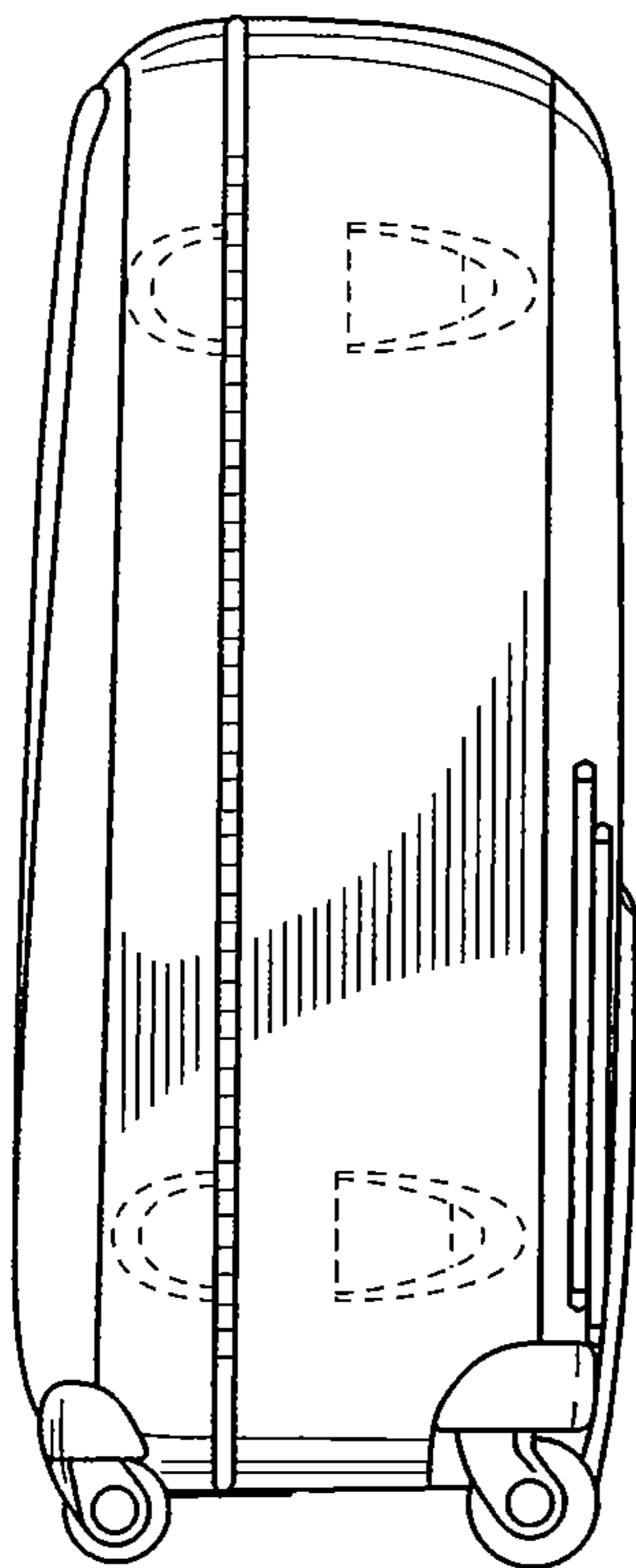
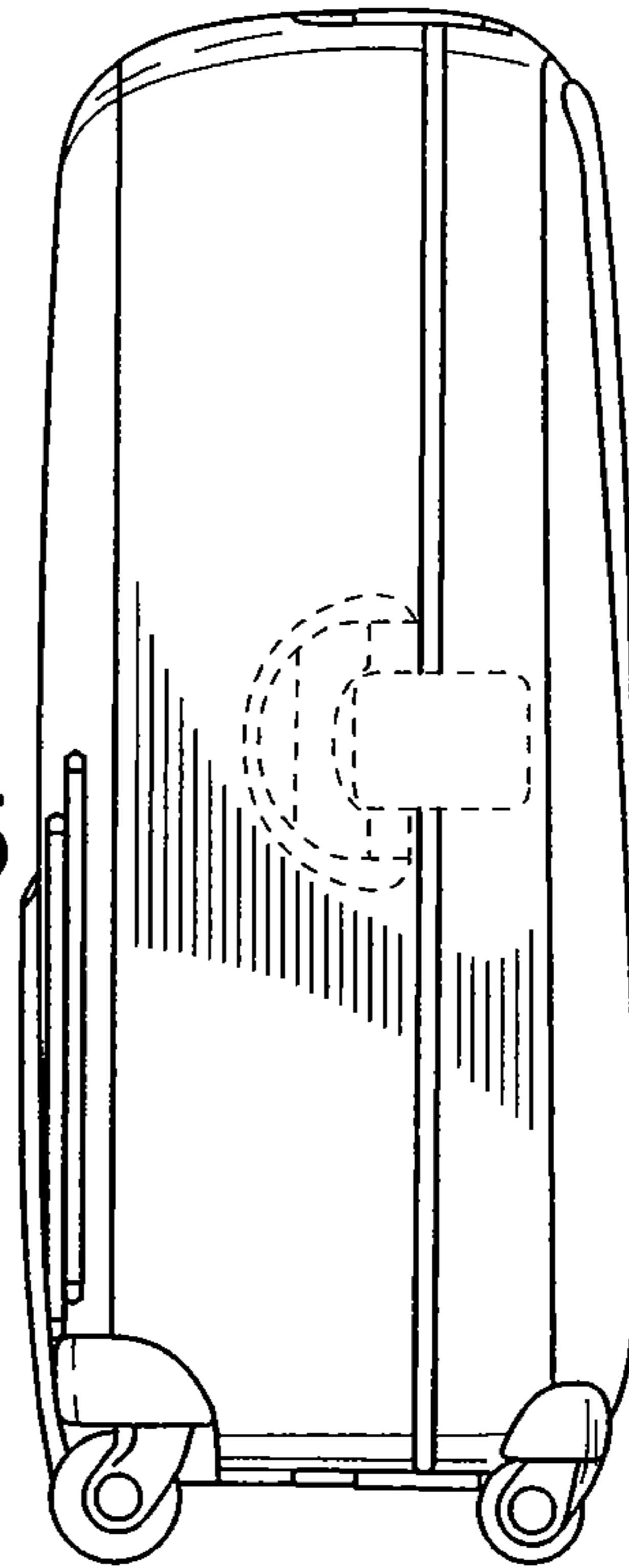


FIG.5



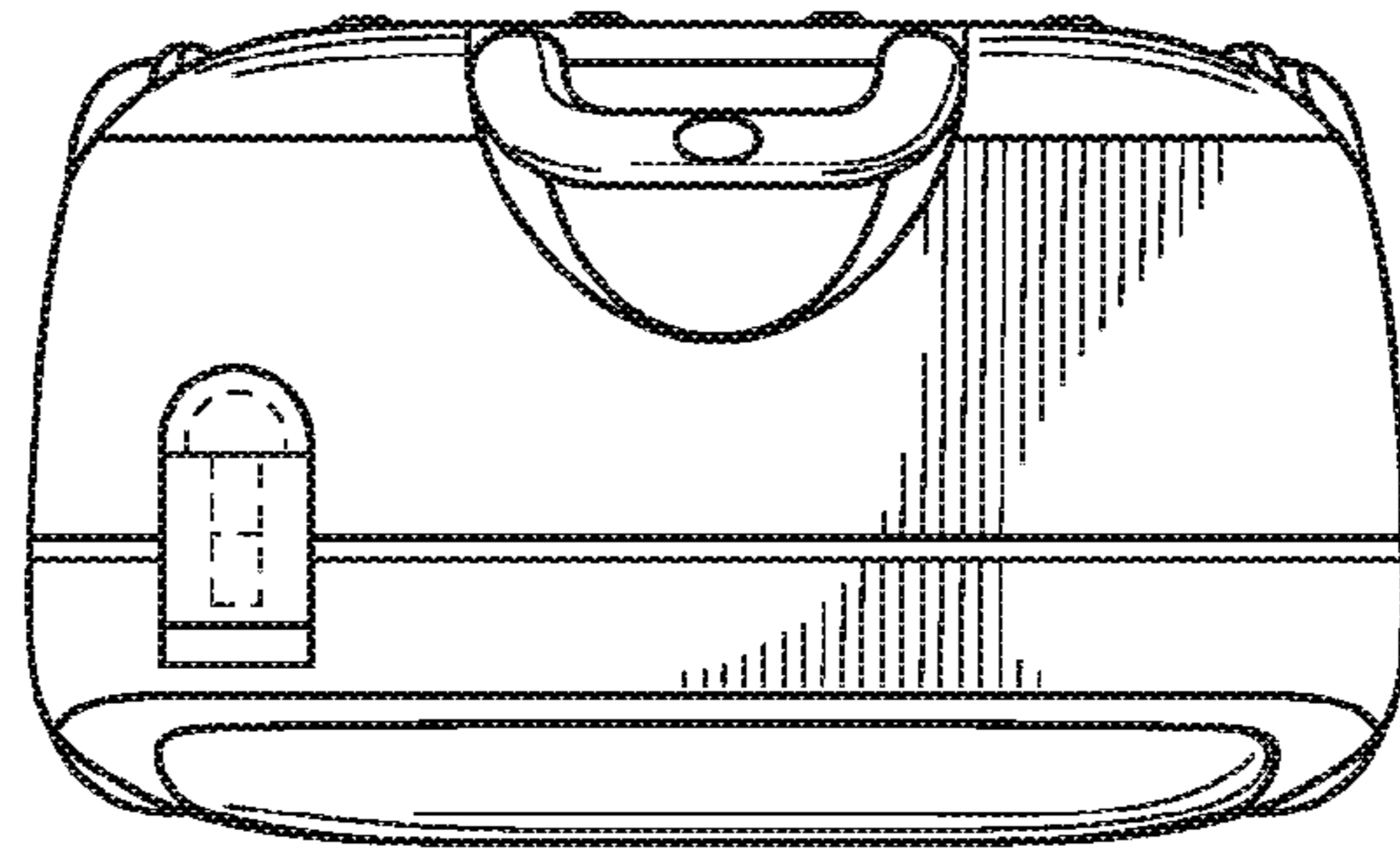


FIG. 6

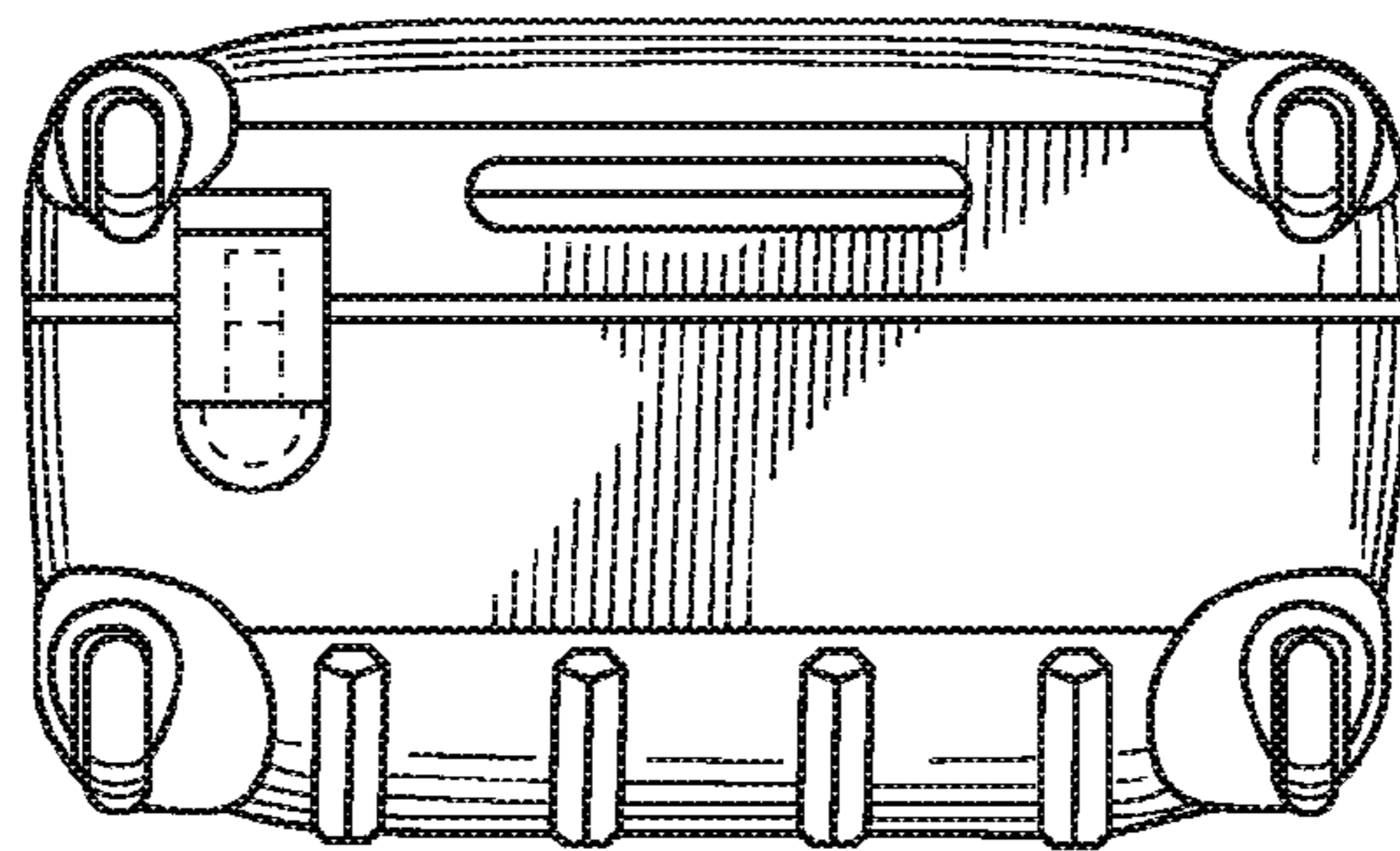


FIG. 7

UNITED STATES PATENT AND TRADEMARK OFFICE
CERTIFICATE OF CORRECTION

PATENT NO. : D644,434 S
APPLICATION NO. : 29/328554
DATED : September 6, 2011
INVENTOR(S) : Richard Miles et al.

Page 1 of 1

It is certified that error appears in the above-identified patent and that said Letters Patent is hereby corrected as shown below:

On the Title page, Item (57), DESCRIPTION, FIG. 2, delete “elevational”.

Signed and Sealed this
Sixth Day of December, 2011

A handwritten signature in black ink that reads "David J. Kappos". The signature is written in a cursive style with a large initial 'D' and 'K'.

David J. Kappos
Director of the United States Patent and Trademark Office