



US00D644433S

(12) **United States Design Patent**  
**Dichter et al.**

(10) **Patent No.:** **US D644,433 S**  
(45) **Date of Patent:** **\*\* Sep. 6, 2011**

(54) **COMPACT SKI CARRIER**

(75) Inventors: **Ziv Dichter**, Moshav Benaya (IL);  
**Omer Ashkenazi**, Kfar Givion (IL)

(73) Assignees: **Omer Ashkenazi**, Gibbton (IL); **Ziv Dichter**, Gibbton (IL)

(\*\*) Term: **14 Years**

(21) Appl. No.: **29/351,770**

(22) Filed: **Dec. 11, 2009**

(51) **LOC (9) Cl.** ..... **03-01**

(52) **U.S. Cl.** ..... **D3/259**

(58) **Field of Classification Search** ..... D3/254,  
D3/259, 261; 294/147

See application file for complete search history.

(56) **References Cited**

U.S. PATENT DOCUMENTS

D427,769 S \* 7/2000 Zimmerman ..... D3/302  
D564,755 S \* 3/2008 Sellers et al. .... D3/261

\* cited by examiner

*Primary Examiner* — Holly Baynham

(57) **CLAIM**

We claim the ornamental design for a compact ski carrier, as shown and described.

**DESCRIPTION**

FIG. 1: Perspective view of the compact ski device in the compact formation;

FIG. 2: Front face on view of the compact ski device in the compact formation;

FIG. 3: Top view of the compact ski device in the compact formation;

FIG. 4: End side view along the length of the compact ski device in the compact formation;

FIG. 5: Perspective view of the compact ski device in an intermediate transition formation in going from compact formation to expanded formation;

FIG. 6: Top view of the compact ski device in an intermediate transition formation in going from compact formation to expanded formation;

FIG. 7: Perspective view of the compact ski device in an intermediate expanded formation;

FIG. 8: End side view along the length of the compact ski device in an intermediate expanded formation;

FIG. 9: Front face on view of the compact ski device in an intermediate expanded formation;

FIG. 10: Top view of the compact ski device in an intermediate expanded formation;

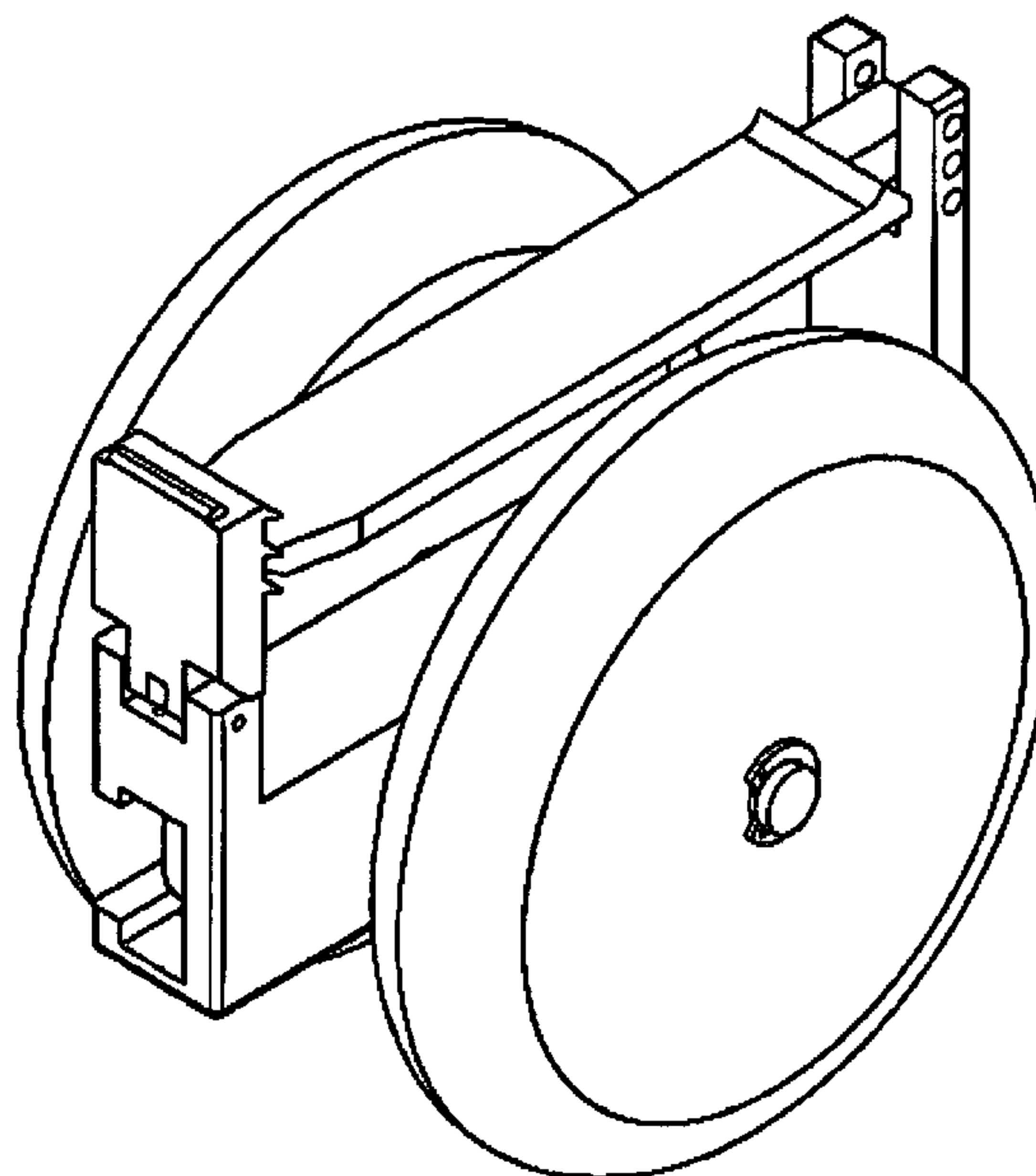
FIG. 11: Perspective view of the compact ski device in the expanded formation;

FIG. 12: Top view of the compact ski device in the expanded formation; and,

FIG. 13: Front face on view of the compact ski device in the expanded formation.

The claimed compact ski carrier is a compact collapsible wheeled assembly having compact, intermediate and expanded formations. The claimed compact ski carries in the expanded formation allows a skier to transport, wheel, push, pull and/or carry skis while the skis are being transported over ground. The claimed compact ski carrier also allows a user to store the compact ski carrier device in its compact formation for ease of storage for example while skiing. The intermediate formation of the claimed device allows a user to interchange between the compact and the expanded formation.

**1 Claim, 12 Drawing Sheets**



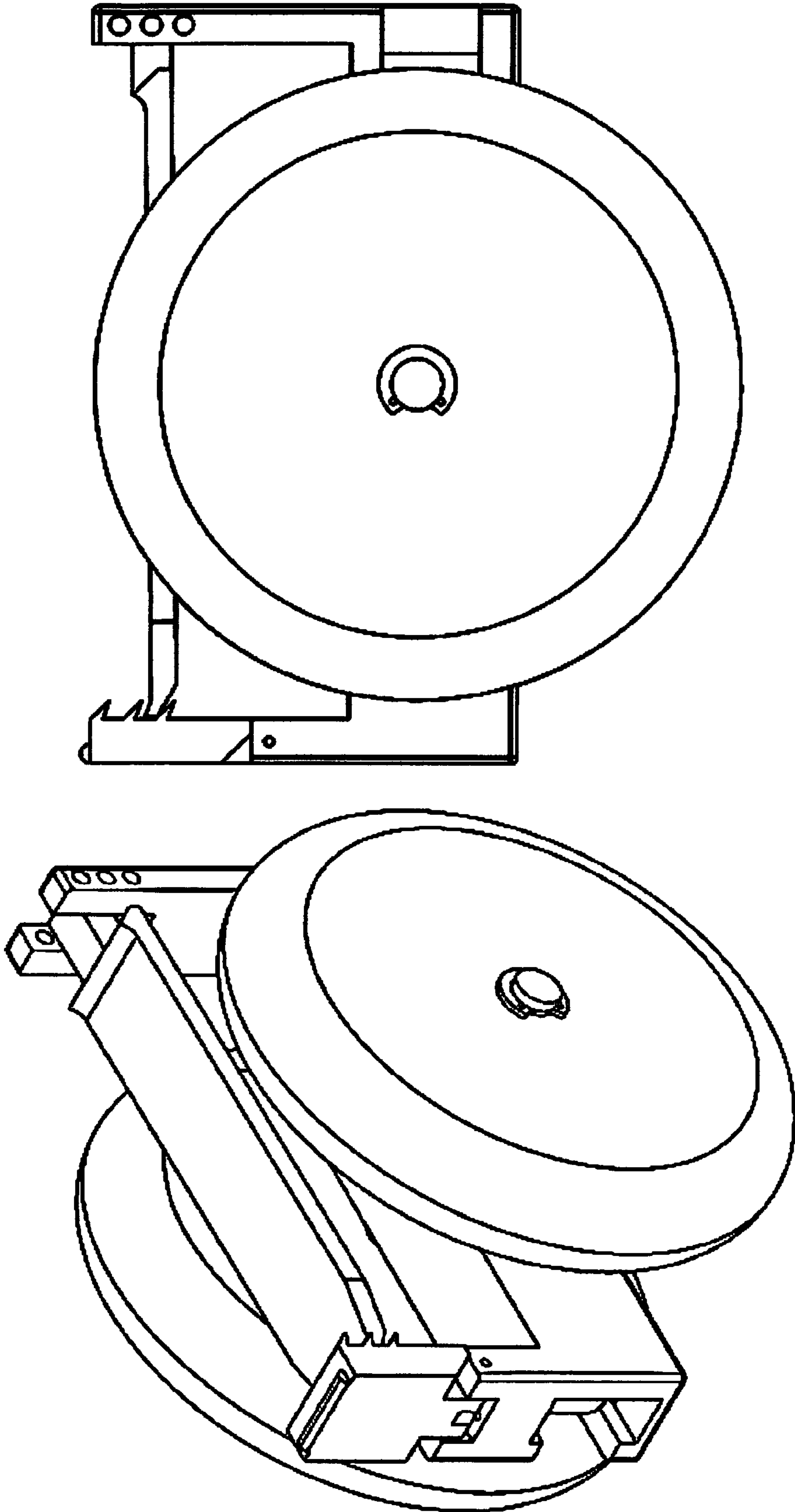


FIG. 2

FIG. 1

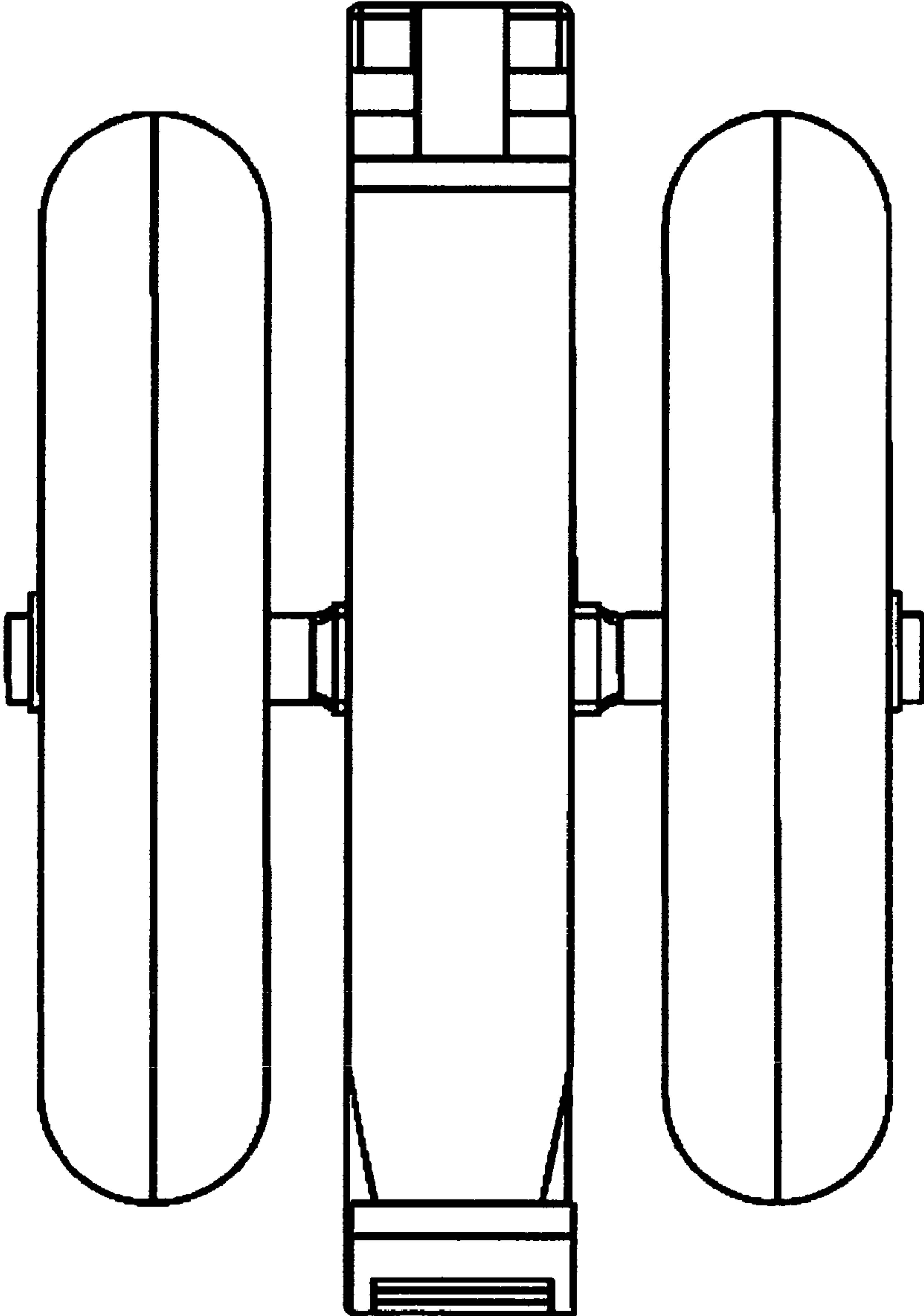
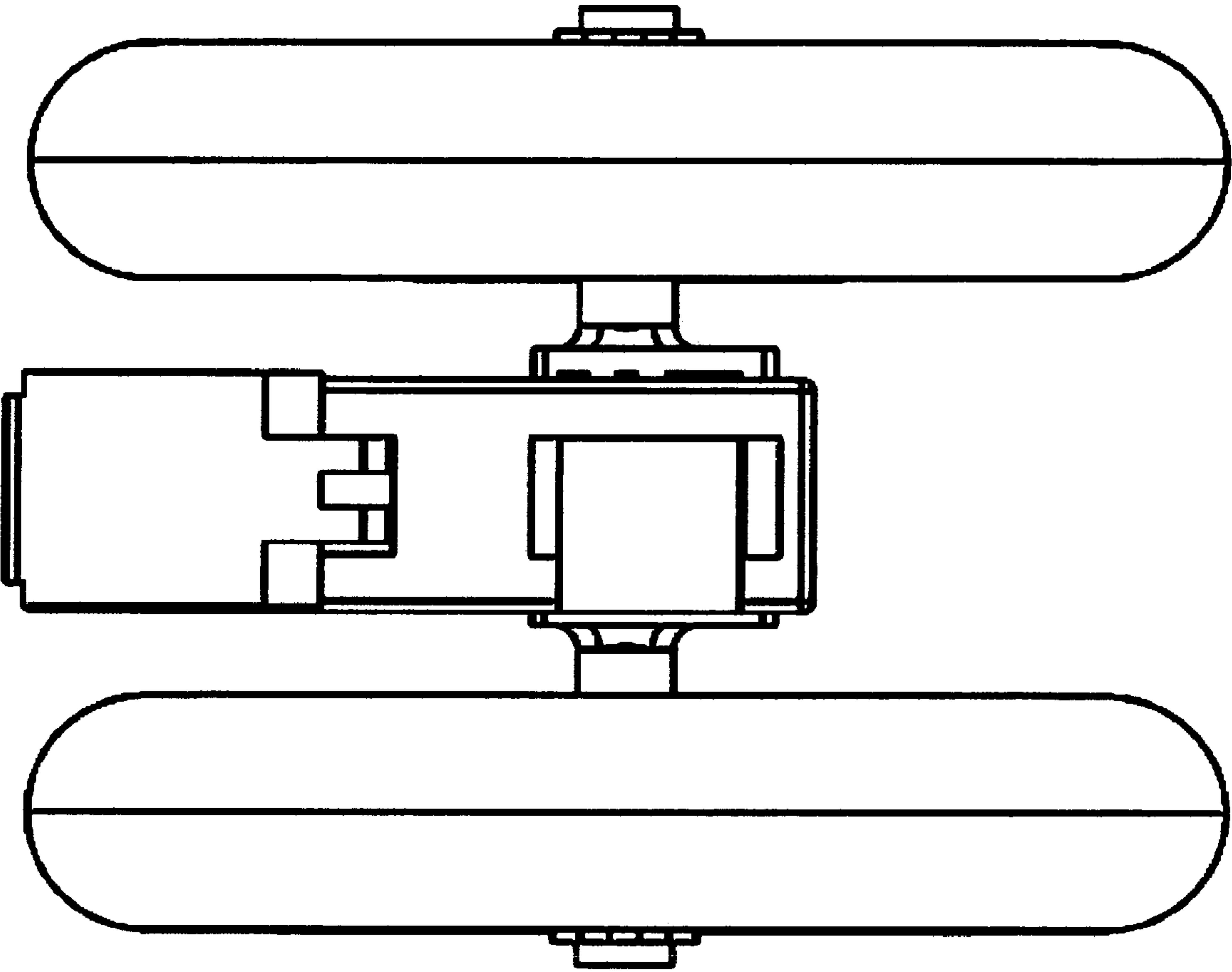


FIG. 3

FIG. 4



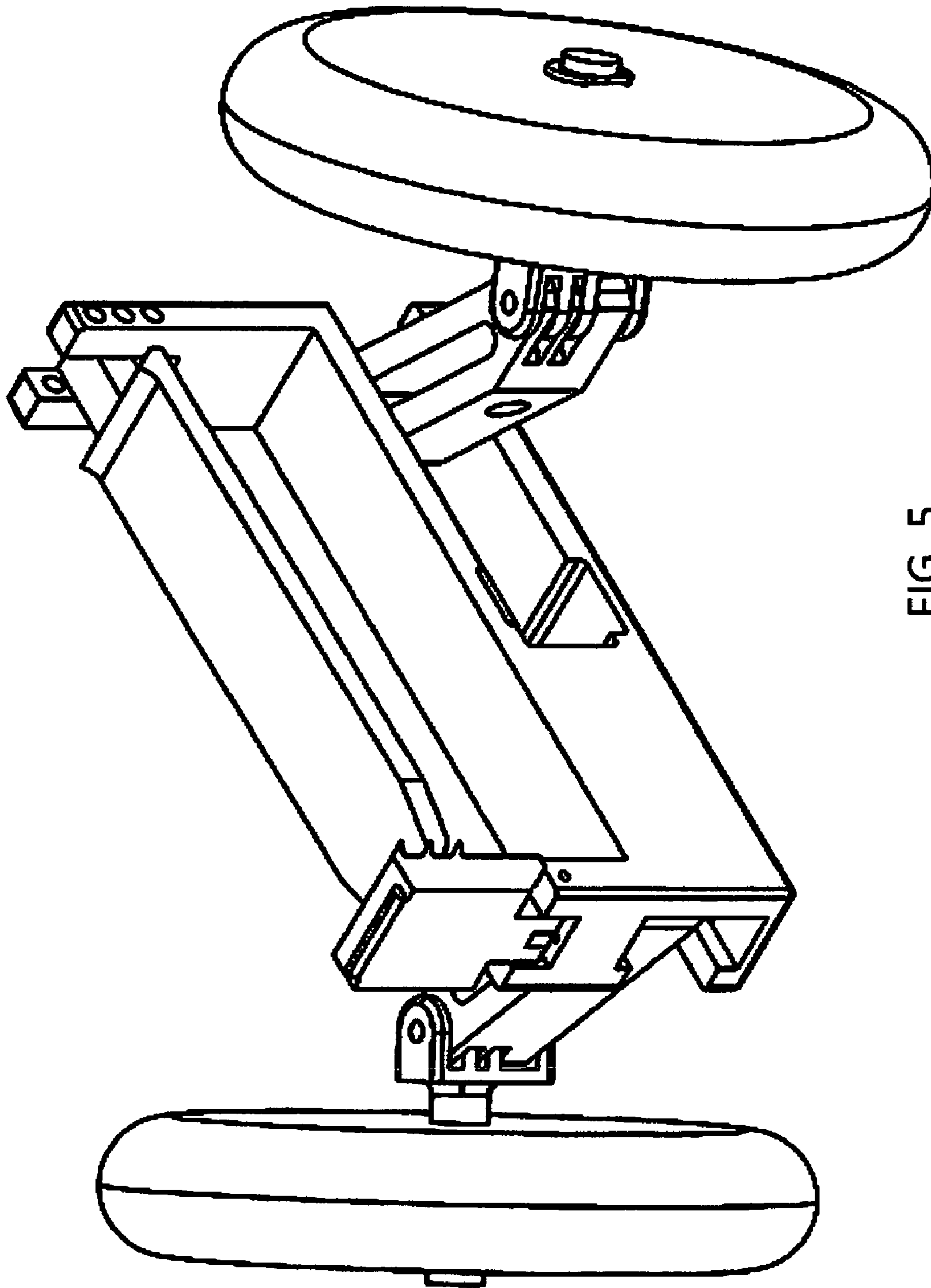


FIG. 5

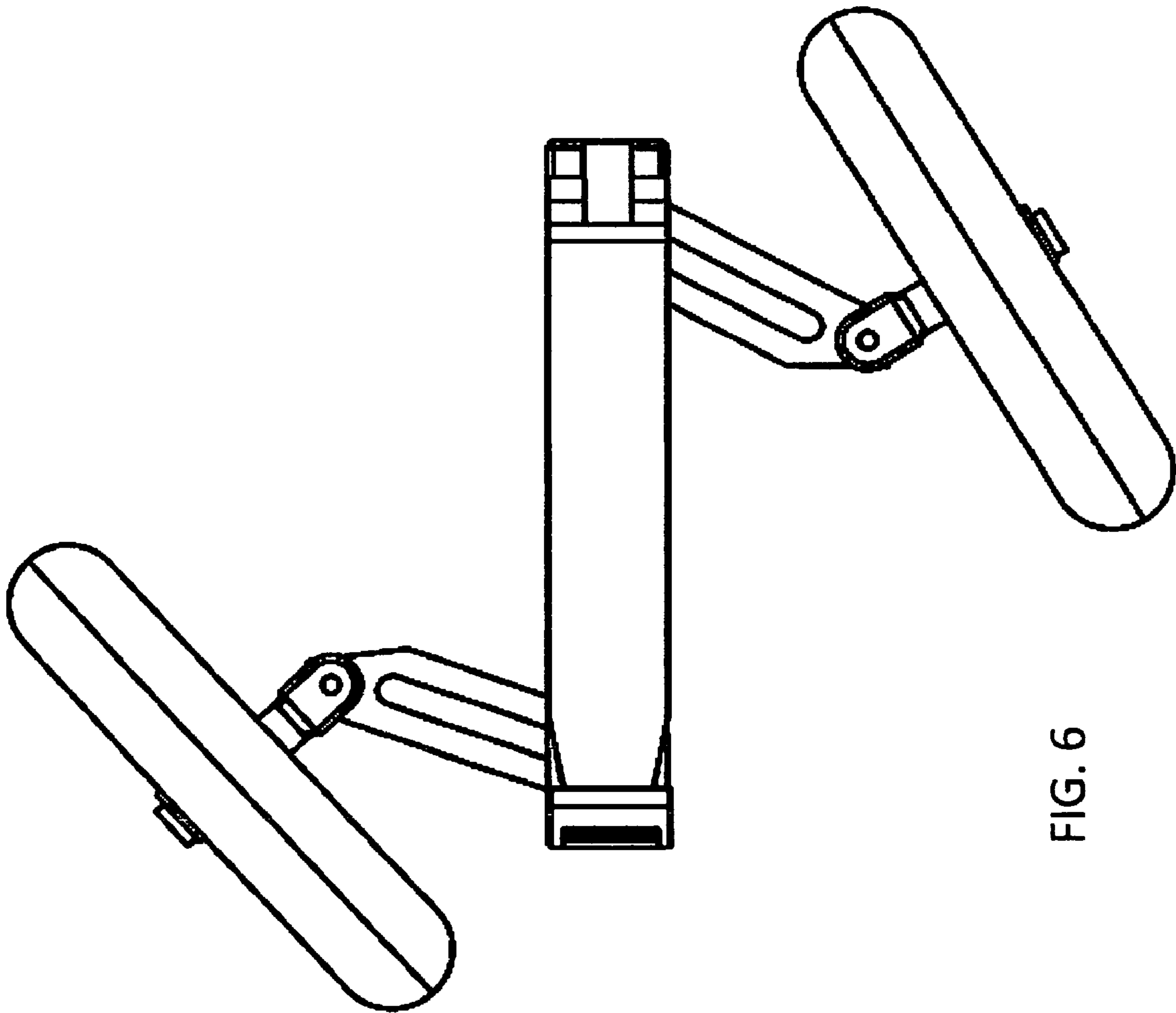


FIG. 6



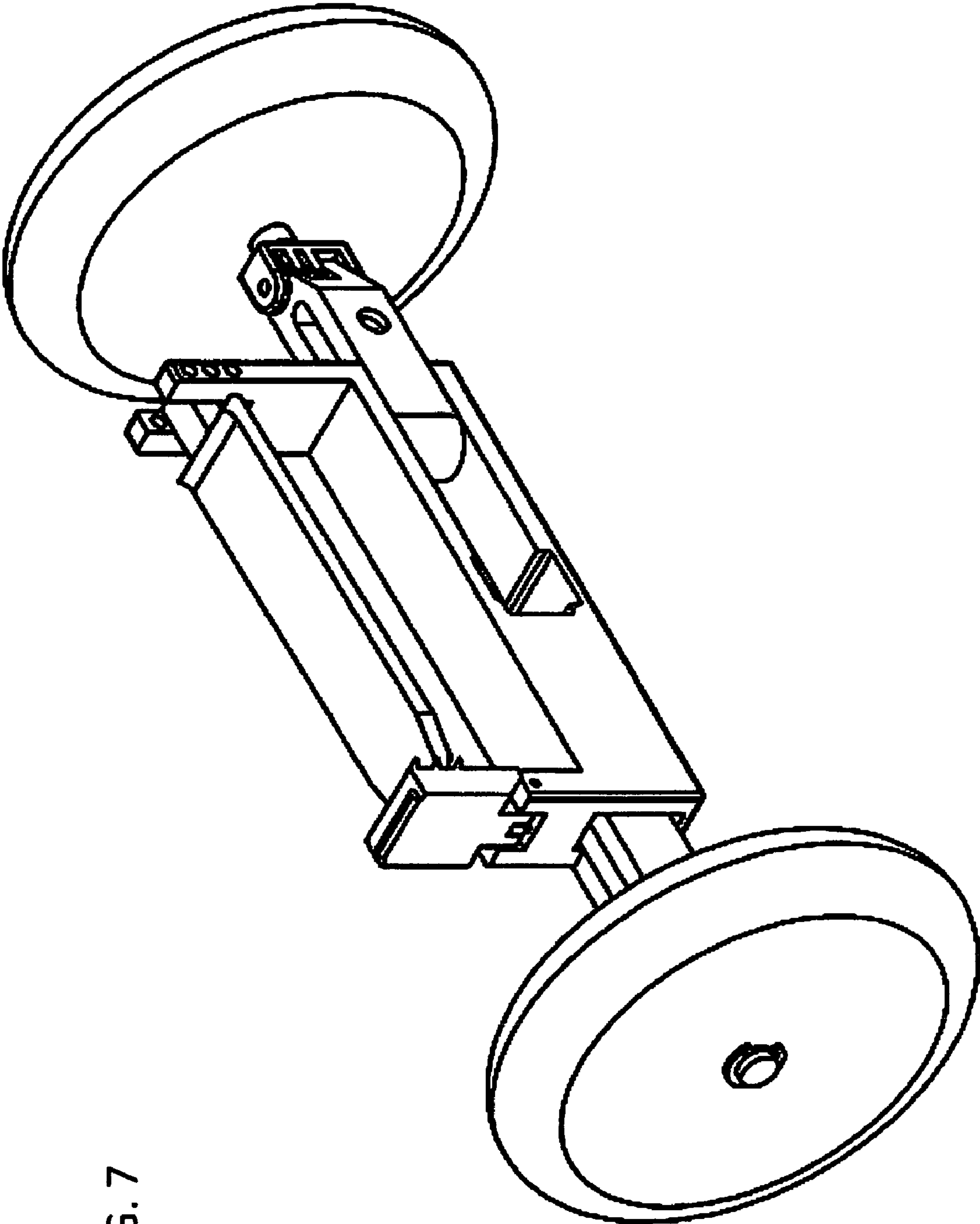


FIG. 7

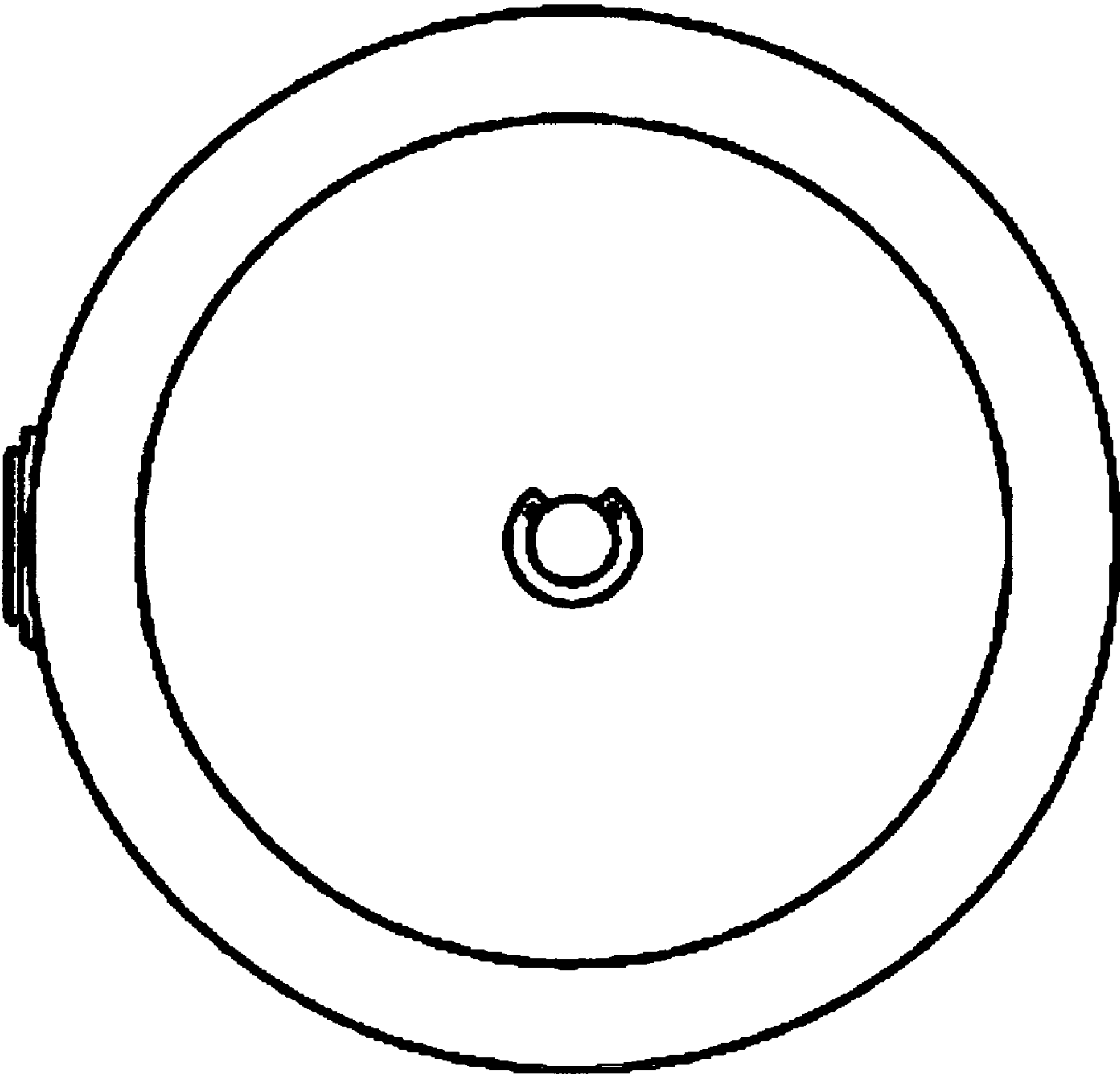


FIG. 8



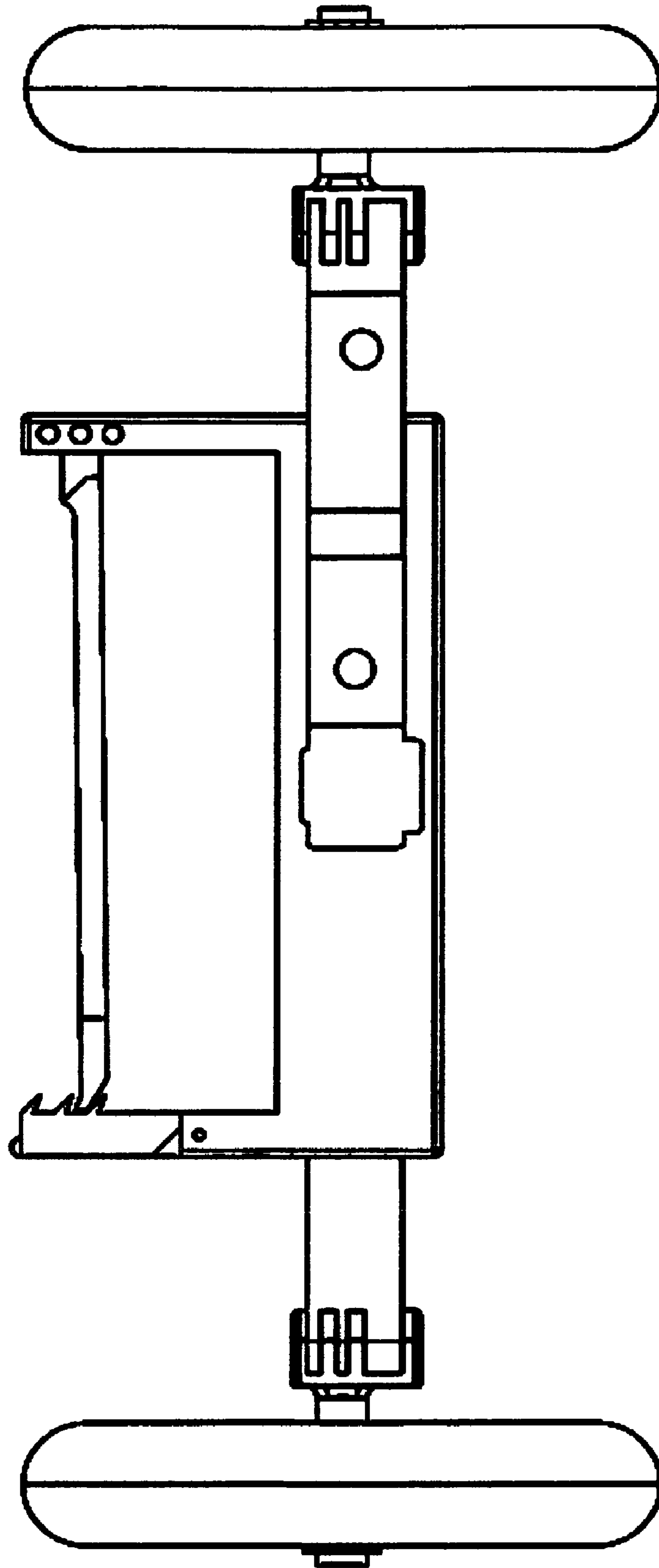


FIG. 9

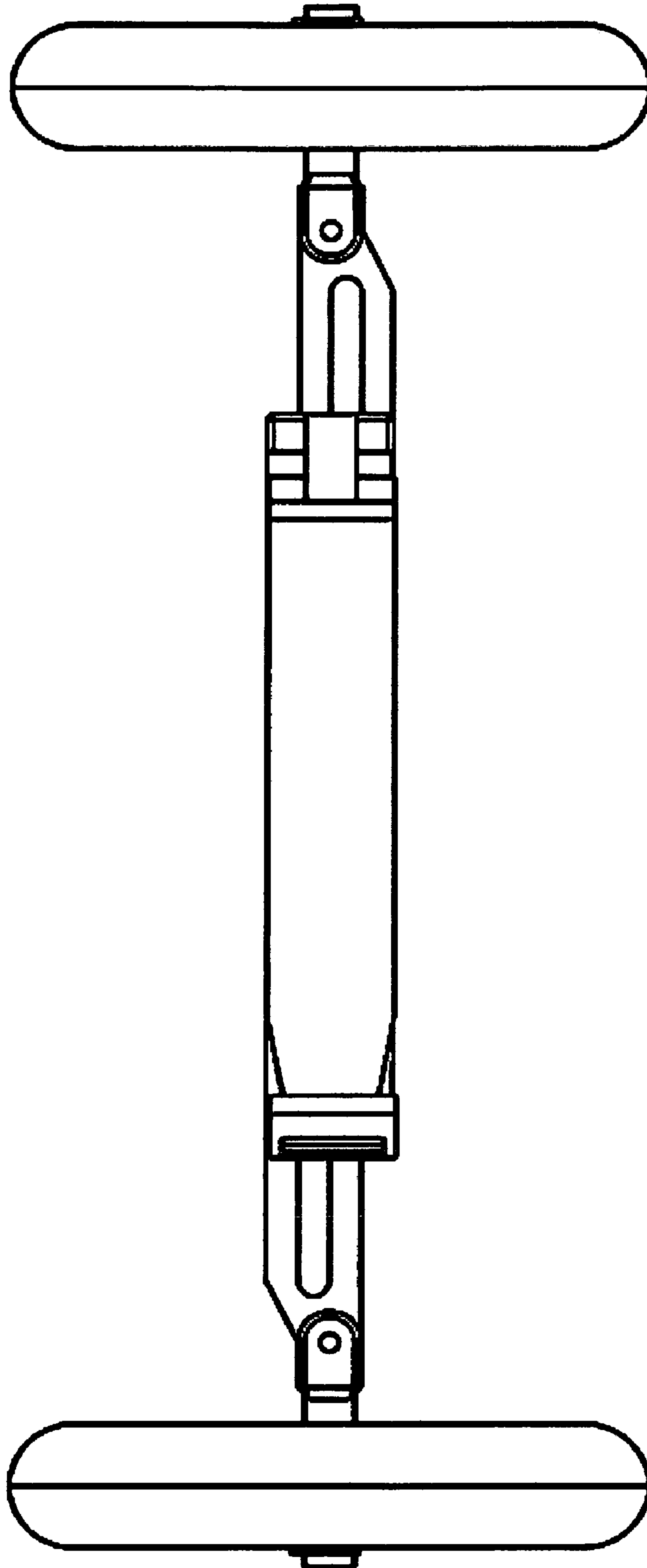


FIG. 10

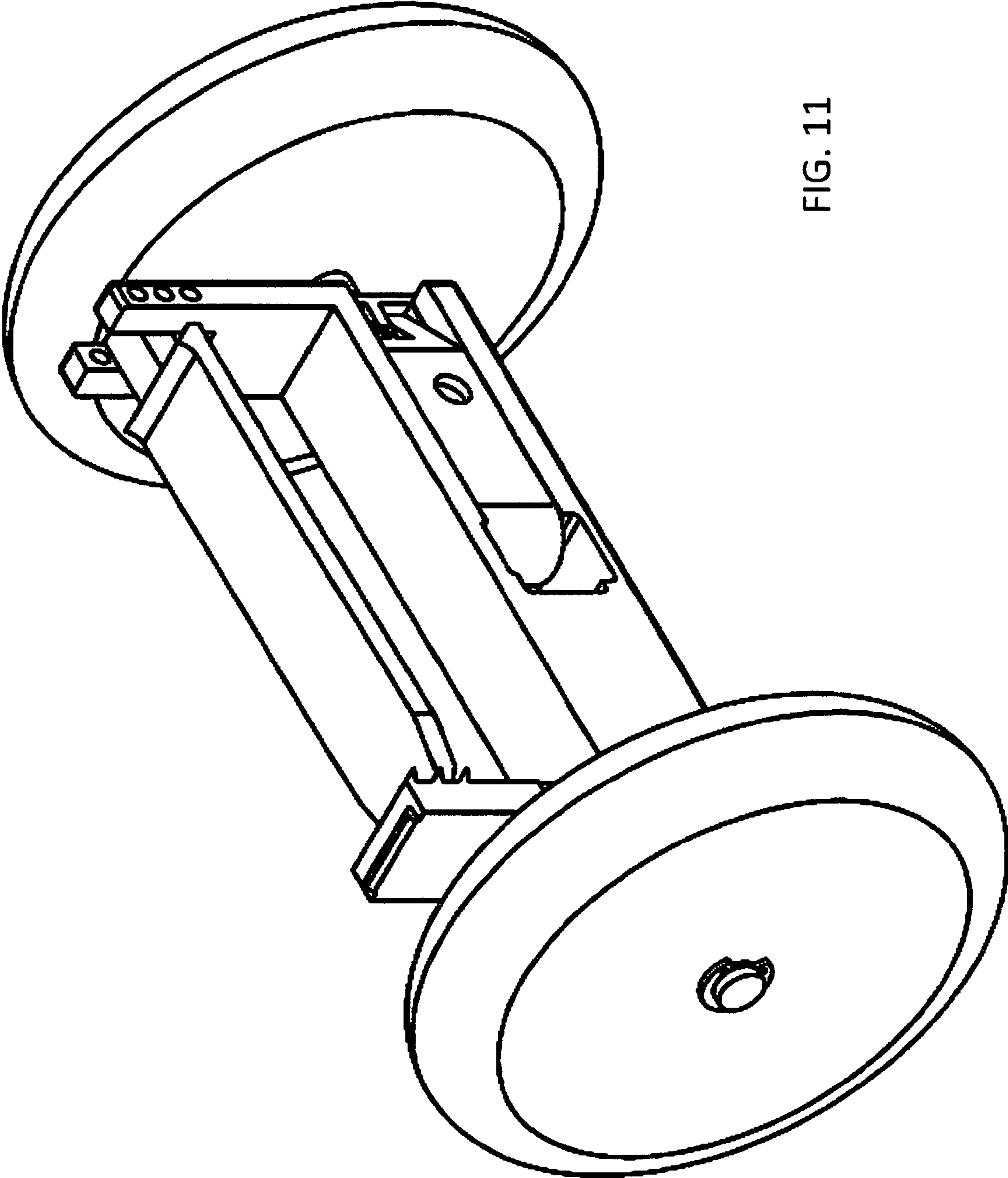


FIG. 11

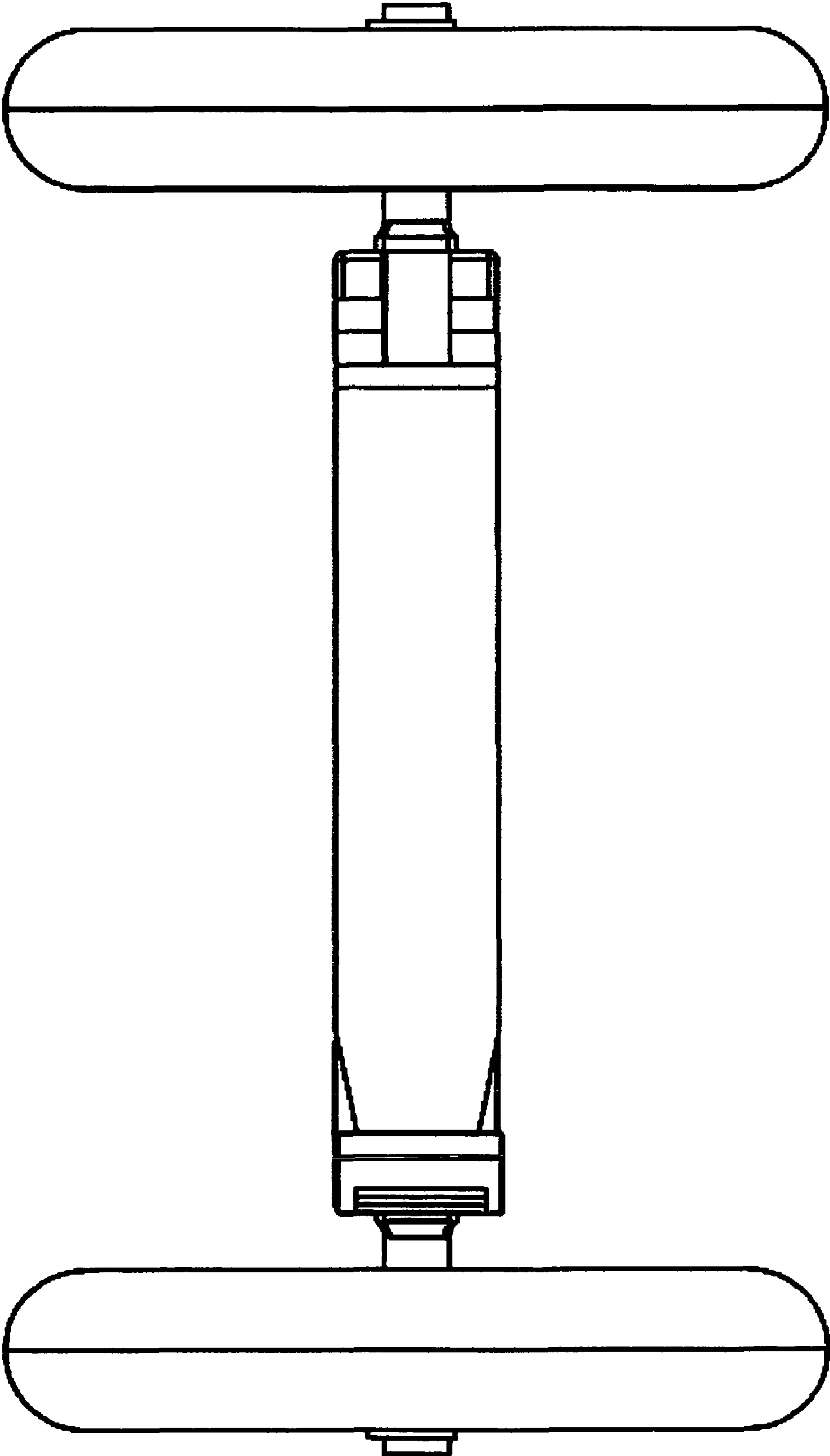


FIG. 12

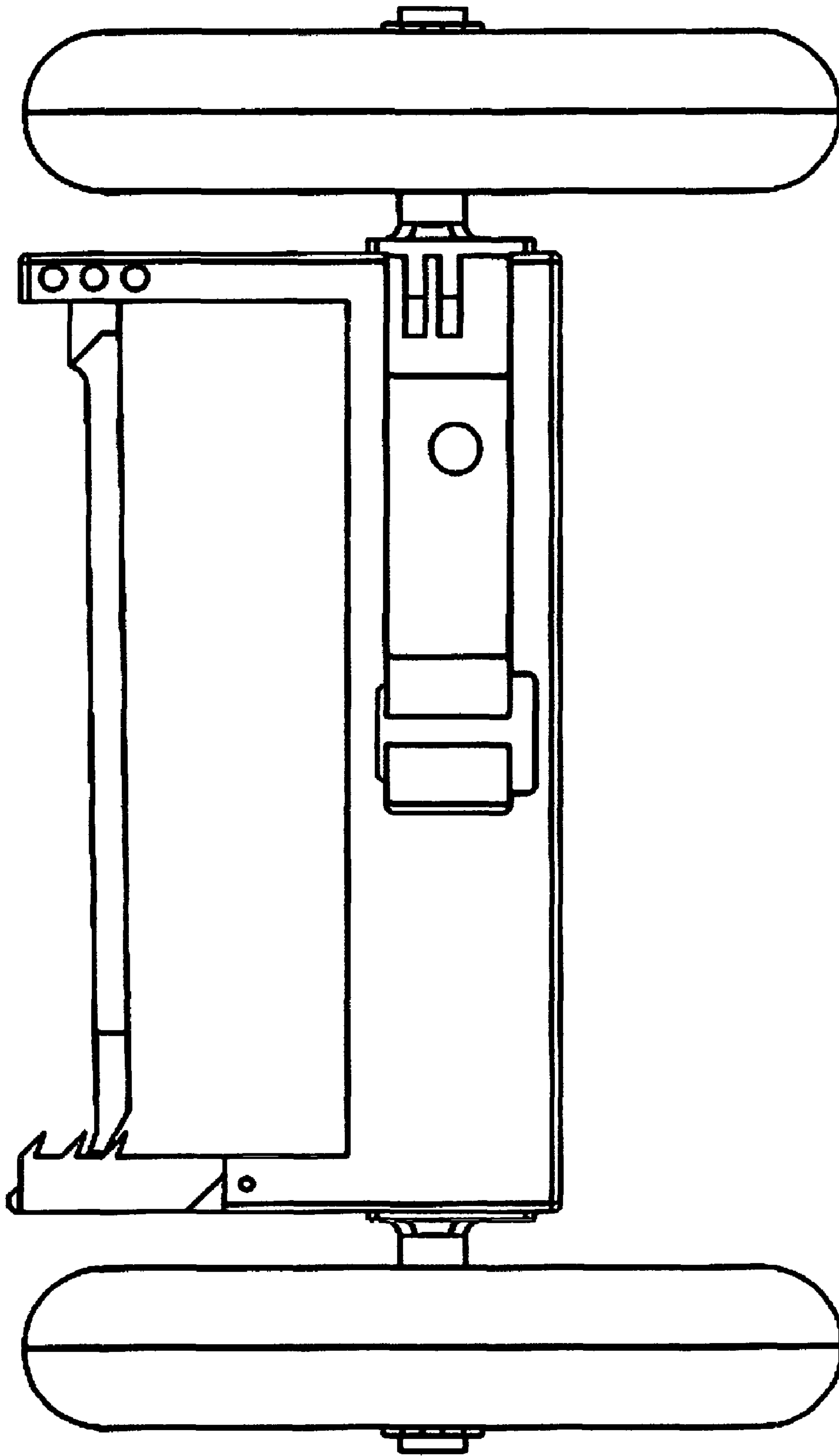


FIG. 13