



US00D644428S

(12) **United States Design Patent**
Feng

(10) **Patent No.:** **US D644,428 S**

(45) **Date of Patent:** **** Sep. 6, 2011**

(54) **CELL PHONE CLIP**

(76) Inventor: **Wen Feng**, Dongguan (CN)

(**) Term: **14 Years**

(21) Appl. No.: **29/387,268**

(22) Filed: **Mar. 10, 2011**

(51) **LOC (9) Cl.** **03-01**

(52) **U.S. Cl.** **D3/218**

(58) **Field of Classification Search** D3/218,
D3/215, 219, 201, 269; 224/196, 269, 666,
224/678, 640, 646, 930, 940; 379/445, 455;
D14/253, 250, 138; 455/575.1-575.8
See application file for complete search history.

(56) **References Cited**

U.S. PATENT DOCUMENTS

D419,290 S * 1/2000 Treyer et al. D3/218
D496,529 S * 9/2004 Gotou D3/218

D497,713 S * 11/2004 Lodato et al. D3/218
D594,224 S * 6/2009 Leung et al. D3/218
D606,739 S * 12/2009 Fahrendorff et al. D3/218
D629,193 S * 12/2010 Liu D3/218

* cited by examiner

Primary Examiner — Catheri Oliver

(74) *Attorney, Agent, or Firm* — Clement Cheng

(57) **CLAIM**

The ornamental design for a cell phone clip, as shown and described.

DESCRIPTION

FIG. 1 is a perspective view.

FIG. 2 is a front view.

FIG. 3 is a rear view.

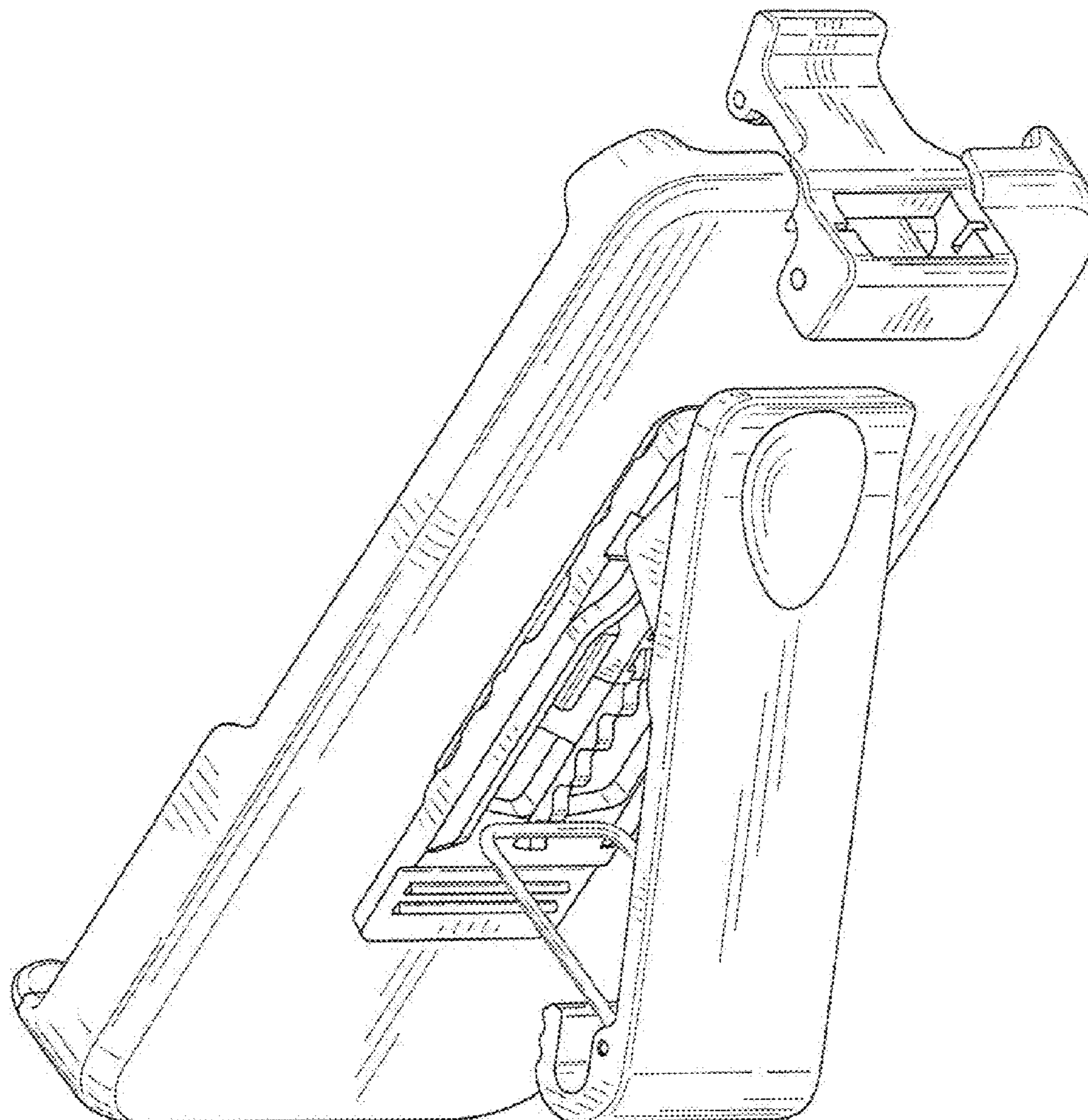
FIG. 4 is a left side view.

FIG. 5 is a right side view.

FIG. 6 is a top view; and,

FIG. 7 is a bottom view.

1 Claim, 6 Drawing Sheets



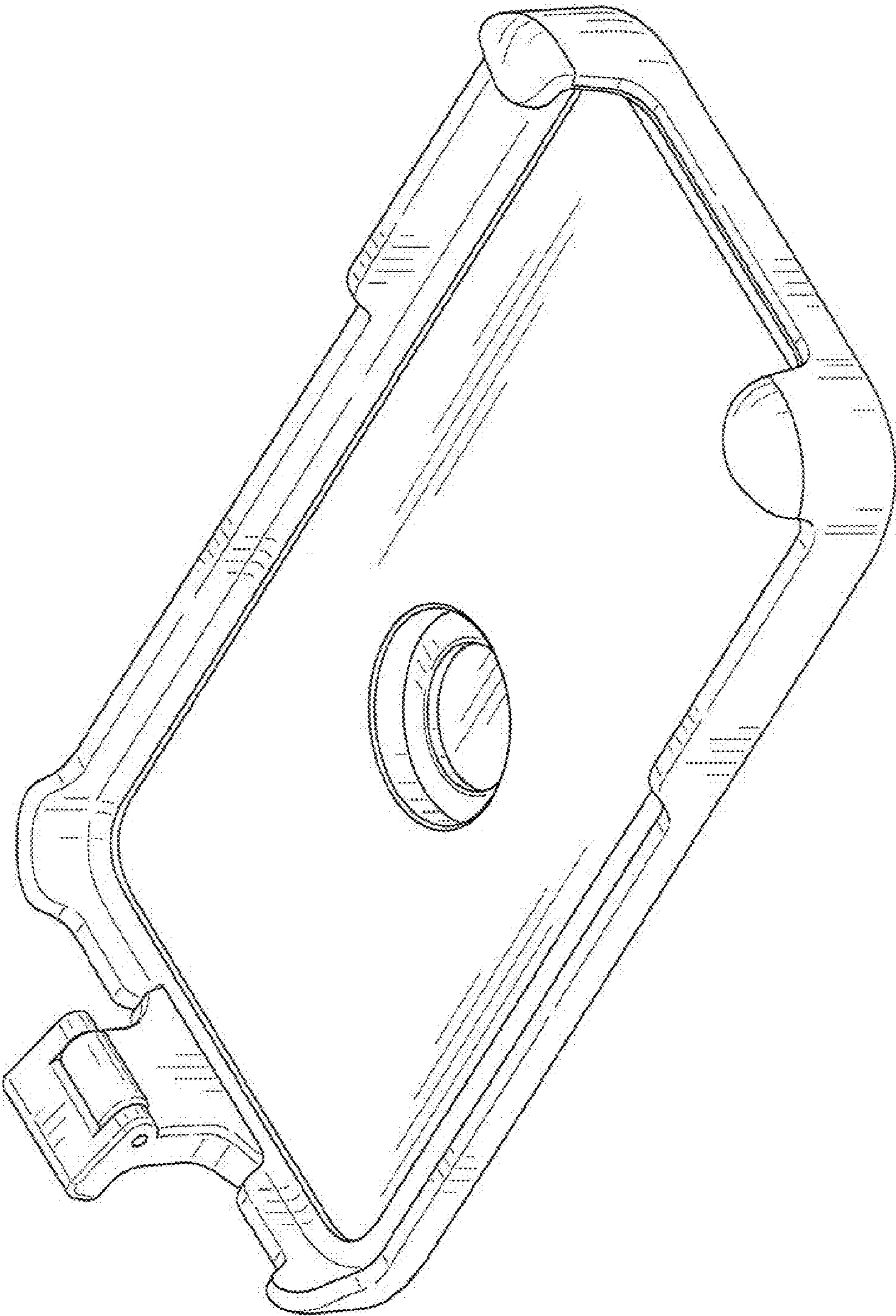


FIG. 1

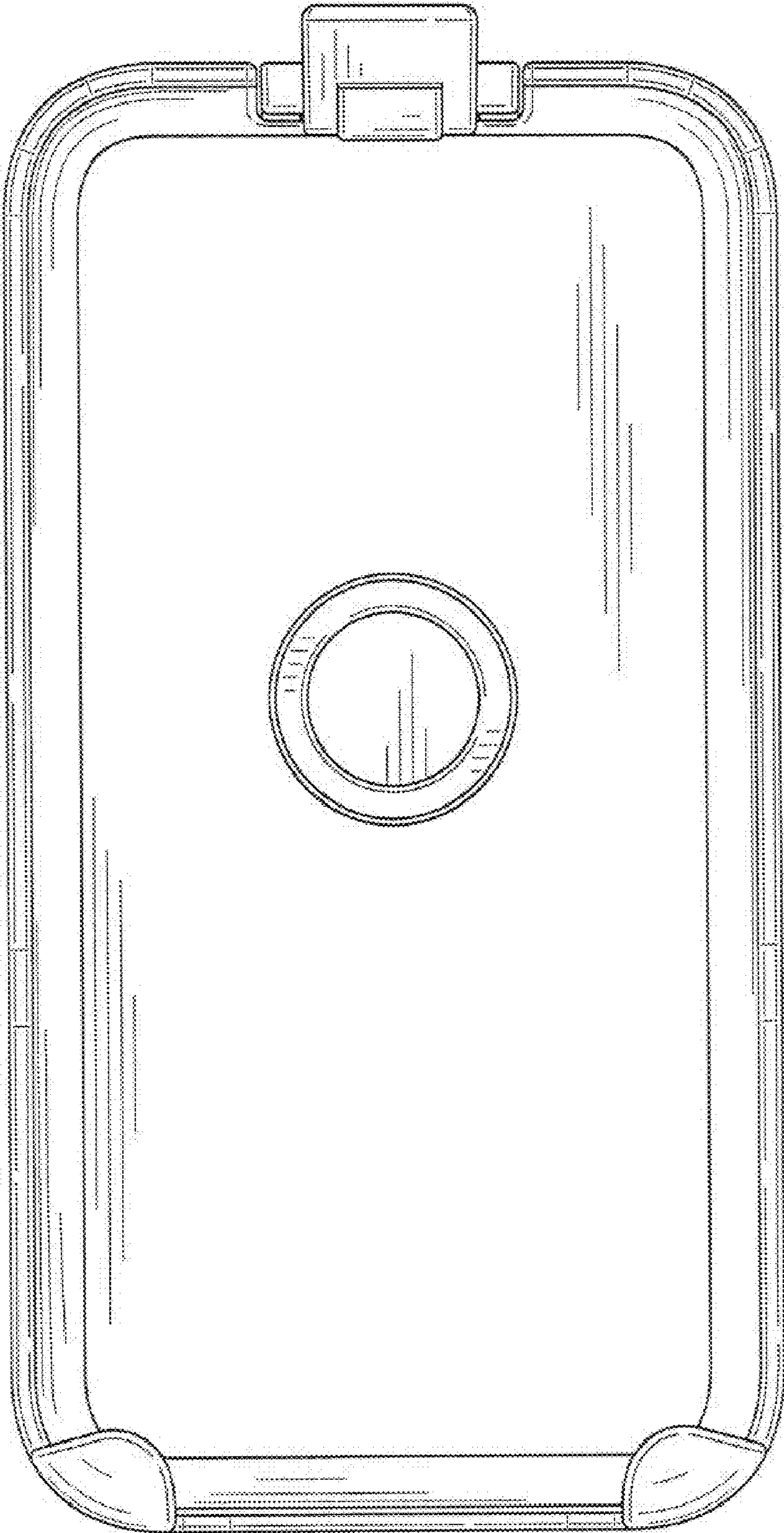


FIG. 2

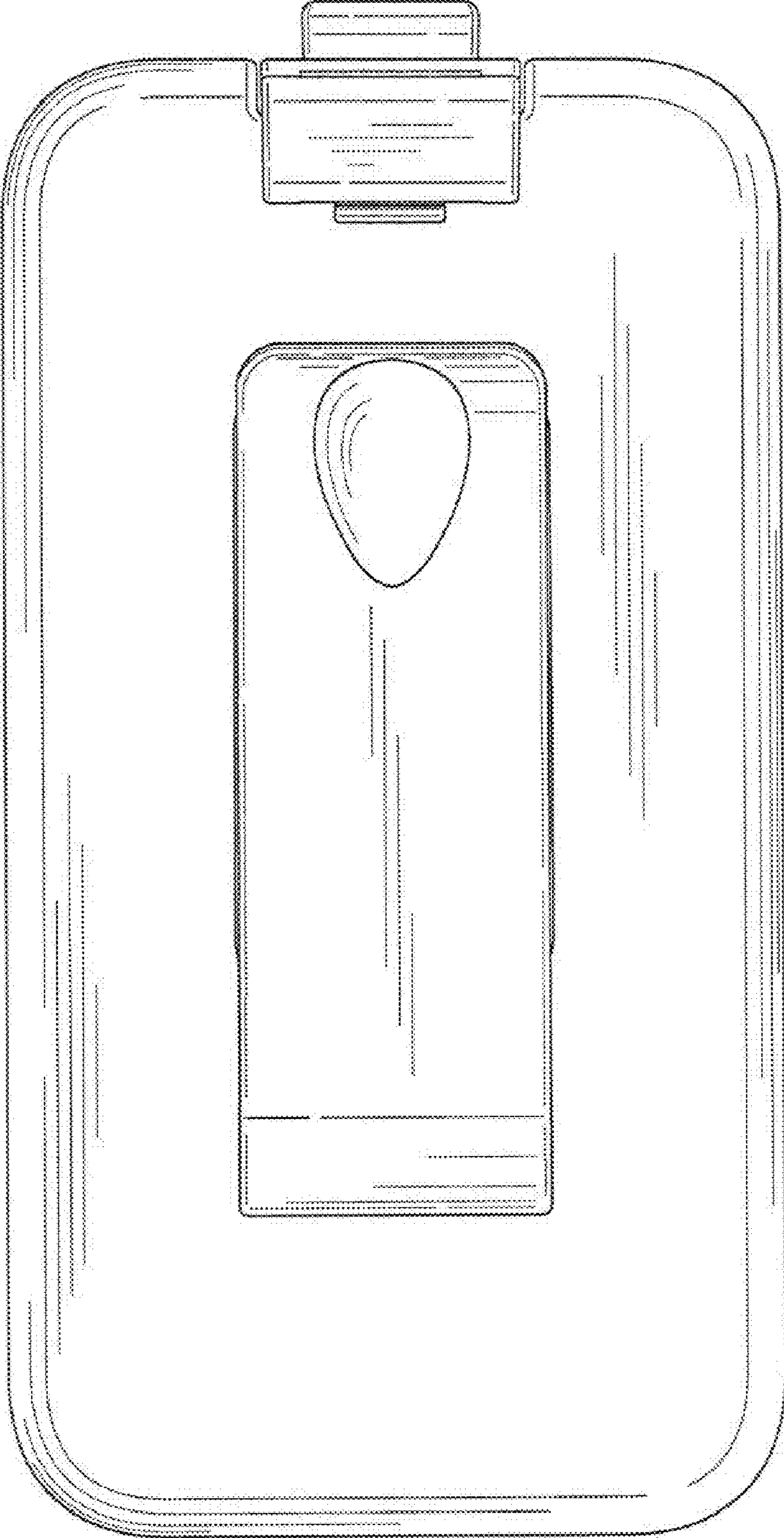


FIG. 3

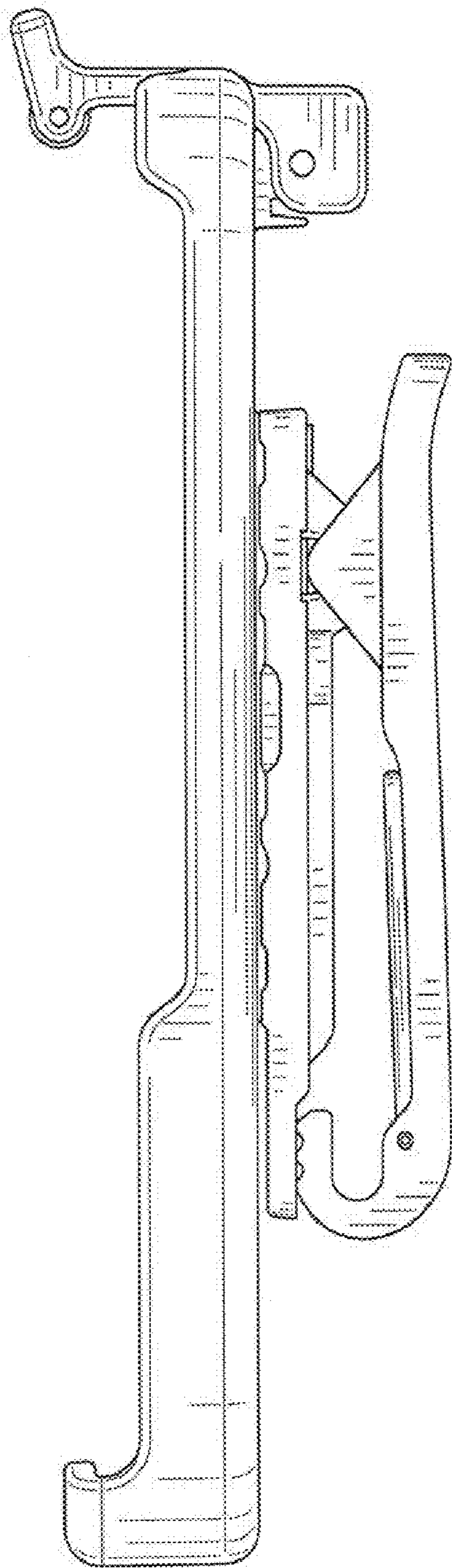


FIG. 4

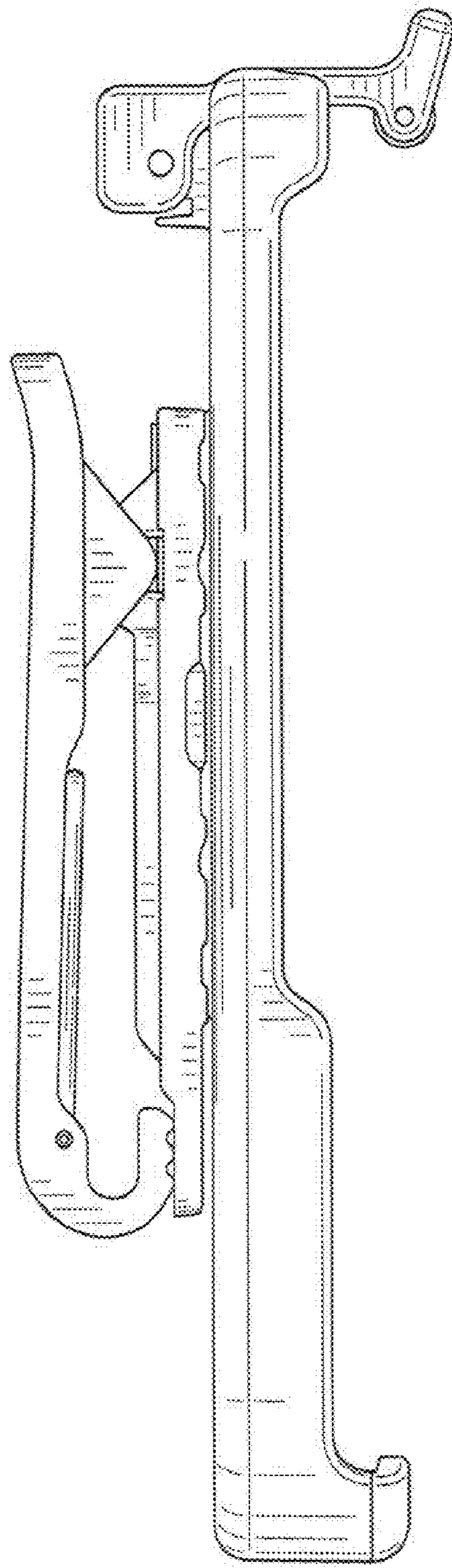


FIG. 5

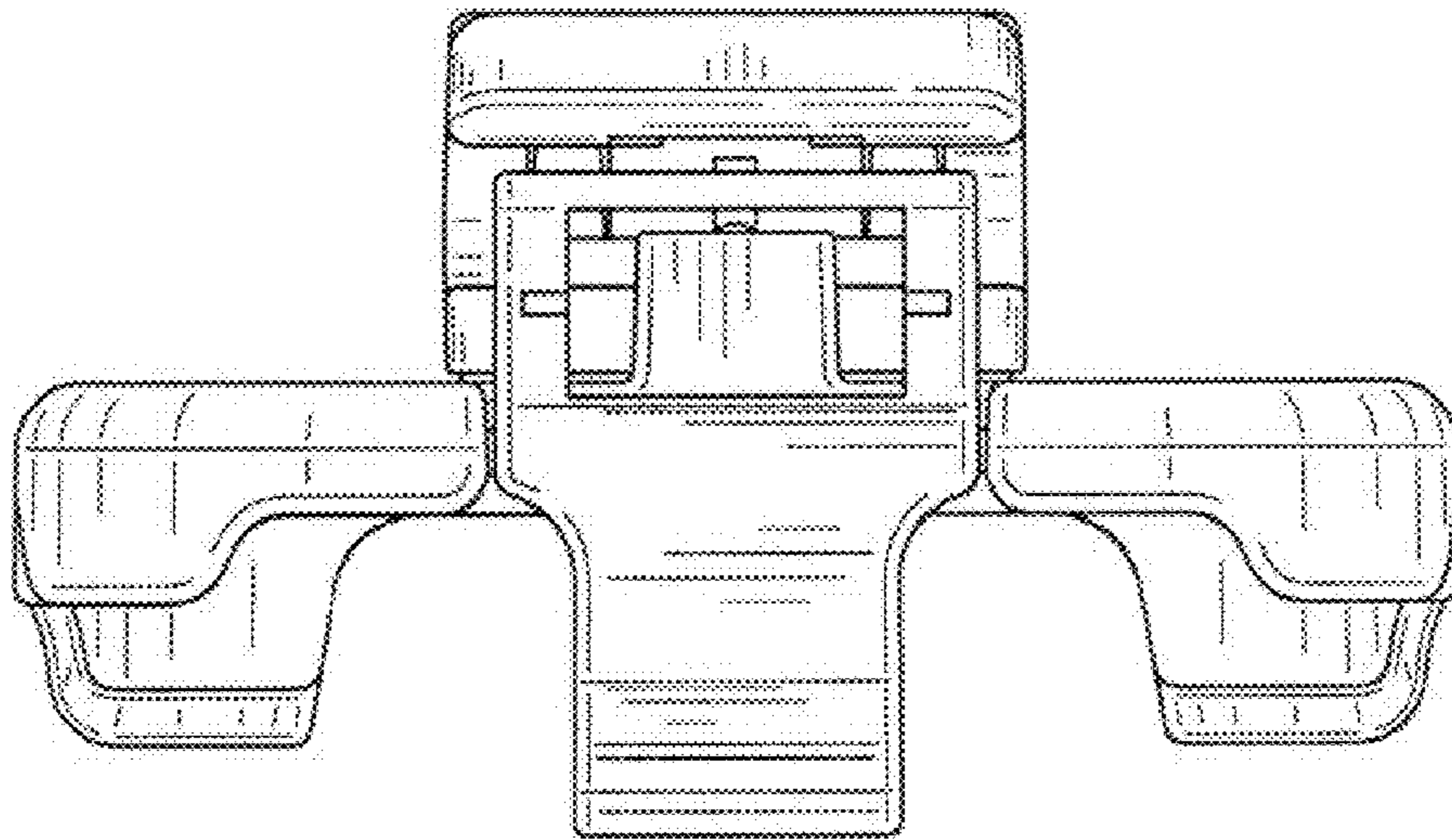


FIG. 6

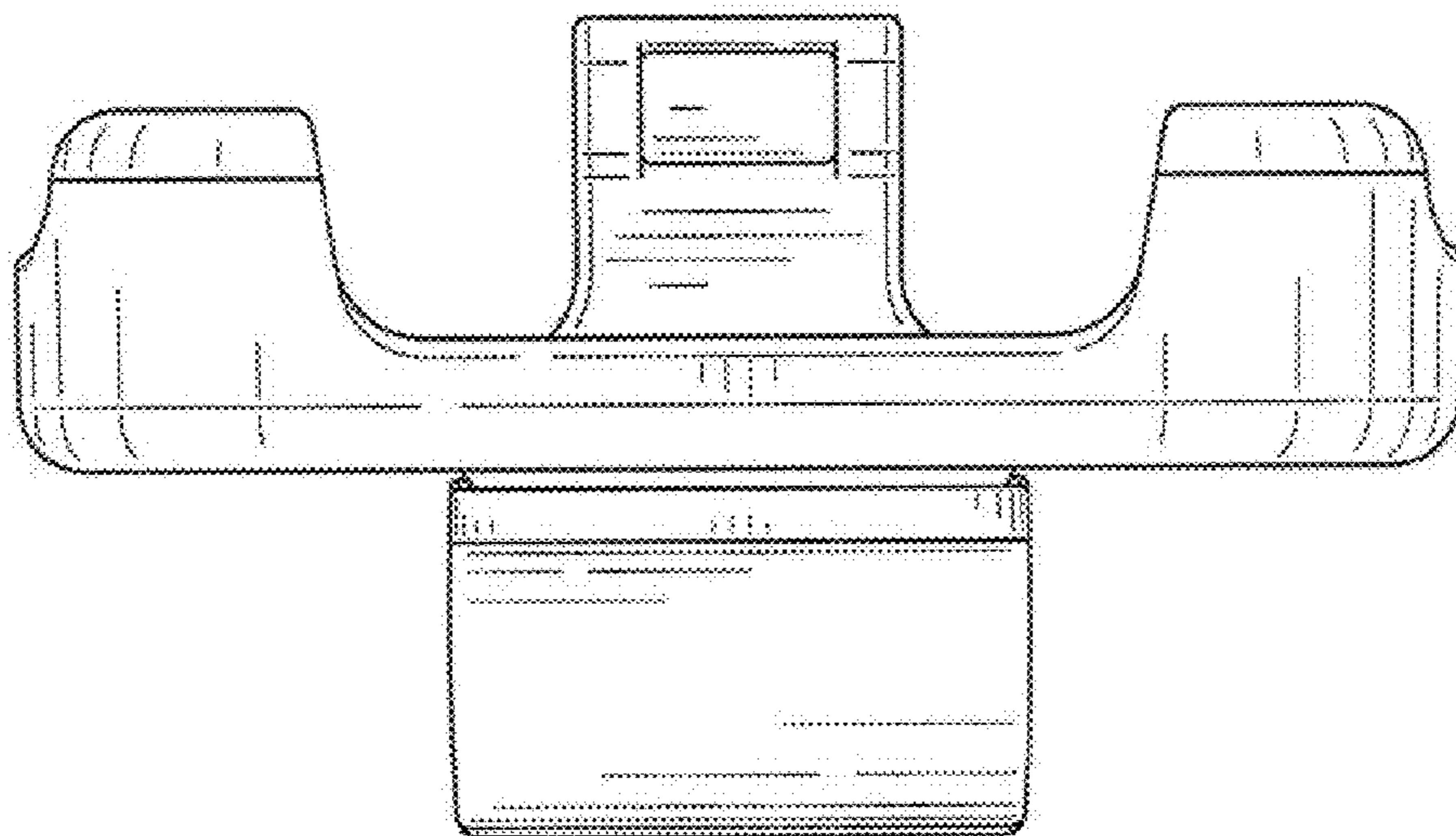


FIG. 7

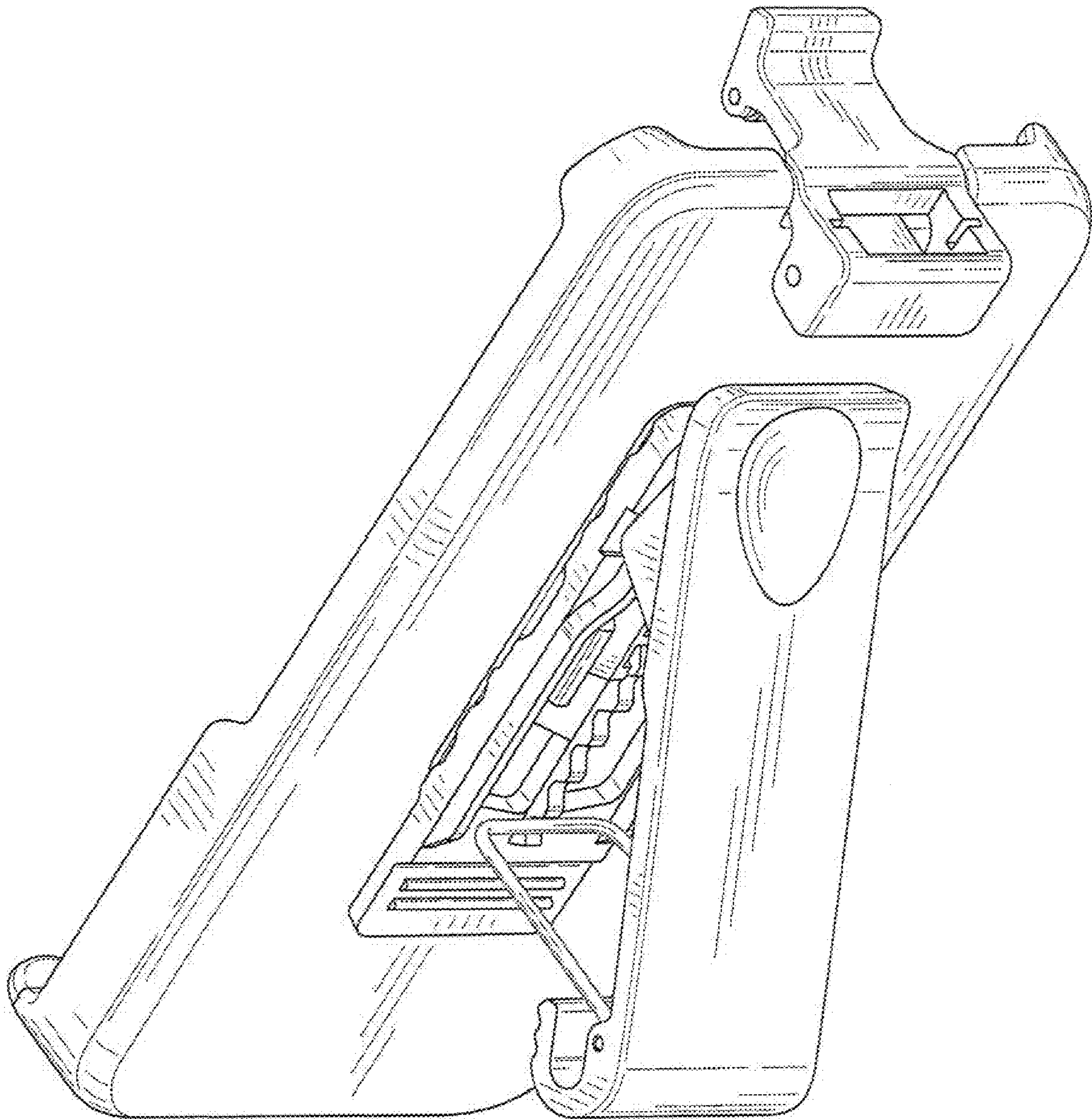


FIG. 8