



US00D644427S

(12) **United States Design Patent**  
**Cunningham et al.**

(10) **Patent No.:** **US D644,427 S**

(45) **Date of Patent:** **\*\* Sep. 6, 2011**

(54) **KEY RING AND FOB**

(75) Inventors: **Jacqueline Cunningham**, London (GB);  
**Conan Cunningham**, London (GB)

(73) Assignee: **Baggee Limited**, London (GB)

(\*\*) Term: **14 Years**

(21) Appl. No.: **29/375,860**

(22) Filed: **Sep. 28, 2010**

(51) **LOC (9) Cl.** ..... **03-01**

(52) **U.S. Cl.** ..... **D3/208**

(58) **Field of Classification Search** ..... D11/1-2,  
D11/14, 26-29, 89-92, 44, 48, 81, 99; 63/26-28,  
63/32; D3/207-212; D8/38; 70/456 B;  
206/37.1; D13/168

See application file for complete search history.

(56) **References Cited**

**U.S. PATENT DOCUMENTS**

2,784,512	A *	3/1957	Goodwin	.....	428/8
D333,784	S *	3/1993	Goodman	.....	D3/302
D398,774	S *	9/1998	Yu	.....	D3/209
D404,195	S *	1/1999	Beals	.....	D3/208
D411,132	S *	6/1999	Hornsby et al.	.....	D11/79
5,927,116	A *	7/1999	Emoff	.....	70/456 R
D421,372	S *	3/2000	Wysopal	.....	D8/38

D453,702	S *	2/2002	Hill	.....	D11/7
D472,149	S *	3/2003	Beals	.....	D9/516
D525,779	S *	8/2006	Gotlieb	.....	D3/211

\* cited by examiner

*Primary Examiner* — Ralf Seifert

(74) *Attorney, Agent, or Firm* — SNR Denton US LLP;  
Brian R. McGinley

(57) **CLAIM**

The ornamental design for a key ring and fob, as shown and described.

**DESCRIPTION**

FIG. 1 is a front elevational view of the key ring and fob illustrating the new design;

FIG. 2 is a top view of the key ring and fob illustrated in FIG. 1;

FIG. 3 is a right side view of the key ring and fob illustrated in FIG. 1;

FIG. 4 is a left view of the key ring and fob illustrated in FIG. 1;

FIG. 5 is a bottom view of the key ring and fob shown in FIG. 1; and,

FIG. 6 is a front perspective view of the key ring and fob shown in FIG. 1.

The broken lines in FIG. 5 are included for the purpose of illustrating portions of the key ring and fob that form no part of the claimed design.

**1 Claim, 6 Drawing Sheets**



FIG. 1

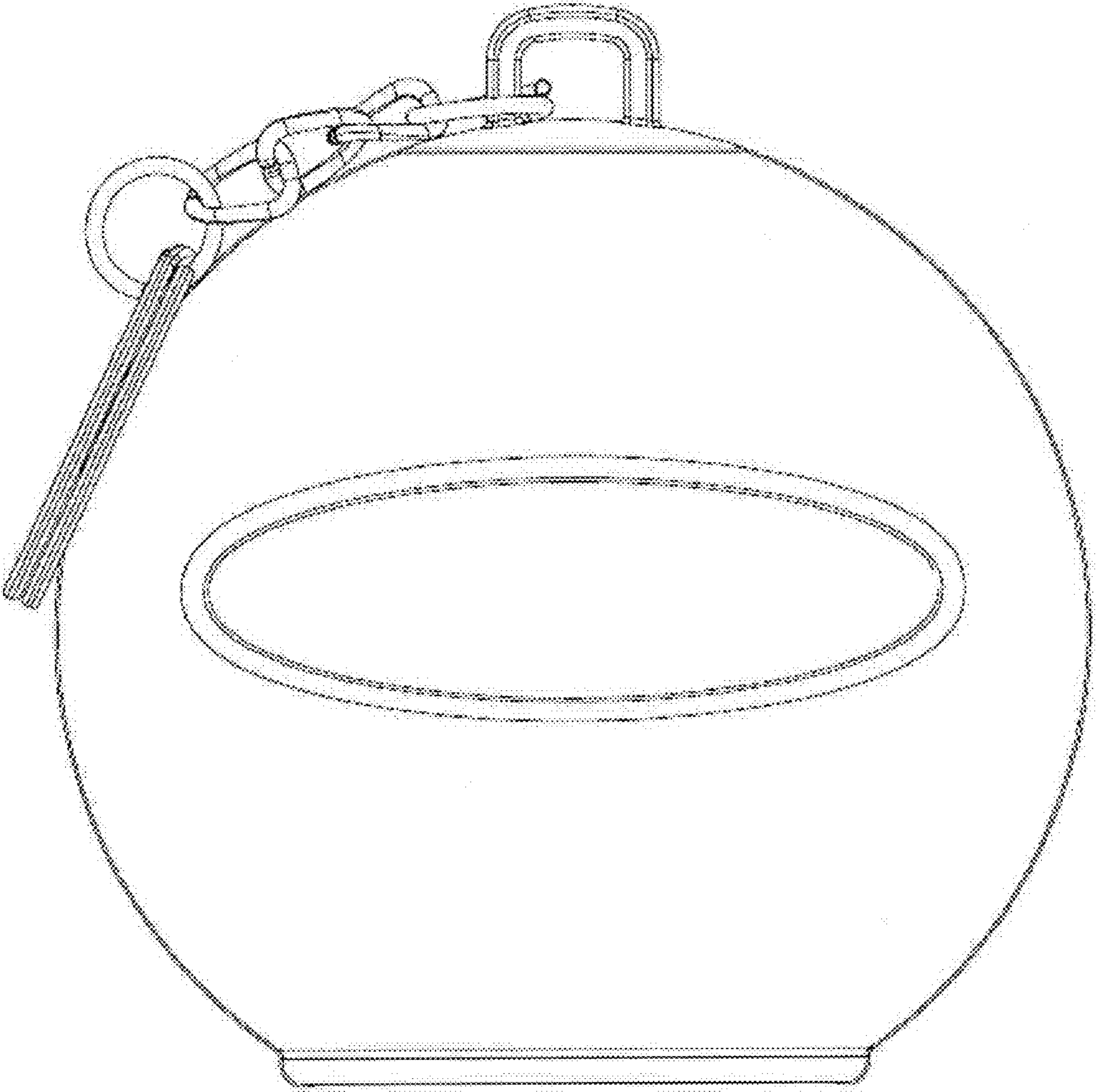


FIG. 2

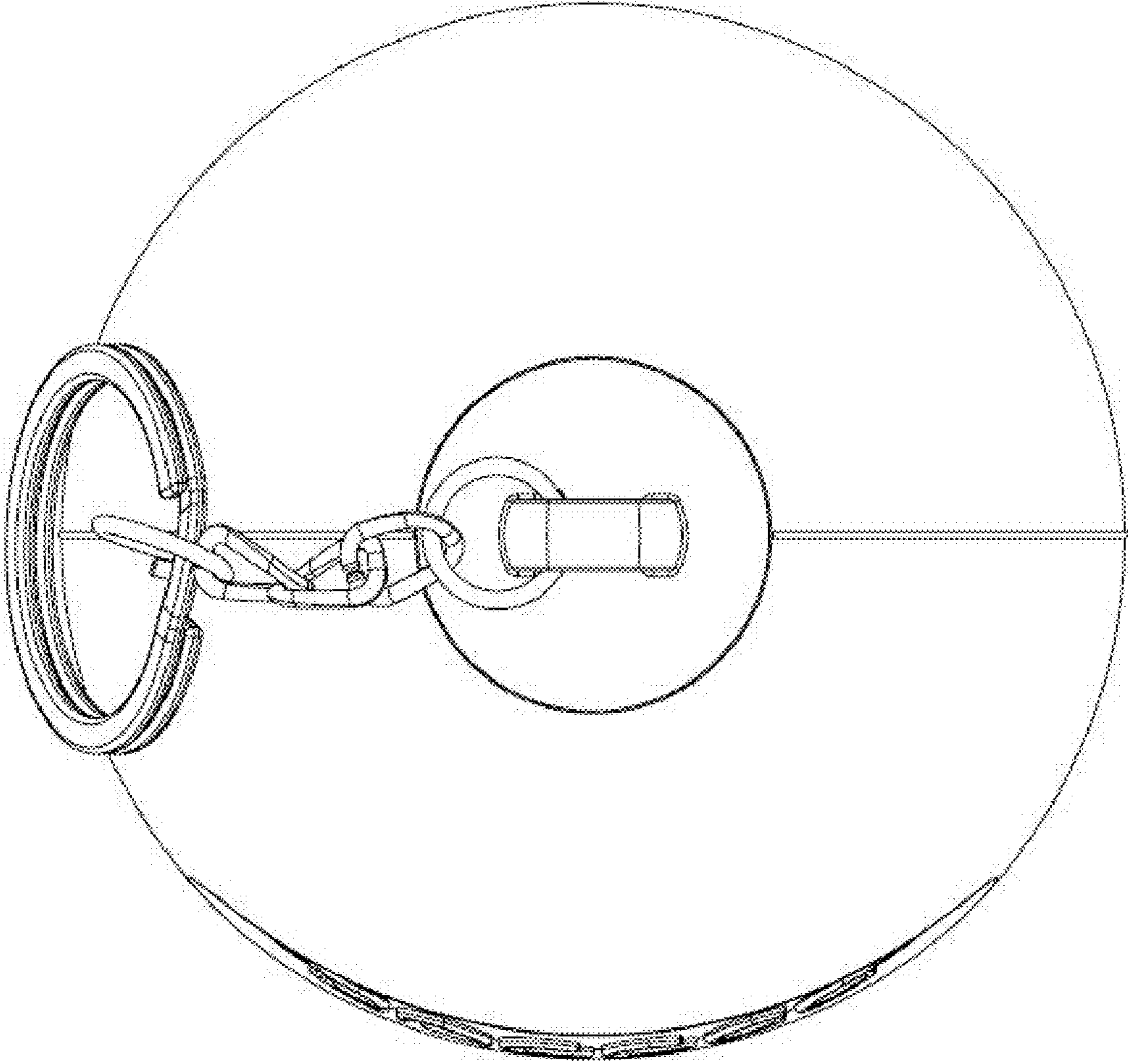


FIG. 3

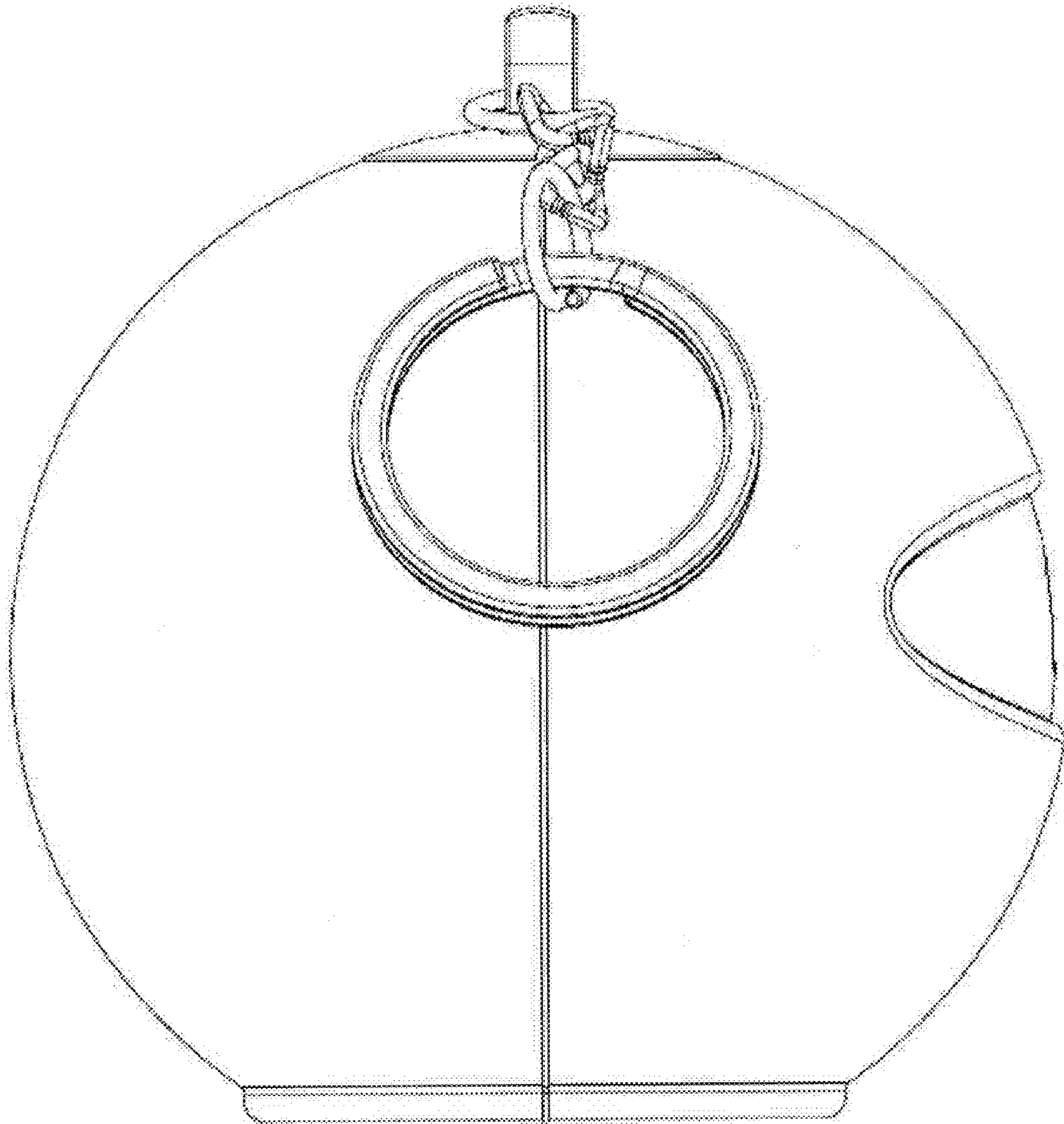


FIG. 4

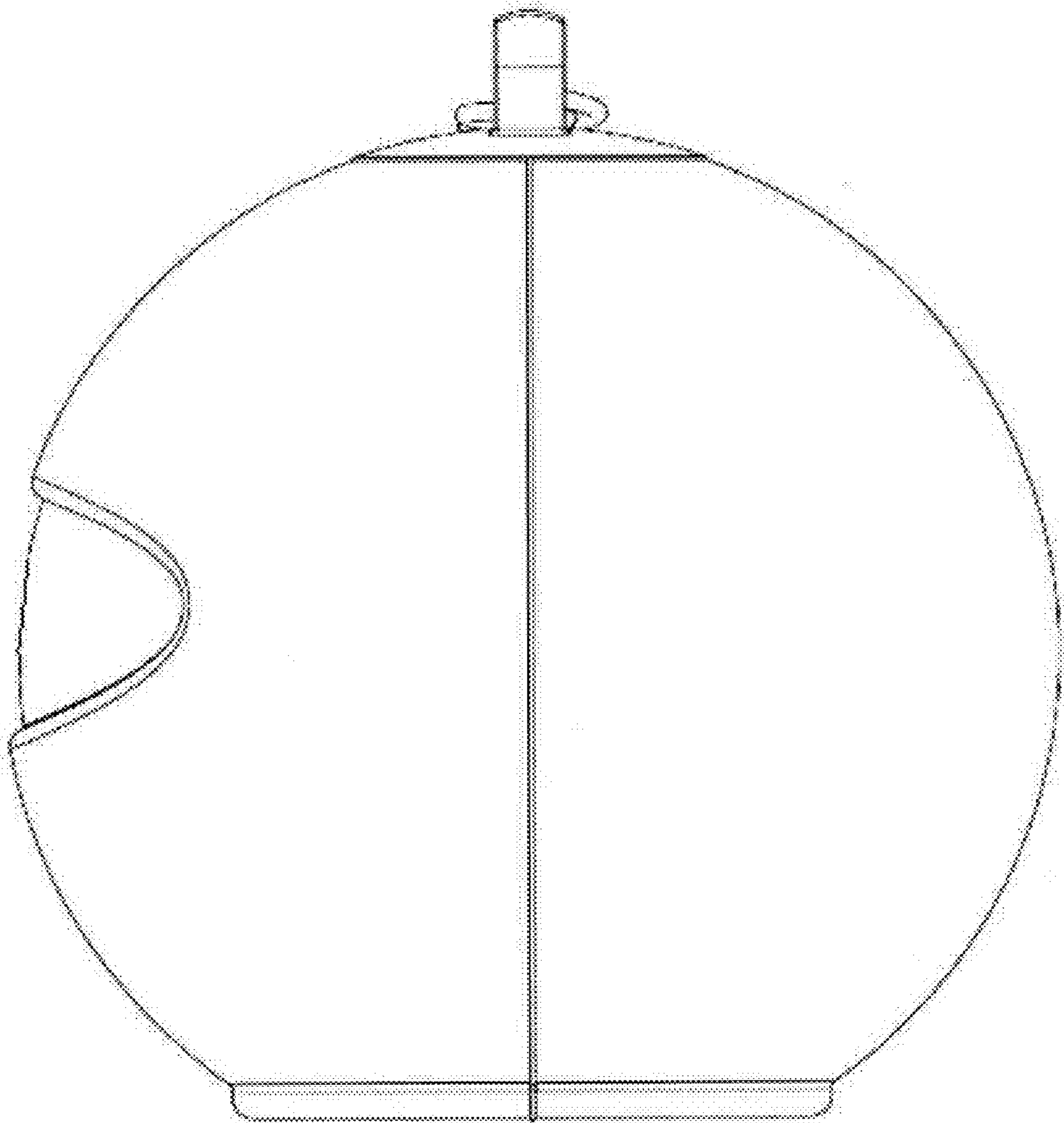


FIG. 5

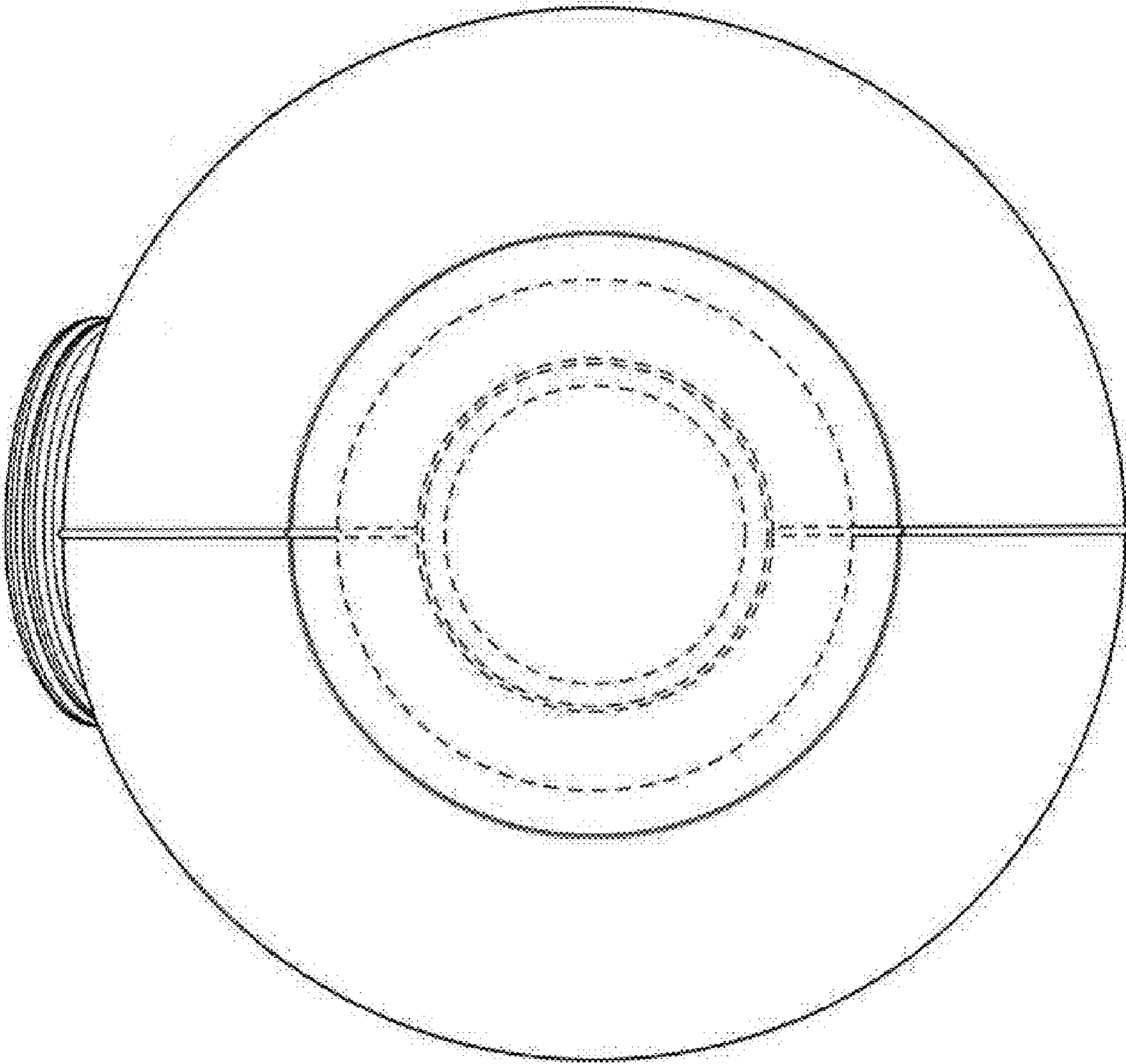


FIG. 6

