



US00D644426S

(12) **United States Design Patent**  
**Skaggs**

(10) **Patent No.:** **US D644,426 S**

(45) **Date of Patent:** **\*\* Sep. 6, 2011**

- (54) **HAIR EXTENSION POUCH**
- (75) Inventor: **Cheryl Meyer Skaggs**, Ponder, TX (US)
- (73) Assignee: **Sally Beauty Supply LLC**, Denton, TX (US)
- (\*\*) Term: **14 Years**
- (21) Appl. No.: **29/343,060**
- (22) Filed: **Sep. 4, 2009**
- (51) **LOC (9) Cl.** ..... **03-01**
- (52) **U.S. Cl.** ..... **D3/205**
- (58) **Field of Classification Search** ..... D3/20,  
D3/201, 205, 206, 226, 228, 276, 289, 299,  
D3/901, 903; D9/419, 420, 421, 423, 702,  
D9/707, 709, 710, 711, 713; 132/75, 286,  
132/312; 150/110; 206/231, 278, 306, 349,  
206/750; 224/223; 229/116.5, 71, 72, 87.06,  
229/87.15, 120.18

See application file for complete search history.

(56) **References Cited**

**U.S. PATENT DOCUMENTS**

180,879	A *	8/1876	Hellenberg	206/231
239,657	A *	4/1881	Hellenberg	206/278
321,048	A *	6/1885	Oakley	229/87.15
485,509	A *	11/1892	Speed	206/287
503,858	A *	8/1893	Katzen	206/278
505,001	A *	9/1893	Ralph	229/71
522,753	A *	7/1894	Fison et al.	229/72
D29,020	S *	7/1898	Clauss	D3/205
673,471	A *	5/1901	McCord	229/92
1,038,778	A *	9/1912	Miller	38/71
1,089,519	A *	3/1914	Wordingham	229/87.15
1,217,357	A *	2/1917	Sparrow	383/39
1,545,246	A *	7/1925	Freeman	206/458
1,561,242	A *	11/1925	Kaye	206/278
1,589,713	A *	6/1926	Overly	229/72
1,618,066	A *	2/1927	Dawn	206/287
1,658,981	A *	2/1928	Galbraith et al.	229/87.15
1,712,337	A *	5/1929	Emrich	229/87.06

1,734,642	A *	11/1929	Olm	229/67.3
1,755,375	A *	4/1930	Tanner	229/800
1,787,222	A *	12/1930	Warner	206/763
1,808,303	A *	6/1931	Freiler	206/278

(Continued)

**OTHER PUBLICATIONS**

Hair Extension Storage Case, [on-line]; www.wishpot.com, [downloaded from the Internet on Nov. 19, 2010]; URL: <http://www.wishpot.com/item.aspx?uid=68837&wid=13126749&pid=14633465>. (2 pages).\*

*Primary Examiner* — Karen E Eldridge Powers

(74) *Attorney, Agent, or Firm* — Alston & Bird LLP

(57) **CLAIM**

The ornamental design for a hair extension pouch, as shown and described.

**DESCRIPTION**

FIG. 1 is a perspective view of an embodiment of a hair extension pouch in a fully-open position according to my new design;

FIG. 2 is a front plan view thereof;

FIG. 3 is a left side elevation view thereof, the right side being a mirror image thereof;

FIG. 4 is a top elevation view thereof, the bottom elevation view being a mirror image thereof;

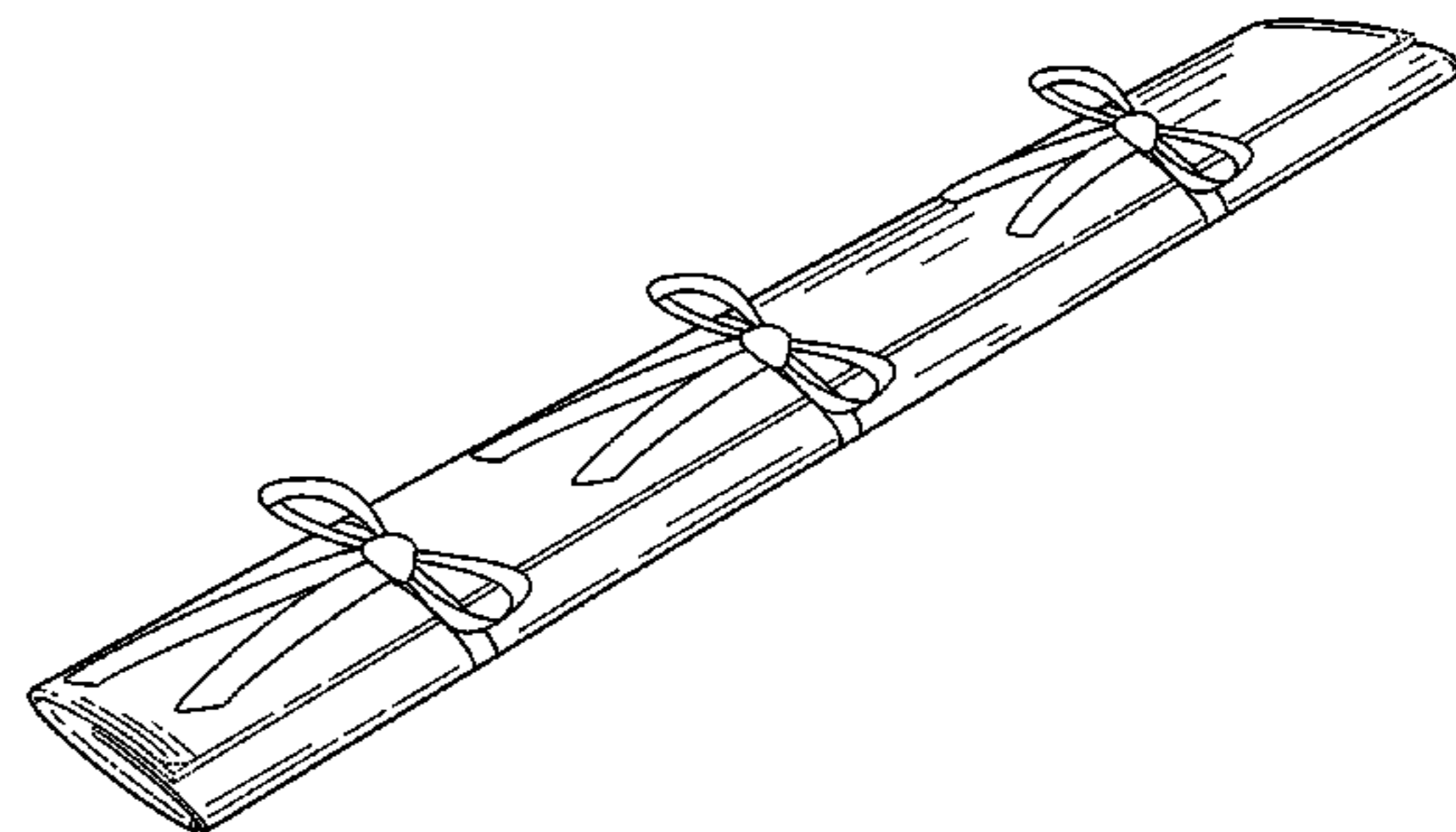
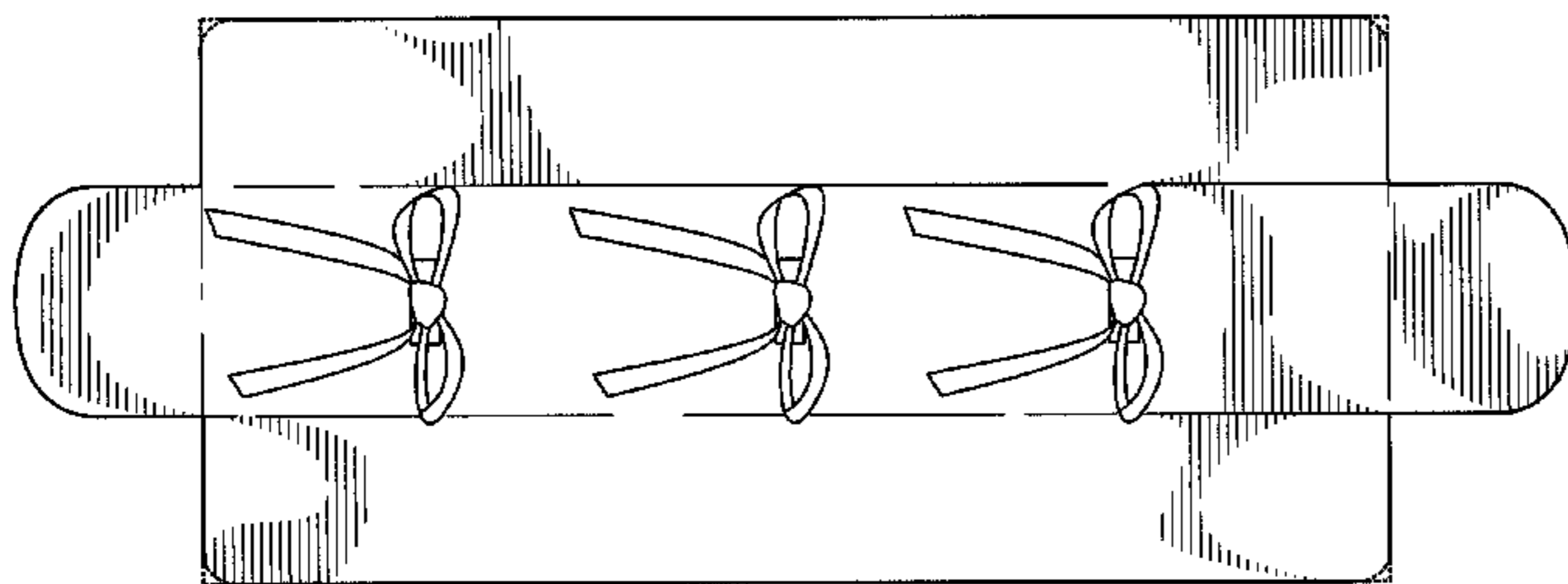
FIG. 5 is a back elevation view thereof;

FIG. 6 is a perspective view of the hair extension pouch according to FIG. 1 in a semi-open position; and,

FIG. 7 is a perspective view of the hair extension pouch according to FIG. 1 in a fully-closed position.

The inner rounded broken lines at the corners immediately adjacent the shaded areas represent bounds of the claimed design while the broken lines of the corners represent features of the article to which the design is applied. The broken lines form no part of the claimed design.

**1 Claim, 7 Drawing Sheets**



# US D644,426 S

Page 2

---

## U.S. PATENT DOCUMENTS

1,985,114	A *	12/1934	Storer	.....	229/68.1	3,522,908	A *	8/1970	Carrigan	.....	229/72
1,994,382	A *	3/1935	Berger	.....	206/278	3,967,726	A *	7/1976	Roeser	.....	206/306
2,269,915	A *	1/1942	Porter	.....	229/87.15	4,570,792	A *	2/1986	Conway	.....	206/349
2,320,018	A *	5/1943	Ullman	.....	229/120.18	D565,404	S *	4/2008	Doherty	.....	D9/709
2,351,882	A *	6/1944	Schwartzman	.....	206/287	D594,323	S *	6/2009	Friedman et al.	.....	D9/423
2,544,844	A *	3/1951	Liber	.....	40/649	D612,744	S *	3/2010	Childs	.....	D9/706
3,411,620	A *	11/1968	Steinbock	.....	206/364	2010/0127055	A1 *	5/2010	Zelina et al.	.....	229/116.5

\* cited by examiner

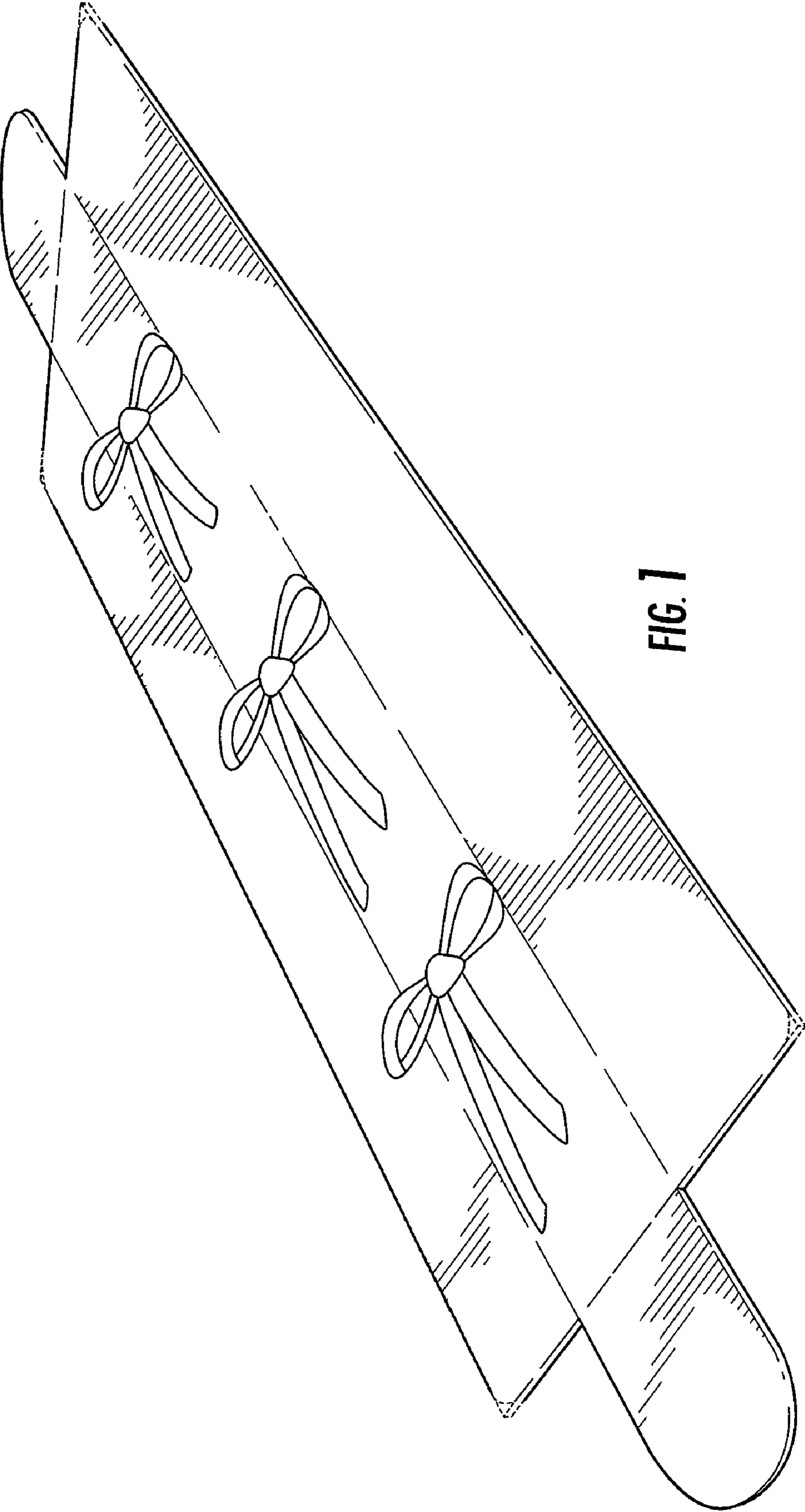


FIG. 1

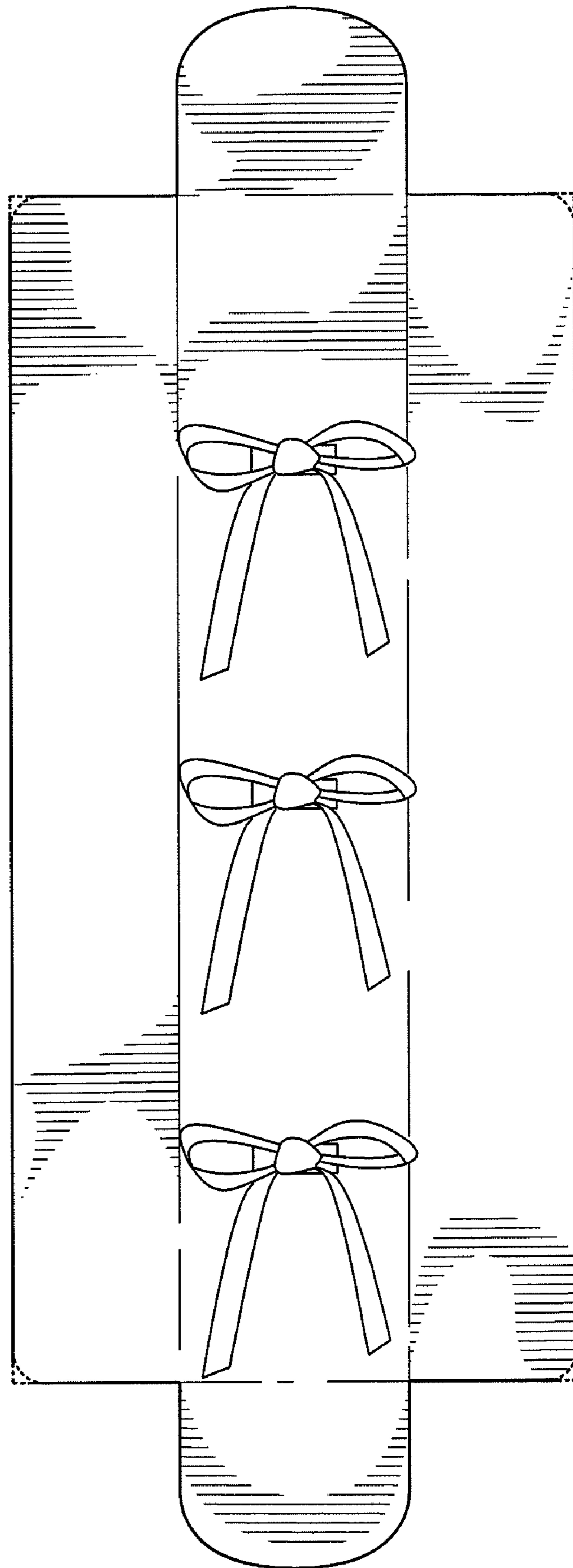


FIG. 2

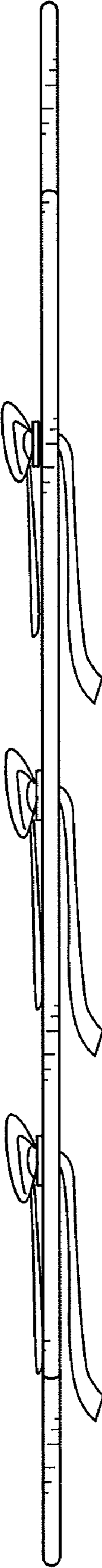


FIG. 3



**FIG. 4**

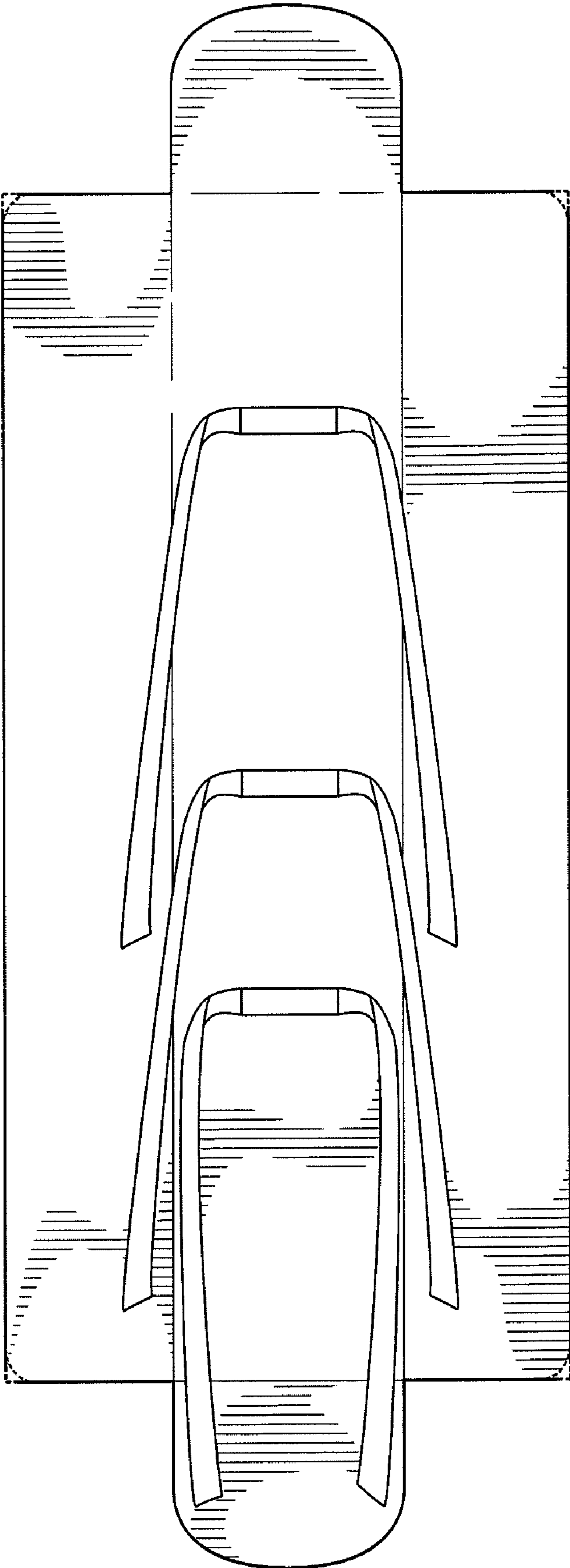


FIG. 5

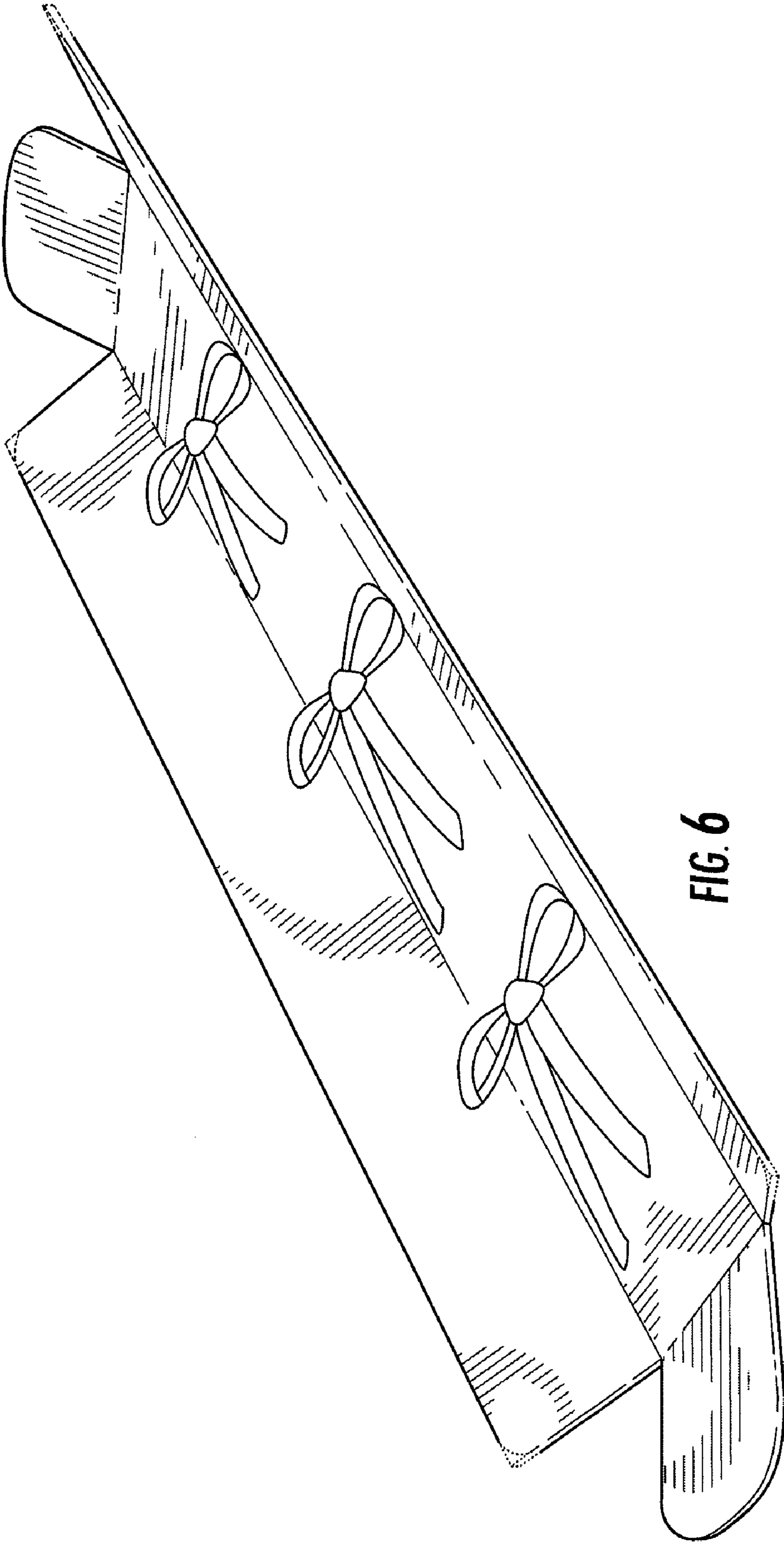


FIG. 6



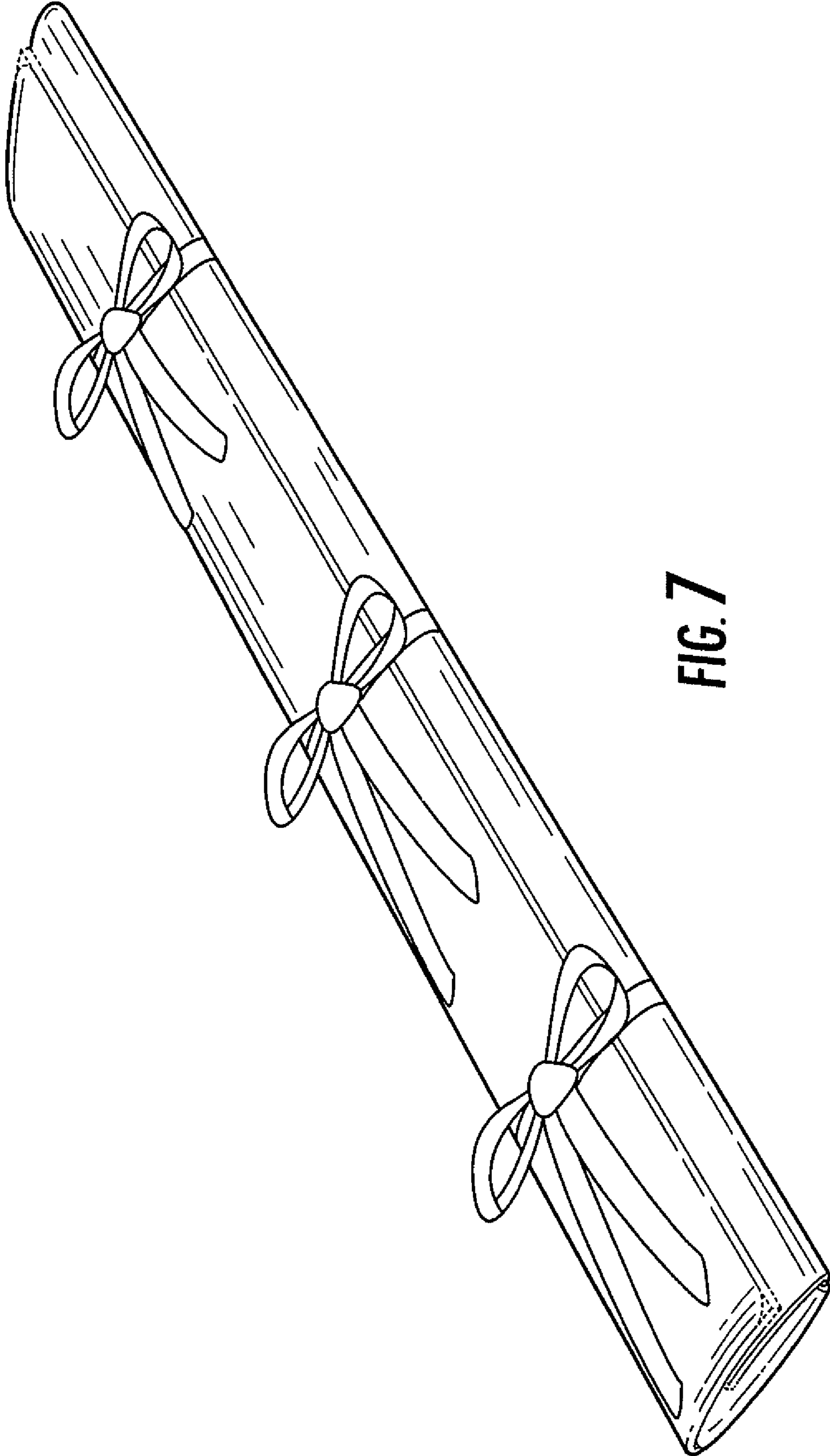


FIG. 7