



US00D644424S

(12) **United States Design Patent**
Paboojian et al.

(10) **Patent No.:** **US D644,424 S**

(45) **Date of Patent:** **** Sep. 6, 2011**

(54) **STORAGE DEVICE FOR AN INHALER**

(75) Inventors: **Stephen Paboojian**, Basel (CH);
George Perkins, Cambridge (GB);
Andrew Pidgeon, Cambridge (GB); **Lai**
Chiu Tang, Cambridge (GB); **Edward**
Vernon-Harcourt, West Sussex (GB)

(73) Assignee: **Novartis AG**, Basel (CH)

(**) Term: **14 Years**

(21) Appl. No.: **29/369,081**

(22) Filed: **Sep. 2, 2010**

(51) **LOC (9) Cl.** **03-01**

(52) **U.S. Cl.** **D3/203.1**

(58) **Field of Classification Search** D3/201-205;
224/148.5, 148.7, 196, 246, 674, 914, 669,
224/904, 683; 222/153.11, 162, 183, 402.1;
D28/85-87; 206/317

See application file for complete search history.

(56) **References Cited**

U.S. PATENT DOCUMENTS

D155,393 S * 10/1949 D'Escayrac D28/85
2,838,170 A * 6/1958 Isele D28/85

5,002,214 A * 3/1991 Caranci 224/669
5,458,263 A * 10/1995 Ciammitti et al. 222/153.11
D368,364 S * 4/1996 Reitano et al. D3/215
5,570,817 A * 11/1996 Anderson et al. 222/153.11
D377,861 S * 2/1997 Jacober D3/203.1
D631,648 S * 2/2011 Pullin D3/203.1

* cited by examiner

Primary Examiner — Catheri Oliver

(74) *Attorney, Agent, or Firm* — Design IP

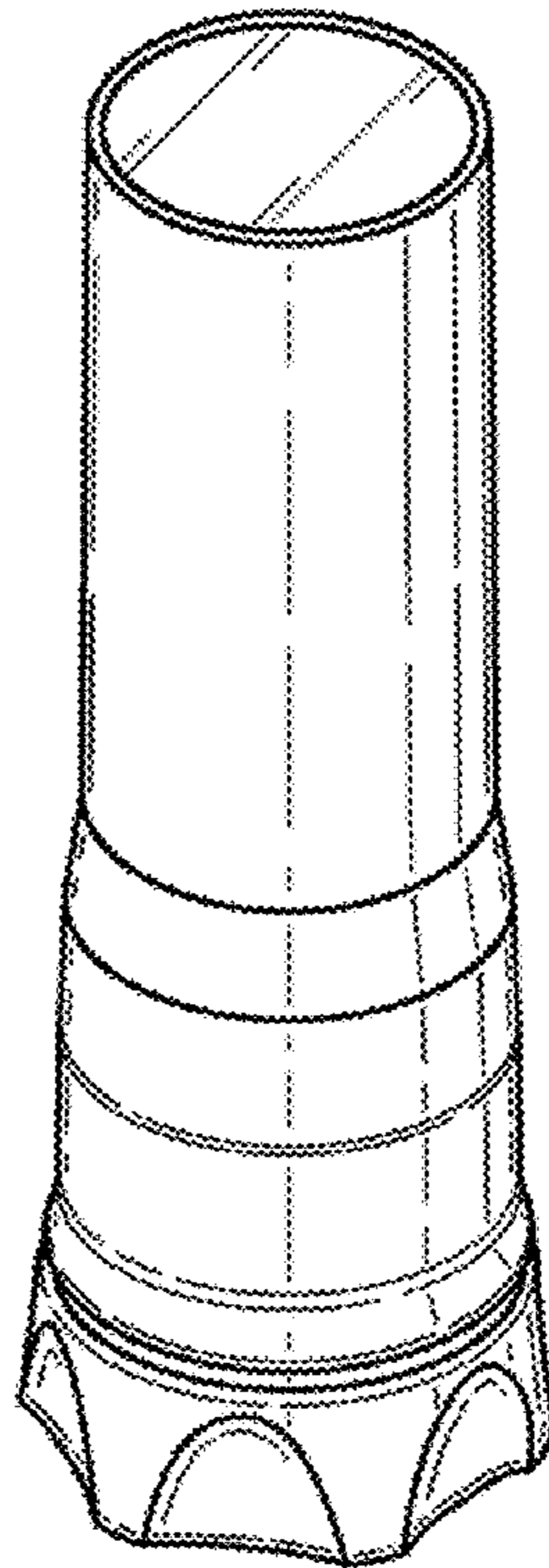
(57) **CLAIM**

The ornamental design for a storage device for an inhaler, as shown and described.

DESCRIPTION

FIG. 1 is a front top perspective view of a first embodiment of a storage device for an inhaler showing our design; FIG. 2 is a right side orthographic view thereof; FIG. 3 is a left side orthographic view thereof; FIG. 4 is a front orthographic view thereof; FIG. 5 is a rear orthographic view thereof; FIG. 6 is a top orthographic view thereof; and, FIG. 7 is a bottom orthographic view thereof.

1 Claim, 3 Drawing Sheets



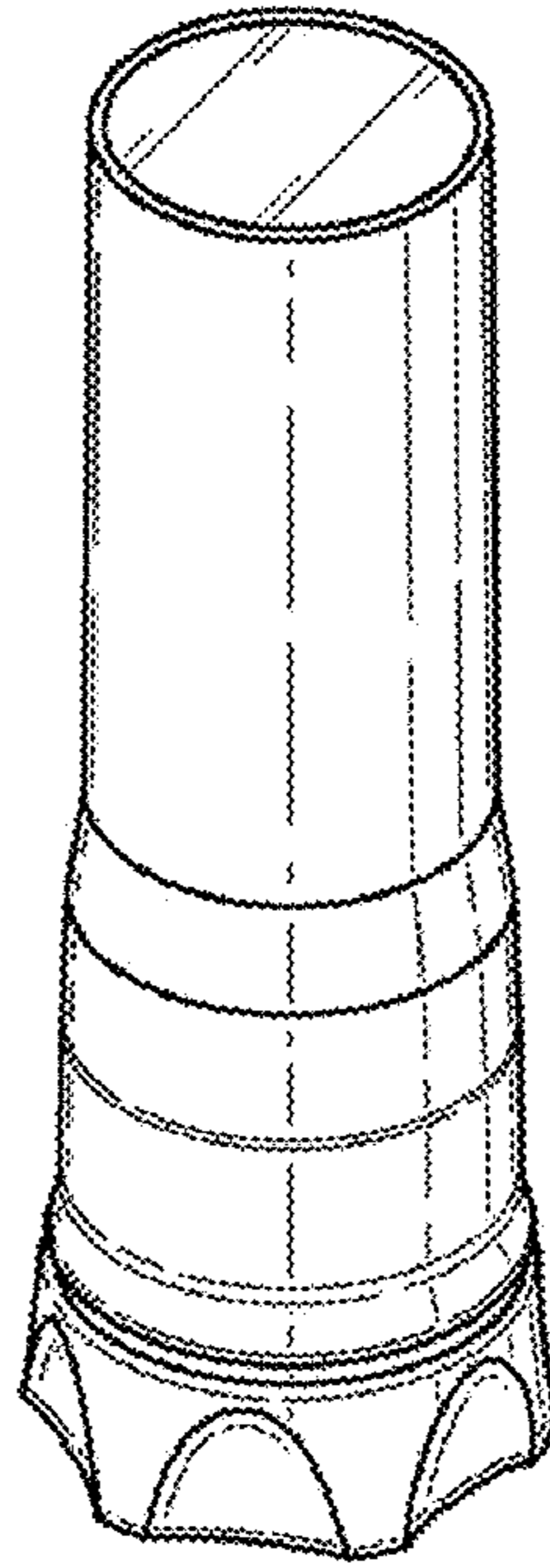


FIG. 1

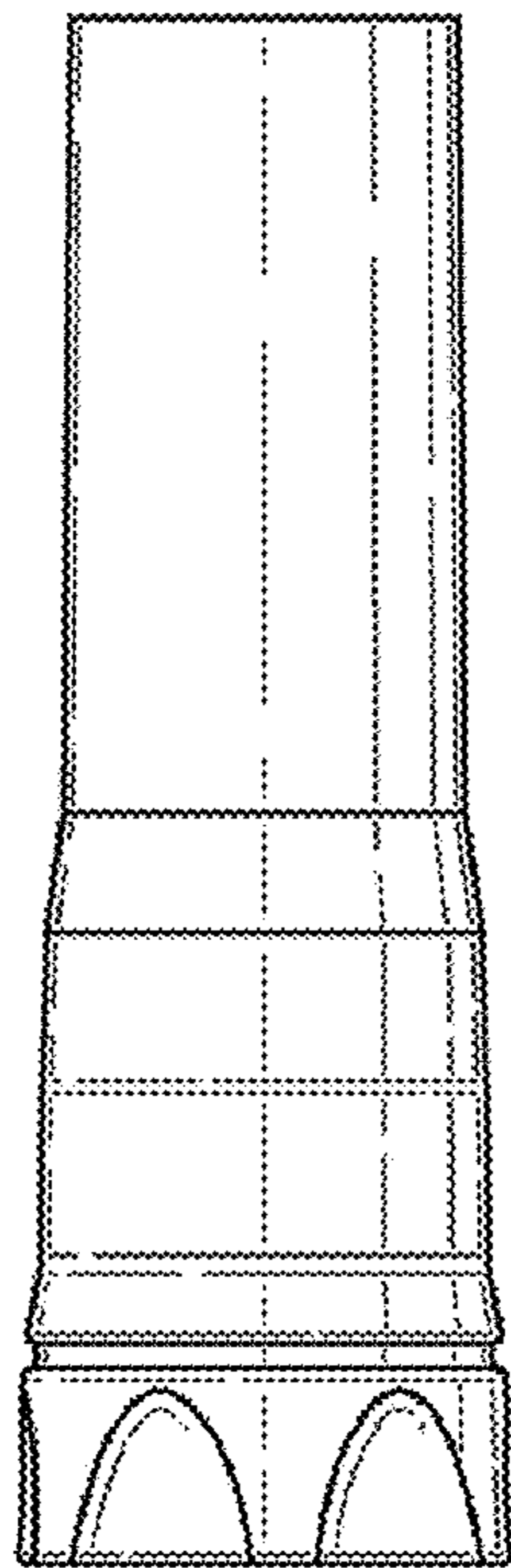


FIG. 2

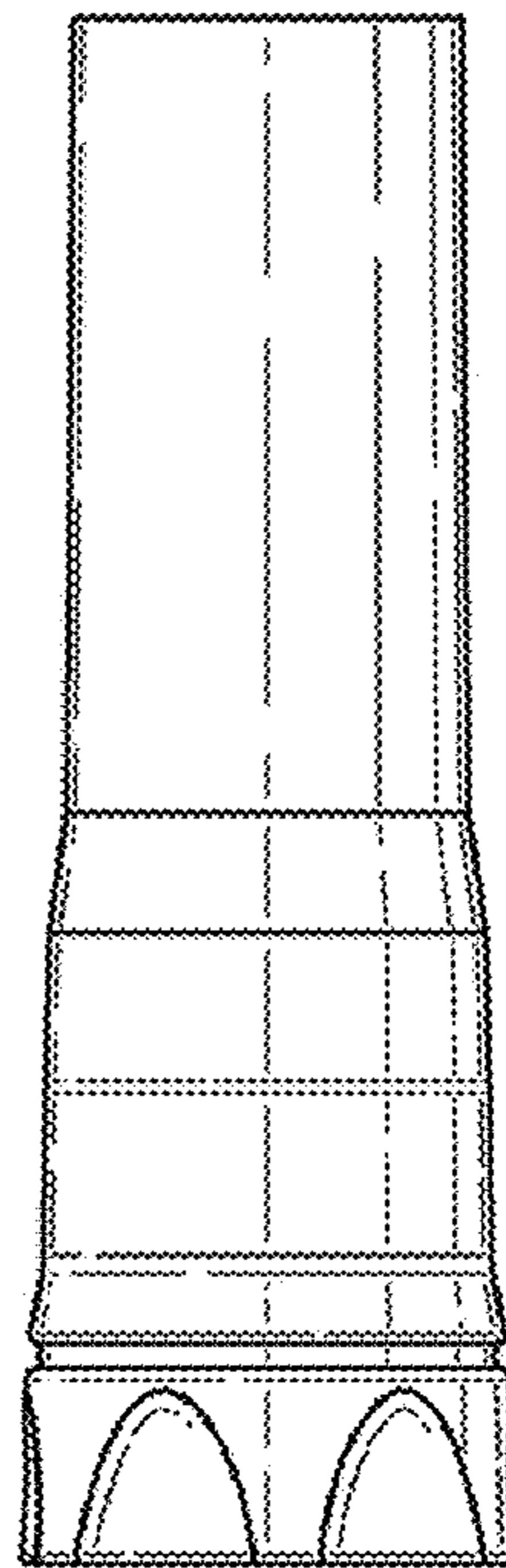


FIG. 3

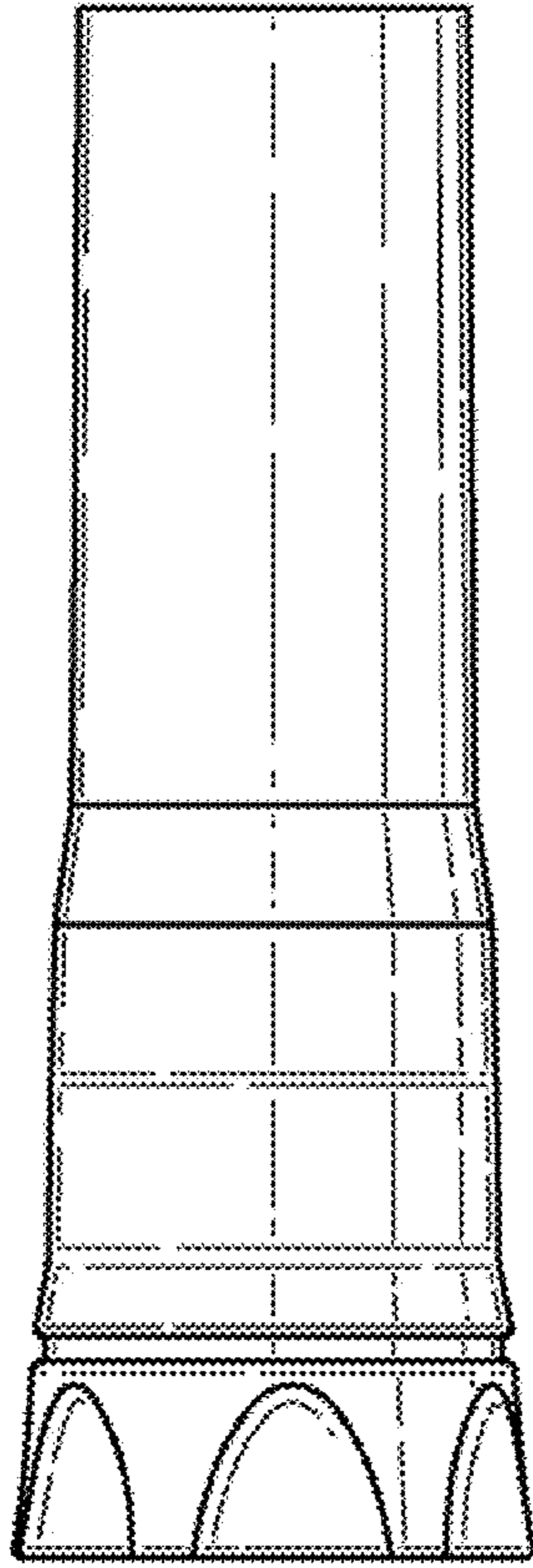


FIG. 4

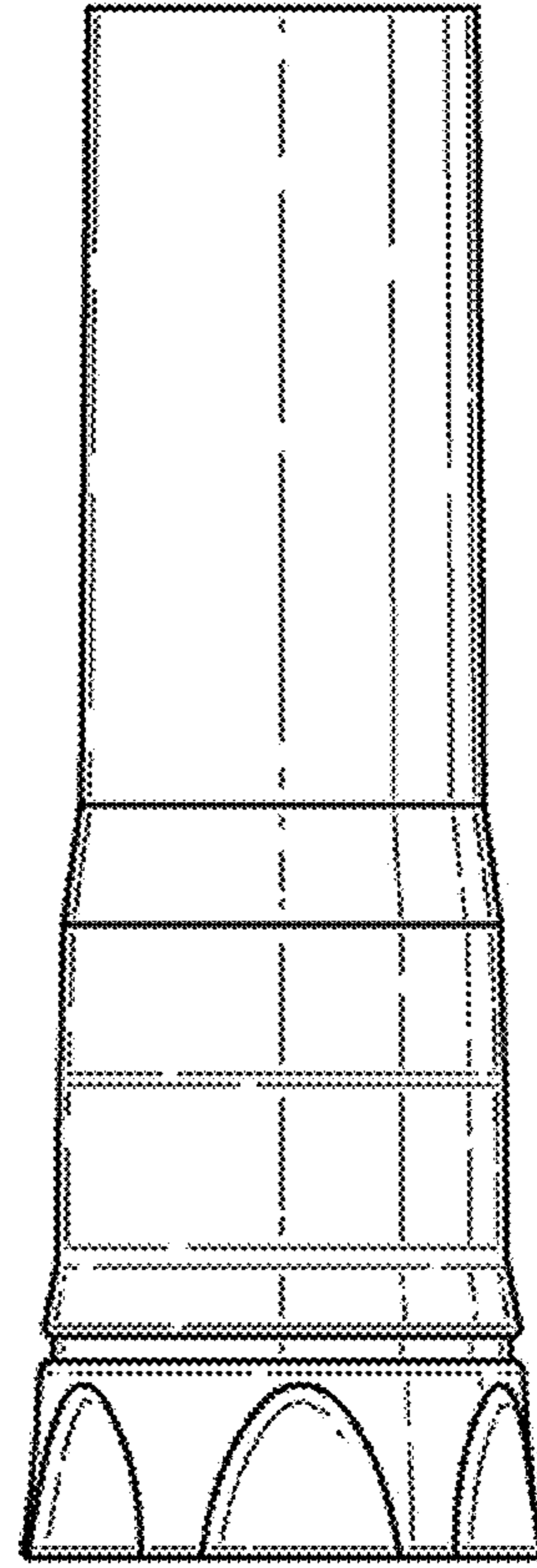


FIG. 5

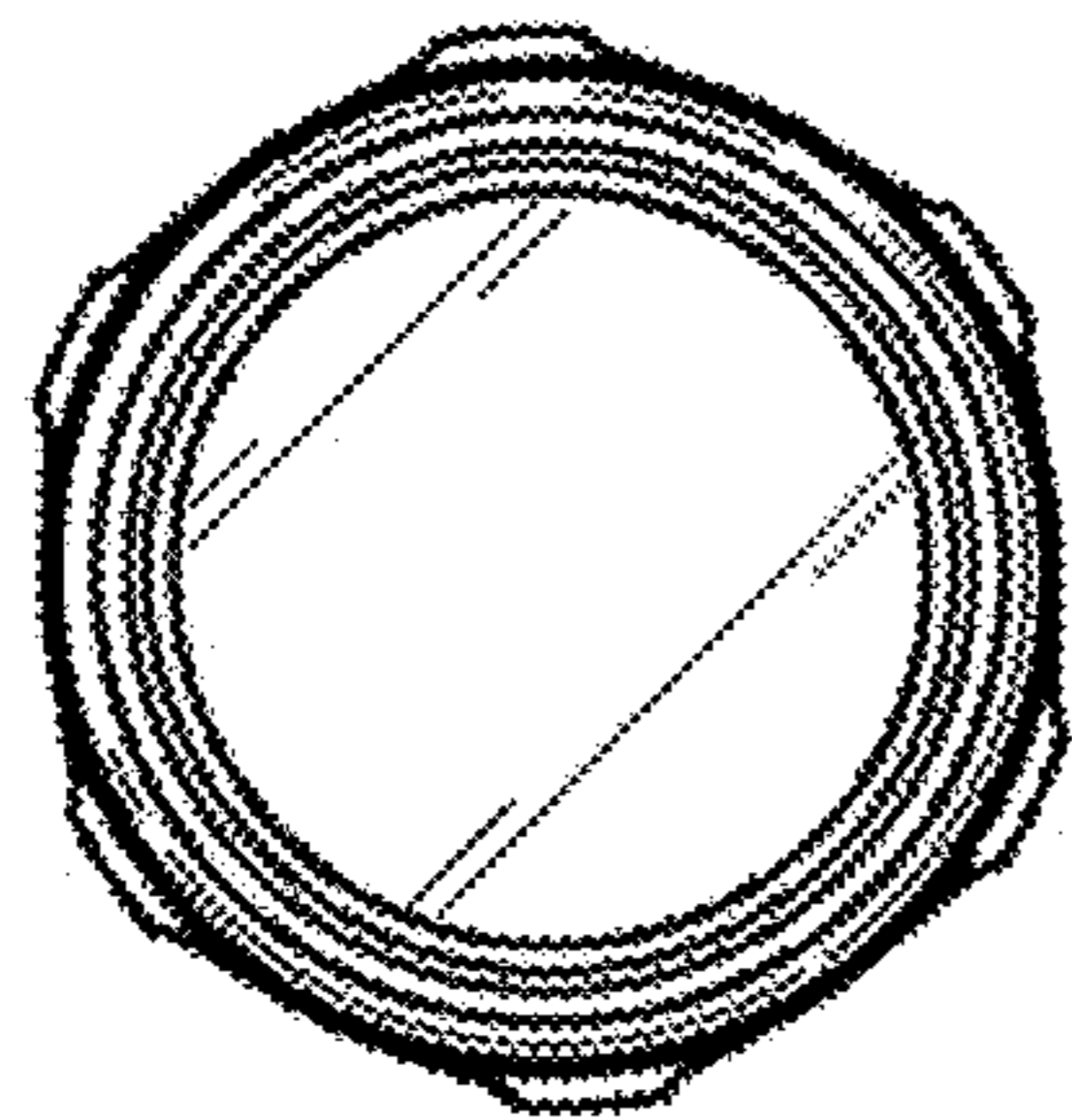


FIG. 6

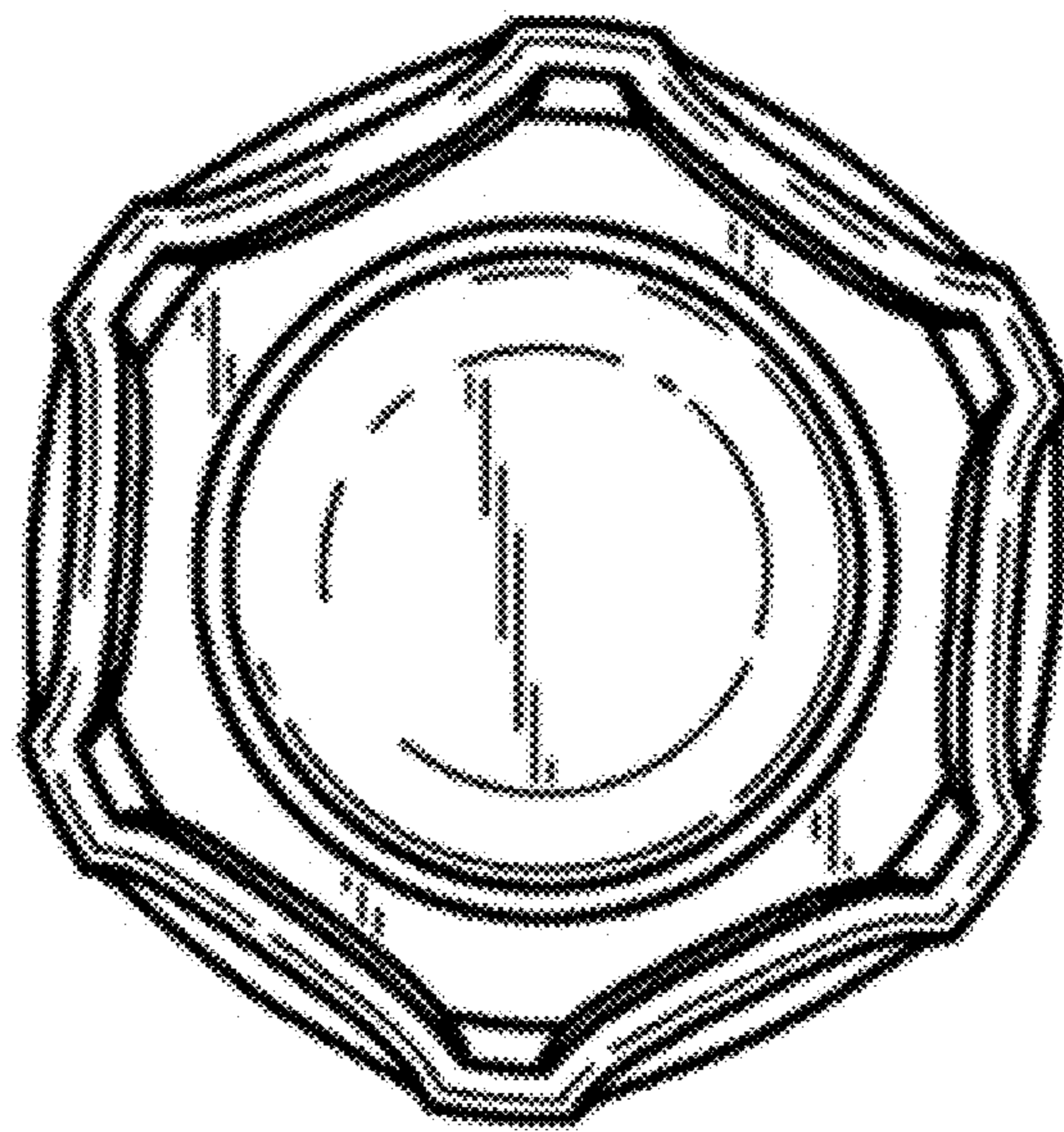


FIG. 7