



US00D644413S

(12) **United States Design Patent**
Keall et al.

(10) **Patent No.:** **US D644,413 S**

(45) **Date of Patent:** **** Sep. 6, 2011**

(54) **BABY WRAP**

(75) Inventors: **Joanne Kim Keall**, Hamilton (NZ);
Joanne Alice Bond, Hamilton (NZ)

(73) Assignee: **Mum 2 Mum**, Hamilton (NZ)

(**) Term: **14 Years**

(21) Appl. No.: **29/351,951**

(22) Filed: **Dec. 14, 2009**

(30) **Foreign Application Priority Data**

Jun. 12, 2009 (NZ) 412386

(51) **LOC (9) Cl.** **02-01**

(52) **U.S. Cl.** **D2/719; D2/718**

(58) **Field of Classification Search** D2/720,
D2/724, 725, 823, 826, 719, 718, 860, 861;
D6/595-596, 601-603, 605-606, 608; 2/49.1,
2/55, 69, 69.5; 5/413 R, 482, 494; 224/158
See application file for complete search history.

(56) **References Cited**

U.S. PATENT DOCUMENTS

3,693,190	A *	9/1972	Hickling	2/69.5
3,739,399	A *	6/1973	Sheahon	2/69.5
5,129,406	A *	7/1992	Magnusen et al.	2/69.5
6,009,576	A *	1/2000	Gramme et al.	5/413 R
6,145,932	A *	11/2000	Hamel-Nyhus et al.	5/494
D448,914	S *	10/2001	Caudill	D2/719
6,757,922	B2 *	7/2004	Chancey	5/482
6,839,924	B2 *	1/2005	Sims	5/494
6,868,566	B2 *	3/2005	Gatten	5/494
D513,357	S *	1/2006	Allard	D2/719
D518,942	S *	4/2006	Dandrea	D2/719
7,076,819	B2 *	7/2006	Trani et al.	5/494
7,181,789	B2 *	2/2007	Gatten	5/494
D539,585	S *	4/2007	VanGelder	D6/603
7,587,769	B1 *	9/2009	McDermott	5/494
2010/0218314	A1 *	9/2010	Mulheron	5/494

* cited by examiner

Primary Examiner — Ian Simmons

Assistant Examiner — Wan Laymon

(74) *Attorney, Agent, or Firm* — Young & Thompson

(57) **CLAIM**

The ornamental design for a baby wrap, as shown and described.

DESCRIPTION

FIG. 1 is a top plan view of a baby wrap showing our new design, illustrating the wrap in an unzipped configuration;

FIG. 2 is a view similar to FIG. 1 showing the wrap in a fully closed configuration;

FIG. 3 is another view similar to FIG. 2 showing the wrap with the right arm in a folded configuration;

FIG. 4 is a view similar to FIG. 3 showing the wrap having both arms in a folded configuration;

FIG. 5 is a view similar to FIG. 1, showing the wrap with the baby in an unzipped configuration;

FIG. 6 is a view similar to FIG. 4, showing the wrap with the baby having both arms in a folded configuration;

FIG. 7 is a top view of FIG. 1;

FIG. 8 is a bottom view of FIG. 1;

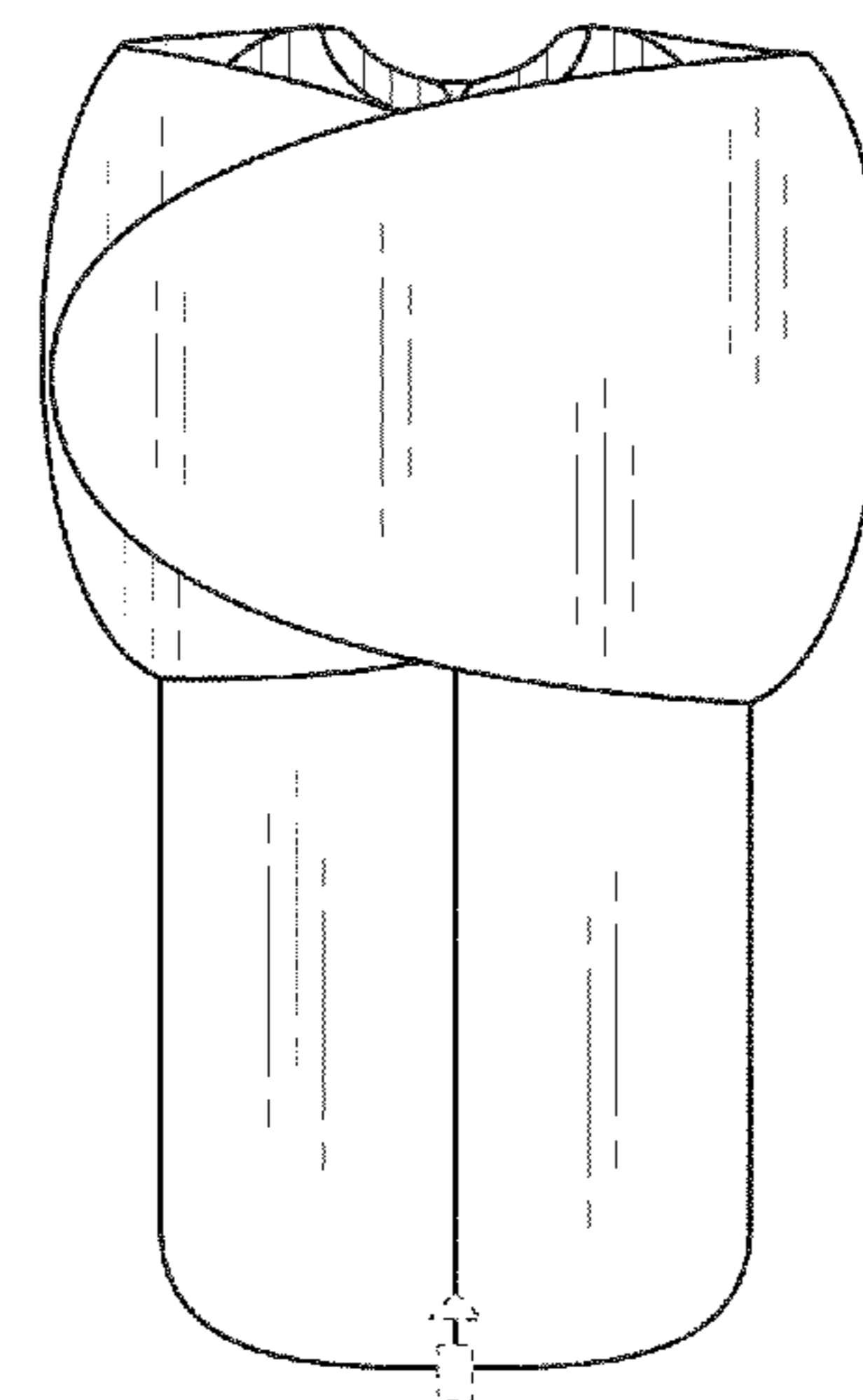
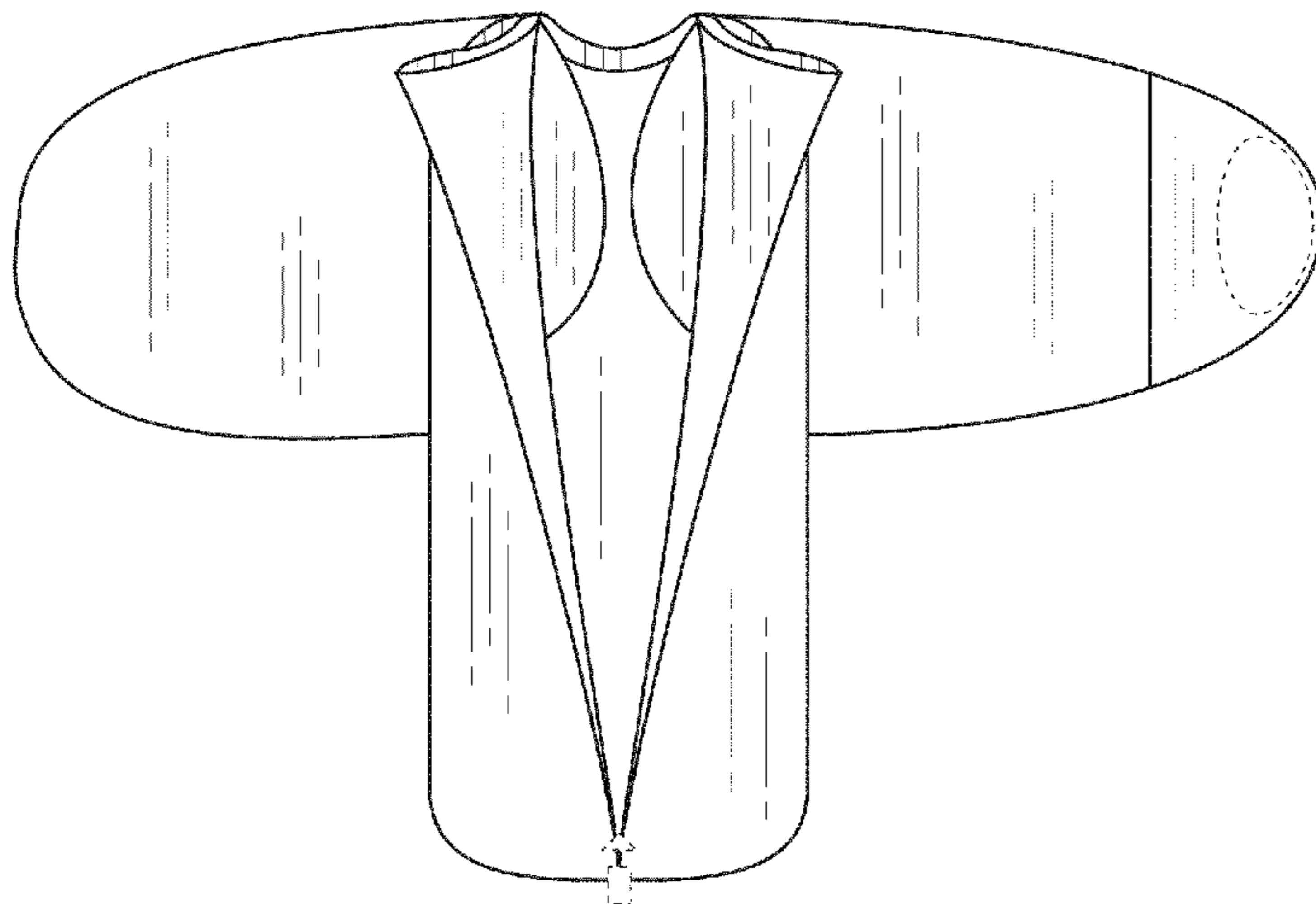
FIG. 9 is a bottom plan view of FIG. 1;

FIG. 10 is a left side view of FIG. 1; and,

FIG. 11 is a right side view of FIG. 1.

The broken lines showing an outline of a human face in FIGS. 5 and 6 represent environmental structure and form no part of the claimed design. The broken line forming a circle and semi-circular in the sleeves represents a boundary of the design, with the line itself and the area within forming no part of the claim. The broken lines that show the pull tab of the zipper throughout the views represent a portion of the design that forms no part of the claim. None of the broken lines form any part of the claimed design.

1 Claim, 4 Drawing Sheets



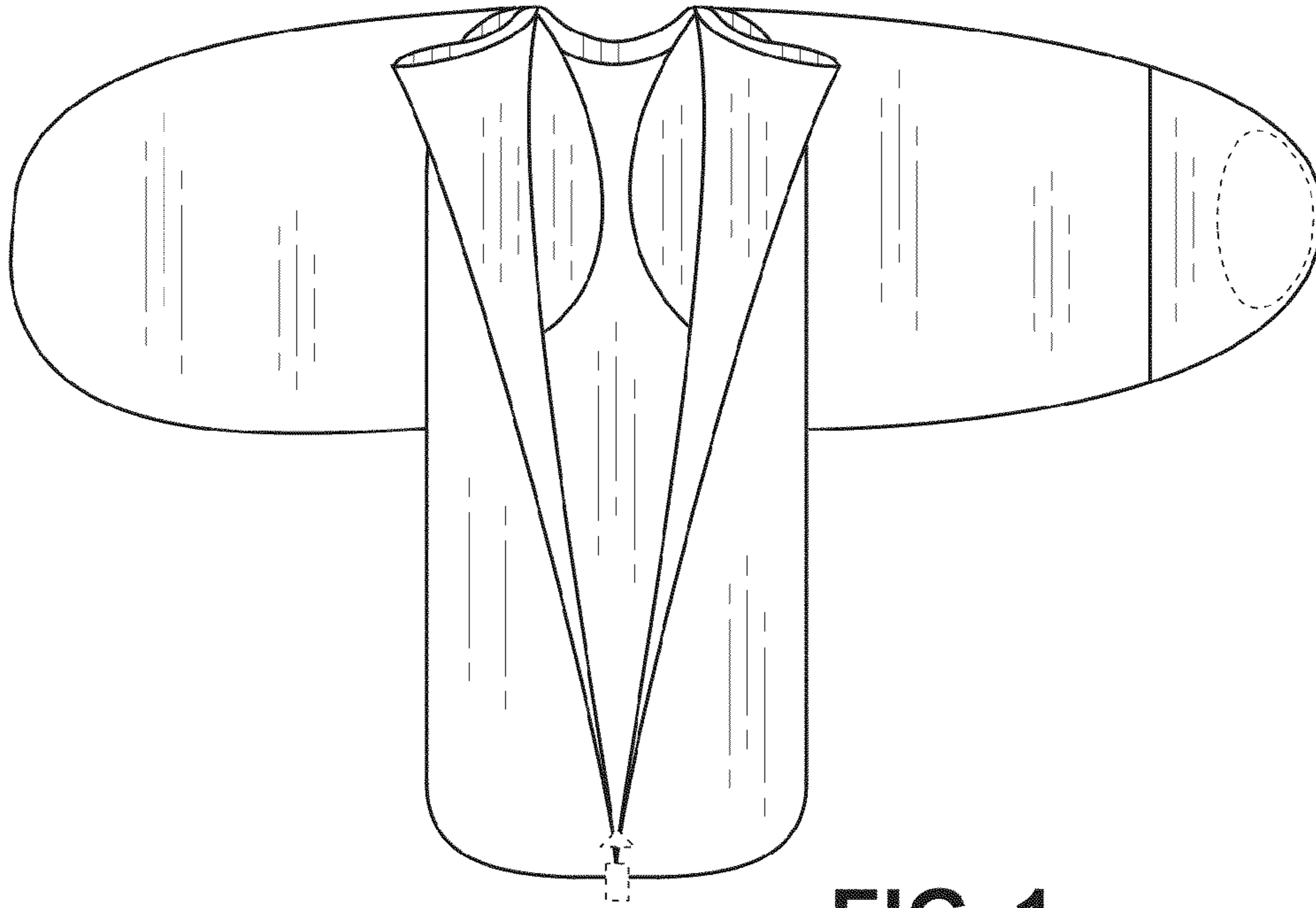


FIG. 1

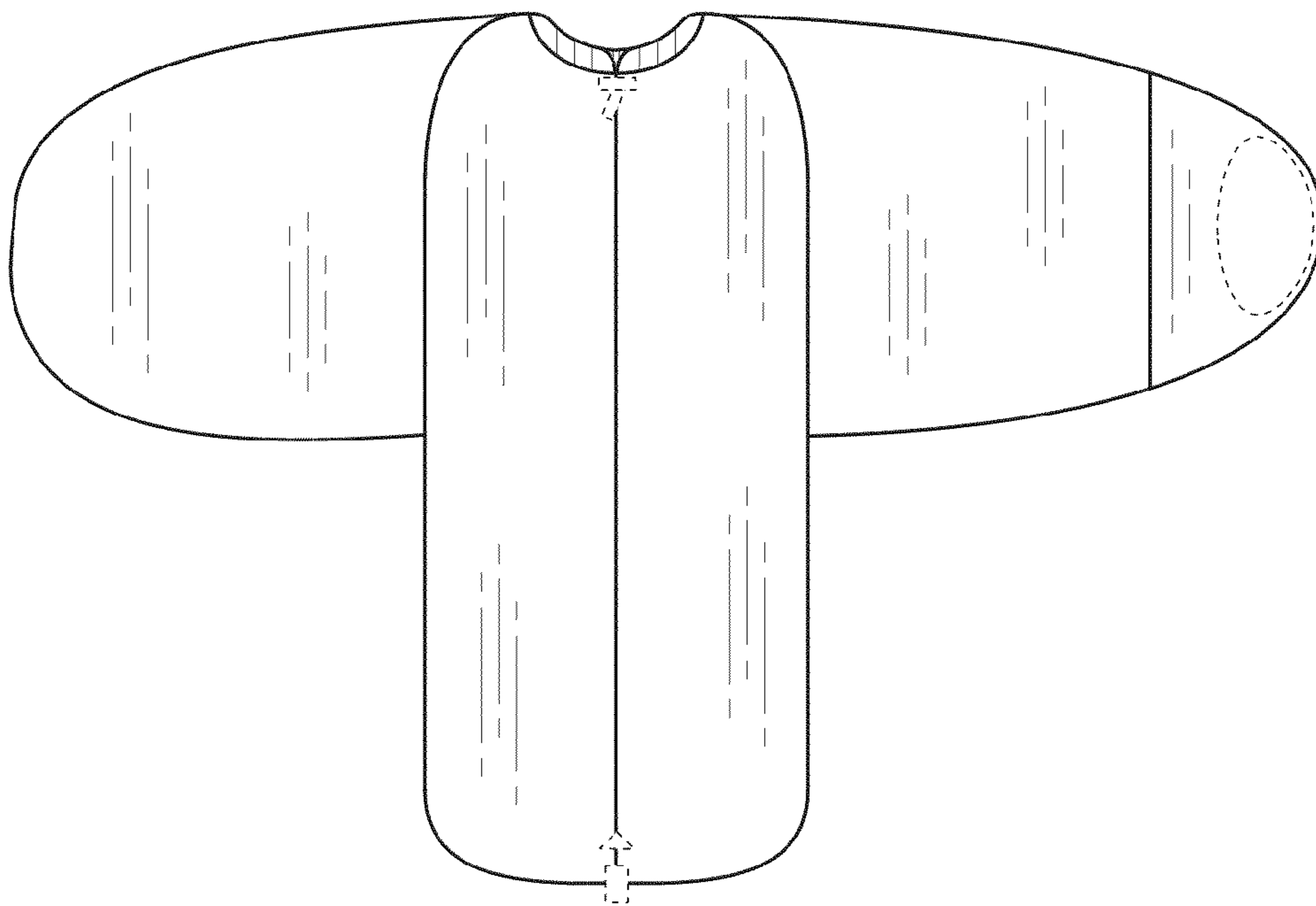


FIG. 2

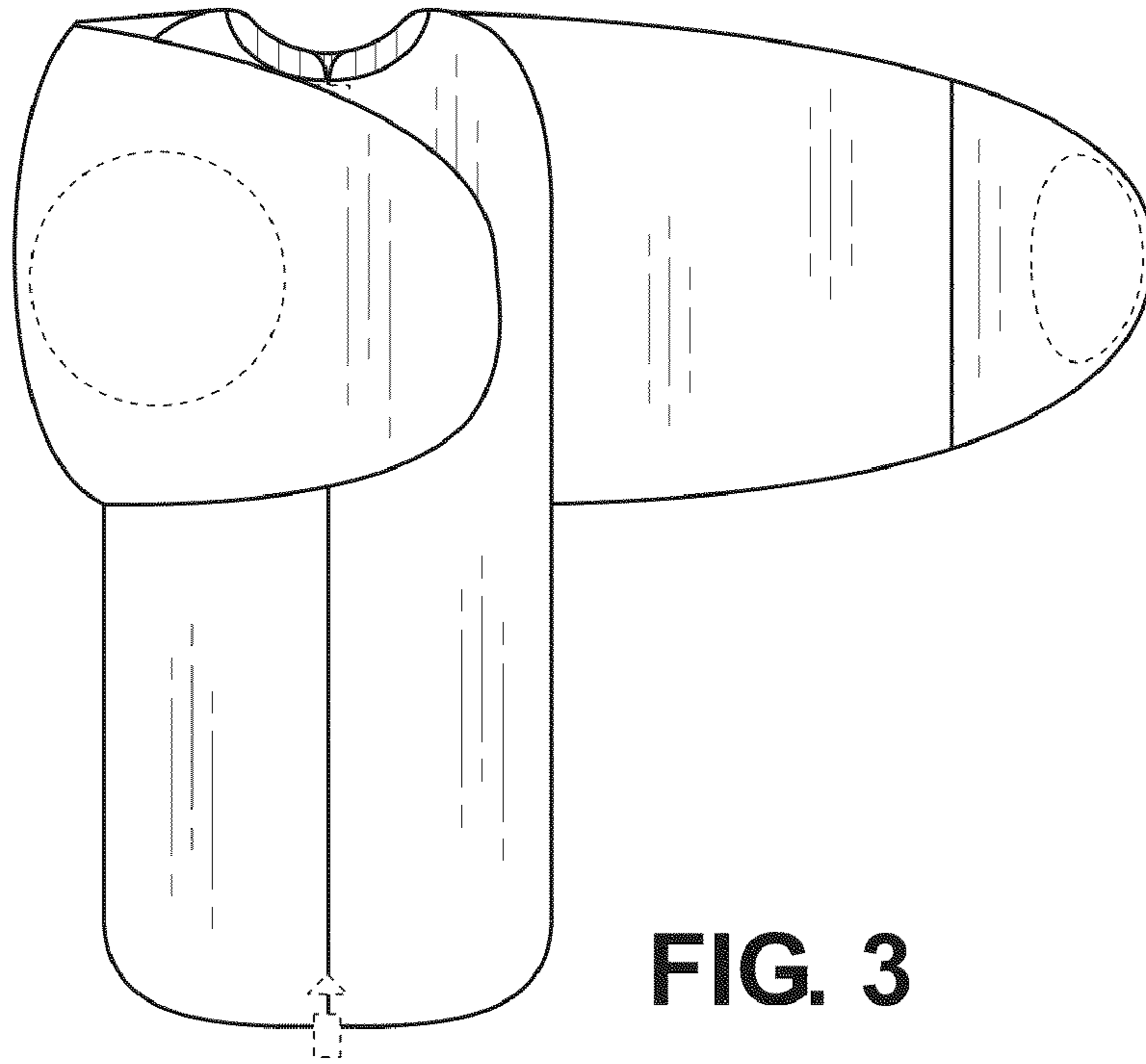


FIG. 3

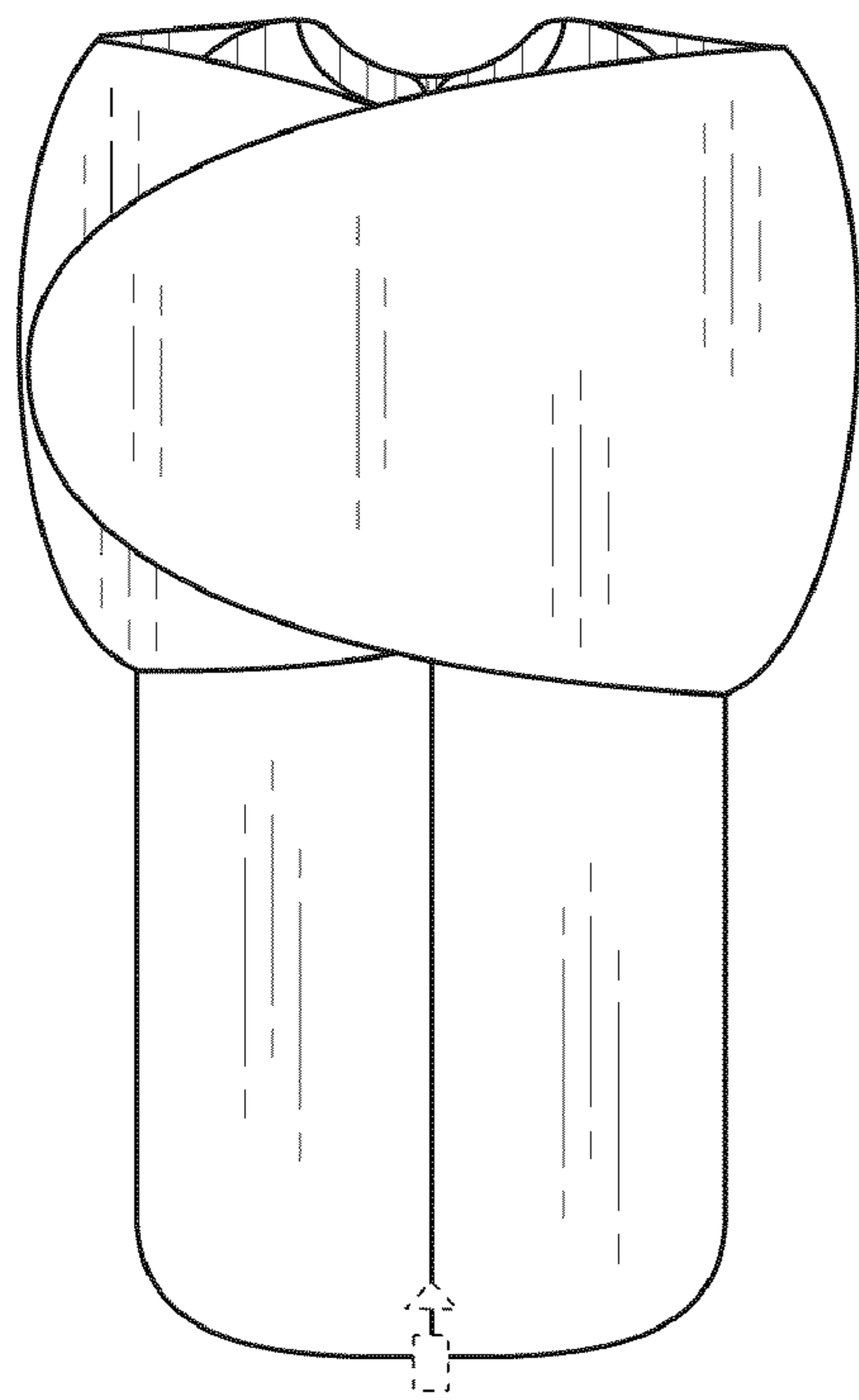


FIG. 4

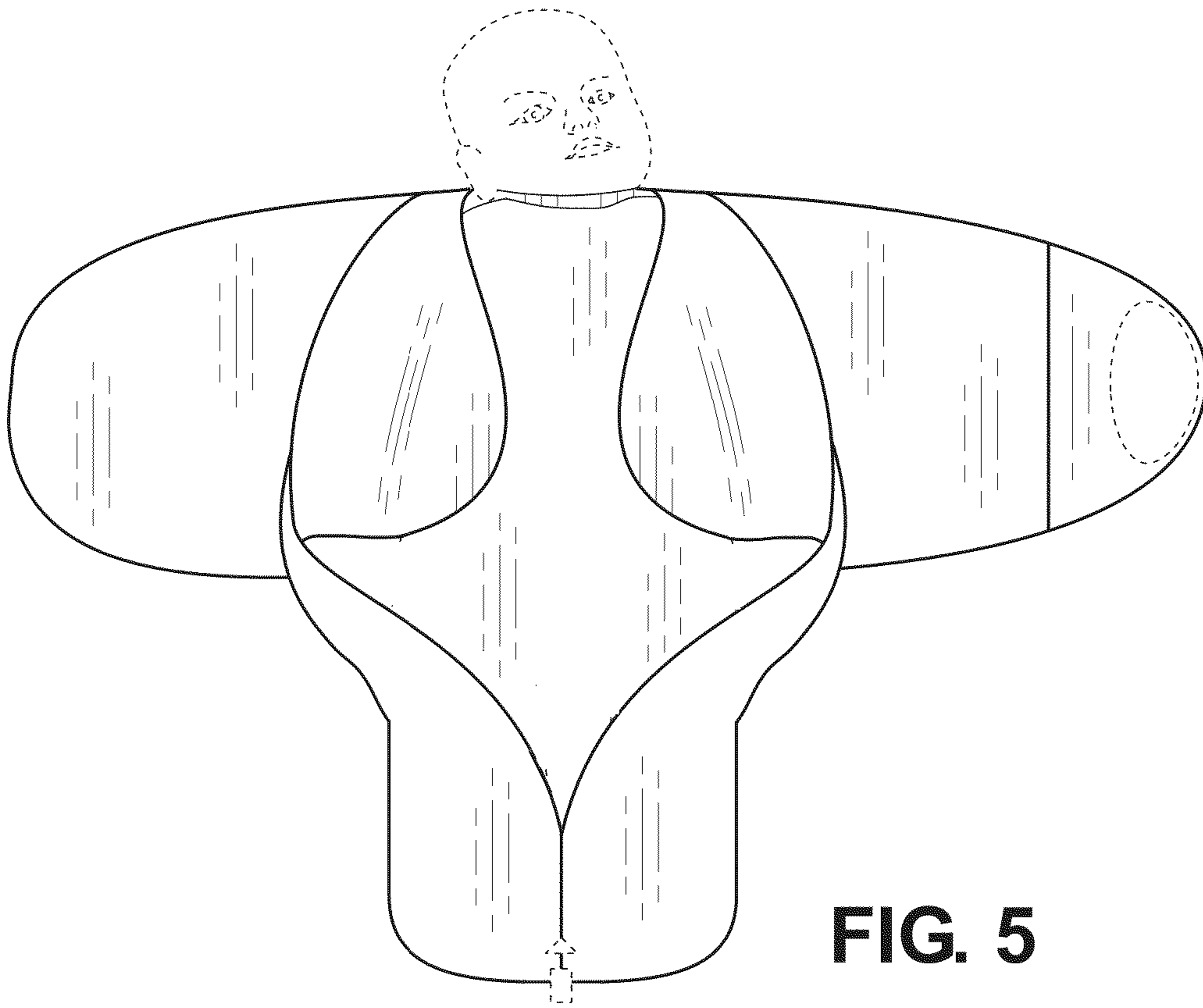


FIG. 5

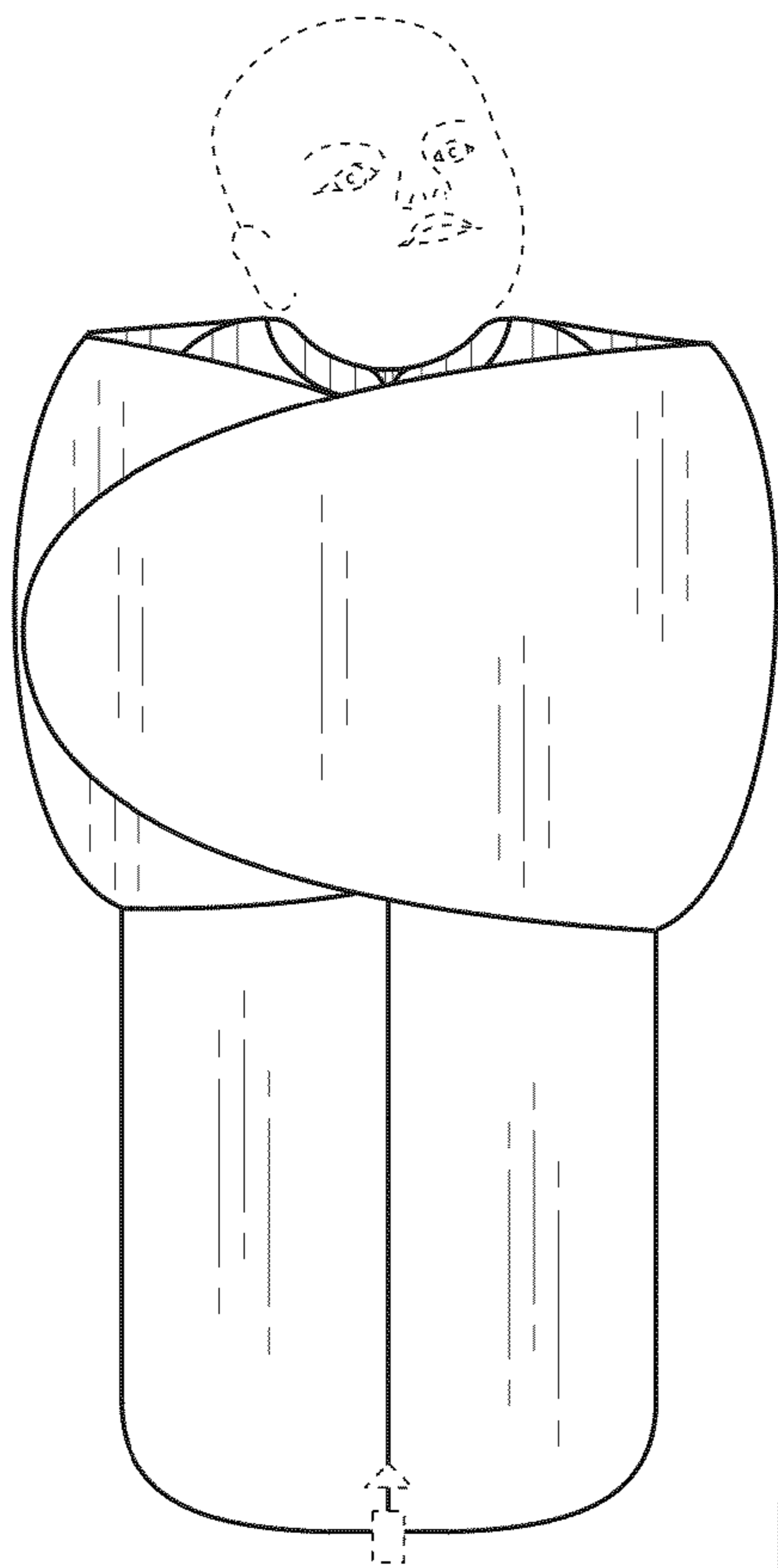


FIG. 6

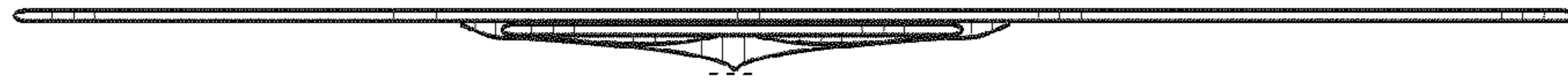


FIG. 7

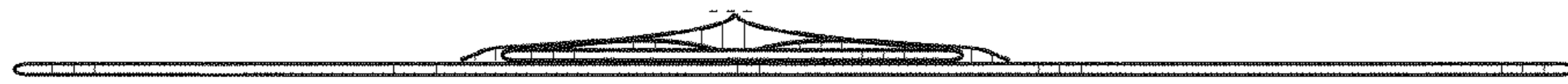


FIG. 8

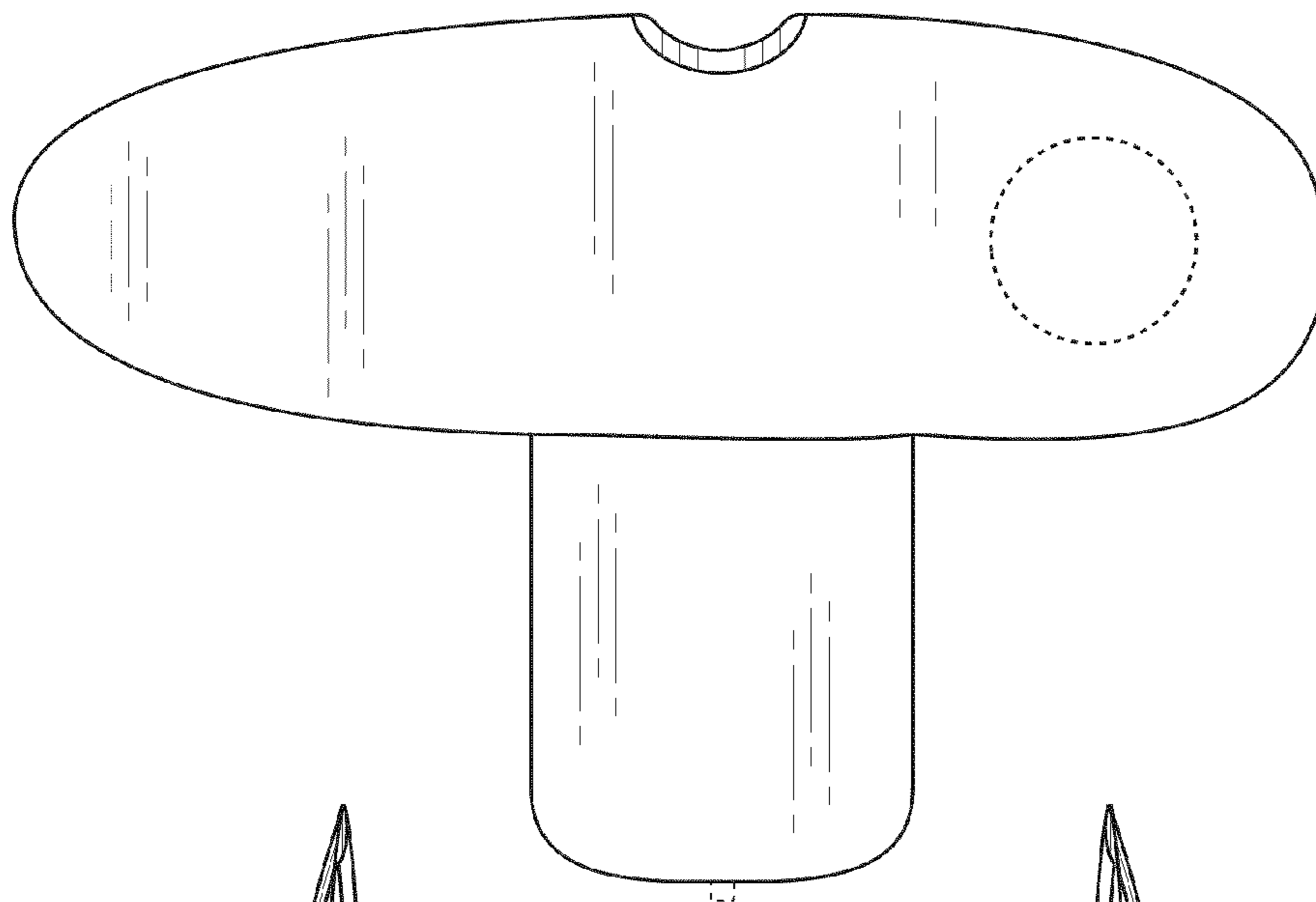


FIG. 9



FIG. 10



FIG. 11