



US00D644404S

(12) **United States Design Patent**  
**Lee et al.**

(10) **Patent No.:** **US D644,404 S**  
(45) **Date of Patent:** **\*\* Aug. 30, 2011**

(54) **ADJUSTABLE PEDESTAL**

(75) Inventors: **Alan Sian Ghee Lee**, Singapore (SG);  
**Henry Greaves**, Watsons Bay (AU)

(73) Assignee: **Alan Sian Ghee Lee**, Singapore (SG)

(\*\*) Term: **14 Years**

(21) Appl. No.: **29/356,680**

(22) Filed: **Mar. 1, 2010**

(30) **Foreign Application Priority Data**

Sep. 4, 2009 (AU) ..... 13469/2009

(51) **LOC (9) Cl.** ..... **12-05**

(52) **U.S. Cl.** ..... **D34/35**

(58) **Field of Classification Search** ..... D34/35;  
254/93 R, 1, 18 R, 2 R, 11, 12, 13, DIG. 8,  
254/133 R; D12/187; D13/183

See application file for complete search history.

(56) **References Cited**

**U.S. PATENT DOCUMENTS**

D312,442 S \* 11/1990 Whitley, II ..... D12/197  
D331,064 S \* 11/1992 Wilson et al. .... D15/5

D341,016 S \* 11/1993 Wada et al. .... D34/35  
D347,920 S \* 6/1994 Sell ..... D34/35  
D356,417 S \* 3/1995 Petre ..... D34/35  
D425,281 S \* 5/2000 Ridge ..... D34/31  
D431,512 S \* 10/2000 Pink ..... D12/197  
D443,747 S \* 6/2001 Ridge ..... D34/31  
D509,039 S \* 8/2005 Peschmann et al. .... D34/31  
D548,422 S \* 8/2007 Lee et al. .... D34/35

\* cited by examiner

*Primary Examiner* — Cynthia Ramirez

(57) **CLAIM**

The ornamental design for an adjustable pedestal, as shown and described.

**DESCRIPTION**

FIG. 1 is a bottom view of an adjustable pedestal showing our new design;

FIG. 2 is an isometric view thereof;

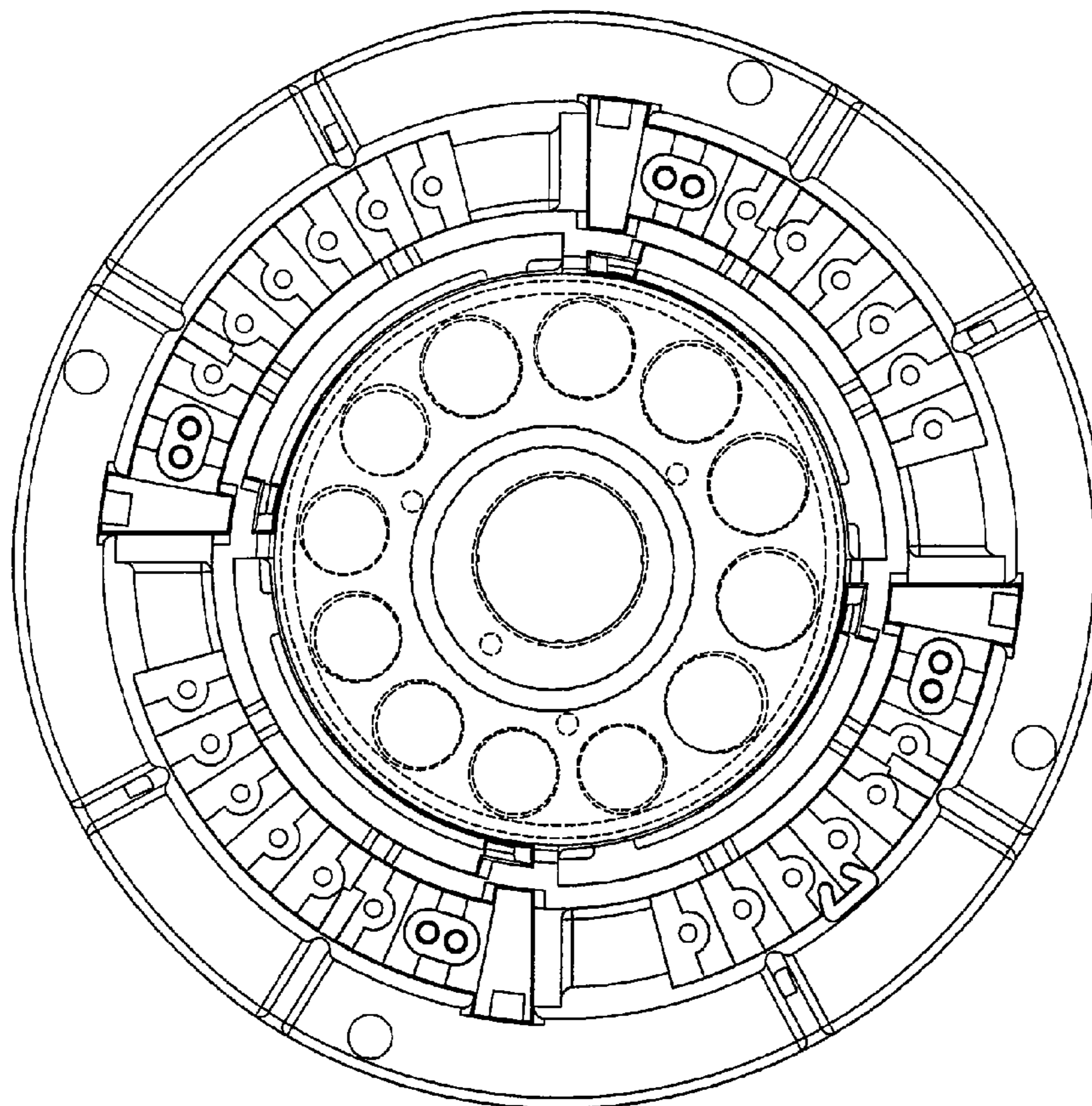
FIG. 3 is an inverted isometric view thereof;

FIG. 4 is a left side view, the rear and the front view being identical to the left view thereof; and,

FIG. 5 is a top view thereof.

The broken line showing in the figures is included for the purpose of illustrating environment and forms no part of the claimed design.

**1 Claim, 4 Drawing Sheets**



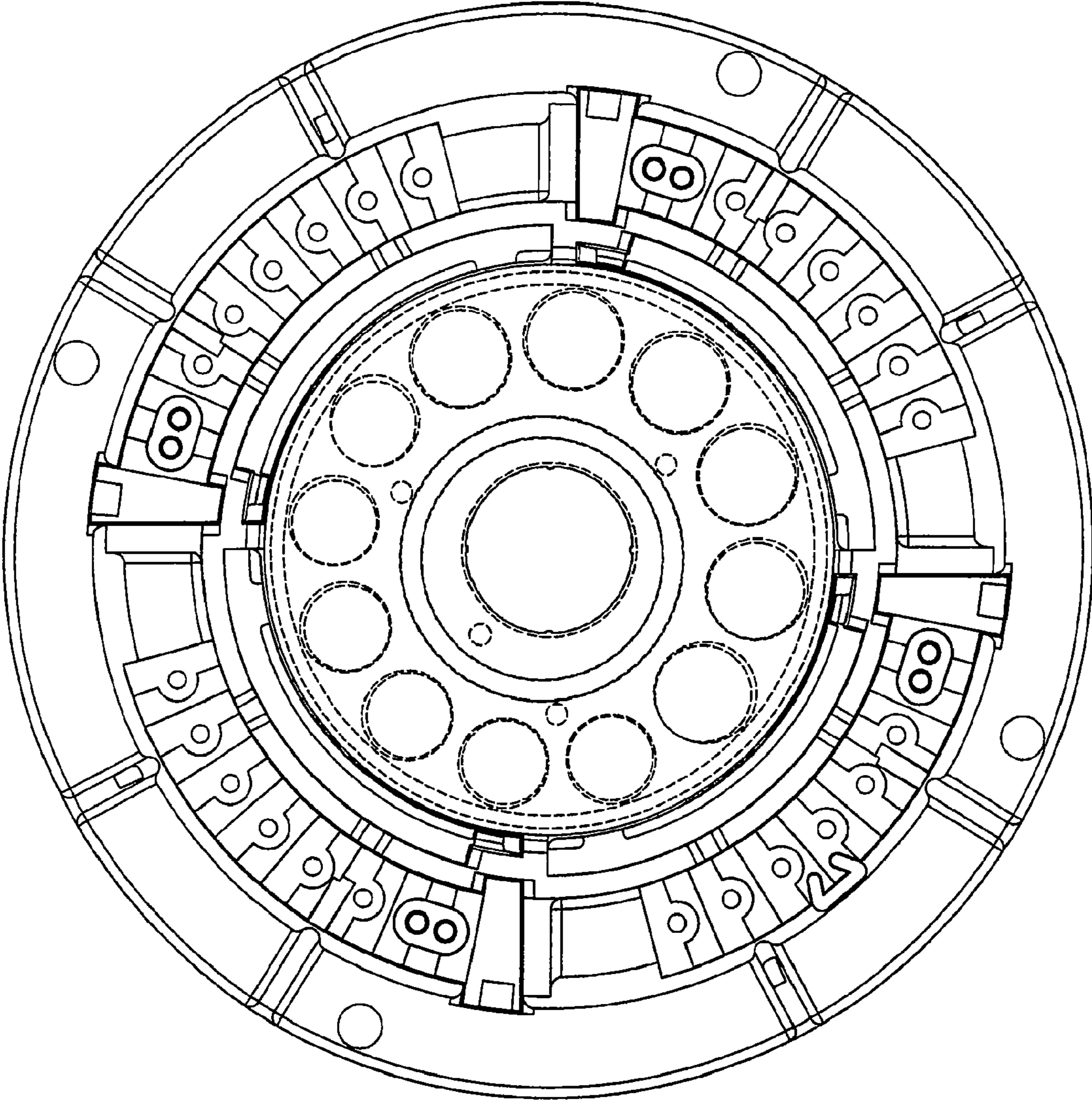


Figure 1

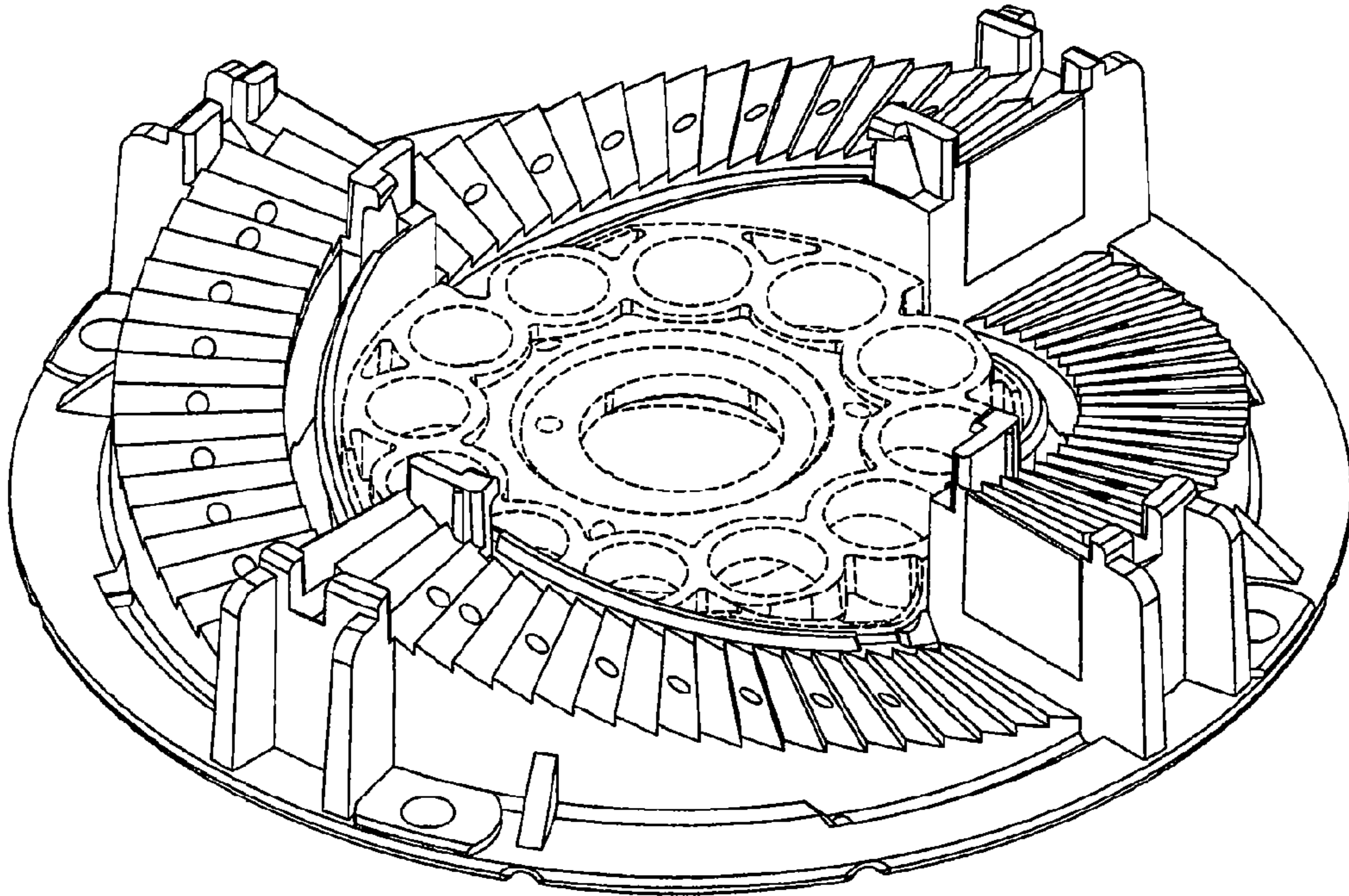


Figure 2

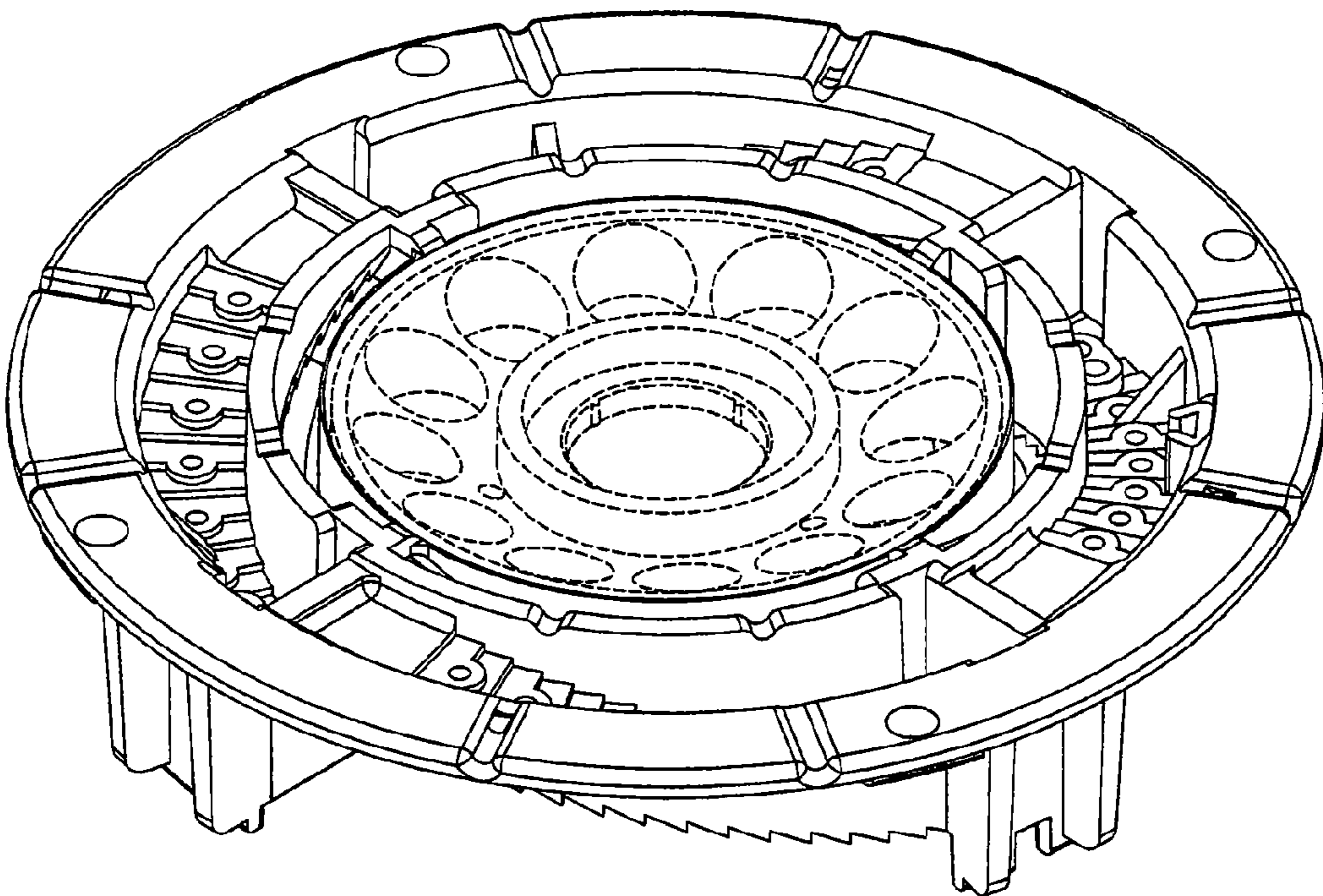


Figure 3

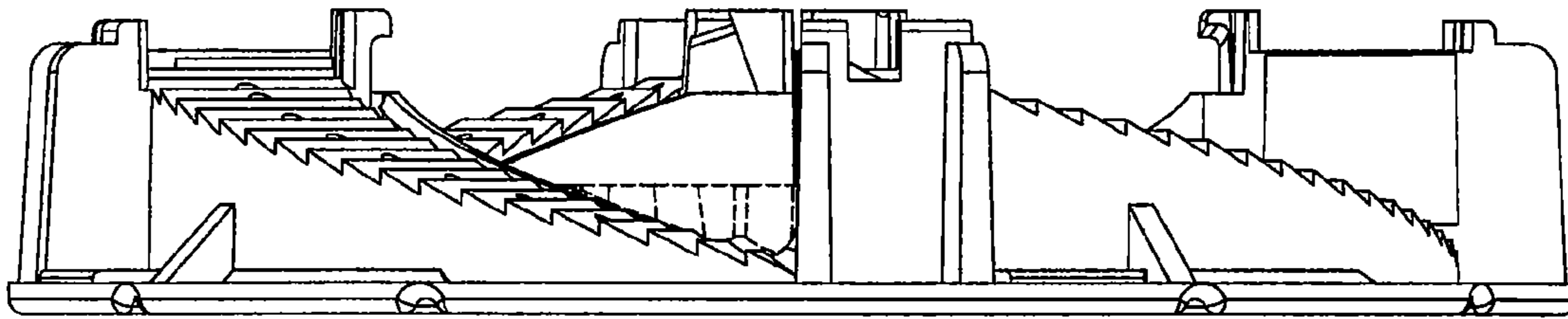


Figure 4

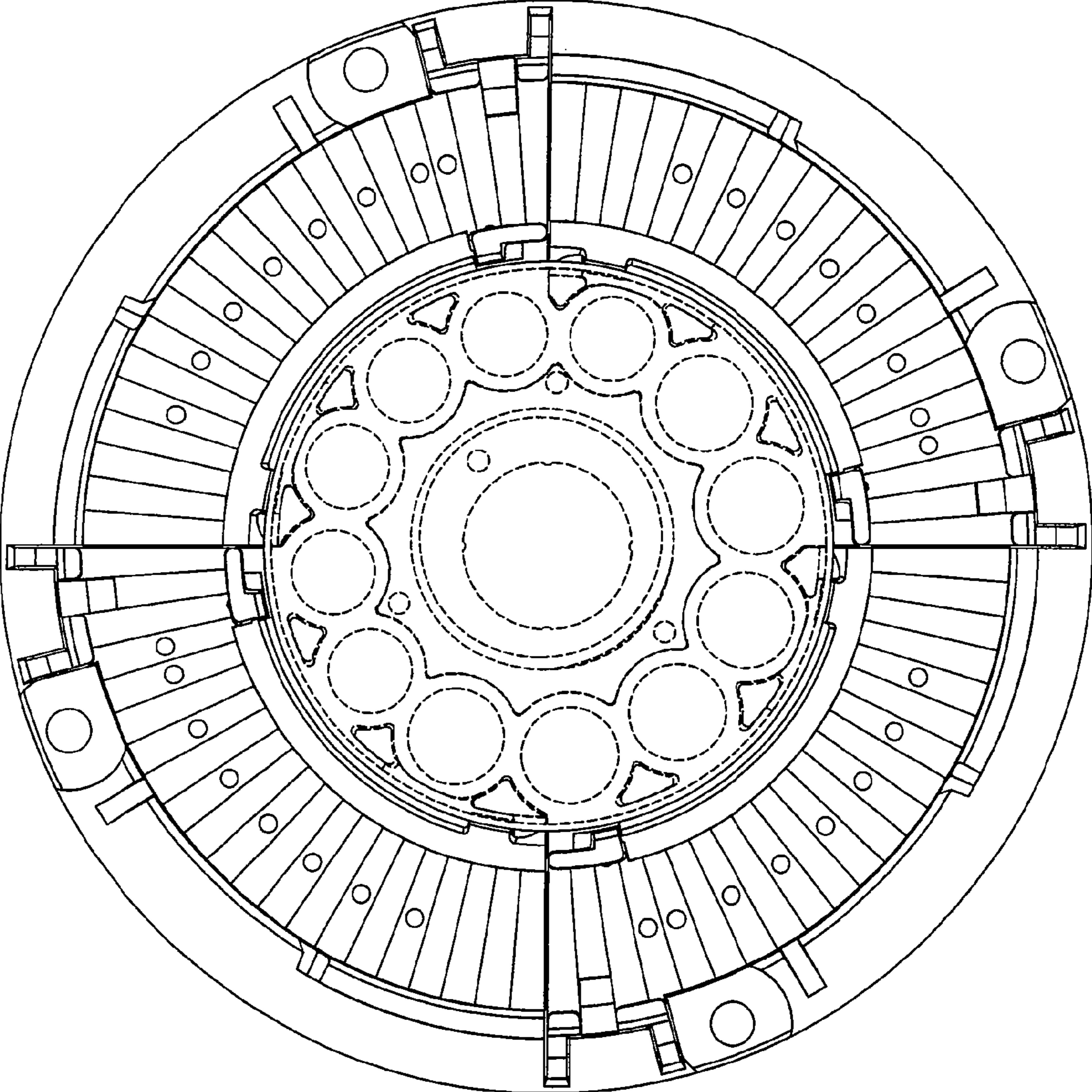


Figure 5