



US00D644403S

(12) **United States Design Patent**
Kippernes

(10) **Patent No.:** **US D644,403 S**

(45) **Date of Patent:** **** Aug. 30, 2011**

(54) **ROPE WINCH TYPE ROLLER UNIT**

(75) Inventor: **Anders Kippernes, Averøy (NO)**

(73) Assignee: **Triplex AS, Averøy (NO)**

(**) Term: **14 Years**

(21) Appl. No.: **29/378,551**

(22) Filed: **Nov. 5, 2010**

(30) **Foreign Application Priority Data**

May 7, 2010 (NO) 20100245

(51) **LOC (9) Cl.** **12-05**

(52) **U.S. Cl.** **D34/33**

(58) **Field of Classification Search** D34/33,
D34/28, 35; 254/362, 356, 372, 380, 901,
254/382, 374, 316

See application file for complete search history.

(56) **References Cited**

U.S. PATENT DOCUMENTS

D315,976	S	*	4/1991	Shieh	D34/33
D388,929	S	*	1/1998	Kuryu	D34/33
5,954,285	A	*	9/1999	Whisenhunt	242/250
D459,048	S	*	6/2002	Leemans	D34/33
D517,268	S	*	3/2006	Fatzinger	D34/33
D550,923	S	*	9/2007	Huang	D34/33
D586,073	S	*	2/2009	Tsao	D34/33

D596,824	S	*	7/2009	Mitas	D34/33
7,717,402	B2	*	5/2010	Mann	254/326
2009/0173924	A1	*	7/2009	Alipour et al.	254/362

* cited by examiner

Primary Examiner — Cynthia Ramirez

(74) *Attorney, Agent, or Firm* — Birch, Stewart, Kolasch & Birch, LLP

(57) **CLAIM**

The ornamental design for a rope winch type roller unit, as shown and described.

DESCRIPTION

FIG. 1 is a right side view of the rope winch type roller unit where the hydraulic cylinder is retracted;

FIG. 2 is a left side view thereof;

FIG. 3 is a top view thereof;

FIG. 4 is a bottom view thereof;

FIG. 5 is a rear view thereof;

FIG. 6 is a front view thereof;

FIG. 7 is a perspective view thereof, as seen from an elevated position, slightly from the rear and from the left side;

FIG. 8 is a right side view of the rope winch type roller unit where the hydraulic cylinder is expanded;

FIG. 9 is a left side view thereof;

FIG. 10 is a top view thereof;

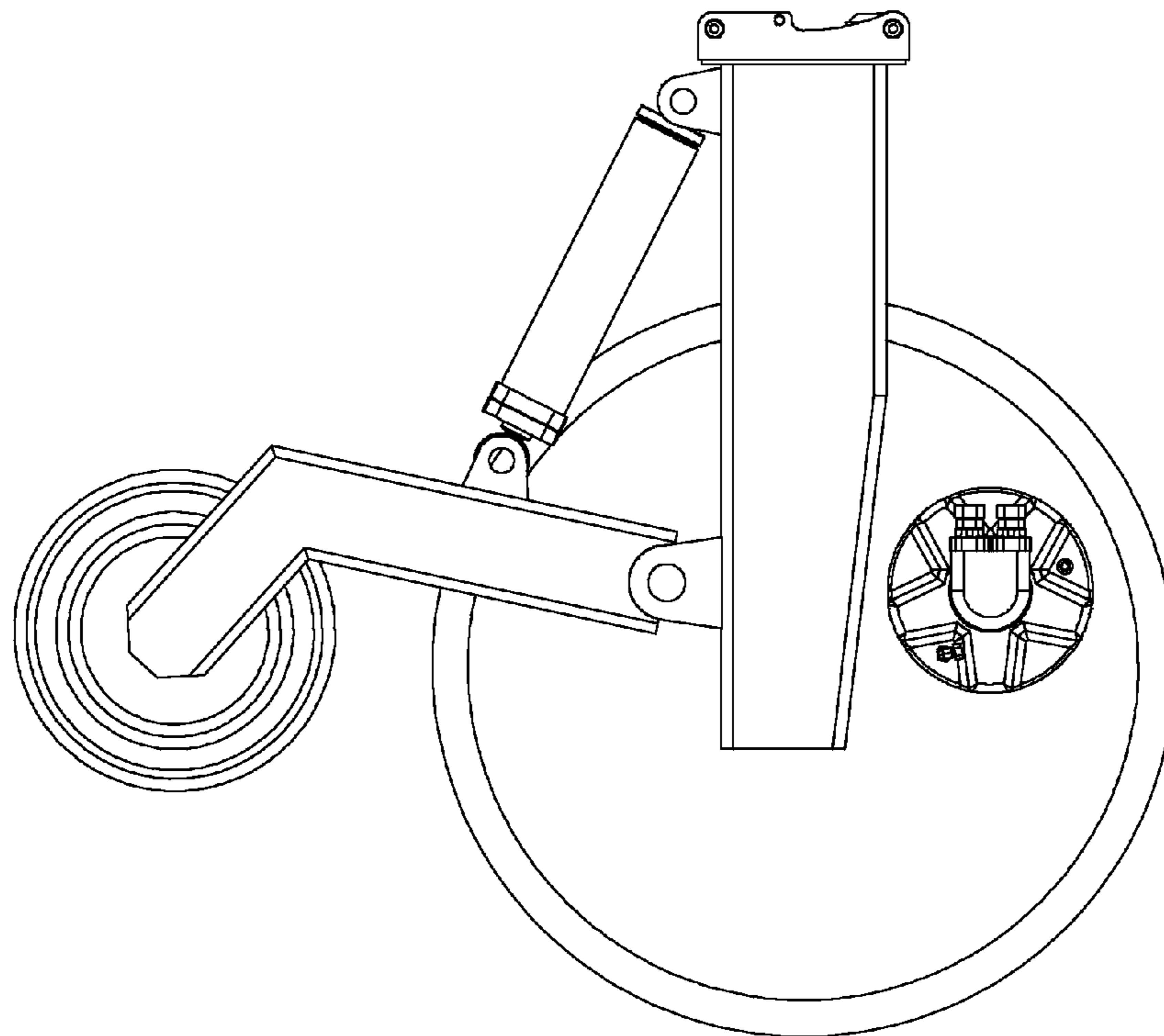
FIG. 11 is a bottom view thereof;

FIG. 12 is a rear view thereof;

FIG. 13 is a front view thereof; and,

FIG. 14 is a perspective view thereof, as seen from an elevated position, slightly from the rear and from the left side.

1 Claim, 8 Drawing Sheets



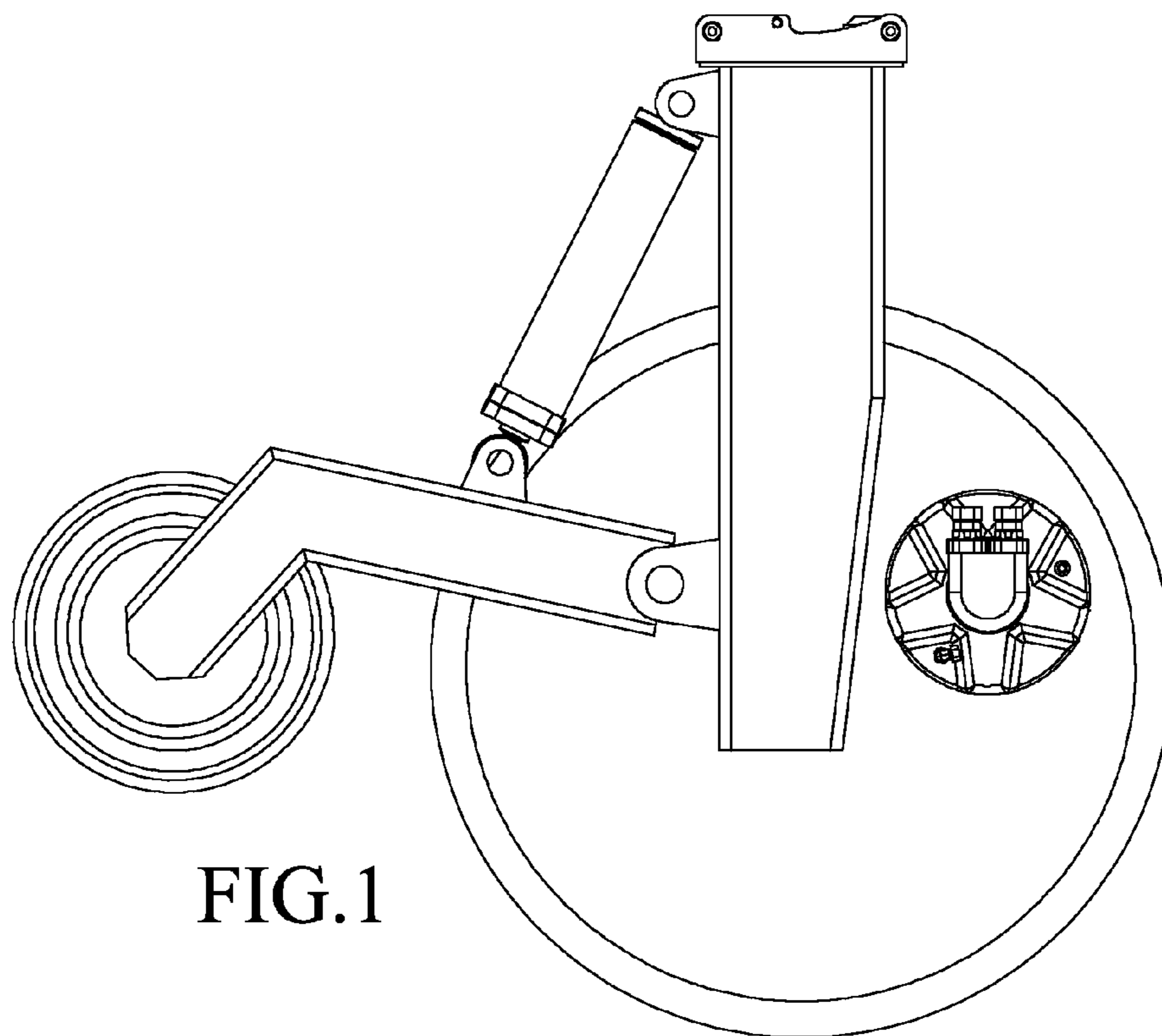


FIG. 1

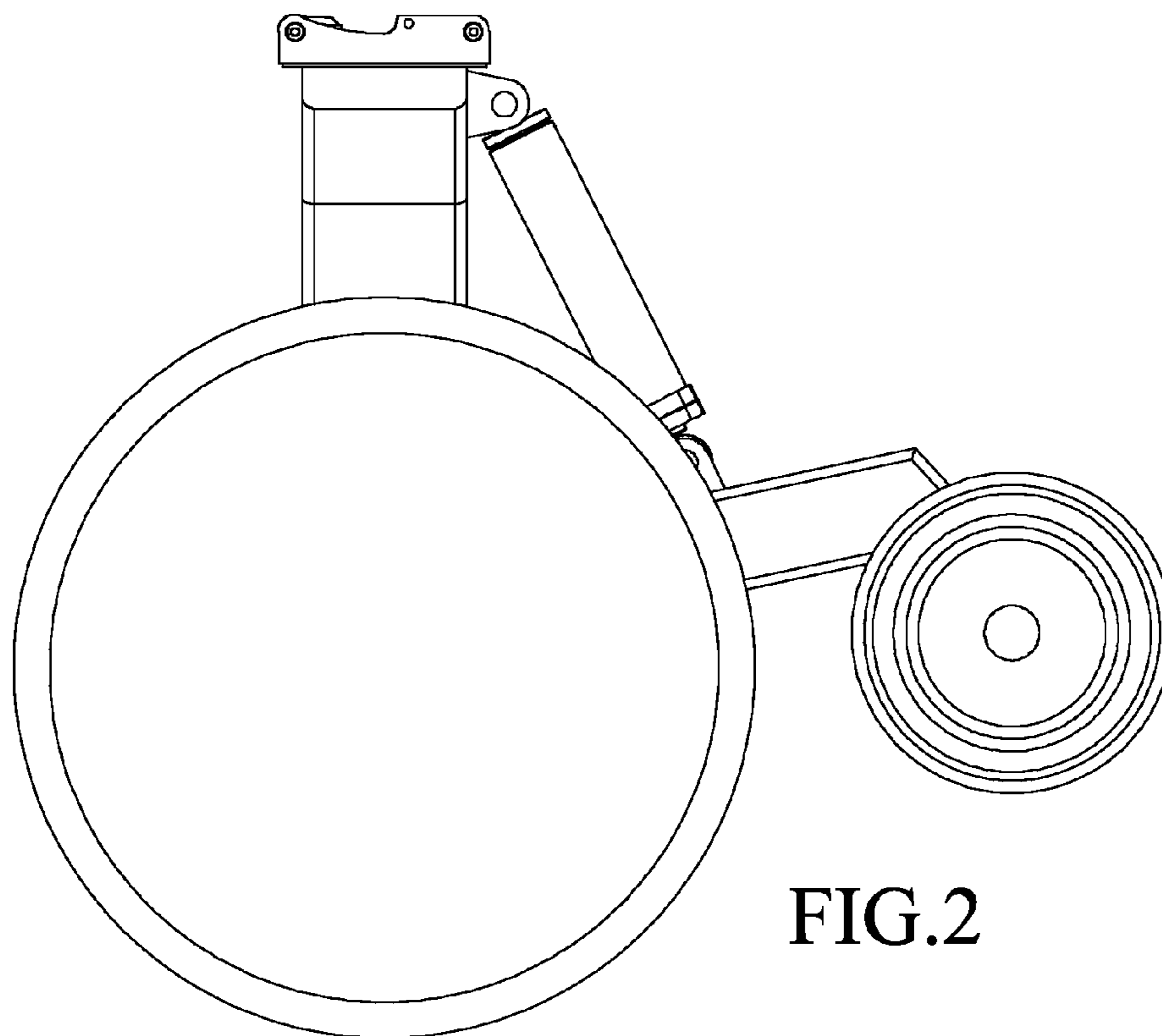


FIG. 2

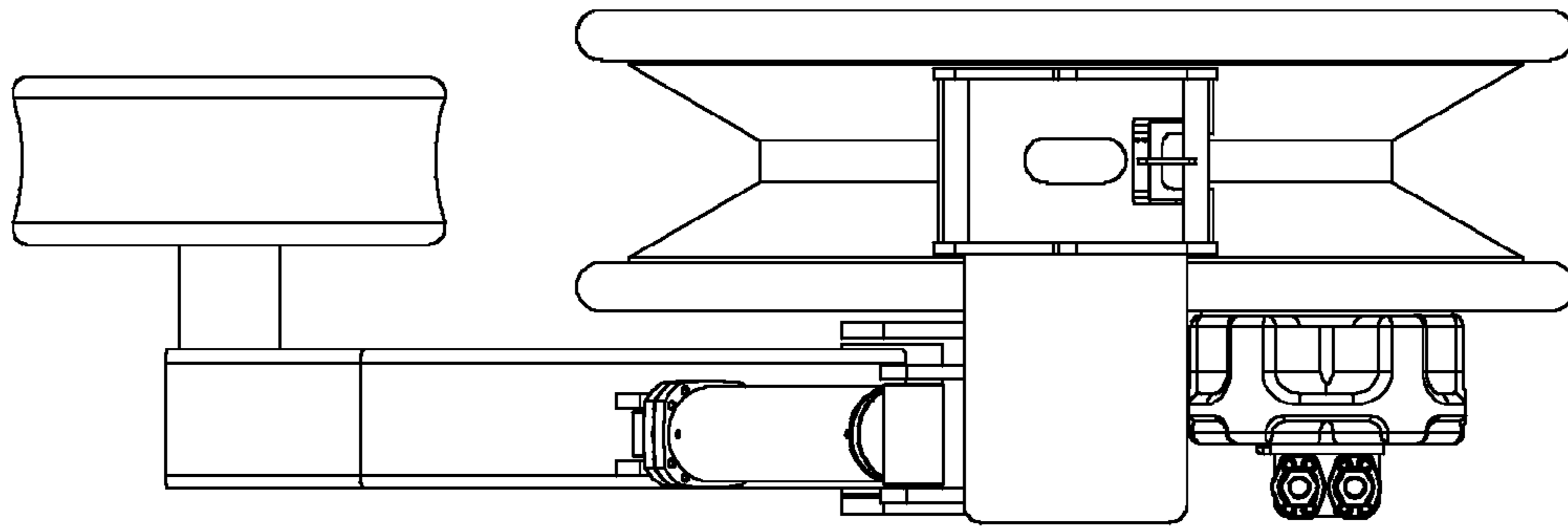


FIG.3

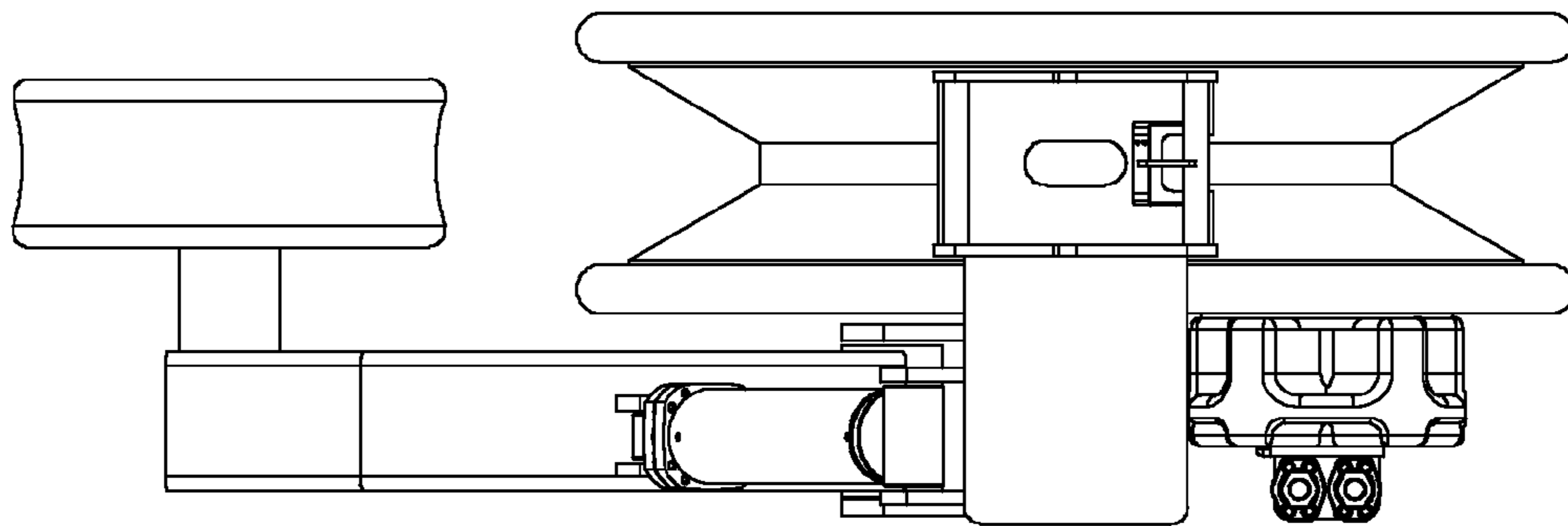


FIG.4

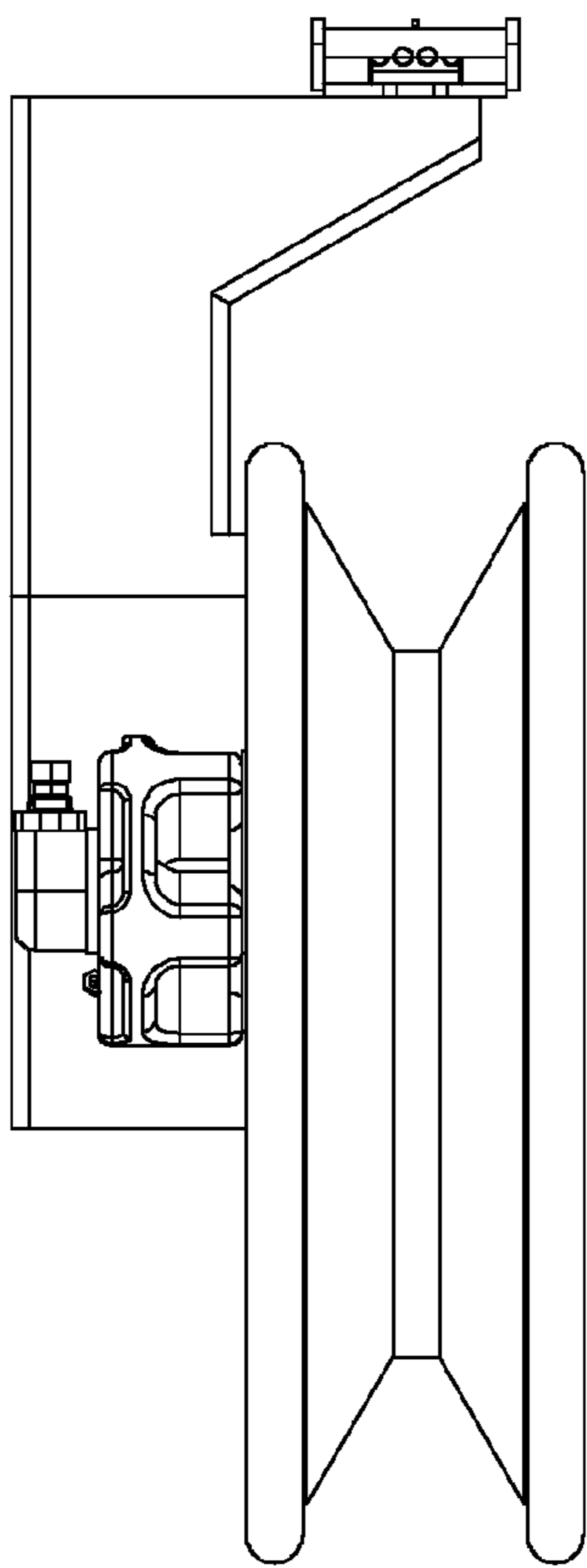


FIG.5

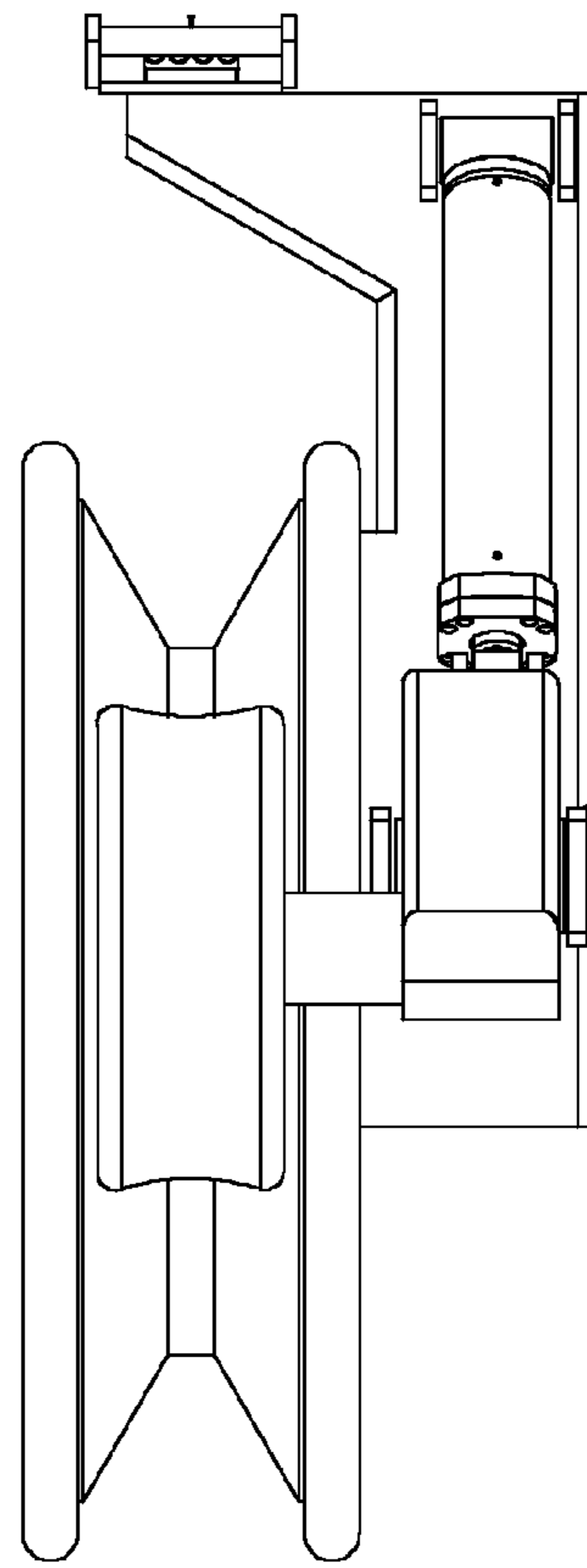


FIG.6

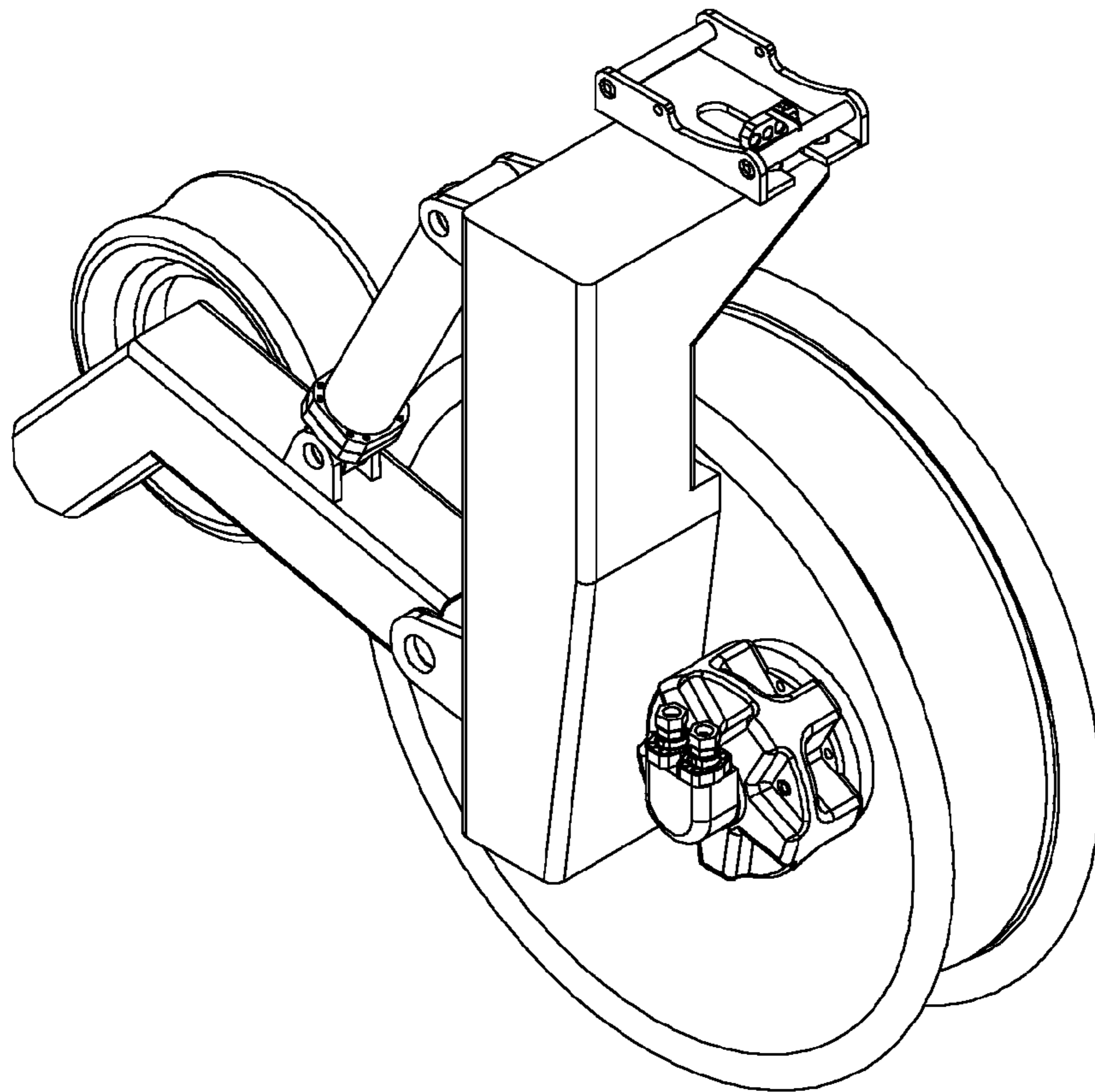


FIG.7

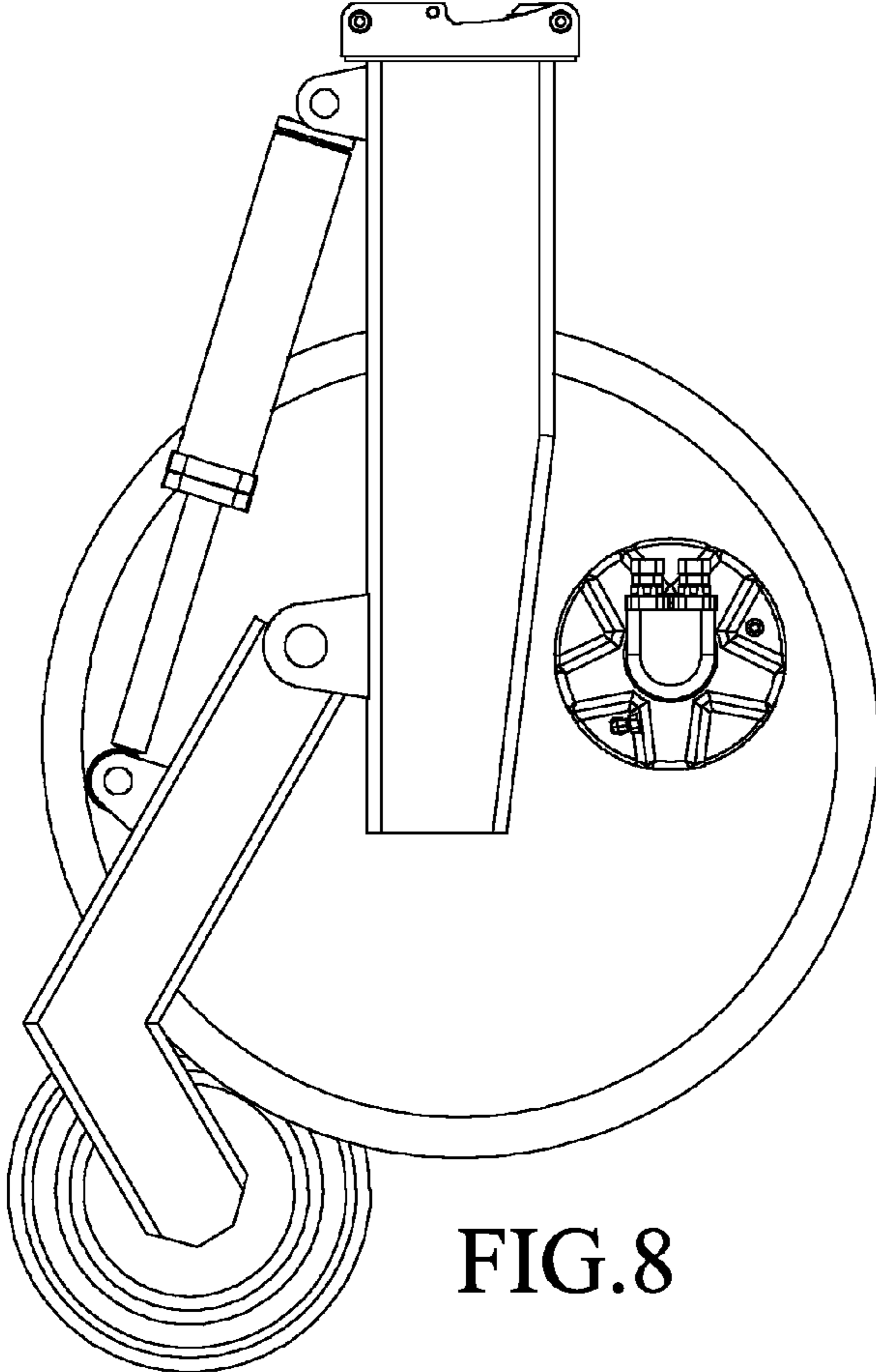


FIG. 8

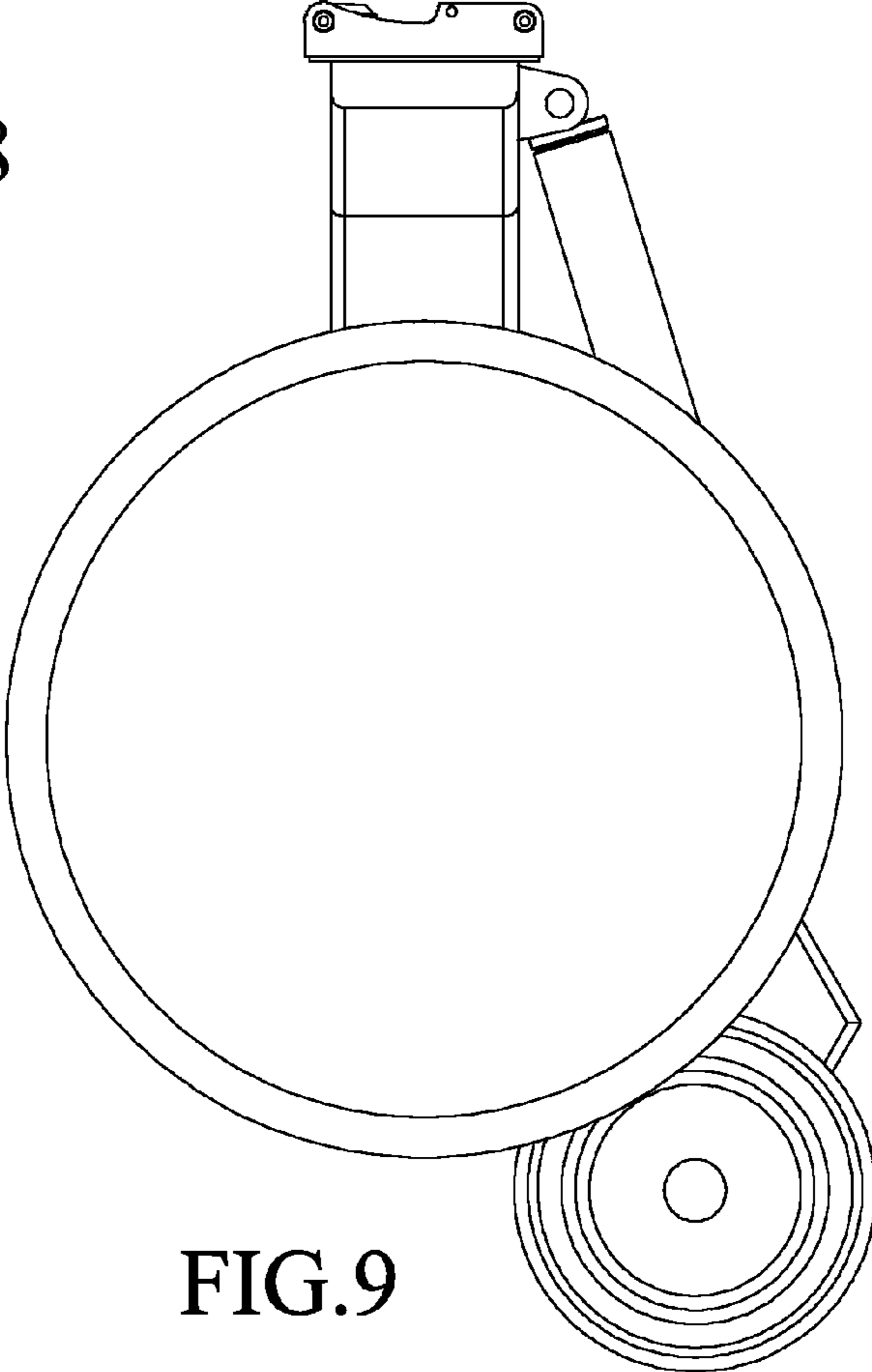


FIG. 9

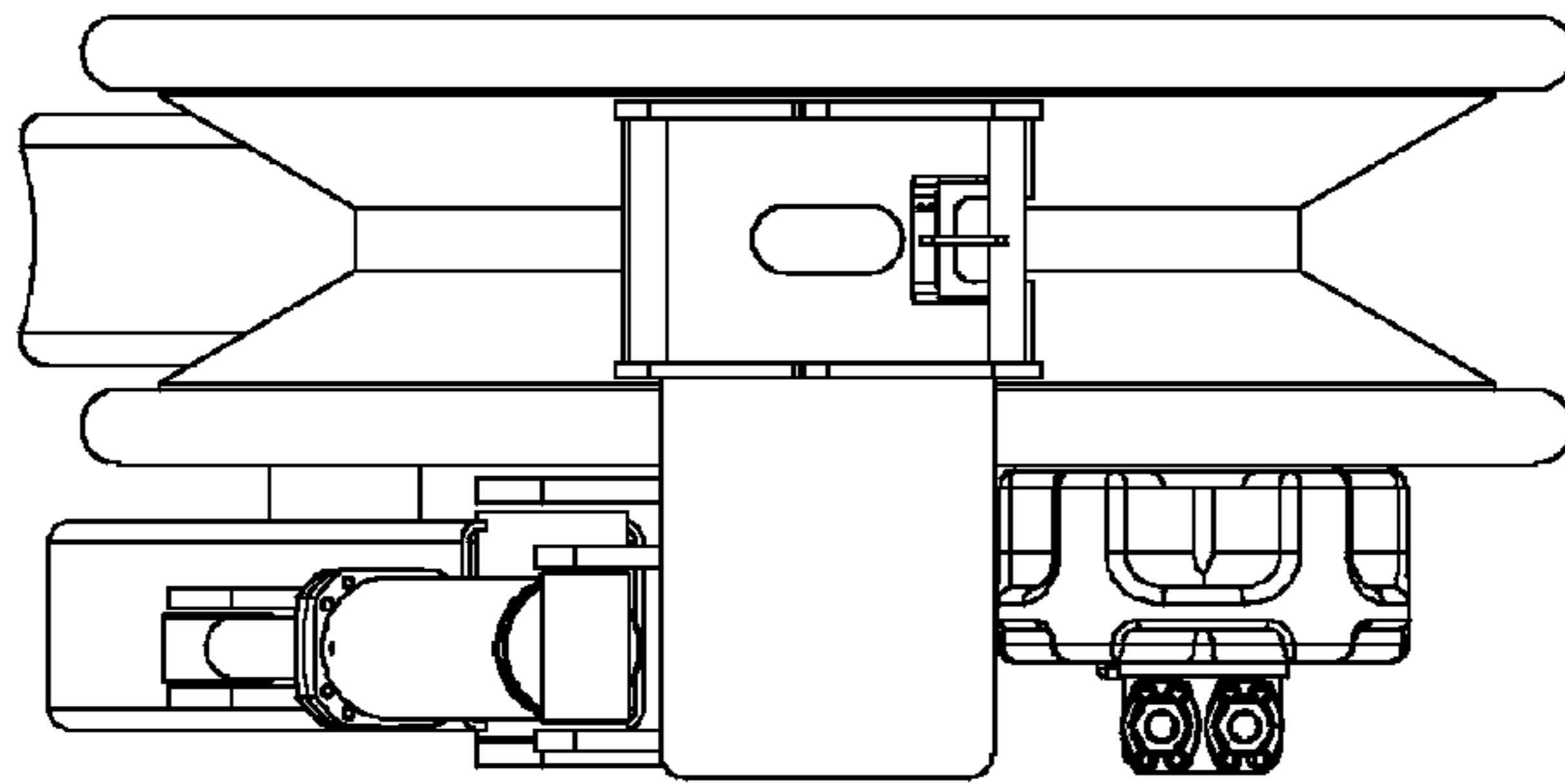


FIG.10

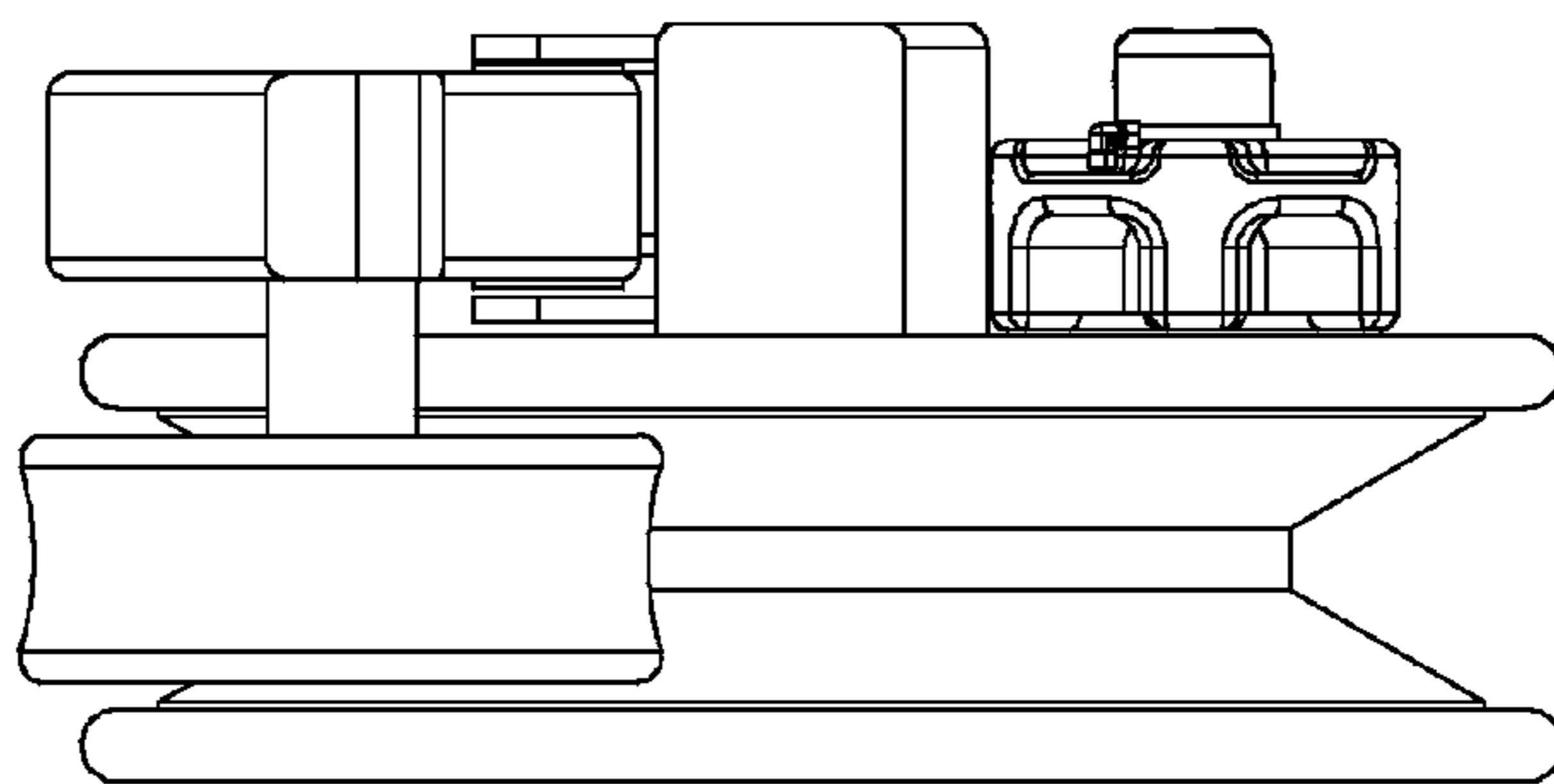


FIG.11

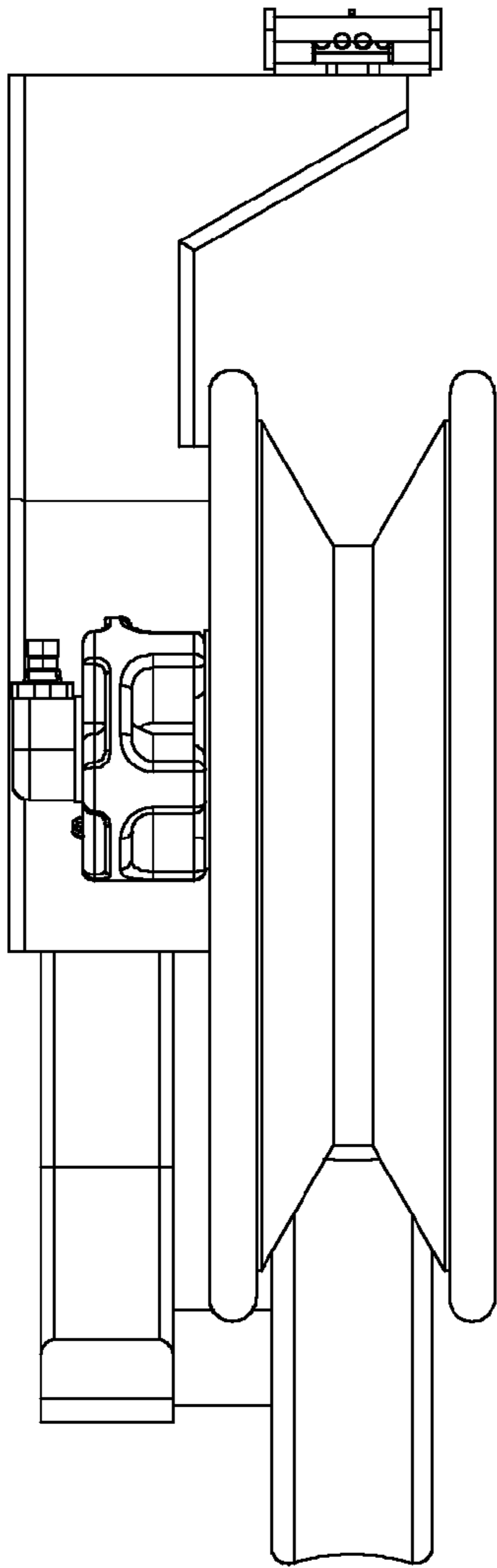


FIG. 12

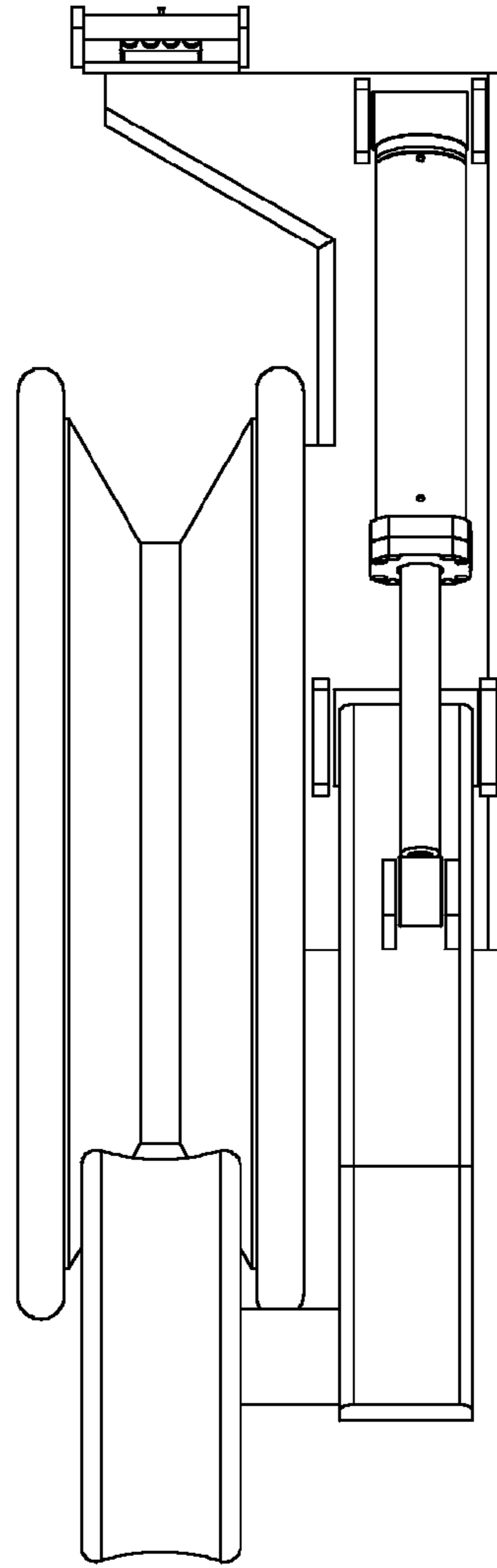


FIG. 13

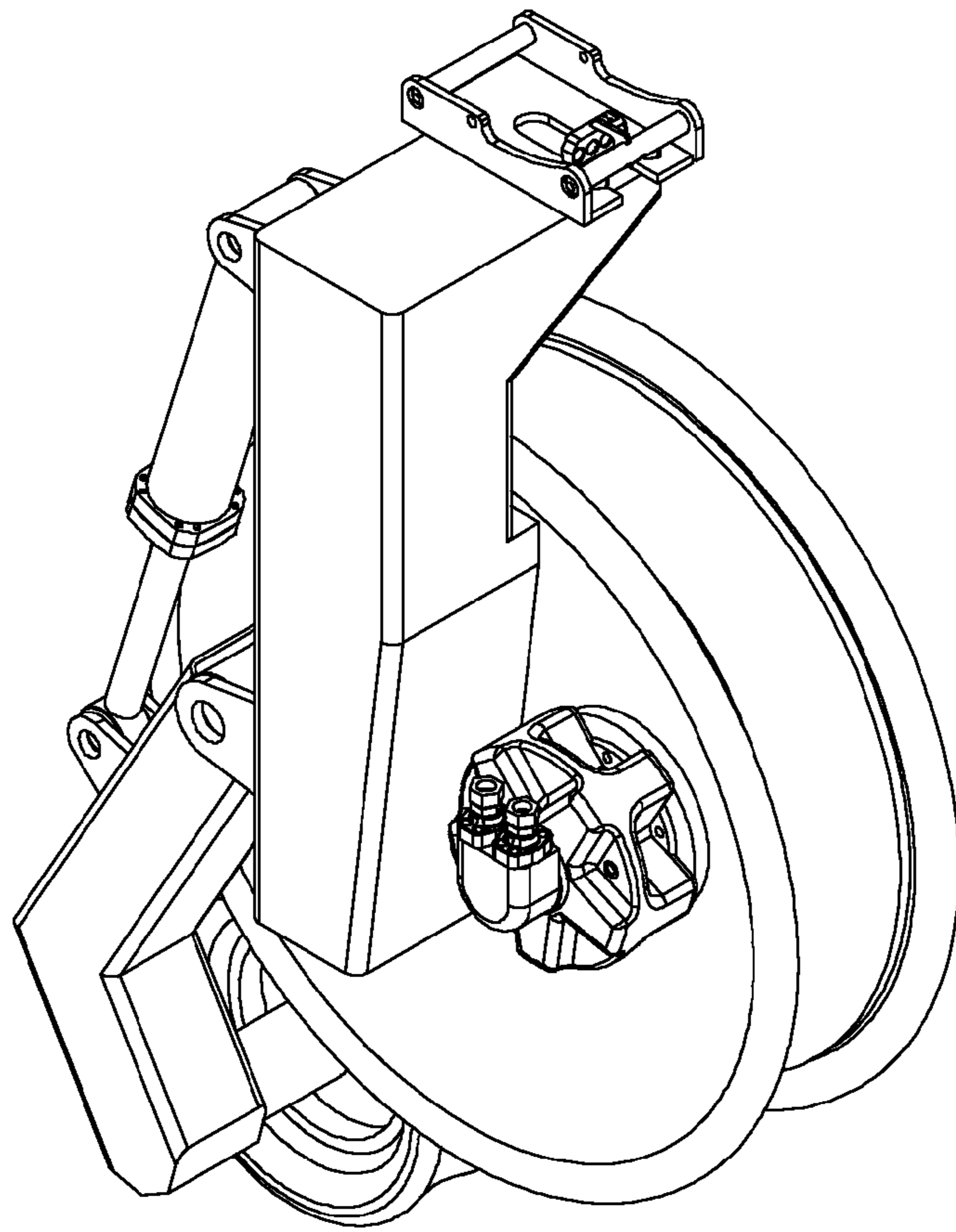


FIG.14