



US00D644402S

(12) **United States Design Patent**  
**Shoup et al.**

(10) **Patent No.:** **US D644,402 S**

(45) **Date of Patent:** **\*\* Aug. 30, 2011**

(54) **FOLDABLE FOOT RAMP**

(76) Inventors: **Donna Shoup**, Weirton, WV (US);  
**Robert Shoup**, Weirton, WV (US)

(\*\*) Term: **14 Years**

(21) Appl. No.: **29/378,669**

(22) Filed: **Nov. 8, 2010**

(51) **LOC (9) Cl.** ..... **12-05**

(52) **U.S. Cl.** ..... **D34/32**

(58) **Field of Classification Search** ..... D34/32,  
D34/33, 35, 28; 14/69.5, 2.4, 71.1, 71.3,  
14/304.1; 414/537; 254/88, 89 R, 90  
See application file for complete search history.

(56) **References Cited**

U.S. PATENT DOCUMENTS

4,726,516	A	2/1988	Cree	
5,518,084	A	5/1996	Short et al.	
5,870,788	A	2/1999	Witkin	
6,269,508	B1 *	8/2001	Younce	14/69.5
6,463,613	B1	10/2002	Thompson	
D490,202	S	5/2004	Jamison	
7,007,771	B2	3/2006	Rawlings et al.	
7,104,524	B1 *	9/2006	Hidding et al.	254/88
D592,823	S *	5/2009	Weger	D34/33

D596,368	S *	7/2009	Holicki	D34/32
2002/0108190	A1 *	8/2002	Martinez	14/69.5
2005/0015900	A1 *	1/2005	Alexander et al.	14/71.1
2005/0132511	A1 *	6/2005	Berg	14/69.5
2007/0234491	A1 *	10/2007	Bailie	14/69.5

\* cited by examiner

*Primary Examiner* — Cynthia Ramirez

(74) *Attorney, Agent, or Firm* — Kyle Fletcher

(57) **CLAIM**

We claim the ornamental design for the foldable foot ramp, as shown and described.

**DESCRIPTION**

FIG. 1 is an isometric front view of the foldable foot ramp in an extended state.

FIG. 2 is a left side view of the claimed design.

FIG. 3 is a rear view of the claimed design.

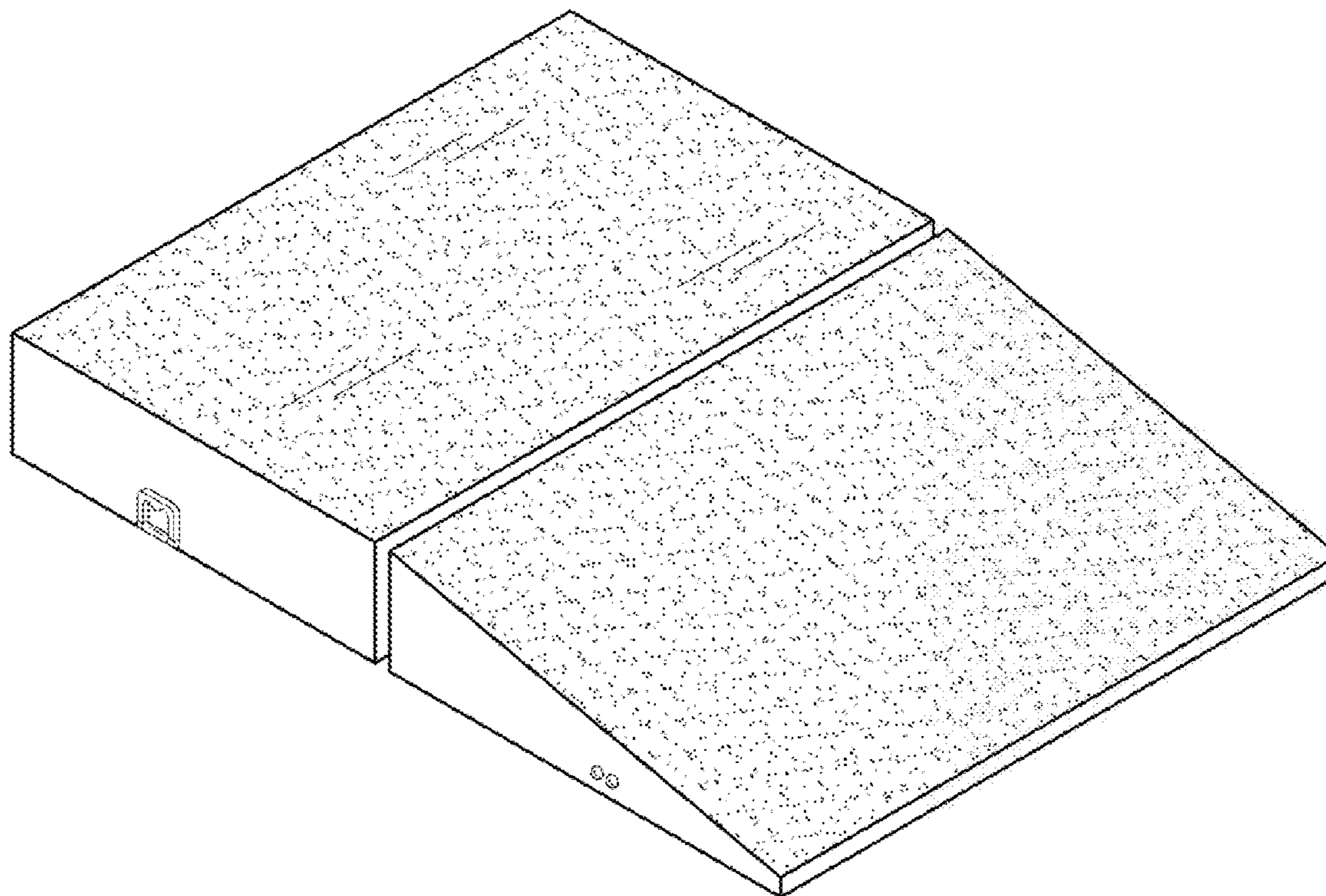
FIG. 4 is a front side view of the claimed design.

FIG. 5 is a top side view of the claimed design.

FIG. 6 is bottom view of the claimed design; and,

FIG. 7 is an isometric view of the claimed design in which the foot ramp is in a folded state.

**1 Claim, 4 Drawing Sheets**



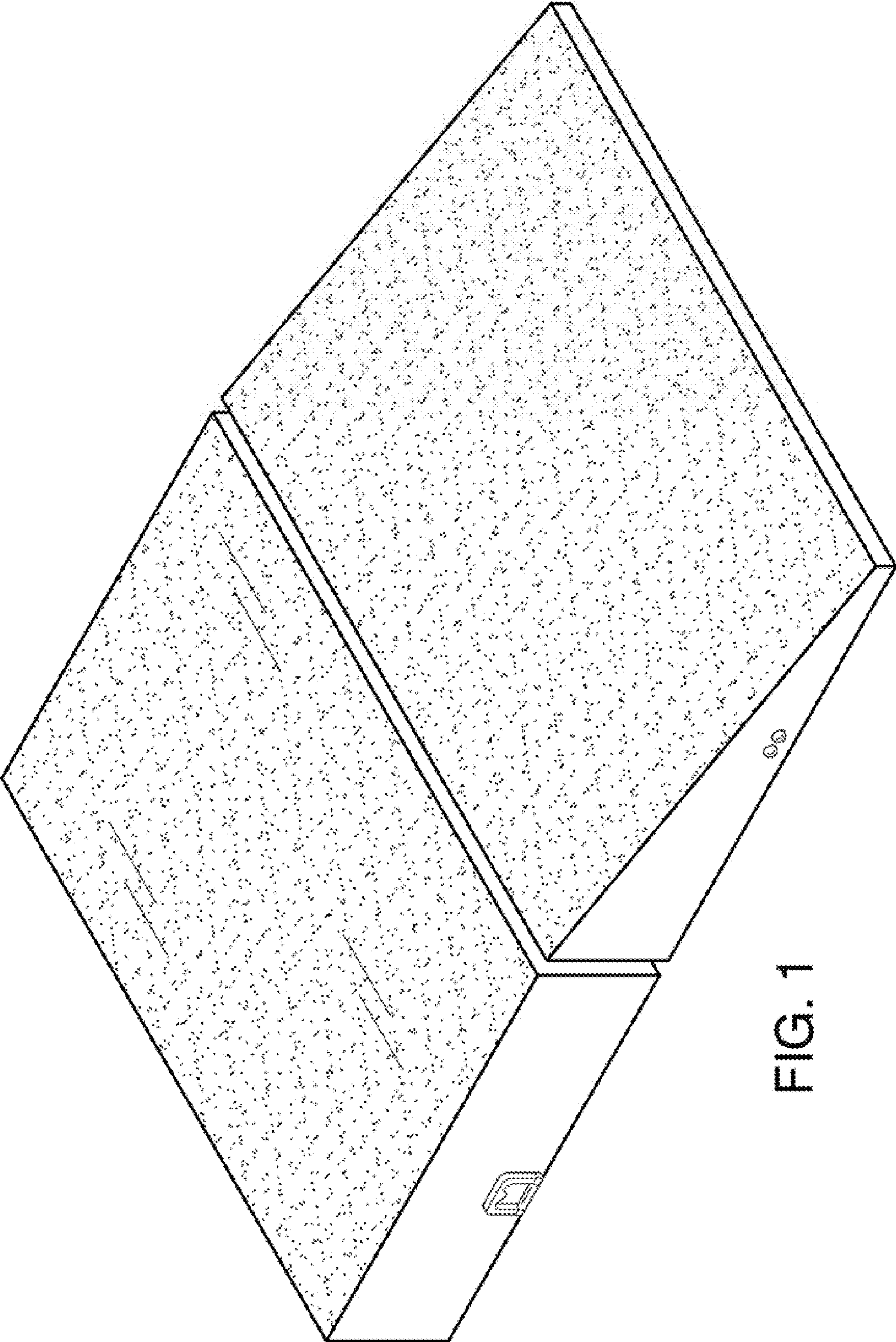


FIG. 1

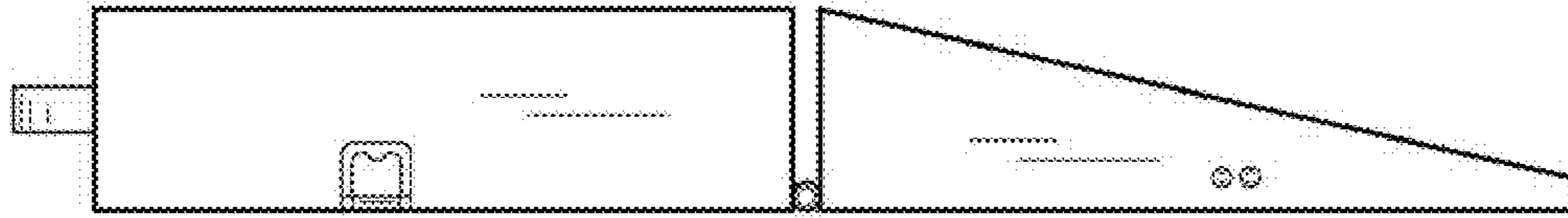


FIG. 2

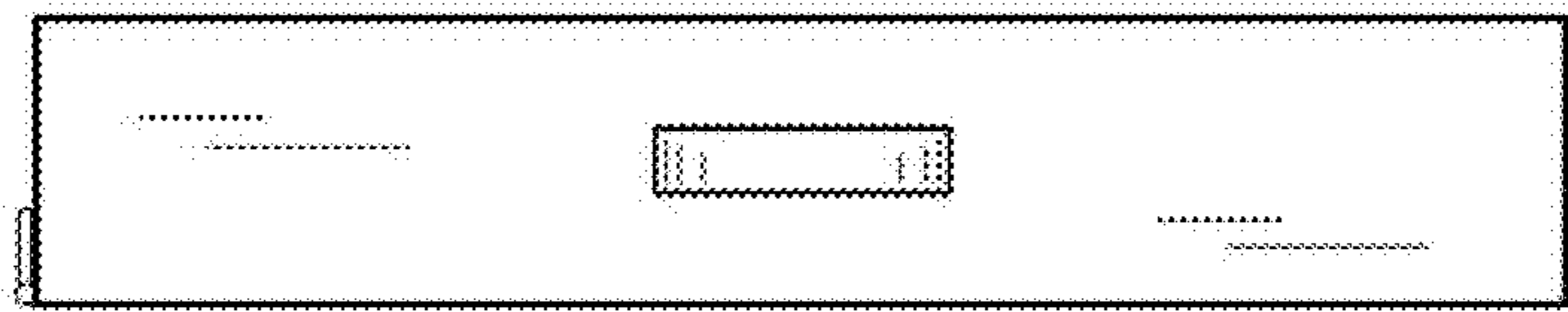


FIG. 3

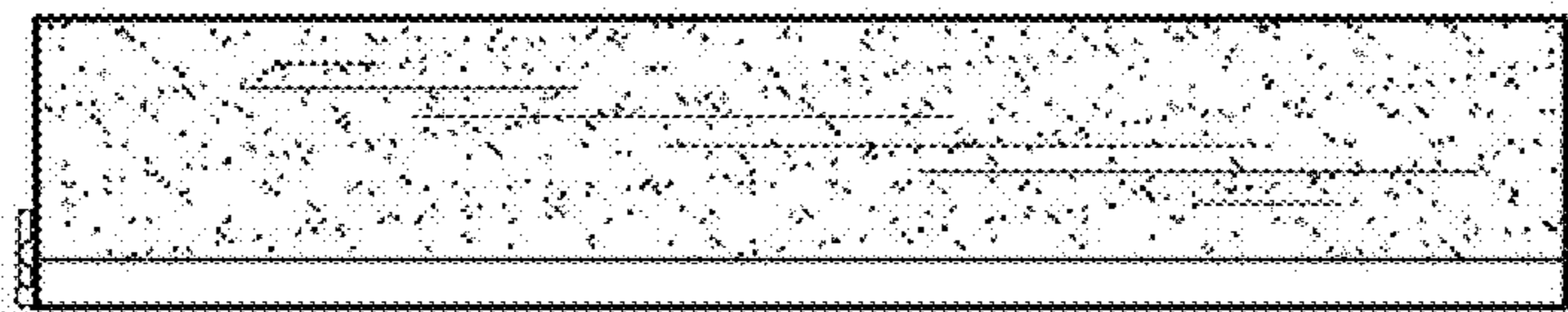


FIG. 4

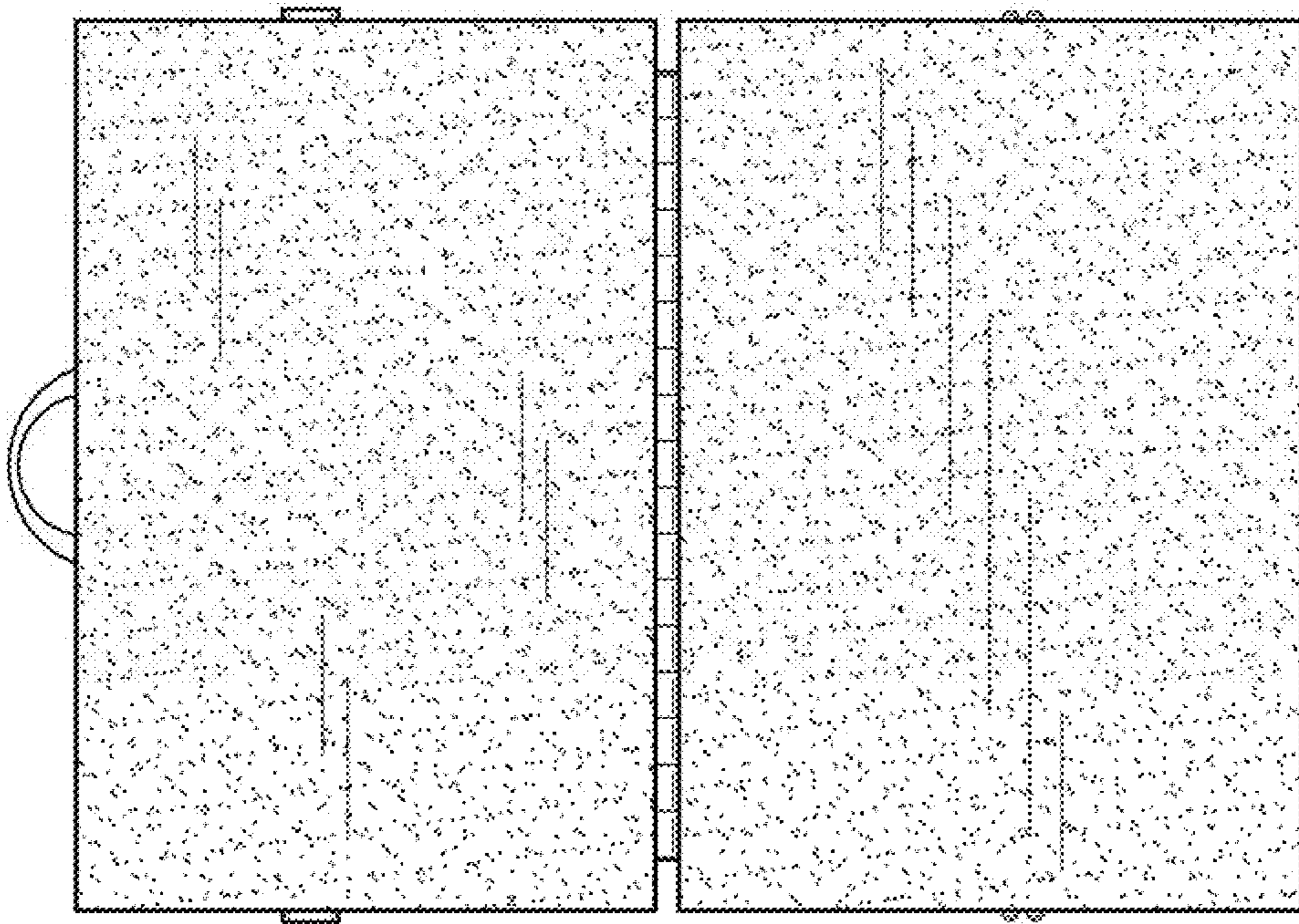


FIG. 5

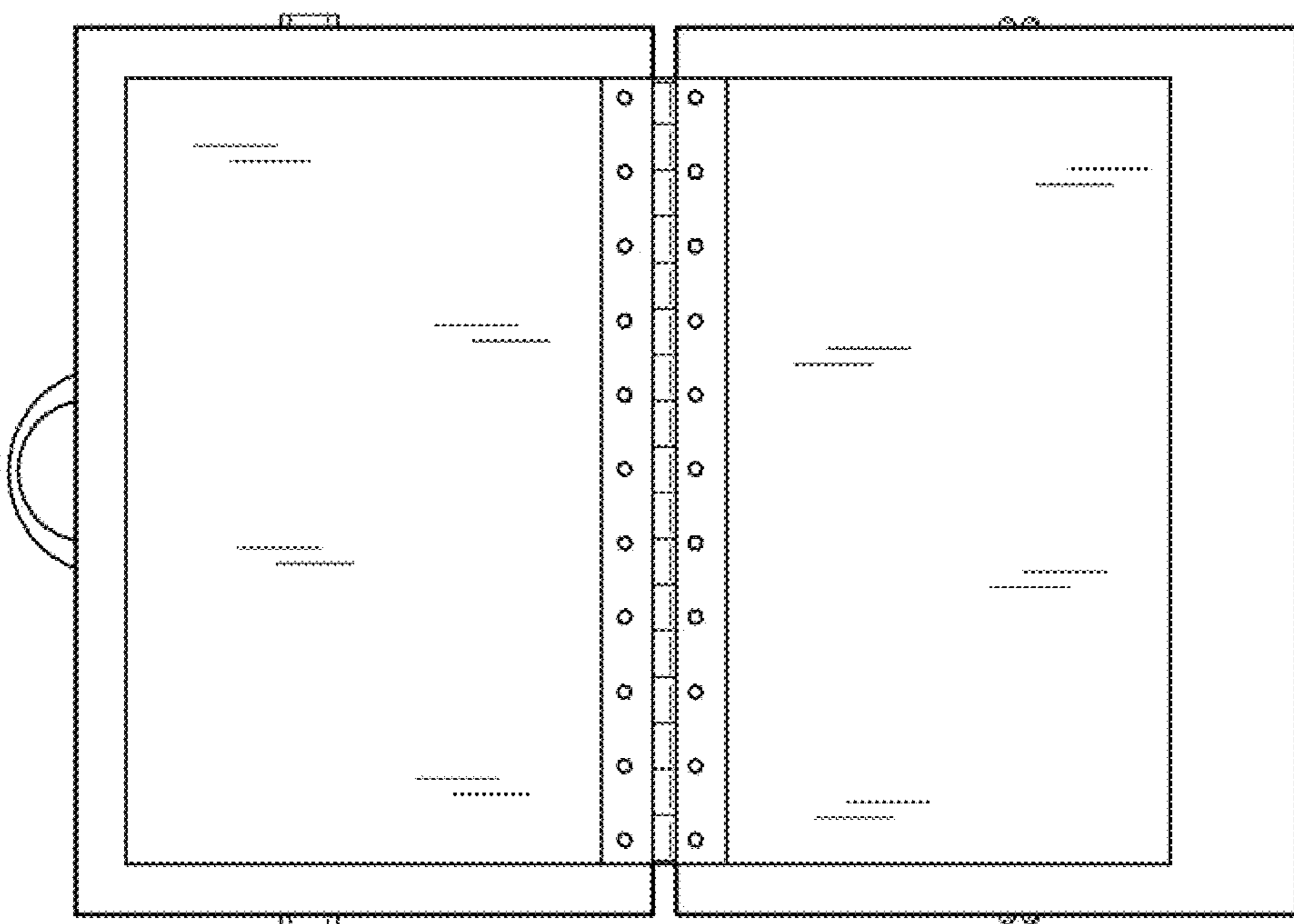


FIG. 6

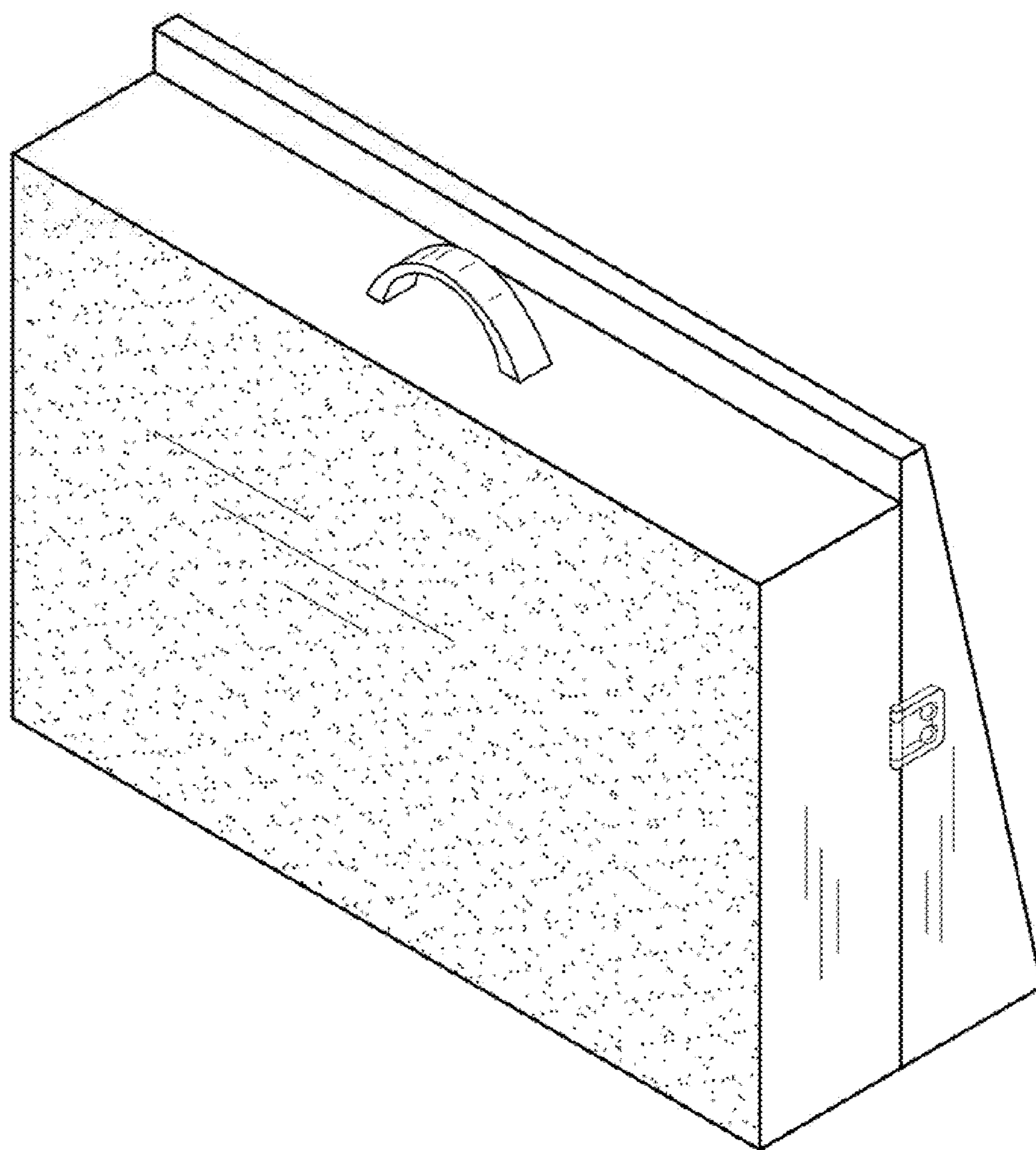


FIG. 7