



US00D644394S

(12) **United States Design Patent**  
**Anderson et al.**

(10) **Patent No.:** **US D644,394 S**

(45) **Date of Patent:** **\*\* Aug. 30, 2011**

(54) **PORTABLE CONTAINER ASSEMBLY**

(75) Inventors: **Torrence Anderson**, Overland Park, KS (US); **Robert G. Kopp**, Elburn, IL (US); **Michael R. Vogler**, Oswego, IL (US)

(73) Assignee: **Suncast Technologies, LLC**, Palm Beach Gardens, FL (US)

(\*\*) Term: **14 Years**

(21) Appl. No.: **29/380,706**

(22) Filed: **Dec. 9, 2010**

(51) **LOC (9) Cl.** ..... **12-02**

(52) **U.S. Cl.** ..... **D34/24**

(58) **Field of Classification Search** ..... D34/12-27;  
280/651, 653, 43.1, 63, 66, 47.34, 47.31  
See application file for complete search history.

(56) **References Cited**

**U.S. PATENT DOCUMENTS**

D388,580 S \* 12/1997 Havlovitz ..... D34/19  
D389,972 S \* 1/1998 Grosfillex ..... D34/16  
D404,870 S \* 1/1999 Van Rhienen ..... D34/16

7,396,027 B1 \* 7/2008 Lovmark ..... 280/47.34  
D617,072 S \* 6/2010 Lipscomb et al. .... D34/17  
2002/0047251 A1 \* 4/2002 Simmons et al. .... 280/659  
2007/0158922 A1 \* 7/2007 Mullen et al. .... 280/47.31

\* cited by examiner

*Primary Examiner* — Cynthia Ramirez

(74) *Attorney, Agent, or Firm* — McHale & Slavin, P.A.

(57) **CLAIM**

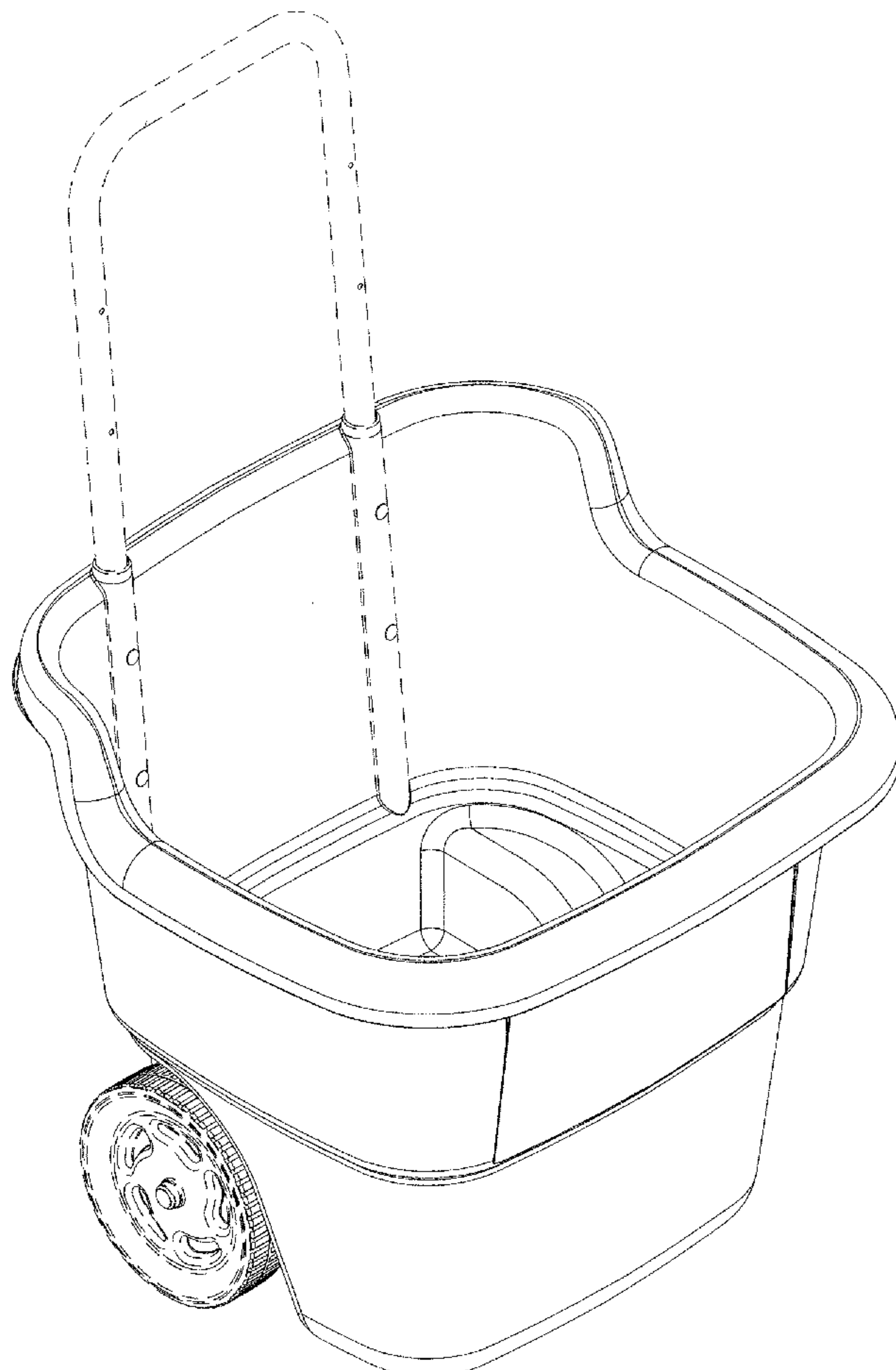
The ornamental design for a portable container assembly, as shown and described.

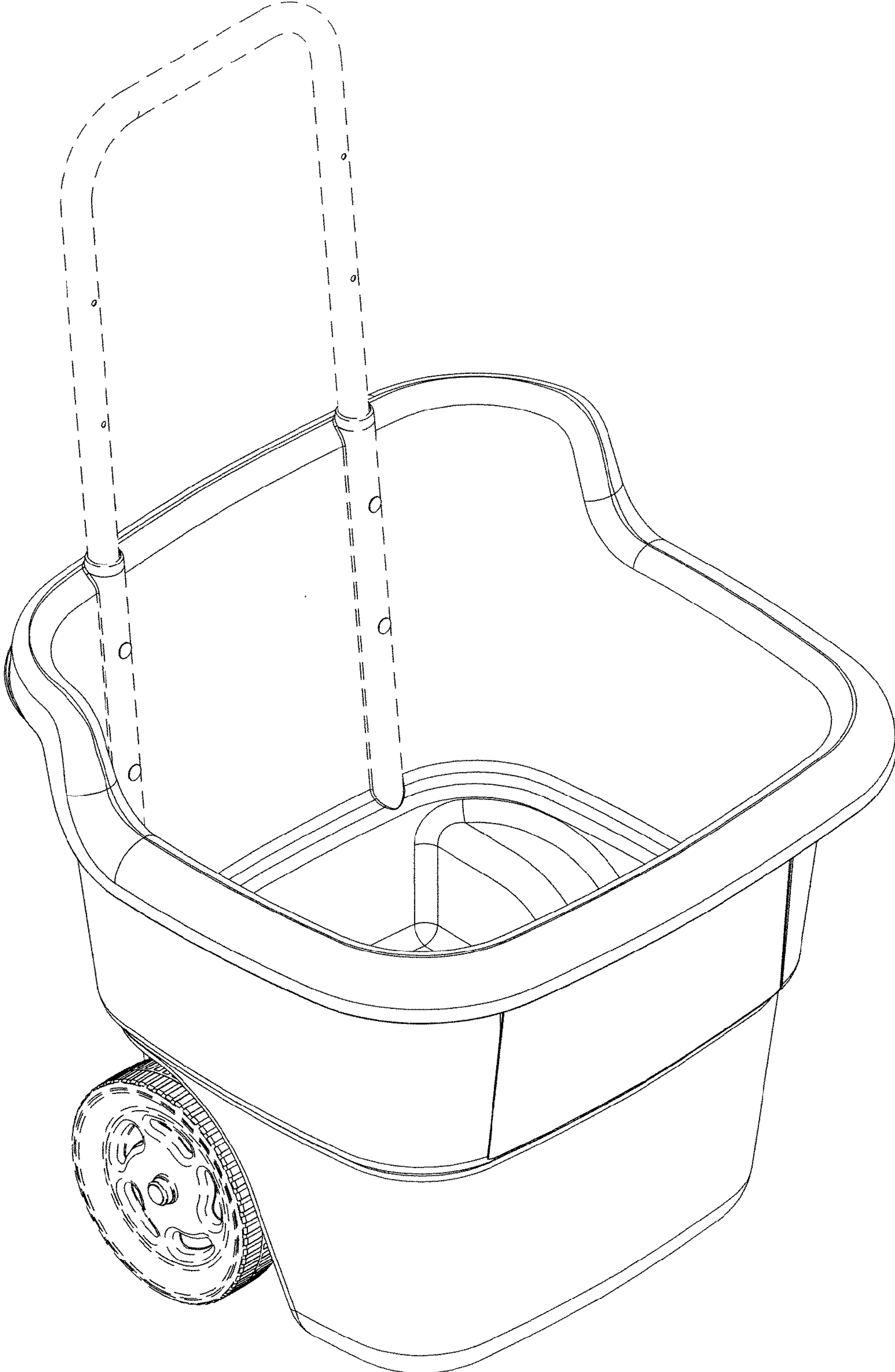
**DESCRIPTION**

FIG. 1 is a top left perspective view of the portable container assembly of the instant invention;  
FIG. 2 is a front view thereof;  
FIG. 3 is a left side view thereof;  
FIG. 4 is a right side view thereof; and,  
FIG. 5 is a top view thereof.

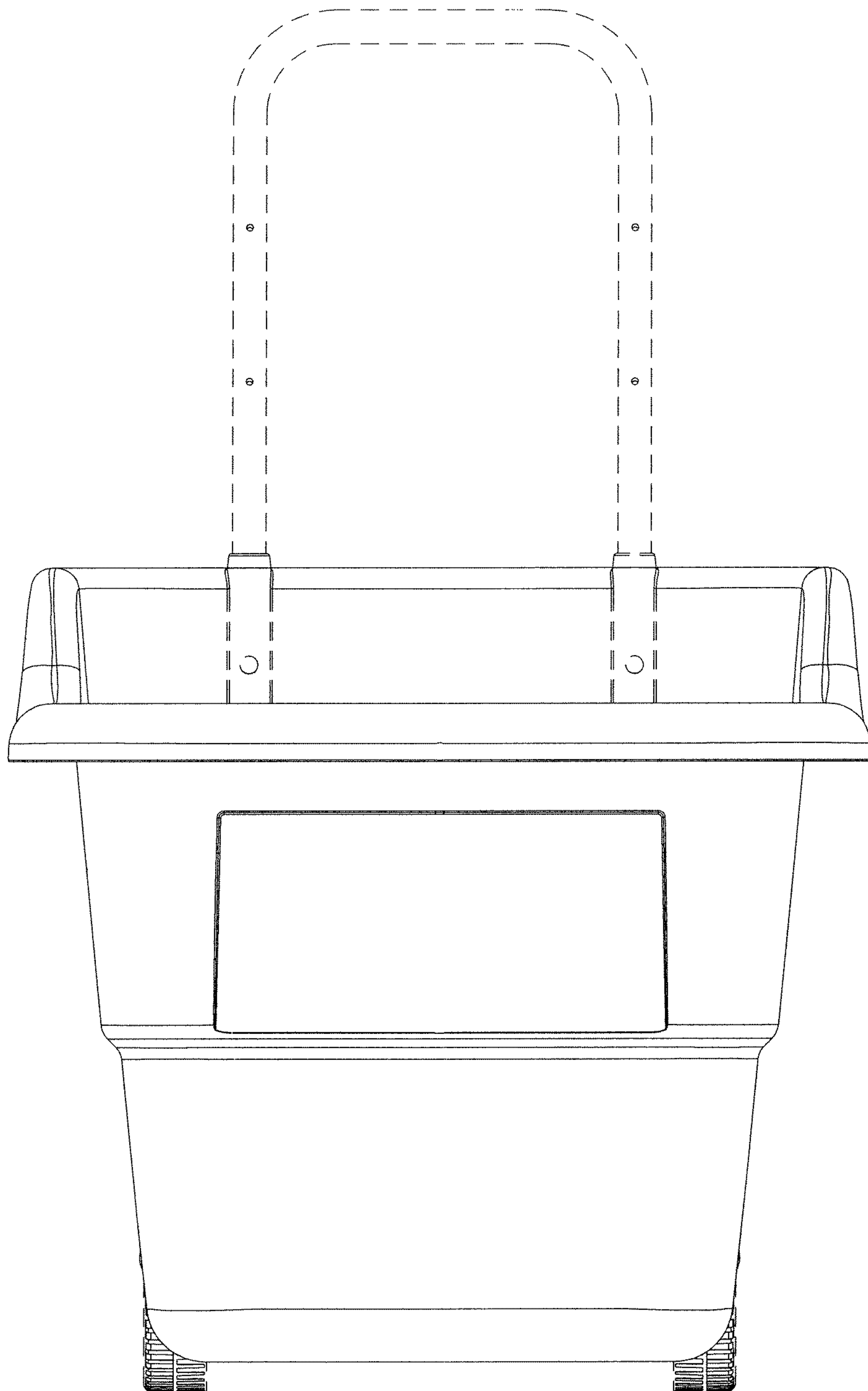
The portions of the figures illustrated in broken lines are for illustrative purposes only and form no part of the claimed design.

**1 Claim, 5 Drawing Sheets**

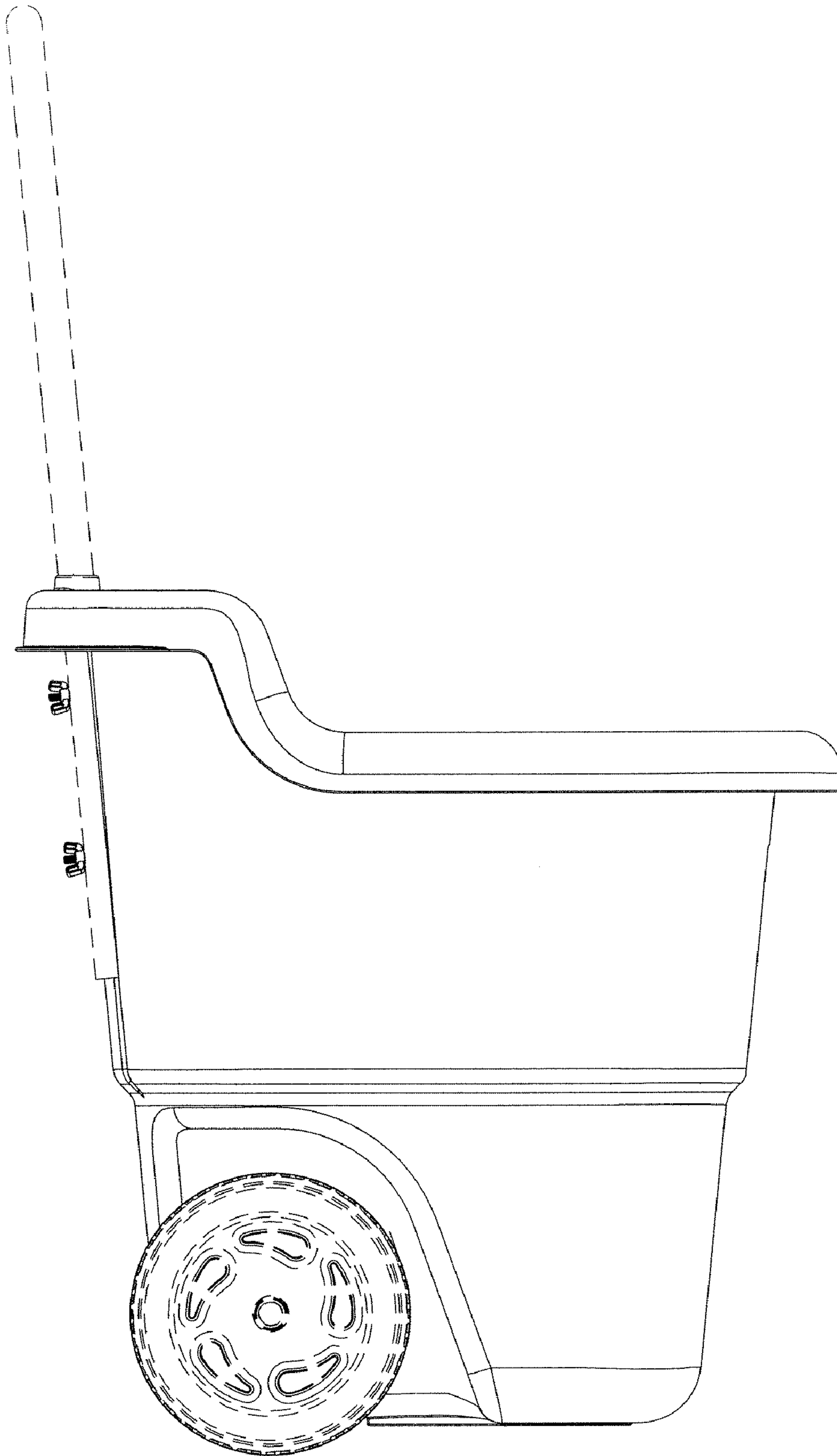




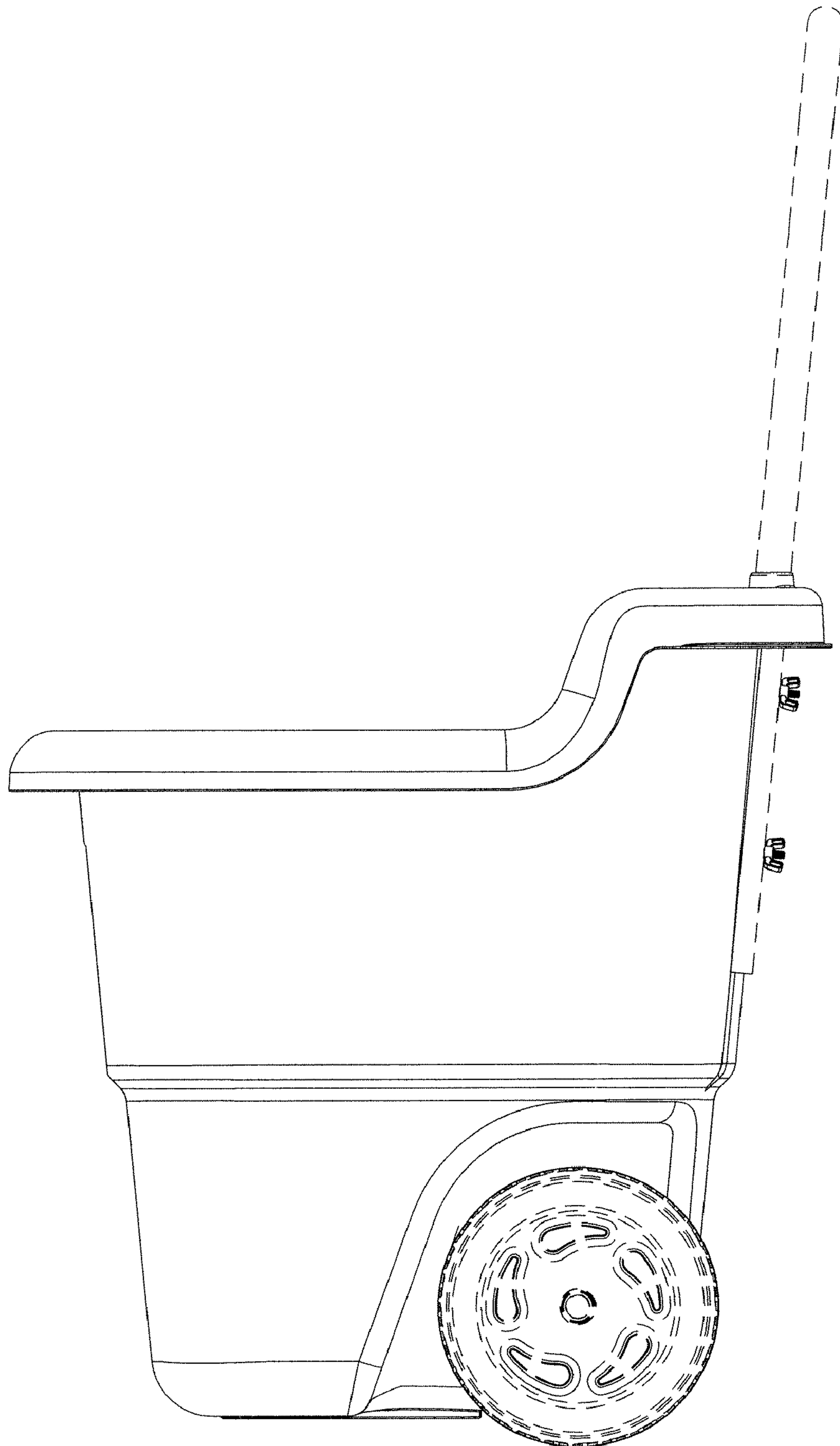
**Fig. 1**



**Fig. 2**

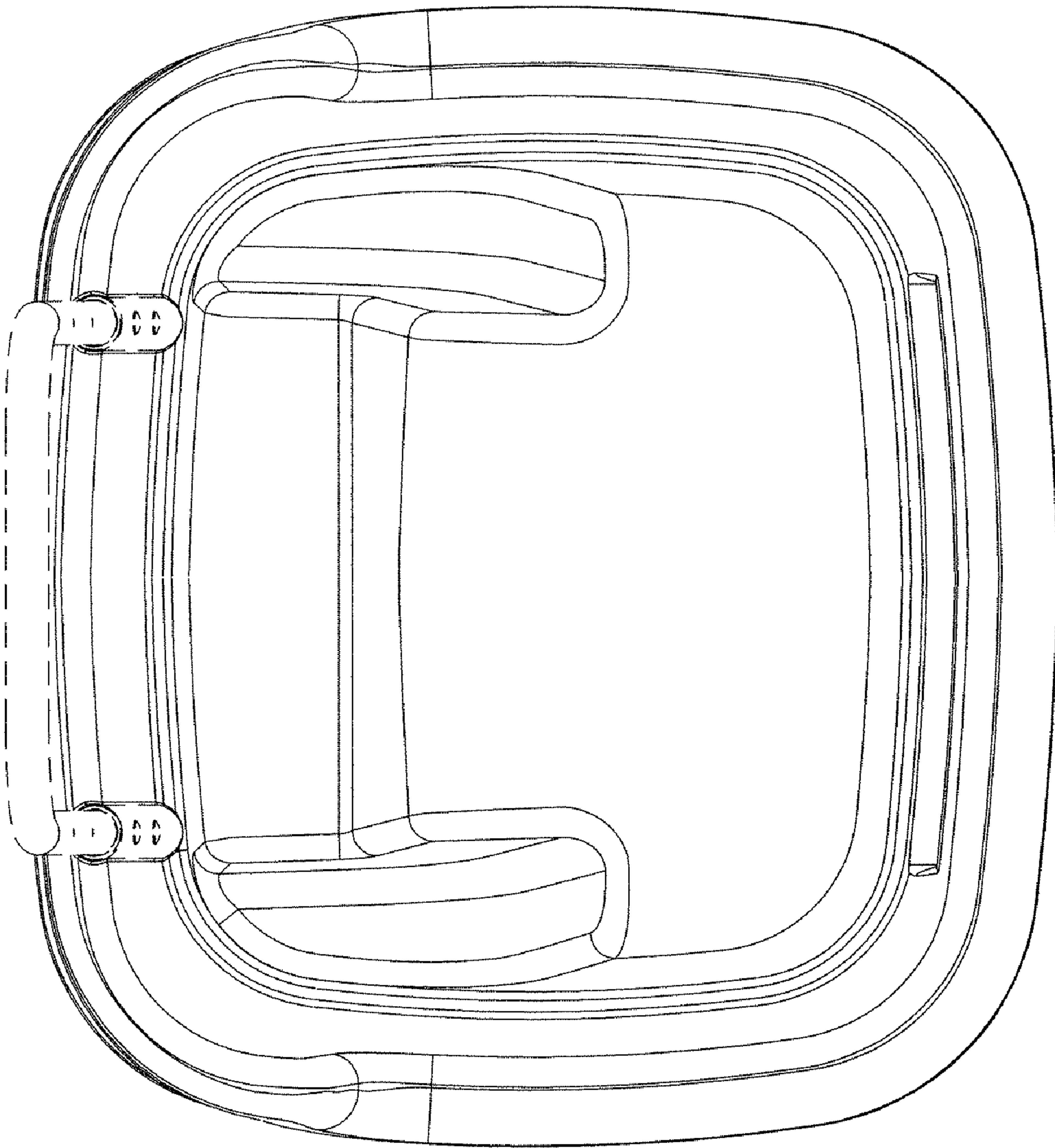


**Fig. 3**



**Fig. 4**





**Fig. 5**