



US00D644393S

(12) **United States Design Patent**
Walter

(10) **Patent No.:** **US D644,393 S**
(45) **Date of Patent:** **** Aug. 30, 2011**

(54) **CART**

(75) Inventor: **Ivor Michel Walter**, Boulder, CO (US)

(73) Assignee: **AMSA, Inc.**, Boulder, CO (US)

(**) Term: **14 Years**

(21) Appl. No.: **29/384,899**

(22) Filed: **Feb. 4, 2011**

(51) **LOC (9) Cl.** **12-02**

(52) **U.S. Cl.** **D34/21**

(58) **Field of Classification Search** D34/12-27;
280/33.996, 33.991, 33.992, 33.995, 33.997,
280/47.34, 47.35

See application file for complete search history.

(56) **References Cited**

U.S. PATENT DOCUMENTS

3,039,564	A	6/1962	Shaukis	
4,560,180	A	12/1985	Ulmer	
D321,577	S	11/1991	Ellis et al.	
5,211,410	A	5/1993	Trubiano	
5,435,582	A	7/1995	Davidson	
5,507,507	A	4/1996	Davidson	
5,553,876	A	9/1996	Trubiano	
6,126,181	A	10/2000	Ondrasik	
6,644,674	B2	11/2003	Simard	
6,932,363	B2	8/2005	D'Angelo	
D538,501	S	3/2007	Walter	
D580,619	S	11/2008	Walter	
D583,523	S	12/2008	Deal et al.	
D606,723	S *	12/2009	Walter	D34/21
D607,173	S	12/2009	Selvig et al.	
D633,269	S	2/2011	Walter	
D638,602	S *	5/2011	Walter	D34/21
D639,521	S *	6/2011	Walter	D34/21
2001/0022436	A1	9/2001	Simard	
2003/0151219	A1	8/2003	Simard	

OTHER PUBLICATIONS

Peggs KNM075GT Scan of website [http://www.thepeggscompany.com/shopping_carts/large_view/2_tier.html] showing prior art cart manufactured by Peggs.

Technibilt 5141-D Scan of website [http://www.technibilt.com/carts/detail.php?id=36] showing prior art cart manufactured by Techibilt.
Technibilt 5341 Scan of website [http://www.technibilt.com/carts/detail.php?id=30] showing prior art cart manufactured by Techibilt.

(Continued)

Primary Examiner — Cynthia Ramirez

(74) *Attorney, Agent, or Firm* — Margaret Polson; Oppedahl Patent Law Firm LLC

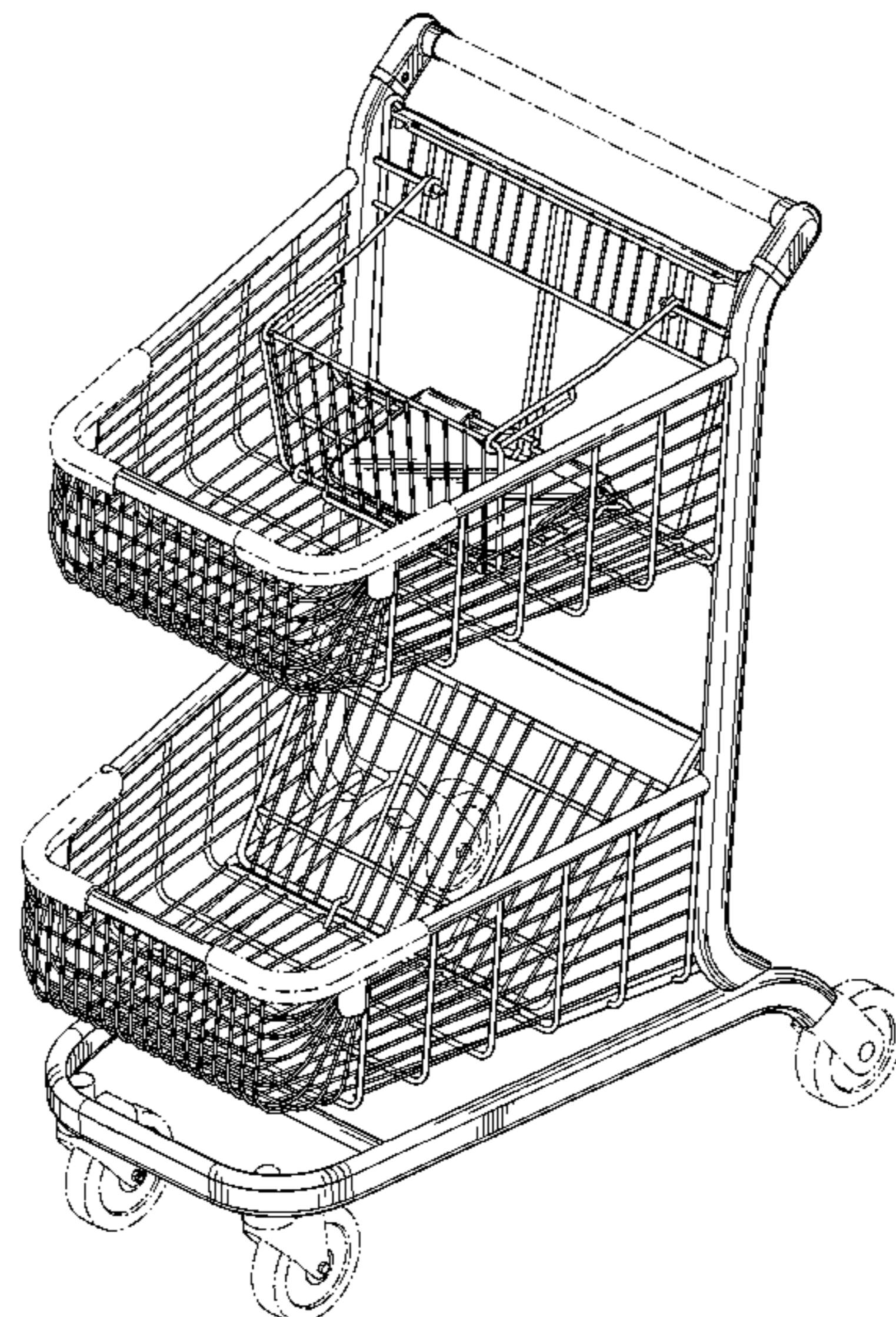
(57) **CLAIM**

The ornamental design for a cart, as shown and described.

DESCRIPTION

FIG. 1 is a front perspective view of the first embodiment of my new design for a cart;
FIG. 2 is a side elevation view of the right and left sides, which are mirror images, of FIG. 1
FIG. 3 is a front side elevation view of FIG. 1.
FIG. 4 is back side elevation view of FIG. 1.
FIG. 5 is a top plan view of FIG. 1.
FIG. 6 is a bottom plan view of FIG. 1.
FIG. 7 is a front perspective view of the second embodiment of my new design for a cart;
FIG. 8 is a side elevation view of the right and left sides, which are mirror images, of FIG. 7
FIG. 9 is a front side elevation view of FIG. 7.
FIG. 10 is back side elevation view of FIG. 7.
FIG. 11 is a top plan view of FIG. 7; and,
FIG. 12 is a bottom plan view of FIG. 7.
The broken line showing of the wheels, handle and bumpers in FIGS. 1 through 6 and the wheels, handle, bumpers and element at the bottom in FIGS. 7 through 12 is included for the purpose of illustrating environment and forms no part of the claimed design.

1 Claim, 10 Drawing Sheets



OTHER PUBLICATIONS

Technibilt 5640 Scan of website [<http://www.technibilt.com/carts/detail.php?id=28>] showing prior art cart manufactured by Techibilt.

U.S. Appl. No. 29/377,913, filed Oct. 27, 2010; Inventor: Ivor Michel Walter.

U.S. Appl. No. 29/379,137, filed Nov. 15, 2010; Inventor: Ivor Michel Walter.

U.S. Appl. No. 29/380,209, filed Dec. 1, 2010; Inventor: Ivor Michel Walter.

U.S. Appl. No. 29/380,964, filed Dec. 14, 2010; Inventor: Ivor Michel Walter.

U.S. Appl. No. 29/380,622, filed Dec. 8, 2010; Inventor: Ivor Michel Walter.

U.S. Appl. No. 29/385,395, filed Feb. 14, 2011; Inventor: Ivor Michel Walter.

U.S. Appl. No. 29/380,921, filed Dec. 13, 2010; Inventor: Robert D. Peota.

* cited by examiner

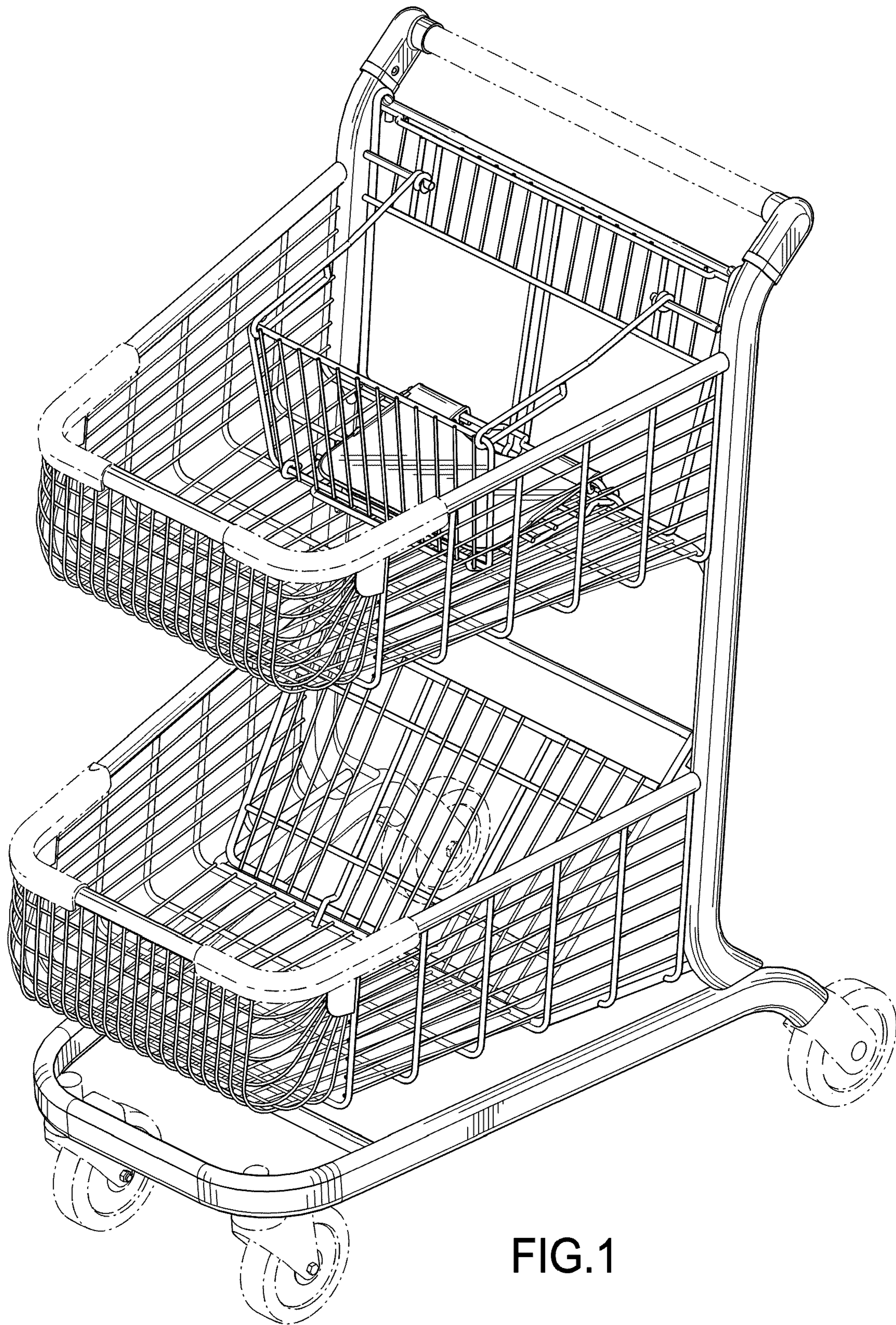


FIG. 1

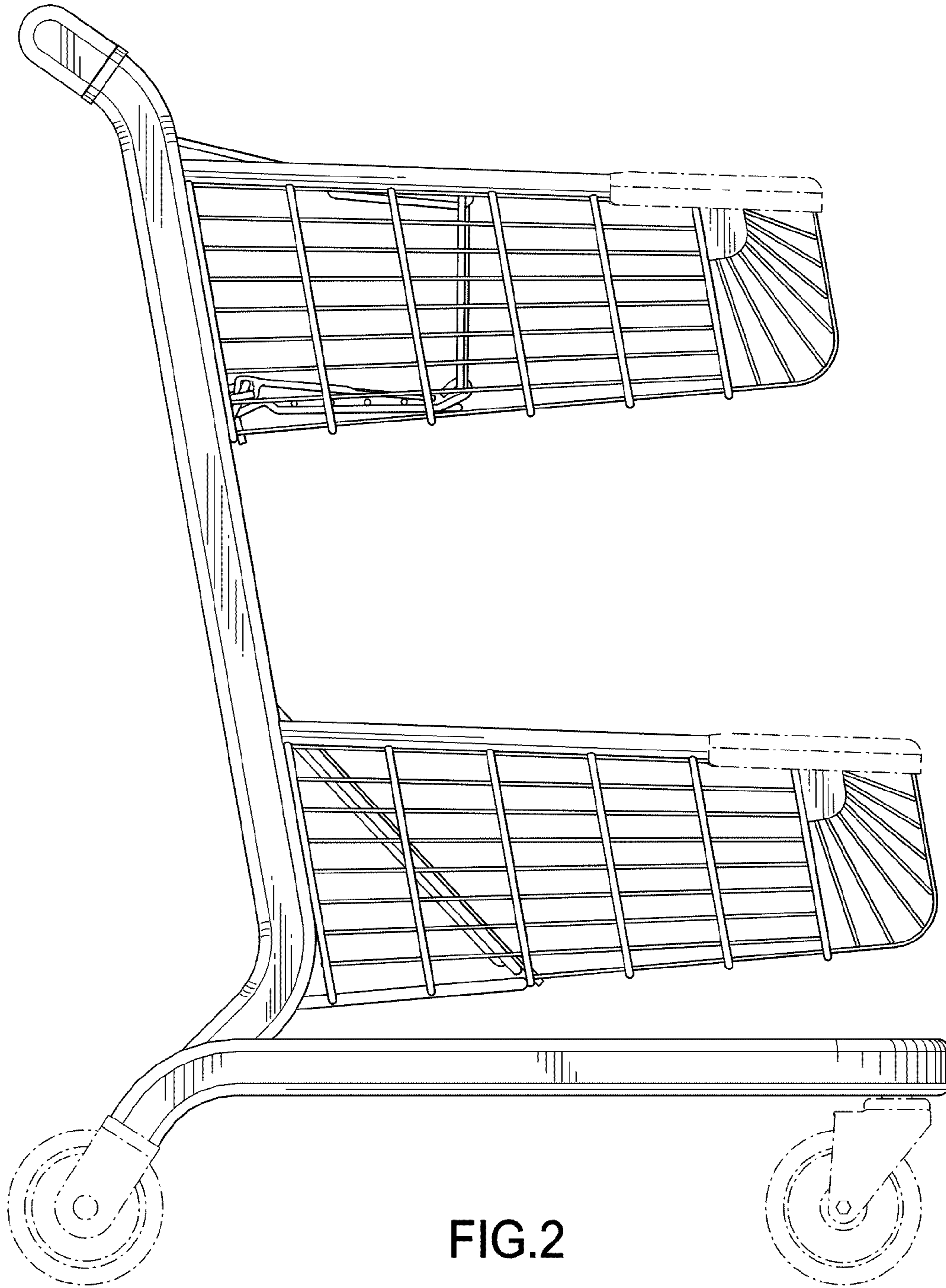


FIG. 2

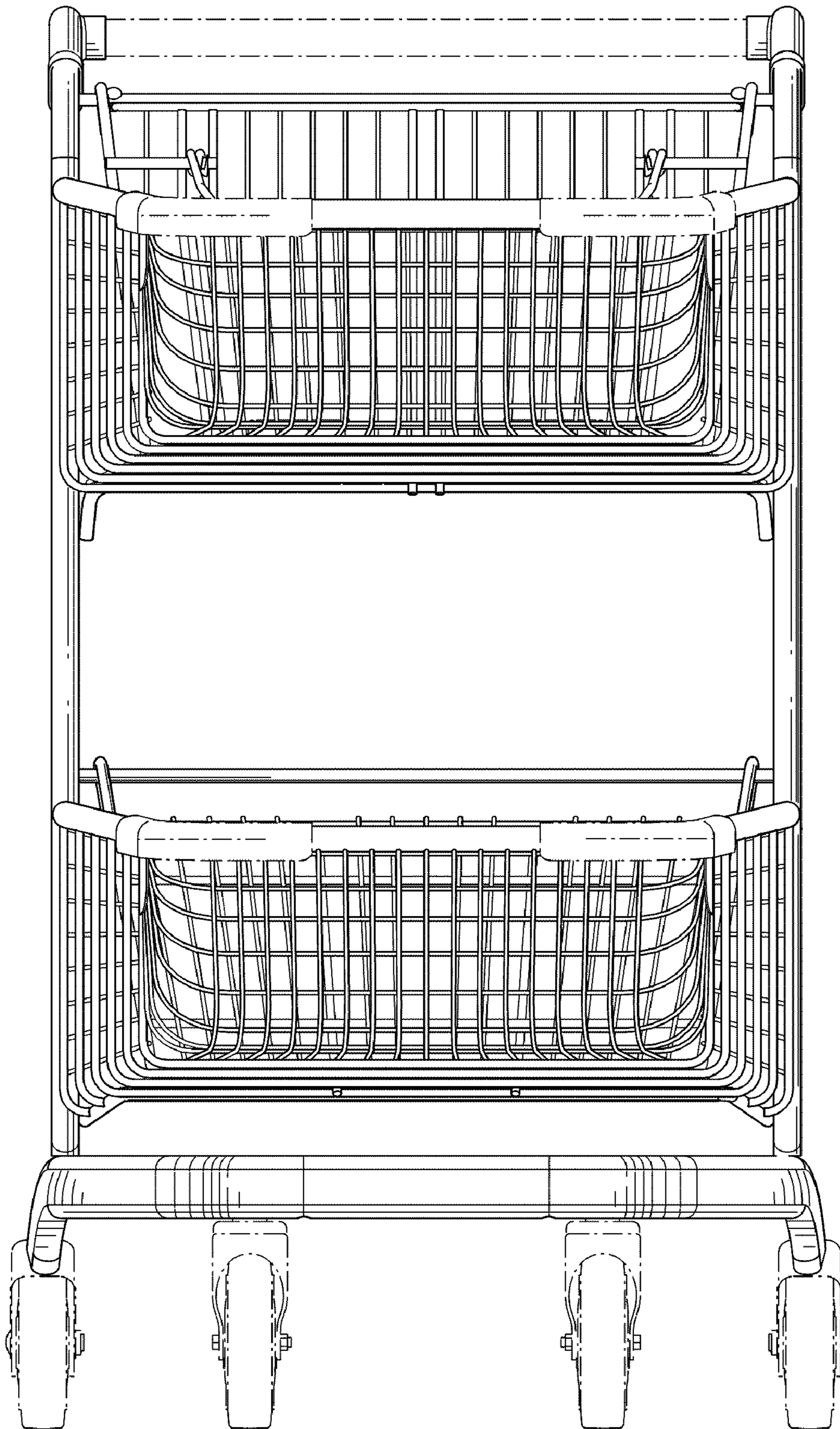


FIG.3

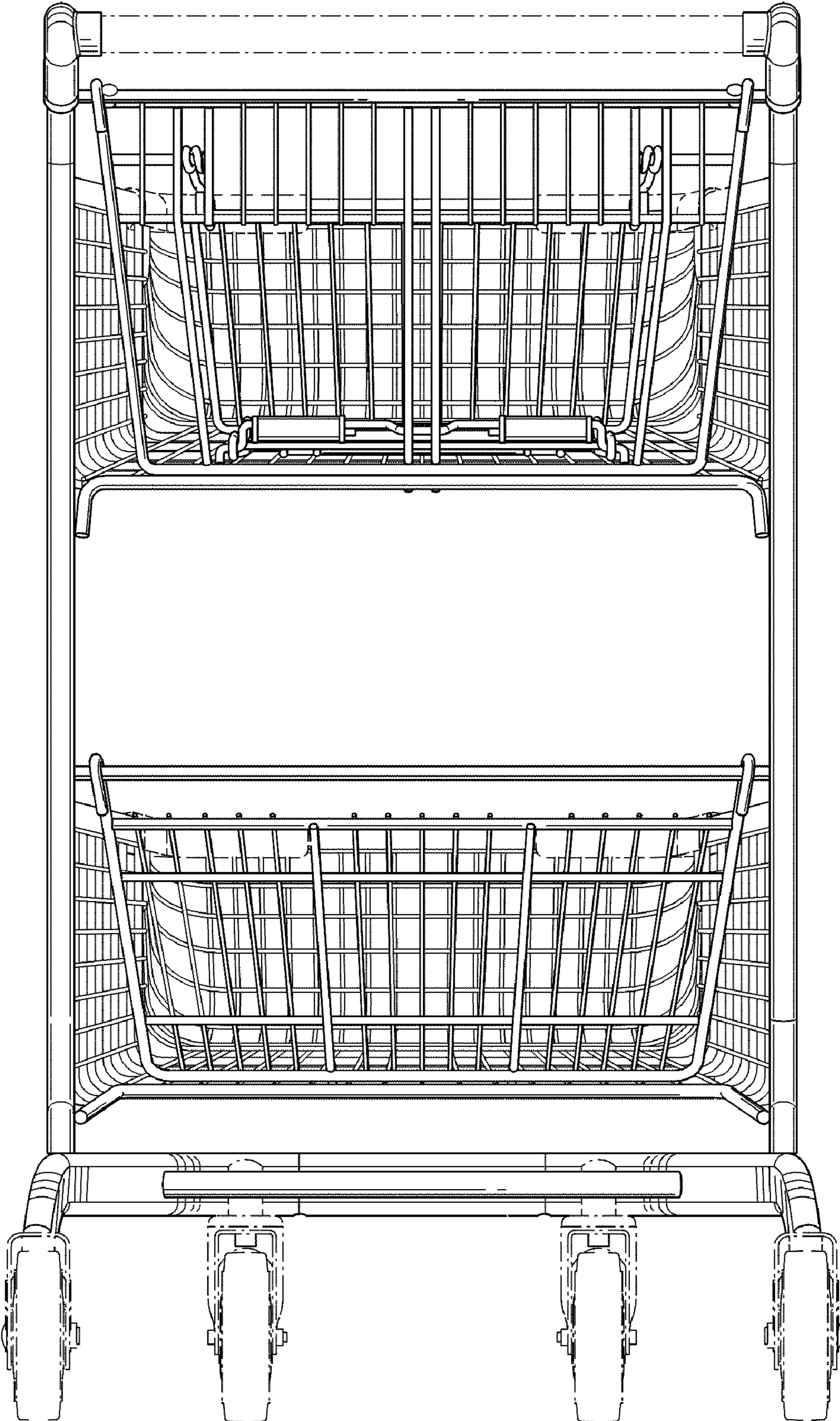


FIG.4

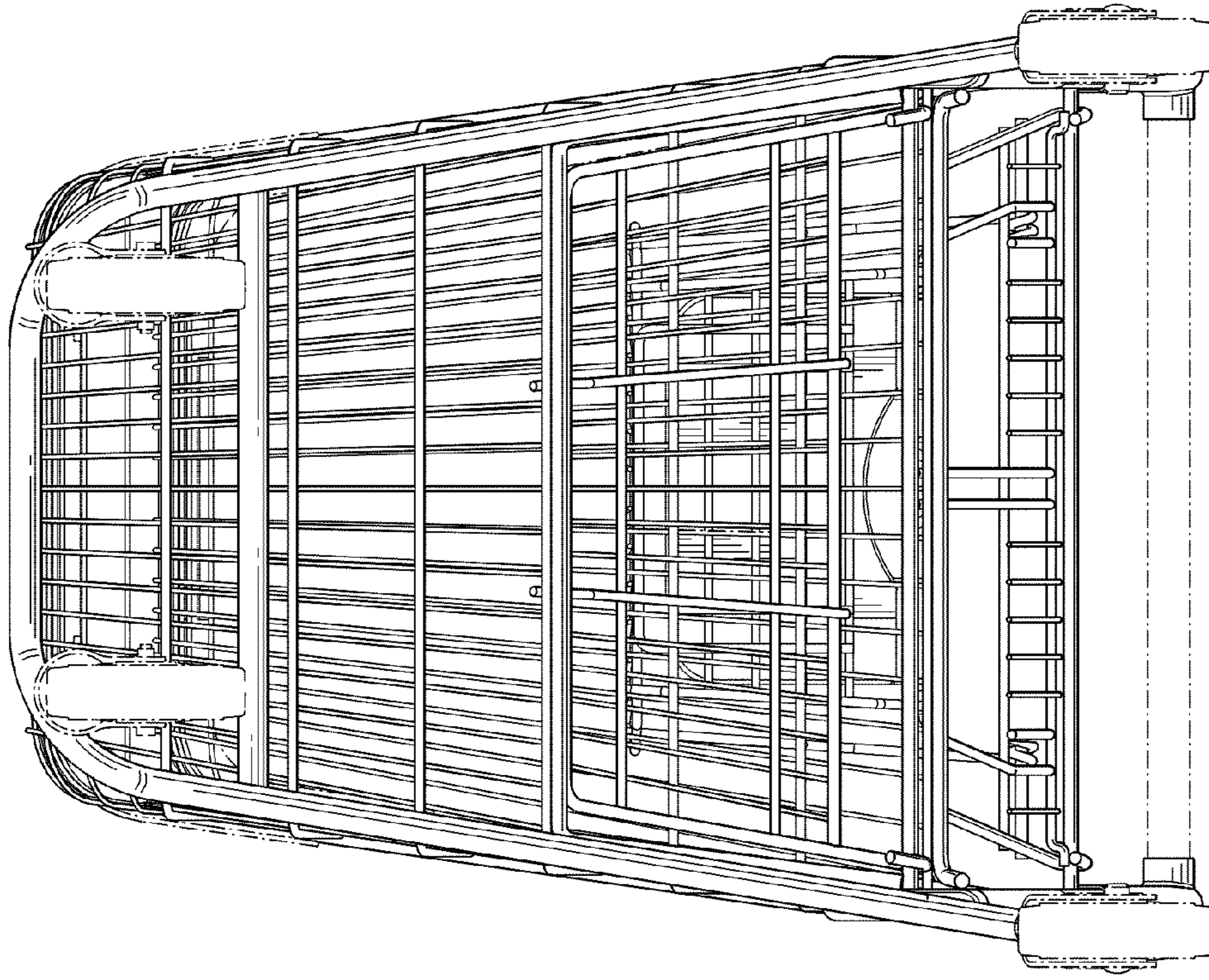


FIG. 6

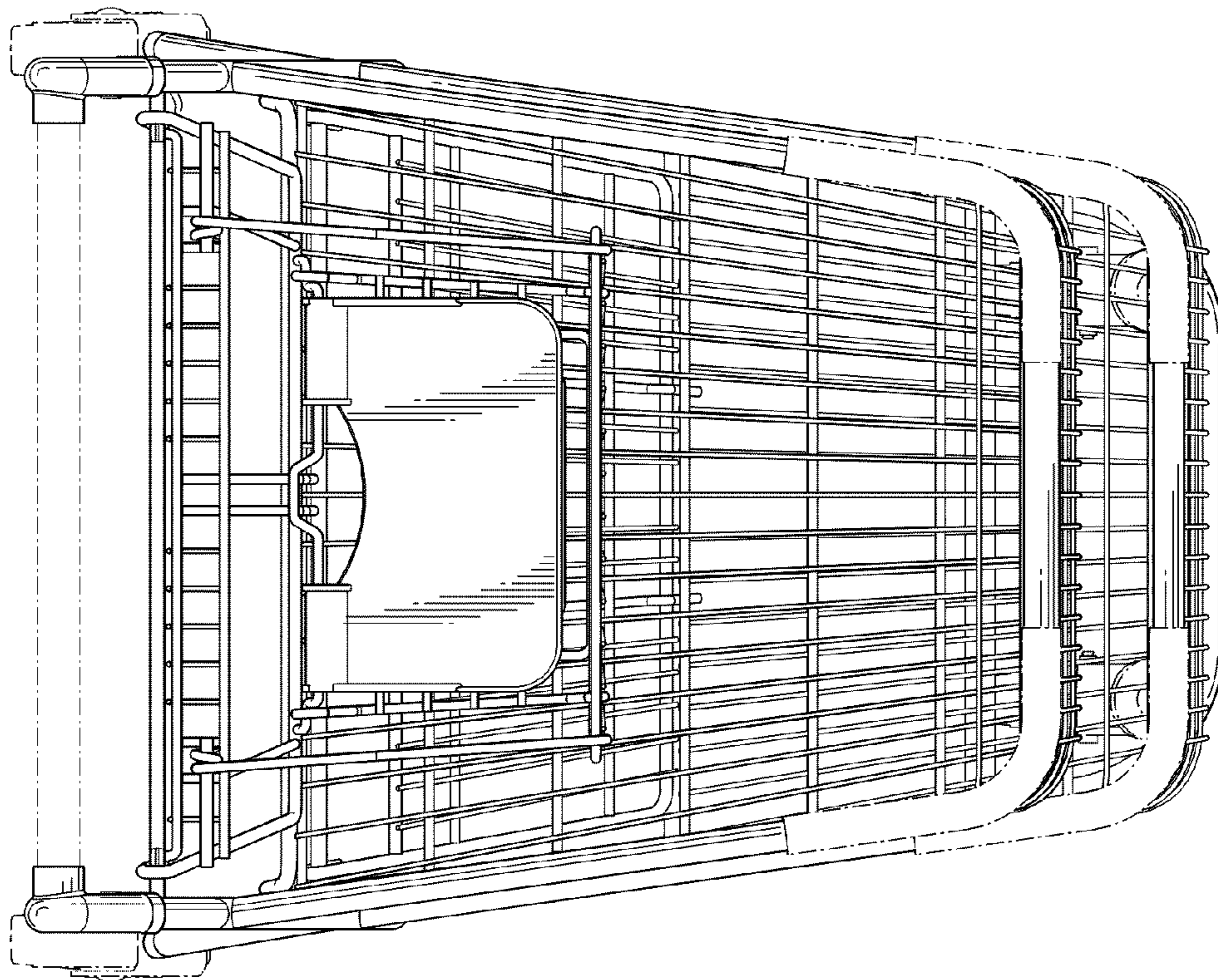


FIG. 5

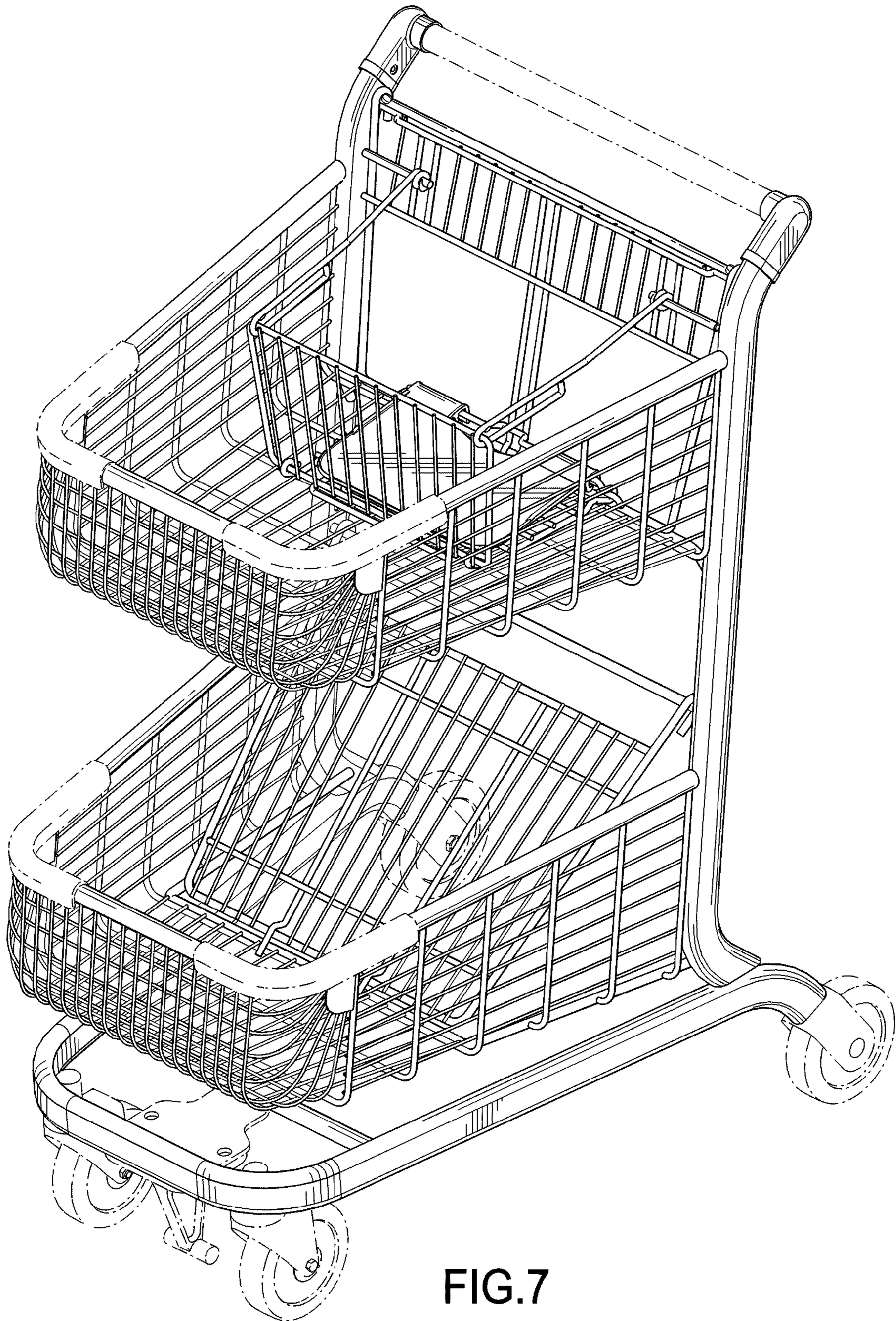


FIG. 7

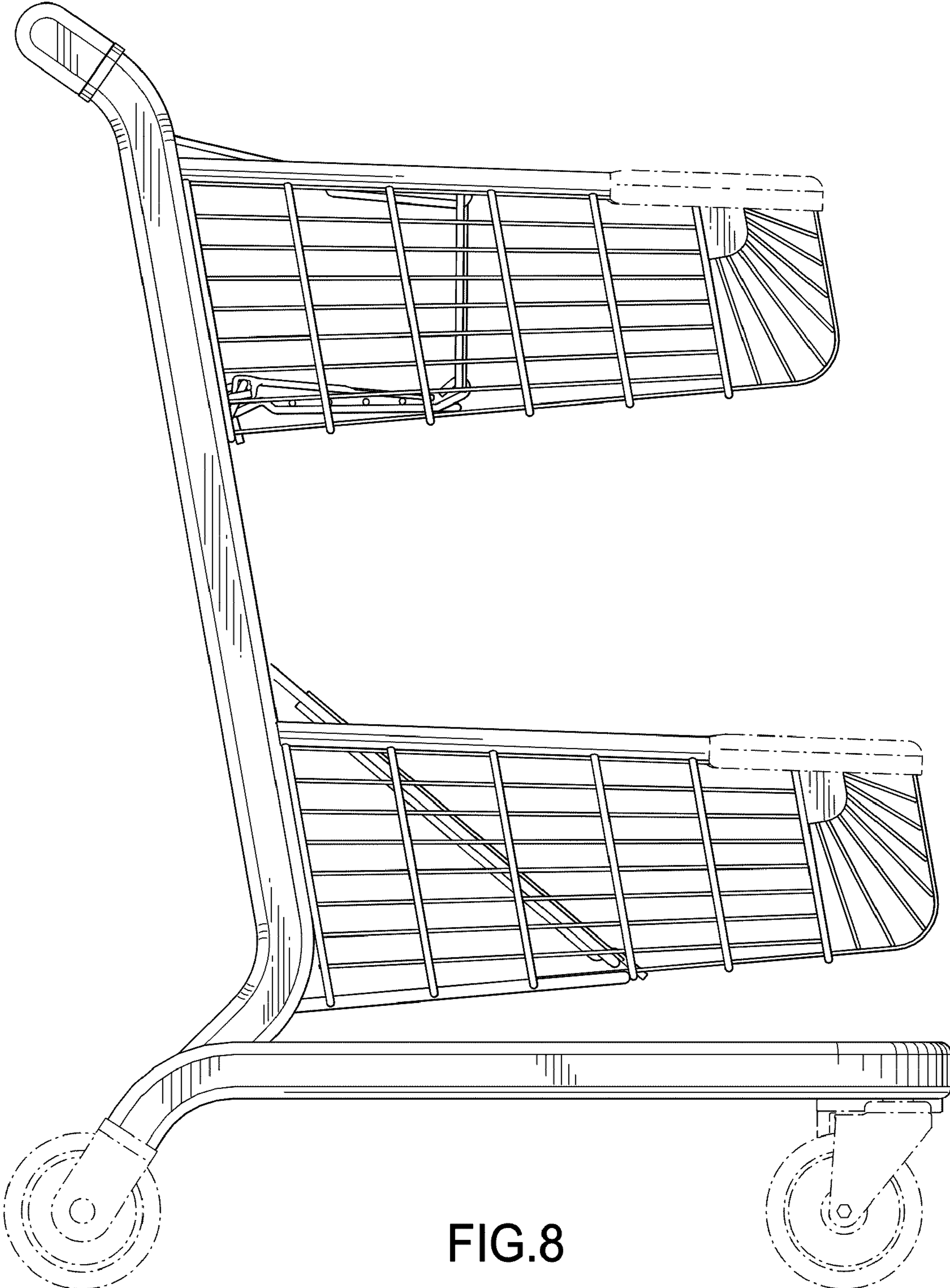


FIG.8

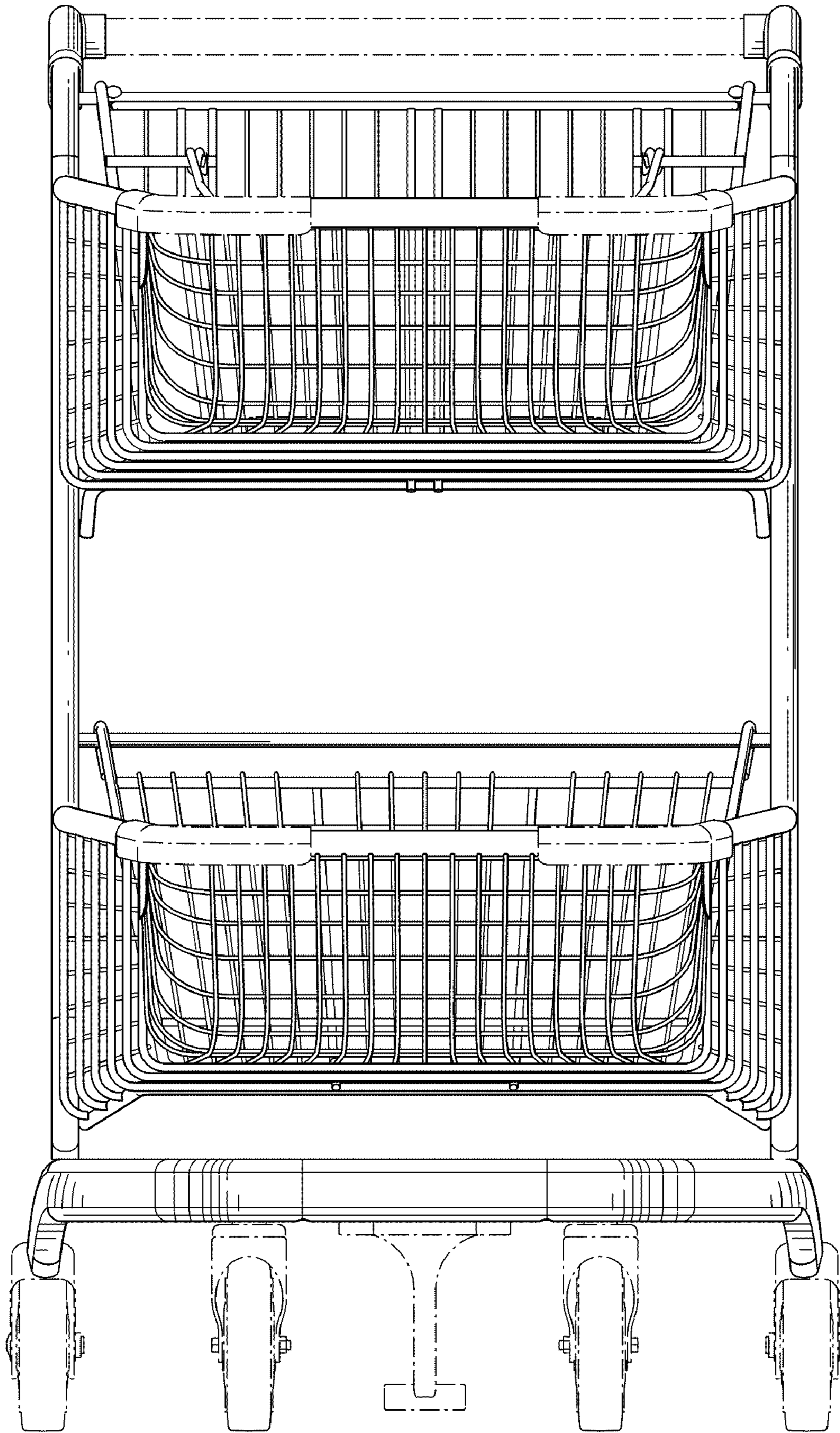


FIG.9

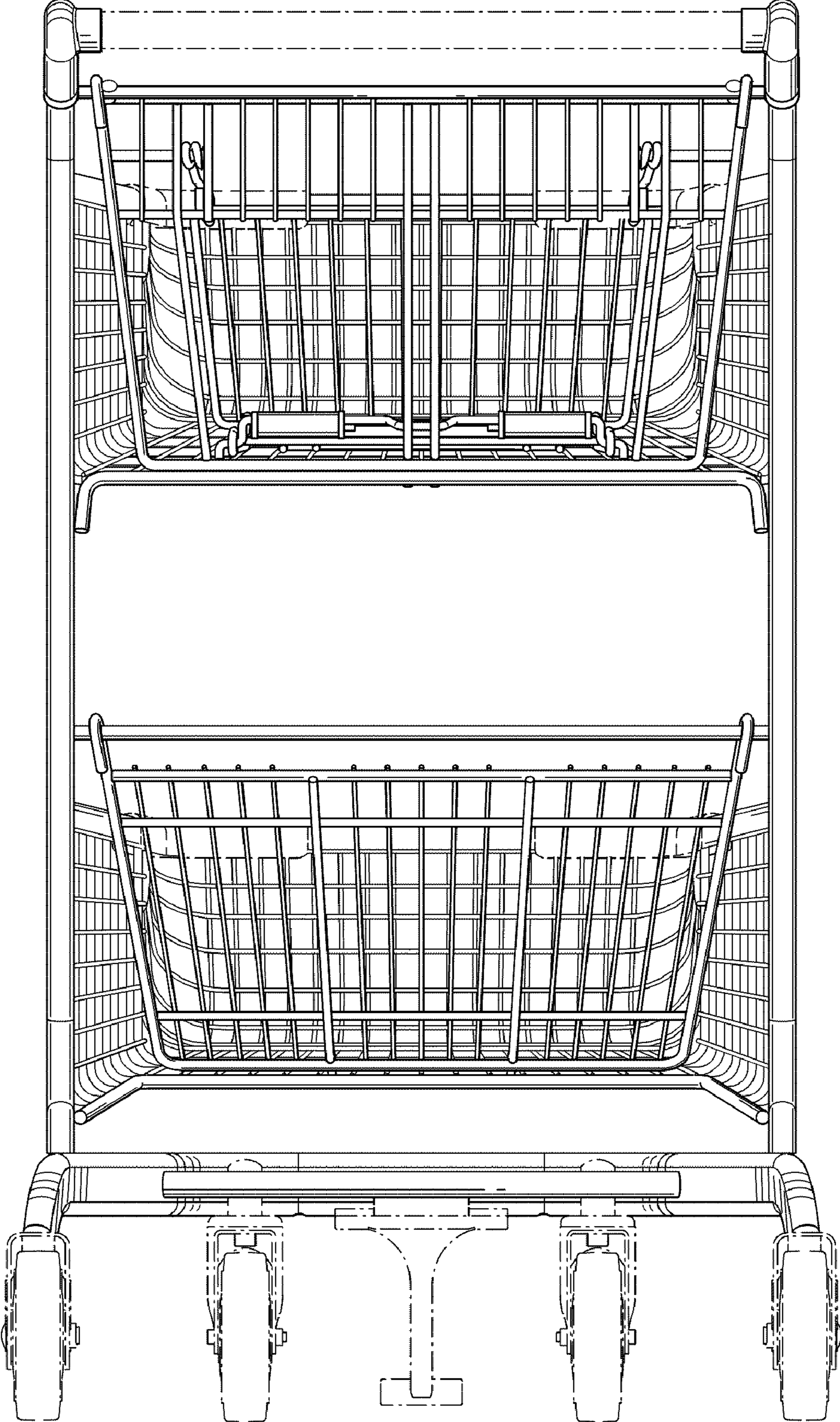


FIG.10

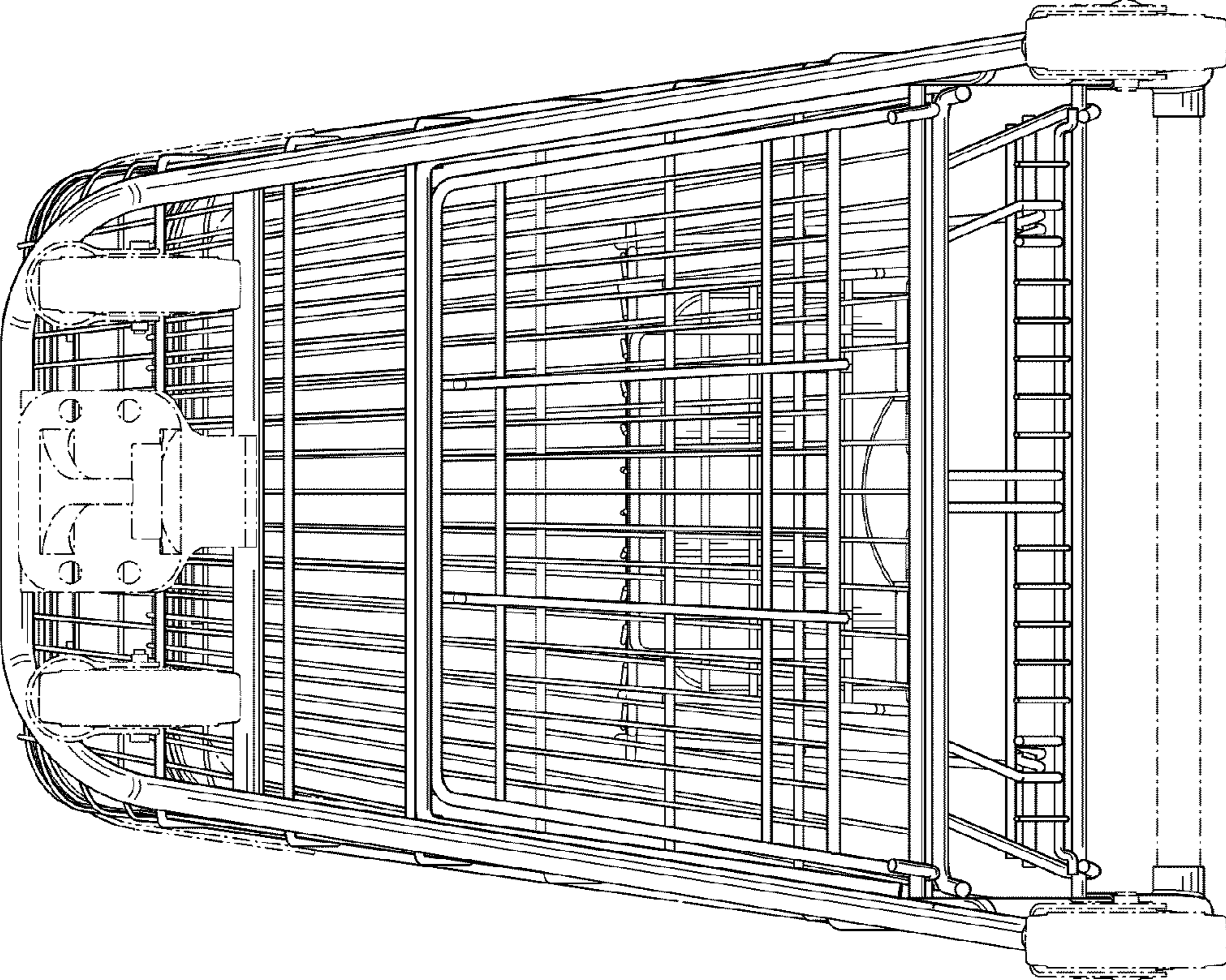


FIG.12

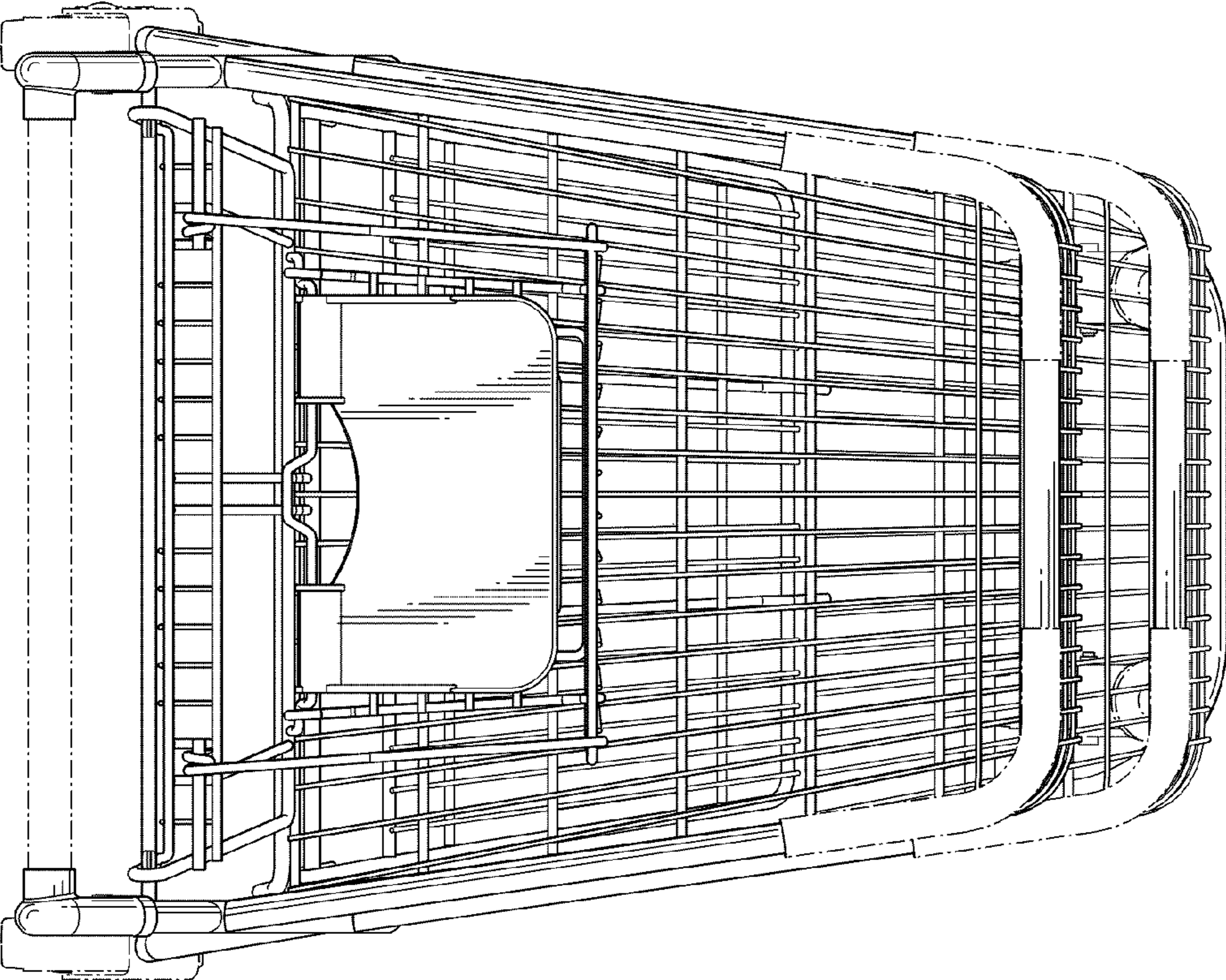


FIG.11