



US00D644392S

(12) **United States Design Patent**
Quan

(10) **Patent No.:** **US D644,392 S**

(45) **Date of Patent:** **** Aug. 30, 2011**

(54) **STEP TRASH CAN**

(75) Inventor: **David Quan**, Toronto (CA)

(73) Assignee: **Umbra LLC**, Buffalo, NY (US)

(**) Term: **14 Years**

(21) Appl. No.: **29/381,879**

(22) Filed: **Dec. 23, 2010**

(51) **LOC (9) Cl.** **09-09**

(52) **U.S. Cl.** **D34/9**

(58) **Field of Classification Search** D34/1-11;
220/908, 908.1, 252, 262, 263

See application file for complete search history.

(56) **References Cited**

U.S. PATENT DOCUMENTS

1,333,051	A	3/1920	Young	
2,063,507	A	12/1936	Karper	
D229,473	S	* 12/1973	Henry	D34/1
D281,111	S	* 10/1985	McClelland	D34/8
D319,905	S	* 9/1991	Hotchkiss	D34/9
D326,343	S	* 5/1992	Hradisky	D34/7
D329,929	S	9/1992	Knoedler et al.	
5,147,055	A	9/1992	Samson et al.	
5,170,904	A	12/1992	Neuhaus	
5,219,085	A	6/1993	Craft et al.	
D343,267	S	1/1994	Craft et al.	
D355,060	S	* 1/1995	Bernstein et al.	D32/37
D360,062	S	* 7/1995	Mosior	D24/131
5,535,913	A	7/1996	Asbach et al.	
D381,784	S	* 7/1997	Keller et al.	D34/9
D393,334	S	4/1998	Presnell et al.	
5,881,896	A	3/1999	Presnell et al.	
D412,229	S	* 7/1999	Glenton Kerr	D32/37
5,957,319	A	9/1999	Shane da Costa	
D418,957	S	* 1/2000	Rashid	D34/7
D421,840	S	* 3/2000	Demore	D3/273

D440,725	S	* 4/2001	Zimmerman	D34/7
D453,600	S	2/2002	Lin	
6,345,725	B1	2/2002	Lin	
6,390,321	B1	5/2002	Wang	
D467,696	S	* 12/2002	Rashid	D34/9
D486,285	S	2/2004	Kuo	
D489,854	S	5/2004	Bayens	
D494,722	S	8/2004	Lin	
6,837,393	B1	1/2005	Kuo	
D517,764	S	3/2006	Wang	
D526,455	S	* 8/2006	Chen	D34/8
7,108,148	B2	9/2006	Lu	
RE39,726	E	7/2007	Lin	
D578,721	S	10/2008	Neuhaus	
D592,372	S	5/2009	Neuhaus	
D597,721	S	* 8/2009	Brockington et al.	D34/7
7,832,587	B2	11/2010	West	
D632,039	S	* 2/2011	Yang et al.	D34/9
2006/0278643	A1	12/2006	Chiou	
2010/0219191	A1	9/2010	Prosa	

* cited by examiner

Primary Examiner — Cynthia Ramirez

(74) *Attorney, Agent, or Firm* — Simpson & Simpson, PLLC

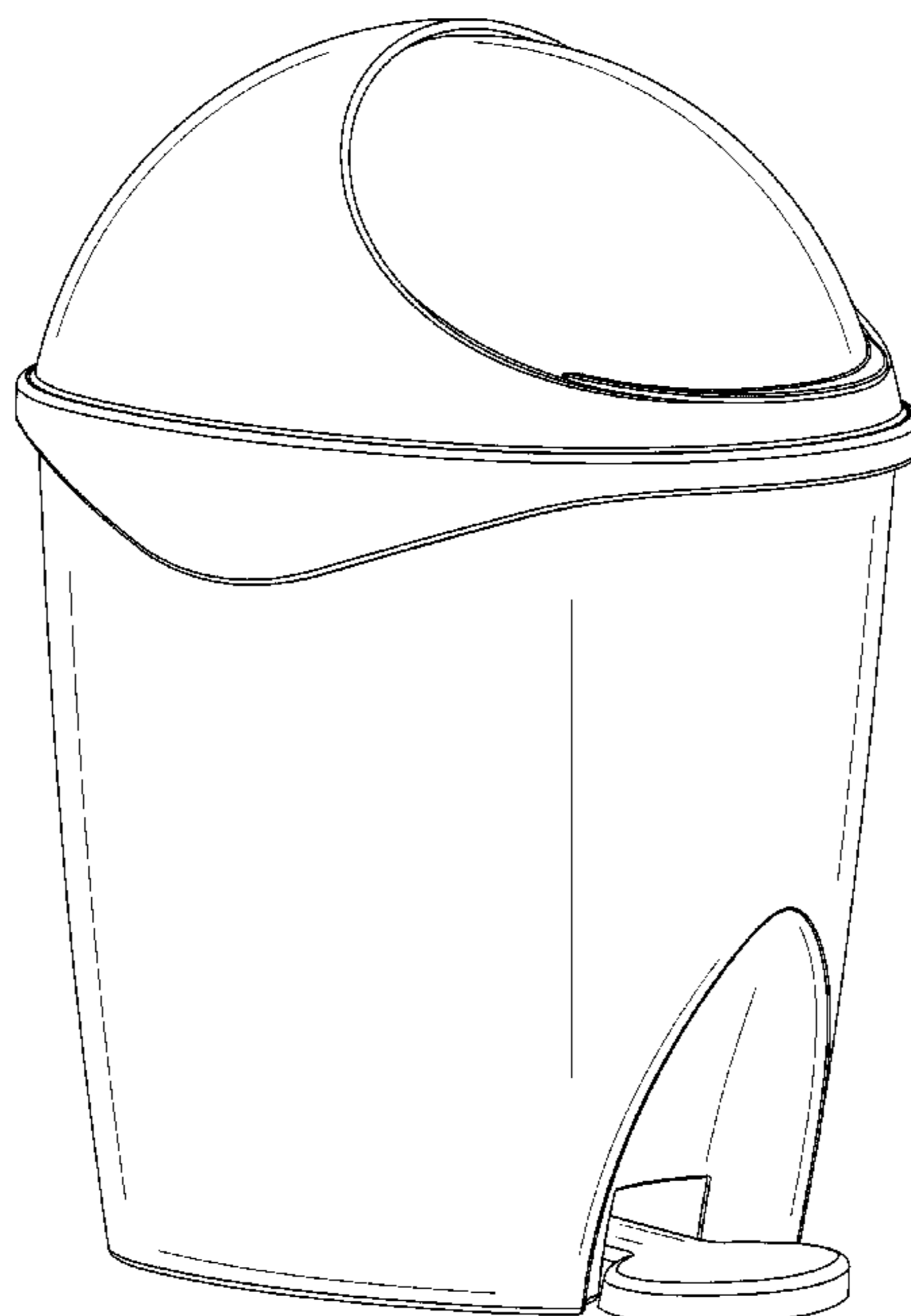
(57) **CLAIM**

The ornamental design for a step trash can, as shown and described.

DESCRIPTION

FIG. 1 is a front perspective view of the present invention step trash can;
FIG. 2 is a rear bottom perspective view of the invention;
FIG. 3 is a top plan view of the invention;
FIG. 4 is a bottom plan view of the invention;
FIG. 5 is a left side elevational view of the invention;
FIG. 6 is a right side elevational view of the invention;
FIG. 7 is a front elevational view of the invention; and,
FIG. 8 is a rear elevational view of the invention.

1 Claim, 5 Drawing Sheets



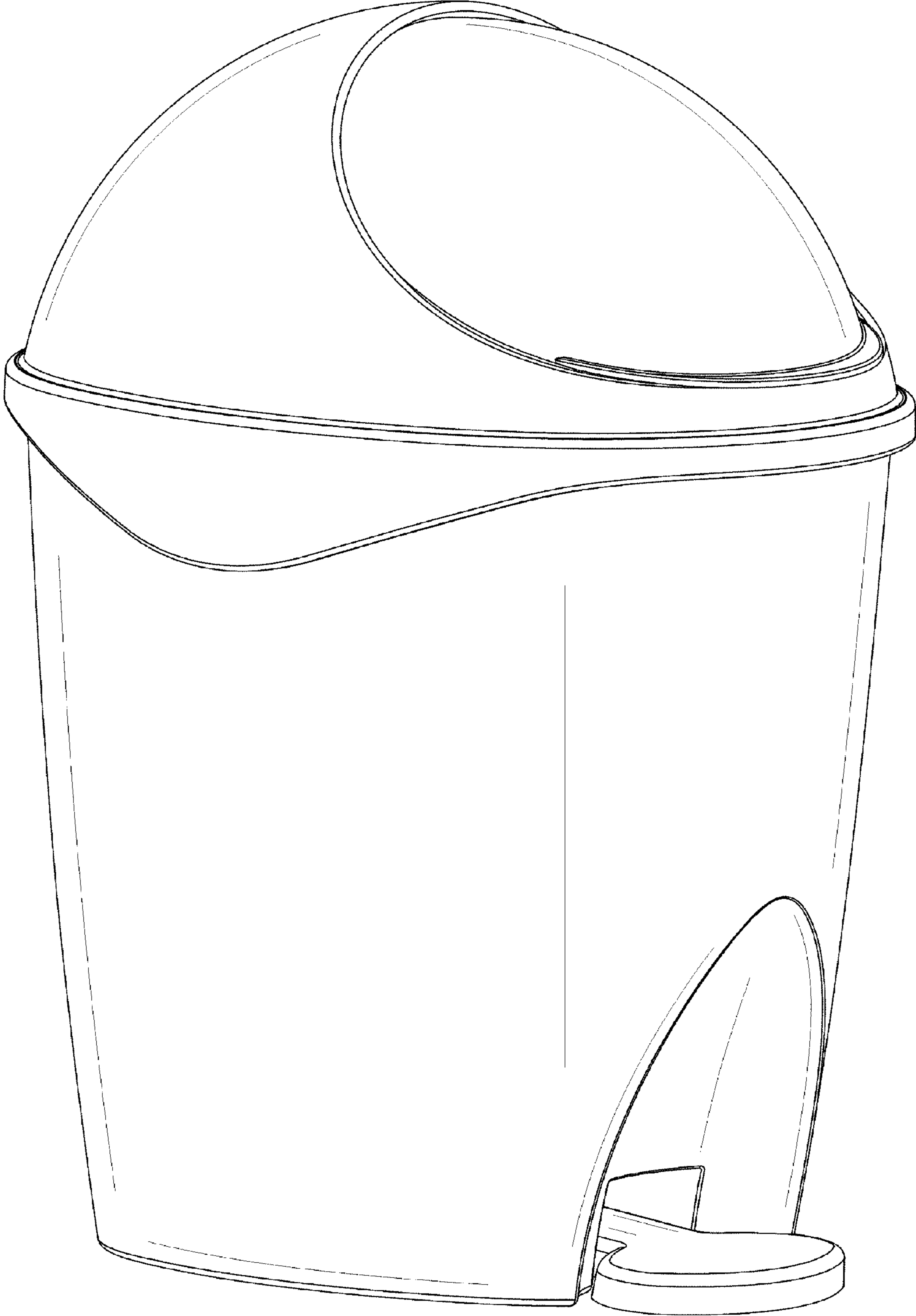


FIG. 1

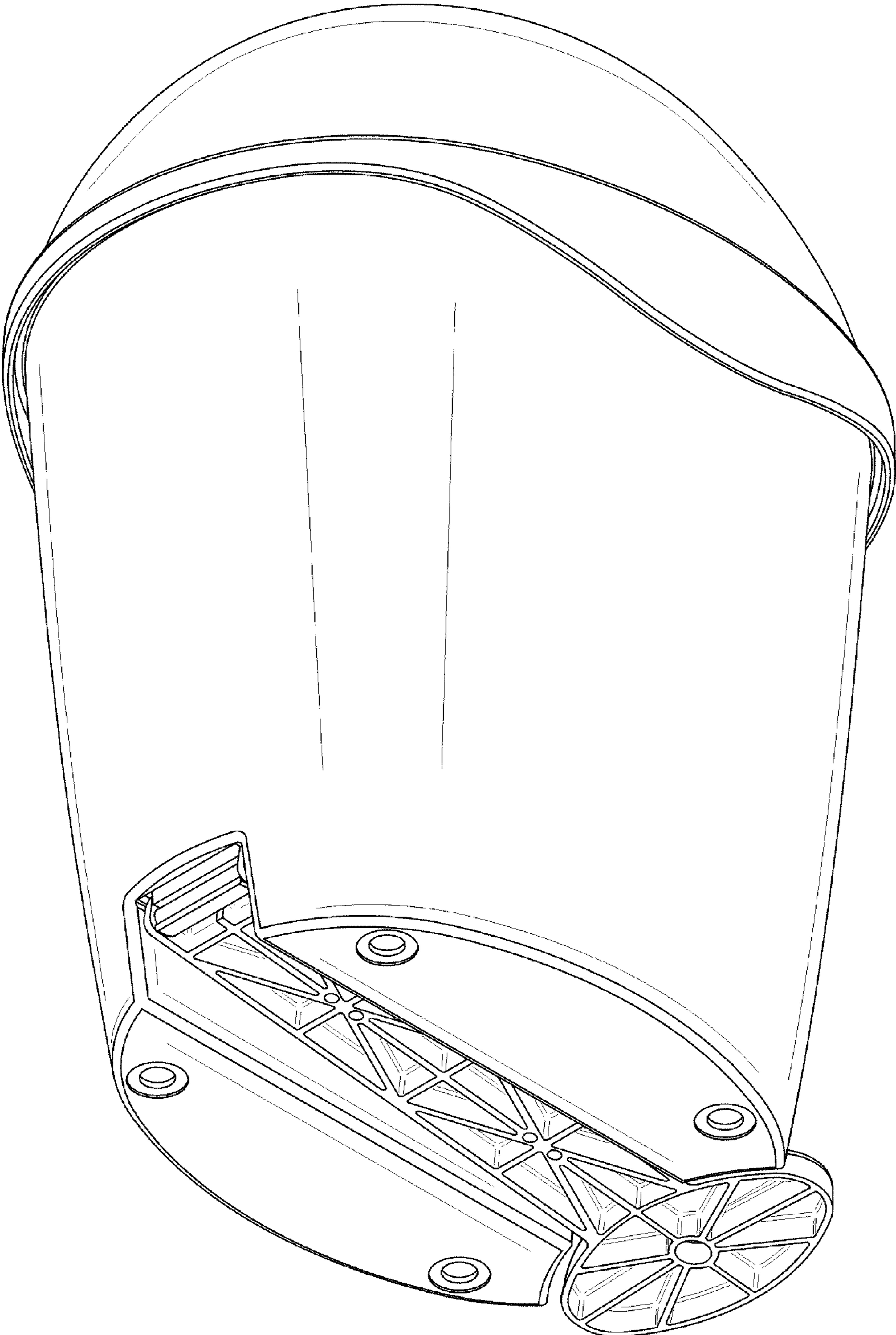


FIG. 2

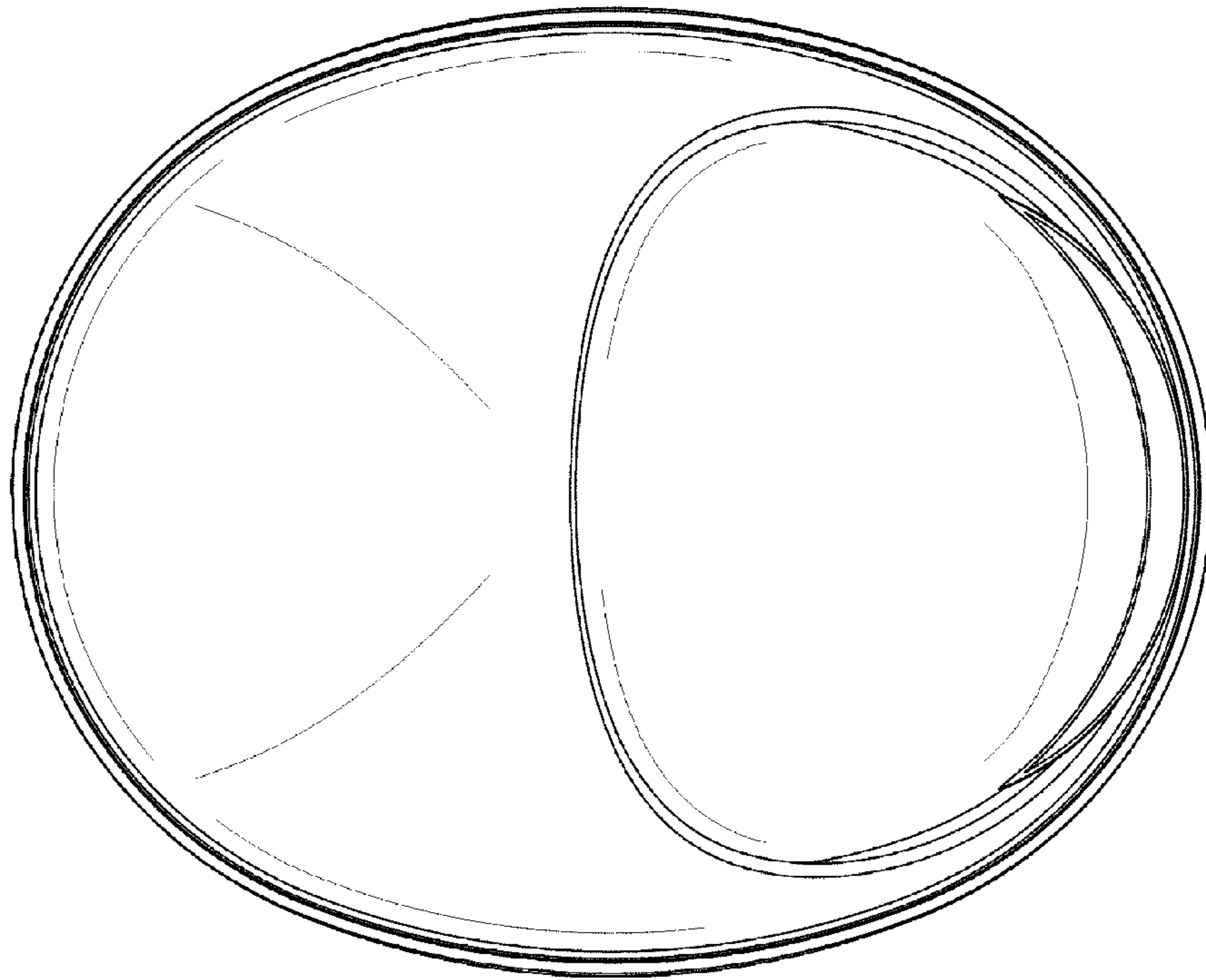


FIG. 3

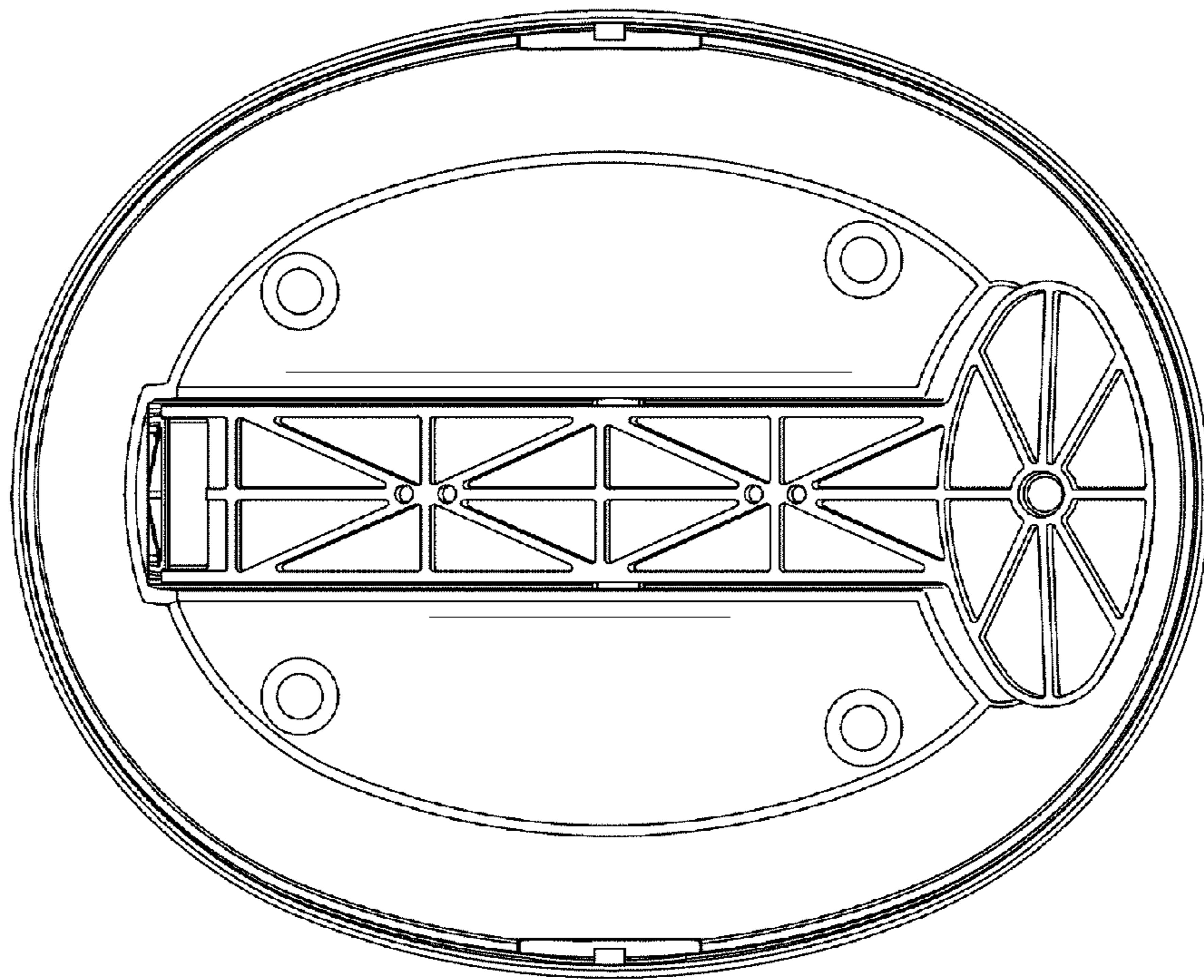


FIG. 4

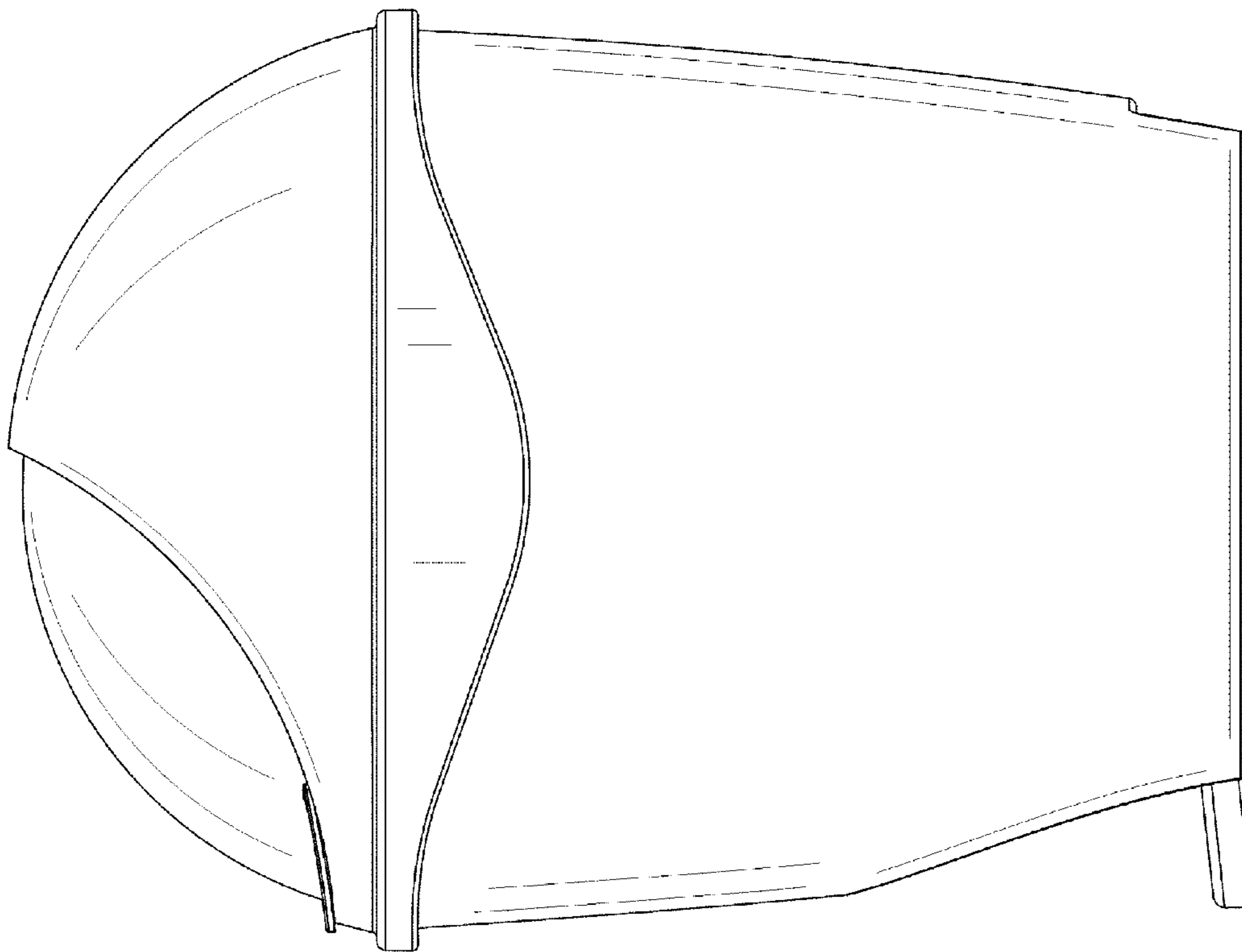


FIG. 6

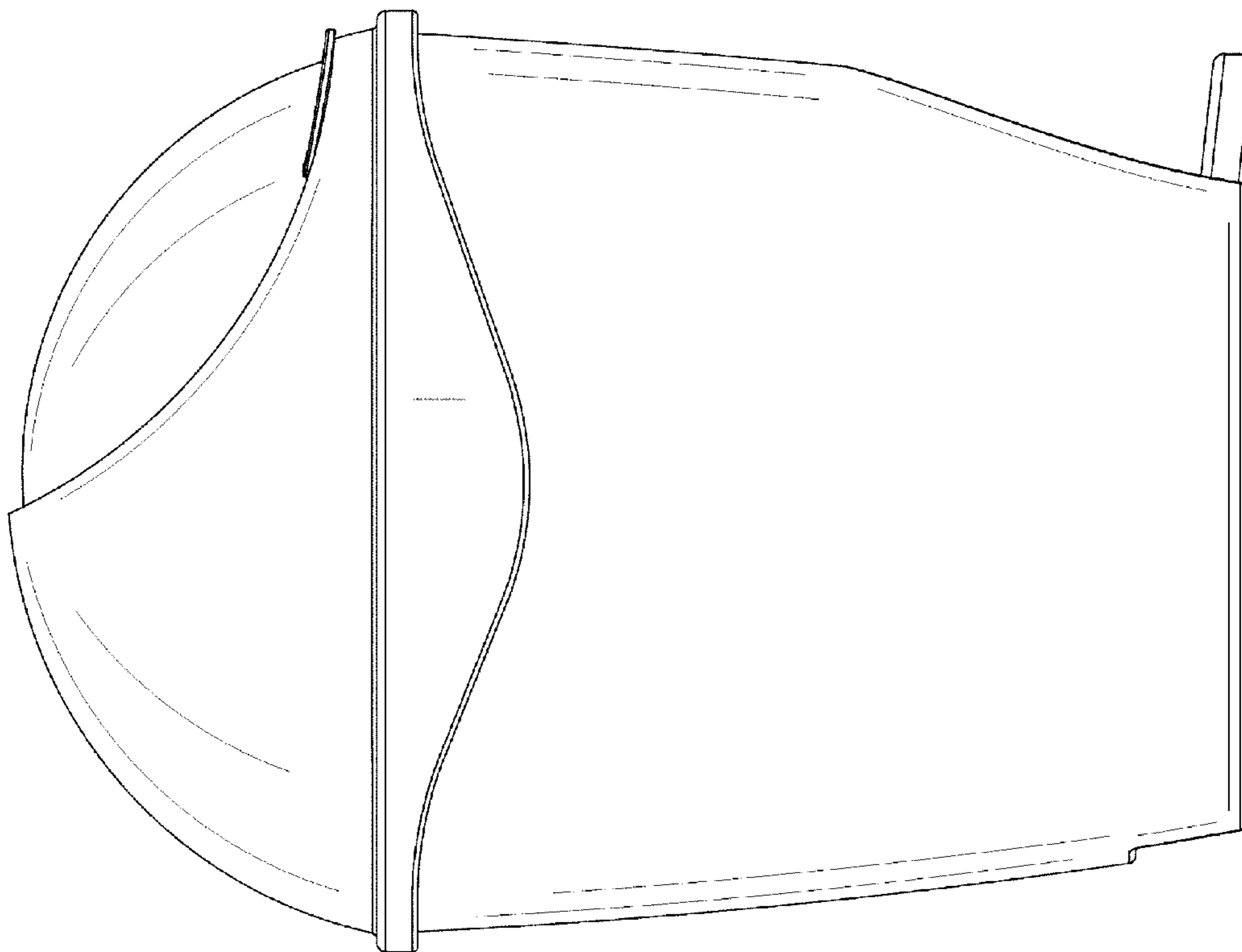


FIG. 5

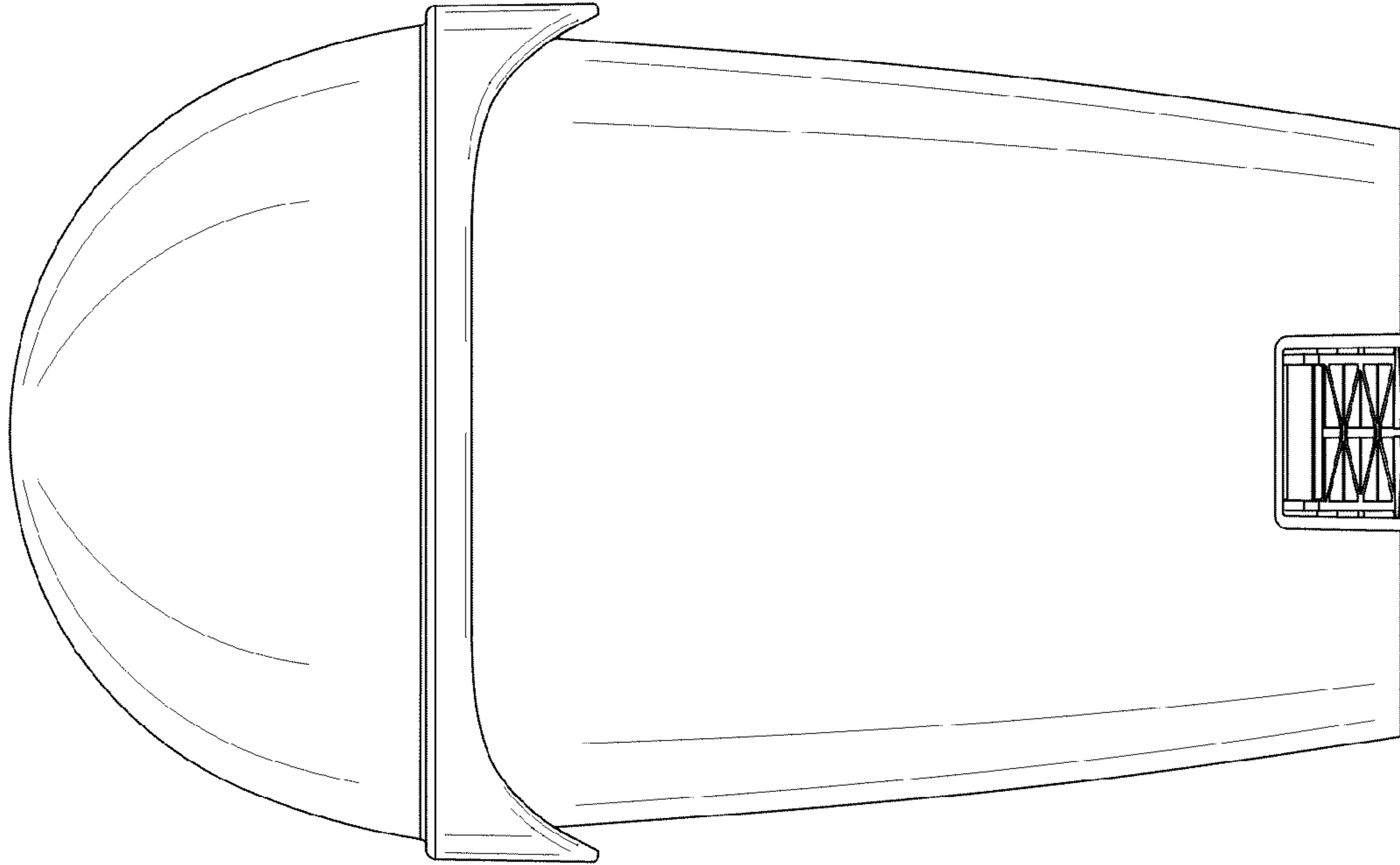


FIG. 8

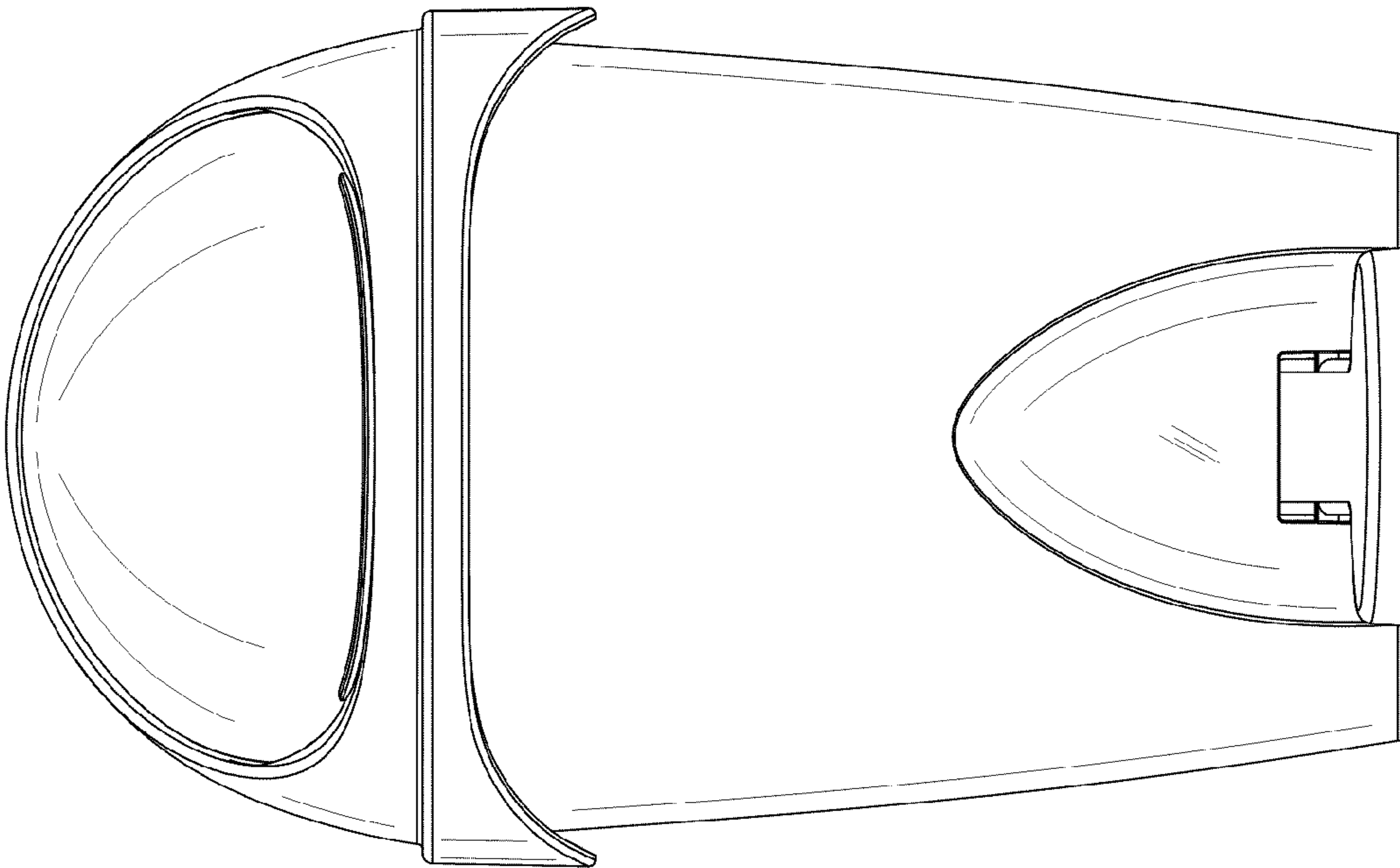


FIG. 7