



US00D644391S

(12) **United States Design Patent**
Kopp et al.

(10) **Patent No.:** **US D644,391 S**

(45) **Date of Patent:** **** Aug. 30, 2011**

(54) **TRASH CONTAINER ASSEMBLY**

(75) Inventors: **Robert G. Kopp**, Elburn, IL (US);
Michael R. Vogler, Oswego, IL (US)

(73) Assignee: **Suncast Technologies, LLC**, Palm
Beach Gardens, FL (US)

(**) Term: **14 Years**

(21) Appl. No.: **29/380,702**

(22) Filed: **Dec. 9, 2010**

(51) **LOC (9) Cl.** **09-09**

(52) **U.S. Cl.** **D34/7**

(58) **Field of Classification Search** D34/1-11;
220/908-913

See application file for complete search history.

(56) **References Cited**

U.S. PATENT DOCUMENTS

D351,697 S * 10/1994 Blotnick D34/1
D507,687 S * 7/2005 Moon et al. D34/7
D551,414 S * 9/2007 Weiss D34/1

D555,862 S * 11/2007 Weiss D34/7
D555,863 S * 11/2007 Weiss D34/7
D594,621 S * 6/2009 Tuncel D34/1
D625,478 S * 10/2010 Cittadino et al. D32/37

* cited by examiner

Primary Examiner — Cynthia Ramirez

(74) *Attorney, Agent, or Firm* — McHale & Slavin, P.A.

(57) **CLAIM**

The ornamental design for a trash container assembly, as shown and described.

DESCRIPTION

FIG. 1 is a top right perspective view of the trash container assembly of the instant invention;

FIG. 2 is a front view thereof;

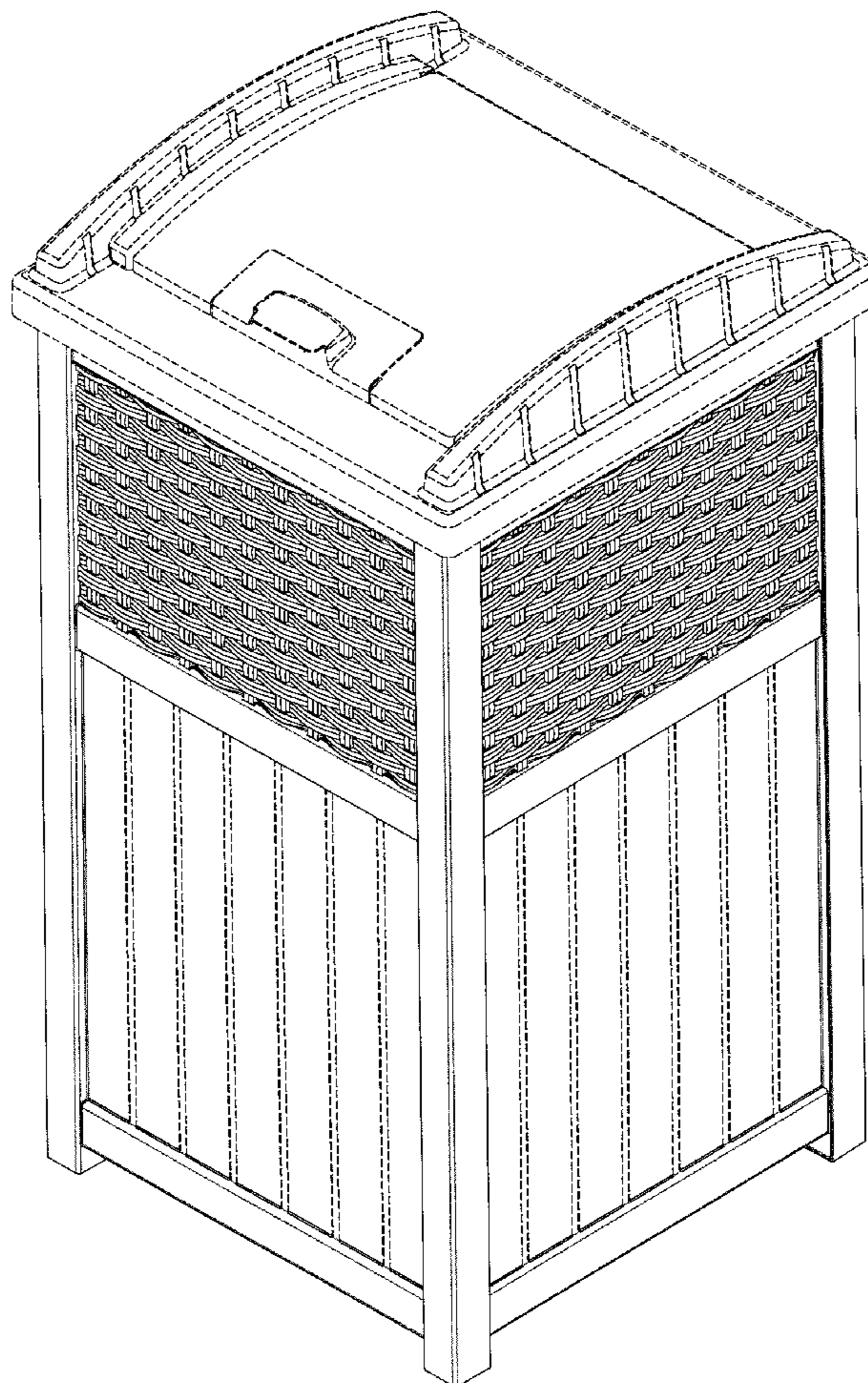
FIG. 3 is a left side view thereof;

FIG. 4 is a right side view thereof; and,

FIG. 5 is a top view thereof.

The portions of the figures illustrated in broken lines are for illustrative purposes only and form no part of the claimed design.

1 Claim, 5 Drawing Sheets



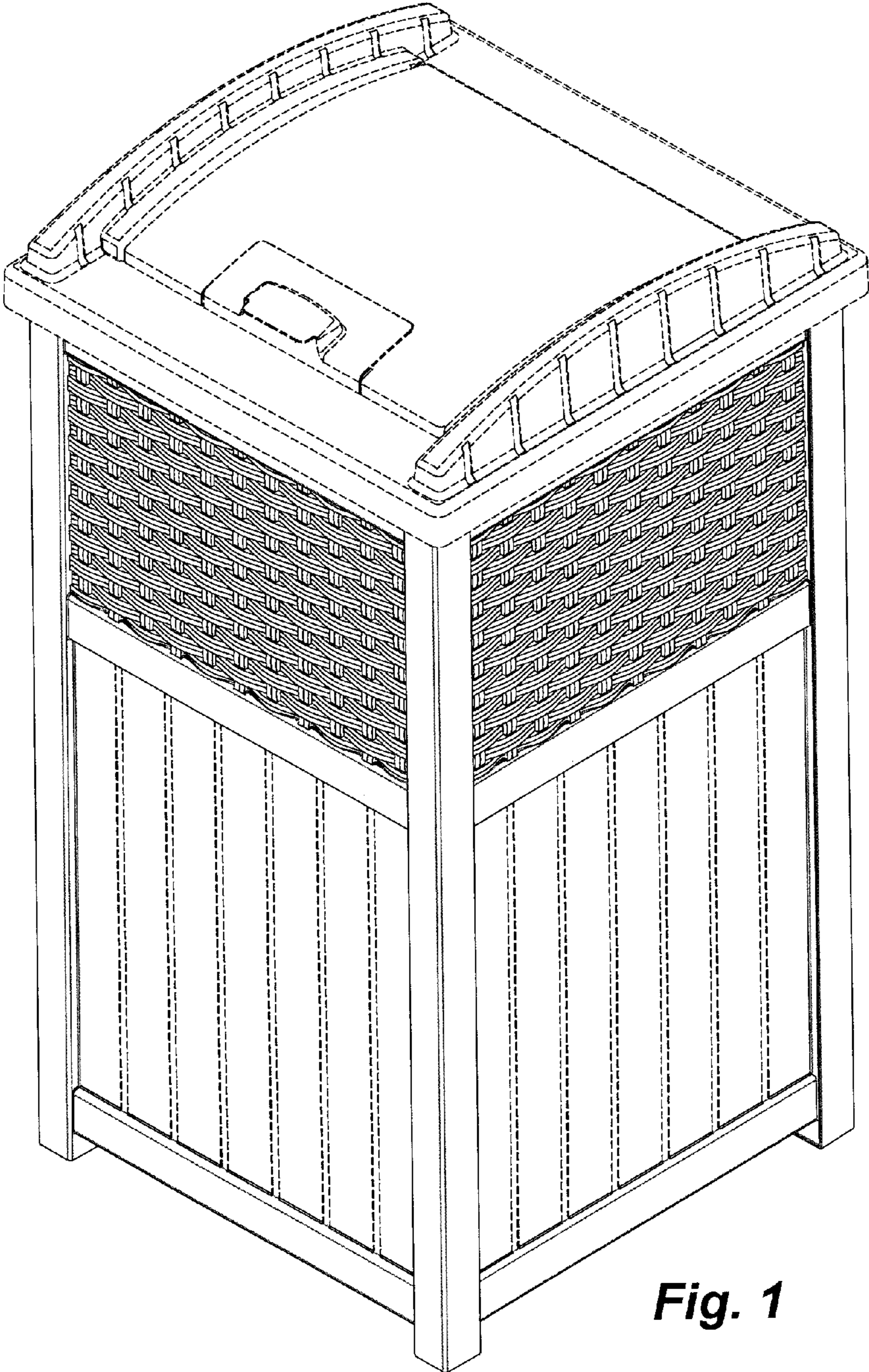


Fig. 1

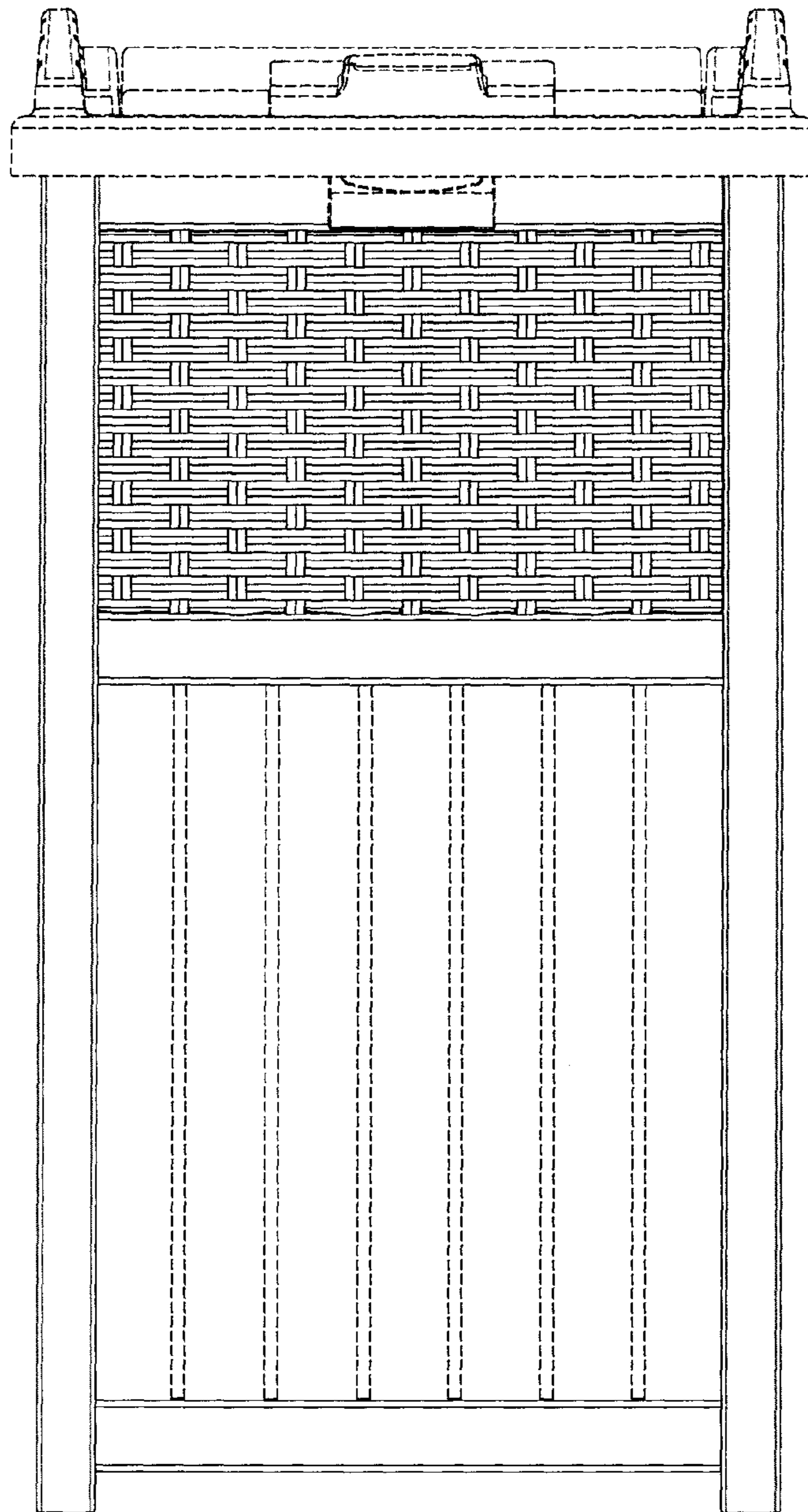


Fig. 2

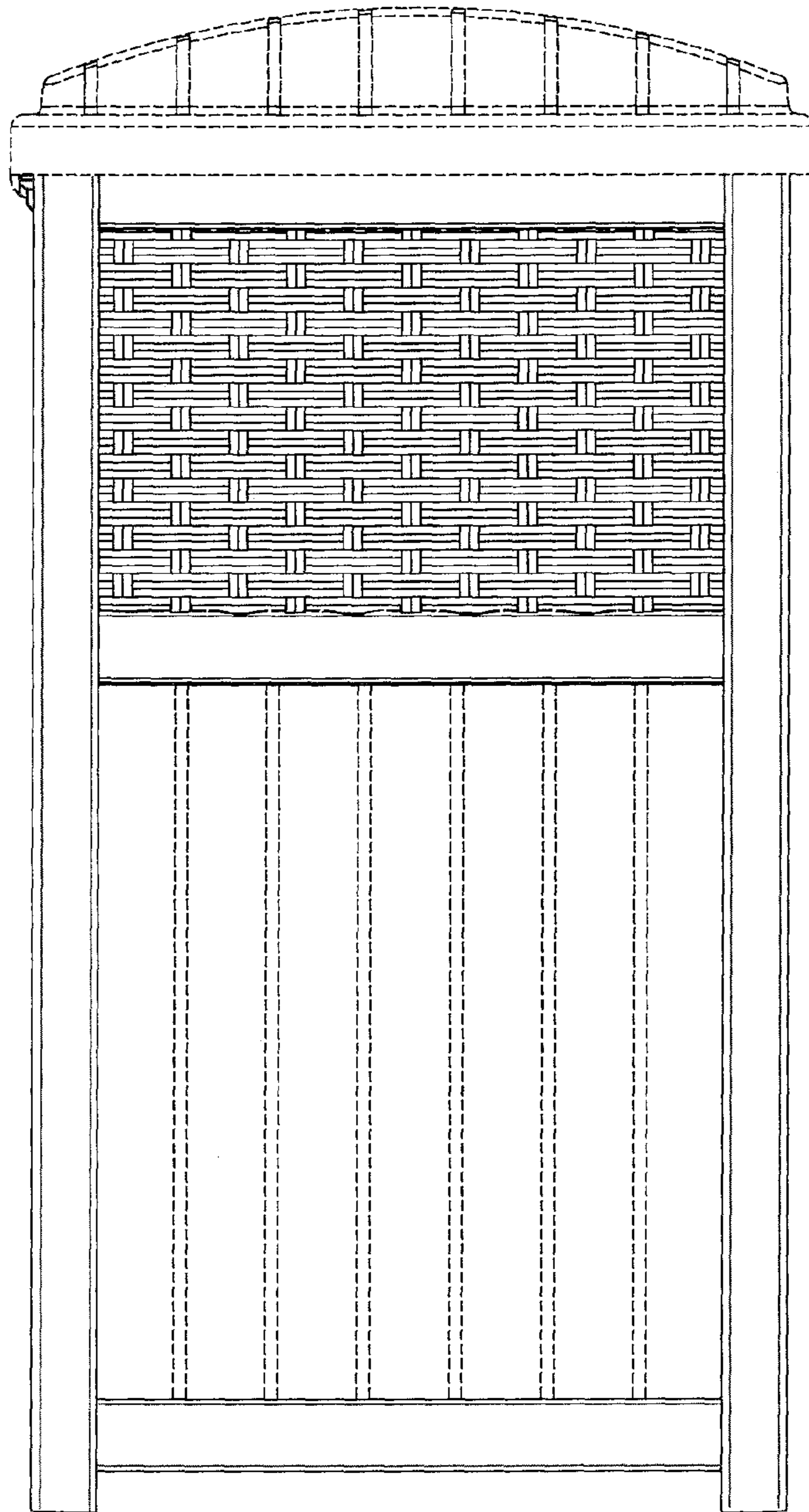


Fig. 3

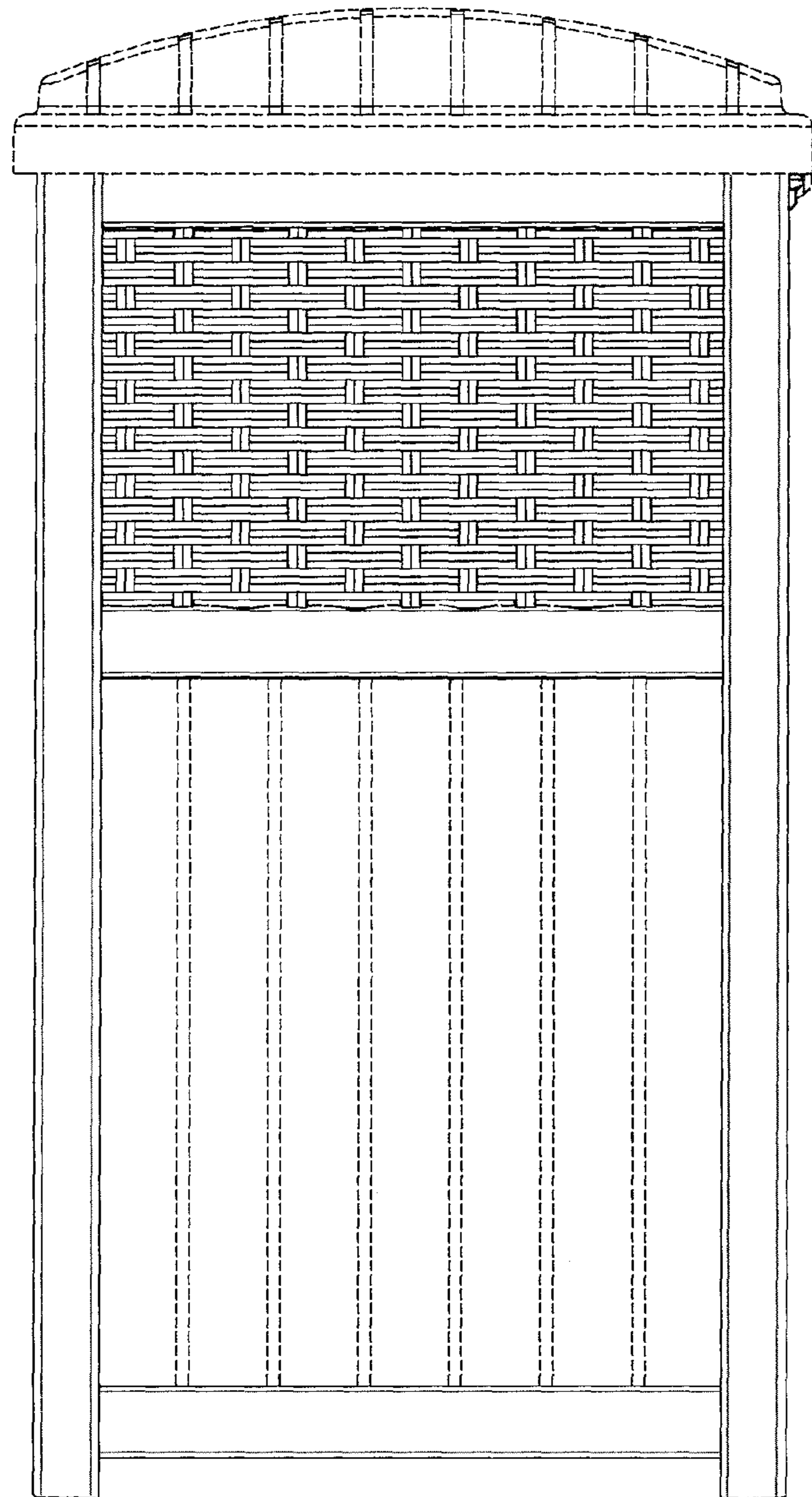


Fig. 4

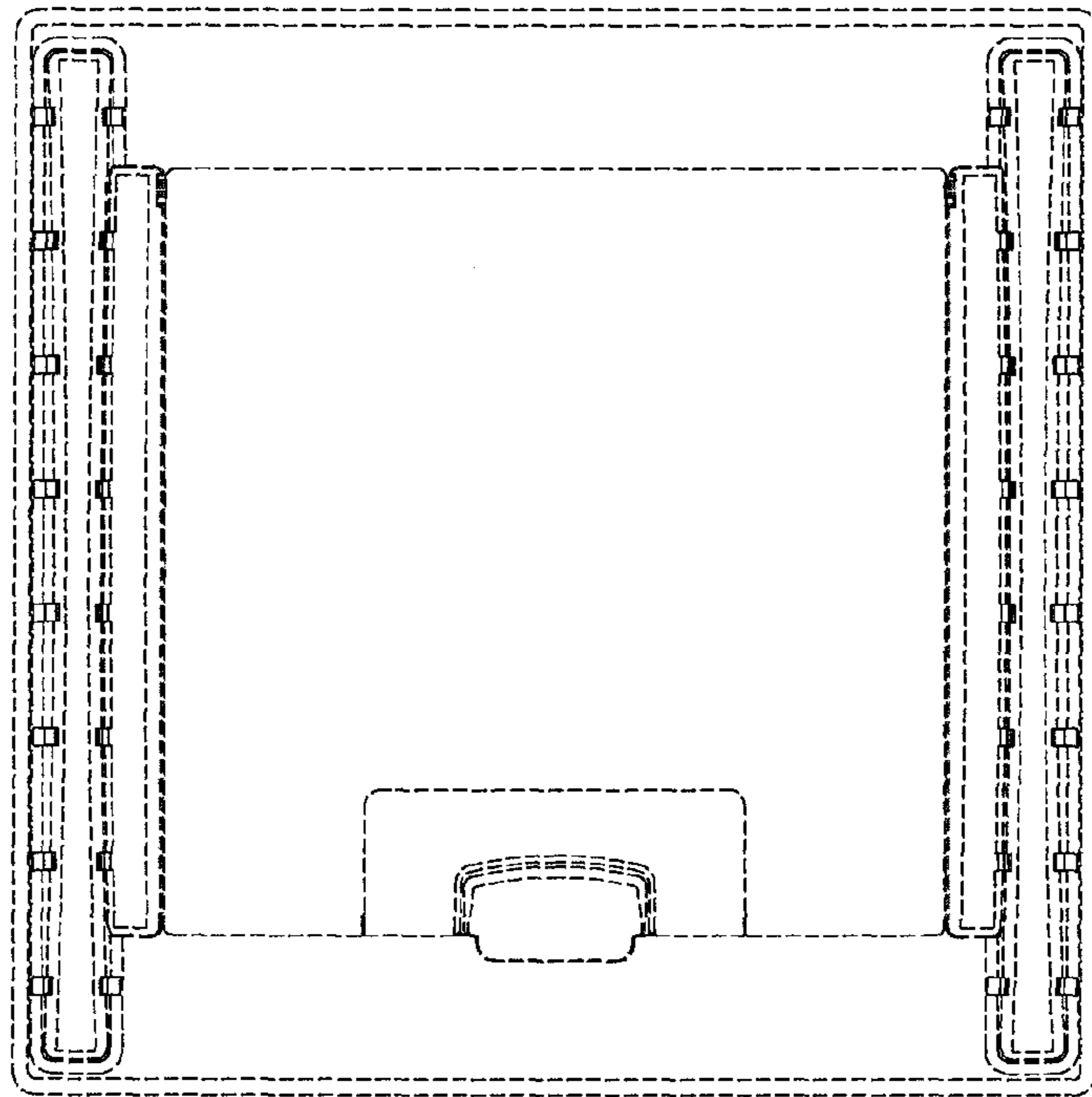


Fig. 5