



US00D644379S

(12) **United States Design Patent**
Vanesse

(10) **Patent No.:** **US D644,379 S**

(45) **Date of Patent:** **** Aug. 30, 2011**

(54) **WIG CAP**

(76) **Inventor:** **Nicole M. Vanesse**, Blackstone, MA
(US)

(**) **Term:** **14 Years**

(21) **Appl. No.:** **29/383,942**

(22) **Filed:** **Jan. 24, 2011**

(51) **LOC (9) Cl.** **28-04**

(52) **U.S. Cl.** **D28/92**

(58) **Field of Classification Search** D28/40,
D28/92, 93; 132/53-56, 201; D2/501, 502,
D2/865, 866, 874, 881

See application file for complete search history.

(56) **References Cited**

U.S. PATENT DOCUMENTS

D32,630 S	5/1900	Wilson	
1,545,881 A *	7/1925	Cohen	132/54
2,128,358 A	12/1937	Glick	
2,661,749 A *	12/1953	Corsillo	132/54
3,265,076 A	8/1966	Ellis	
3,678,942 A *	7/1972	Abbott et al.	132/201
3,777,768 A *	12/1973	Scigliano	132/53
3,812,867 A *	5/1974	Wanderman et al.	132/53
3,834,403 A *	9/1974	Ahn	132/53
3,835,867 A *	9/1974	Molinario	132/201
3,868,959 A *	3/1975	Koh	132/53
3,884,248 A *	5/1975	Mendelson et al.	132/53
3,910,292 A	10/1975	Izzo	
4,386,619 A *	6/1983	Williams	132/53

D357,569 S	4/1995	Jacobellis	
D360,746 S	8/1995	Bowser	
D378,948 S *	4/1997	Ragus	D2/866
5,873,373 A *	2/1999	Narvick	132/54
D485,969 S	2/2004	Wade	
D519,716 S	5/2006	Smith	
D523,213 S	6/2006	Strong	
D539,483 S	3/2007	Arnold	
D605,379 S	12/2009	James	

* cited by examiner

Primary Examiner — Zenia Bennett

(74) *Attorney, Agent, or Firm* — QuickPatents, Inc.; Kevin Prince

(57) **CLAIM**

What is claimed is the ornamental design for a wig cap, as shown and described.

DESCRIPTION

FIG. 1 is a perspective view of a wig cap, showing the new design;

FIG. 2 is an exploded perspective view thereof;

FIG. 3 is a front elevational view thereof;

FIG. 4 is a rear elevational view thereof;

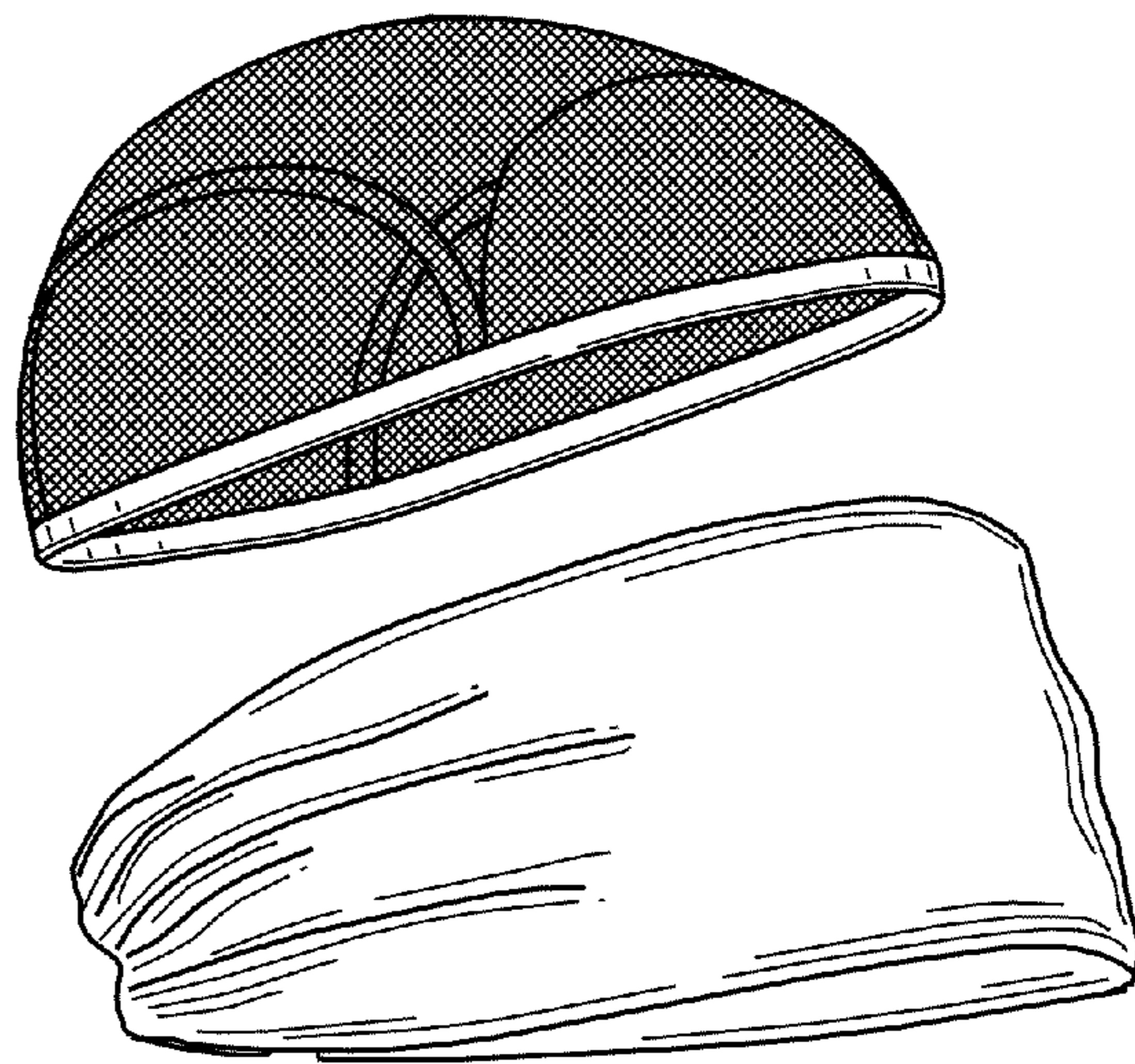
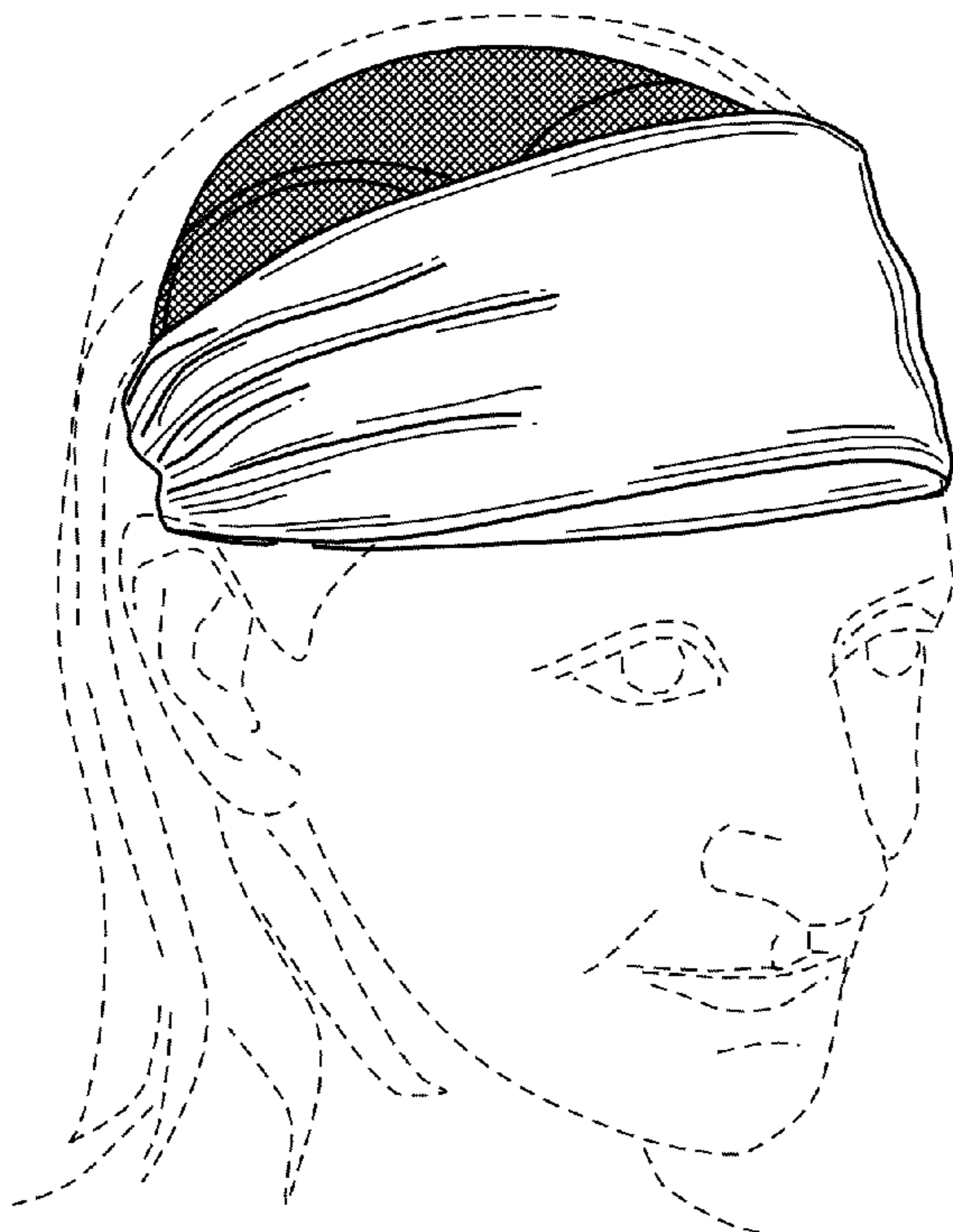
FIG. 5 is a right-side elevational view thereof, the left-side elevational view being a mirror image thereof;

FIG. 6 is a top plan view thereof; and,

FIG. 7 is a bottom plan view thereof.

The broken lines showing a person in FIG. 1 are included for the purpose of illustrating the invention in use, and form no part of the claimed design.

1 Claim, 3 Drawing Sheets



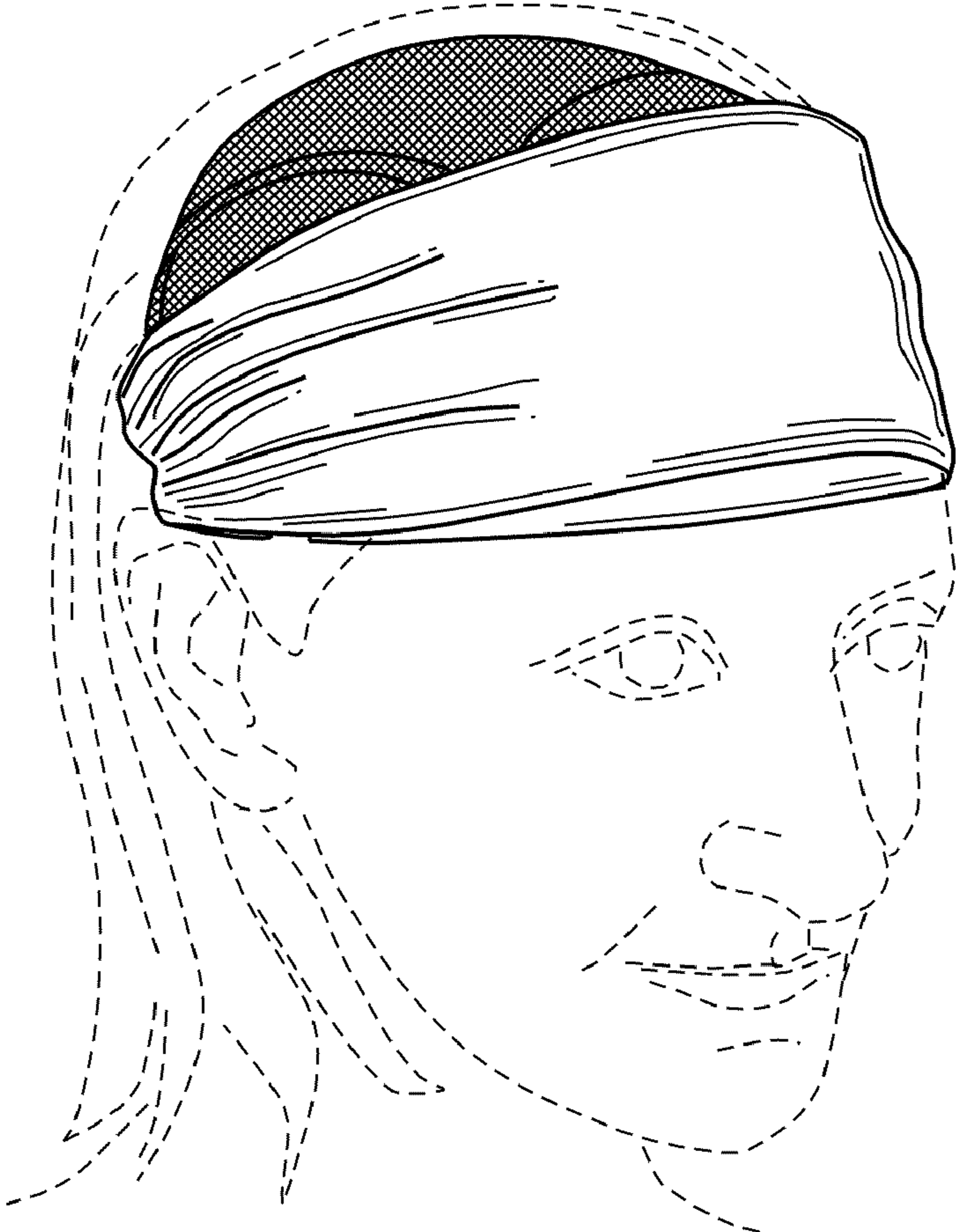


FIG. 1

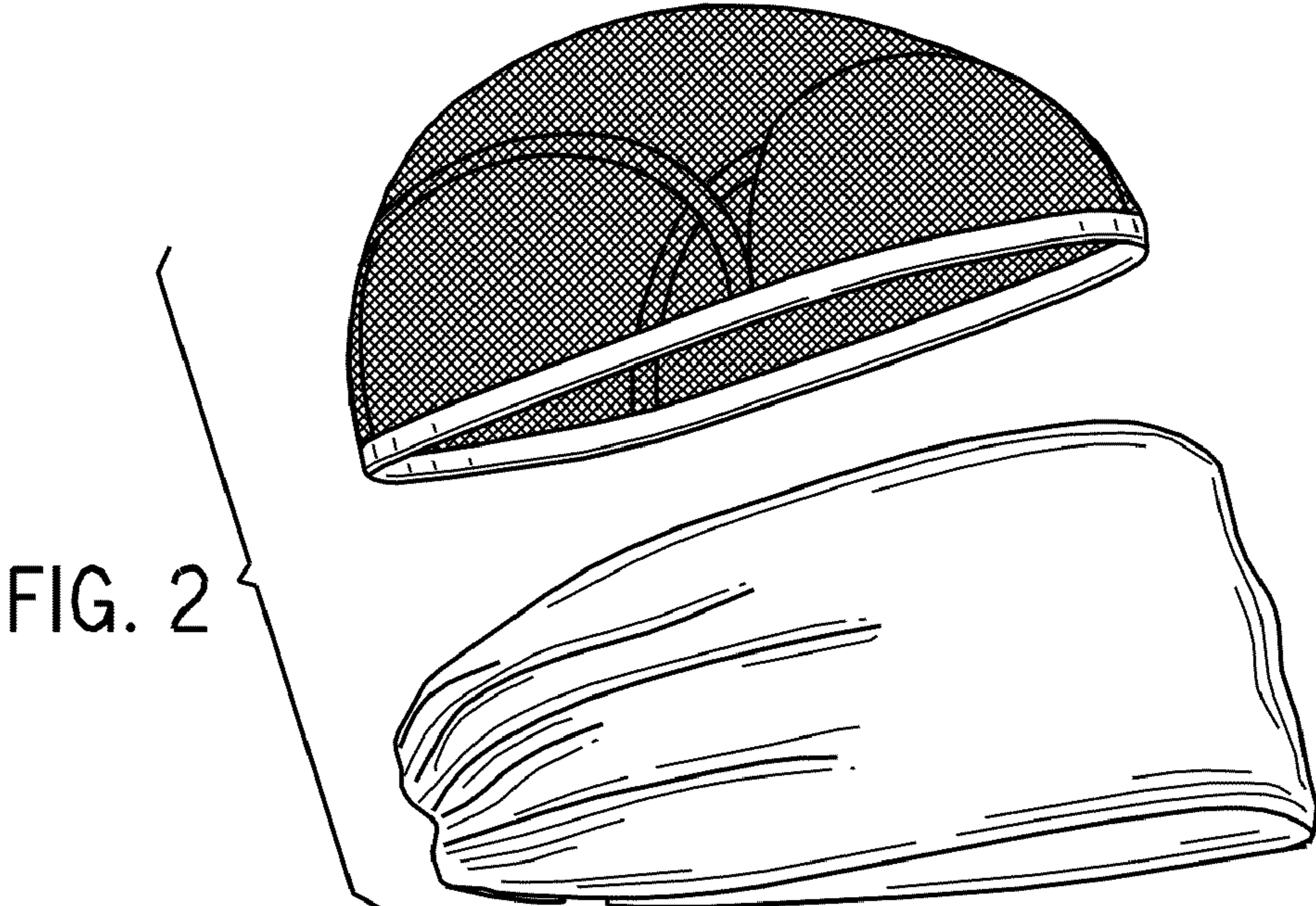


FIG. 2

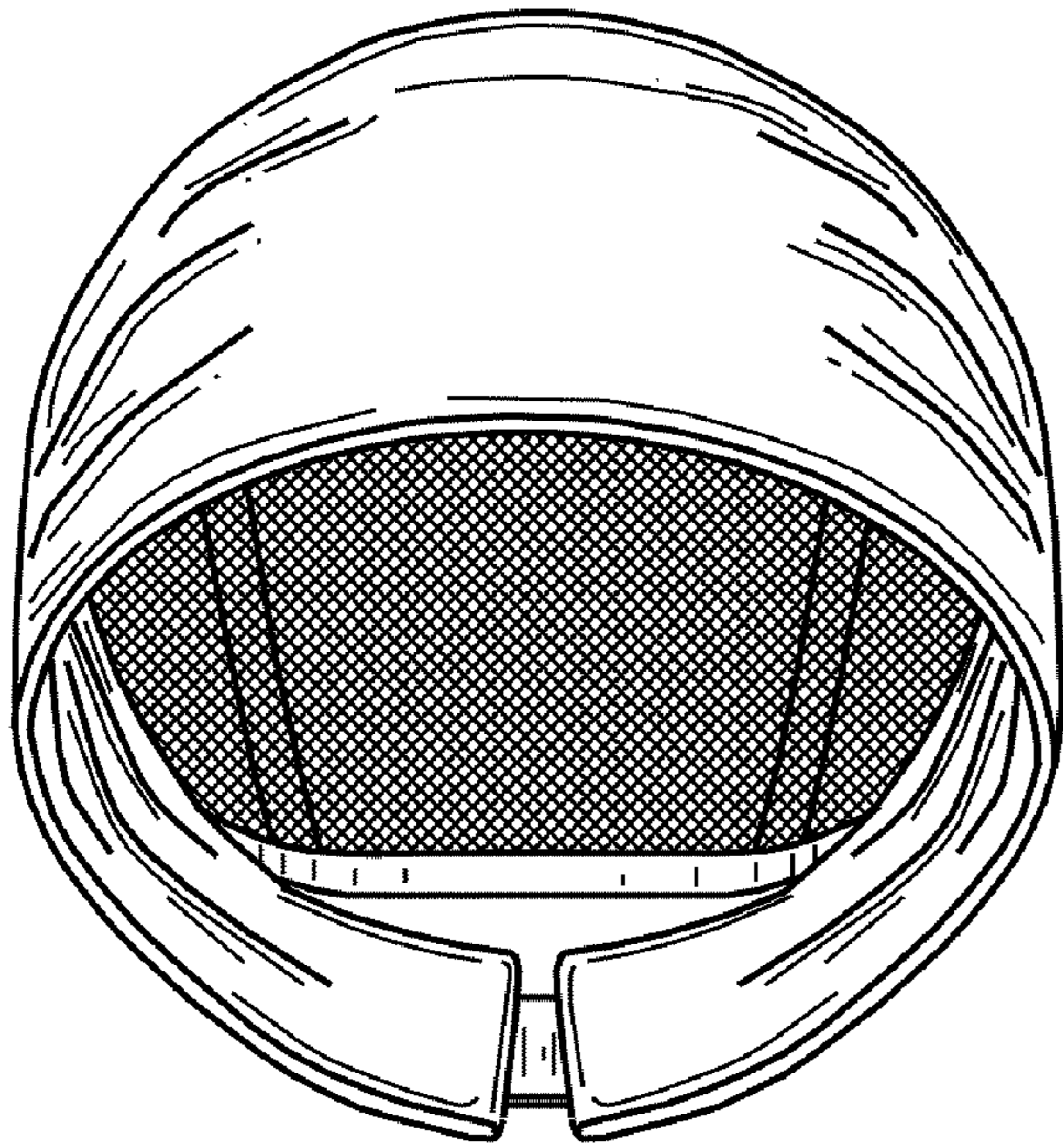


FIG. 3

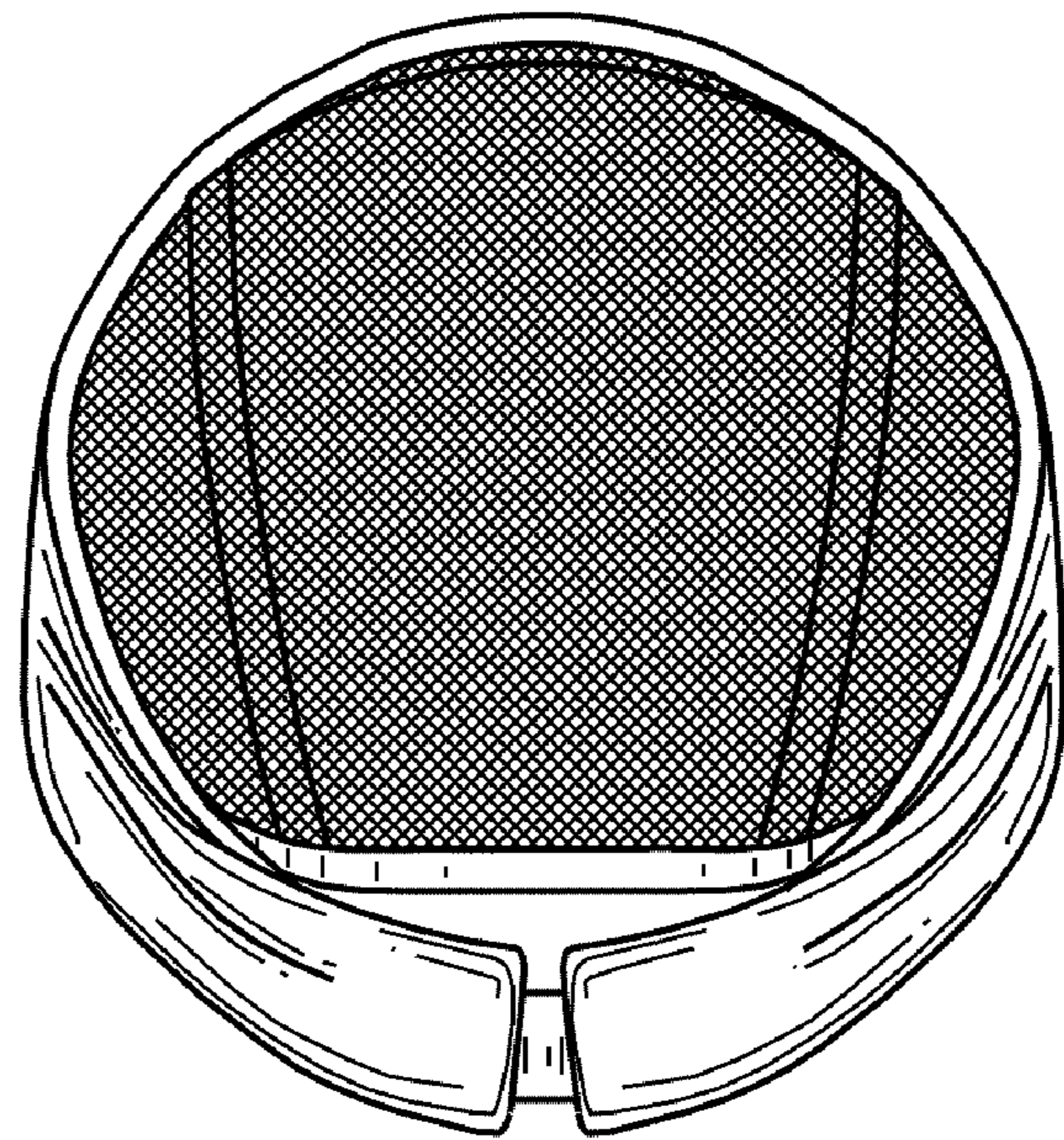


FIG. 4

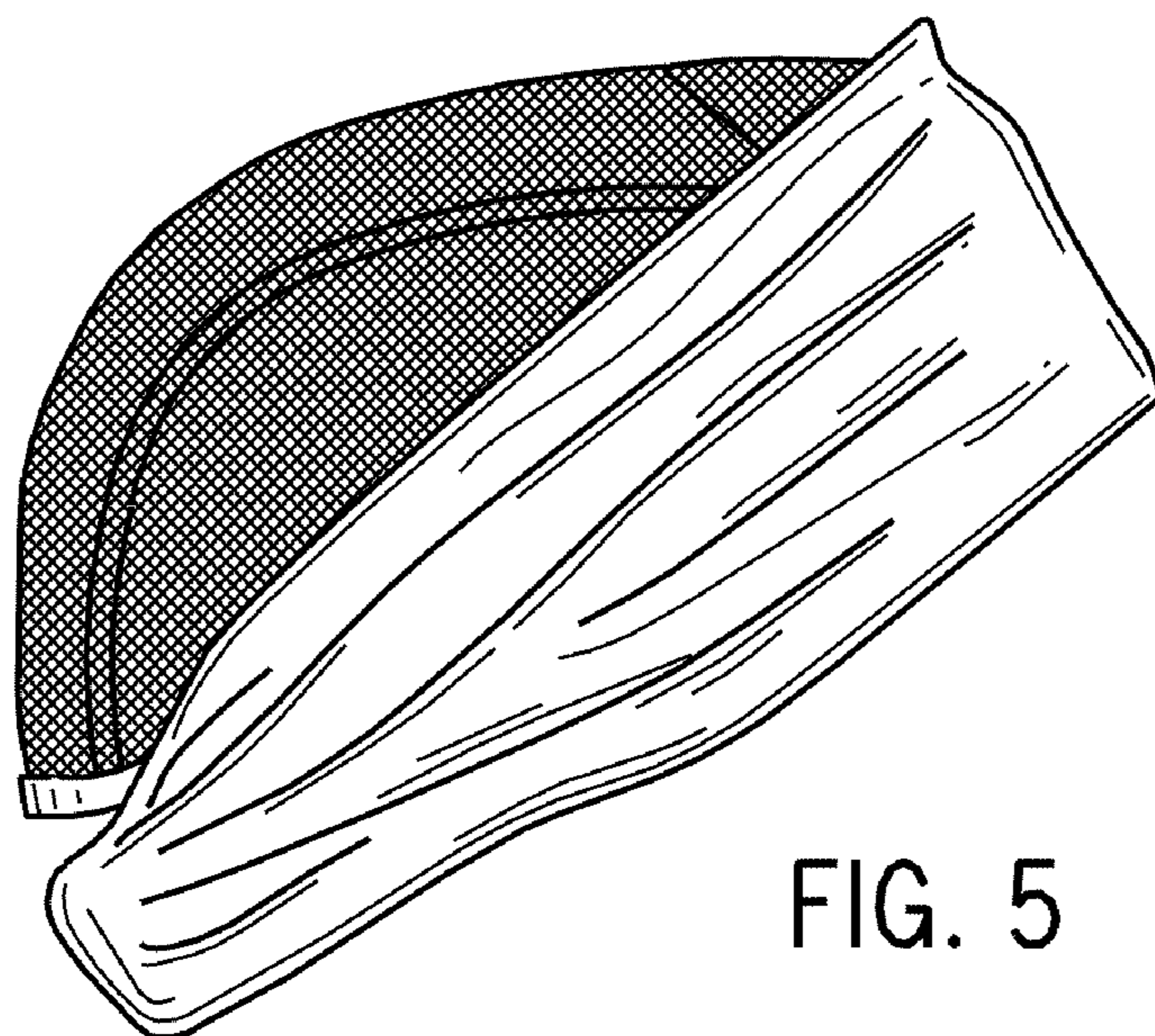


FIG. 5

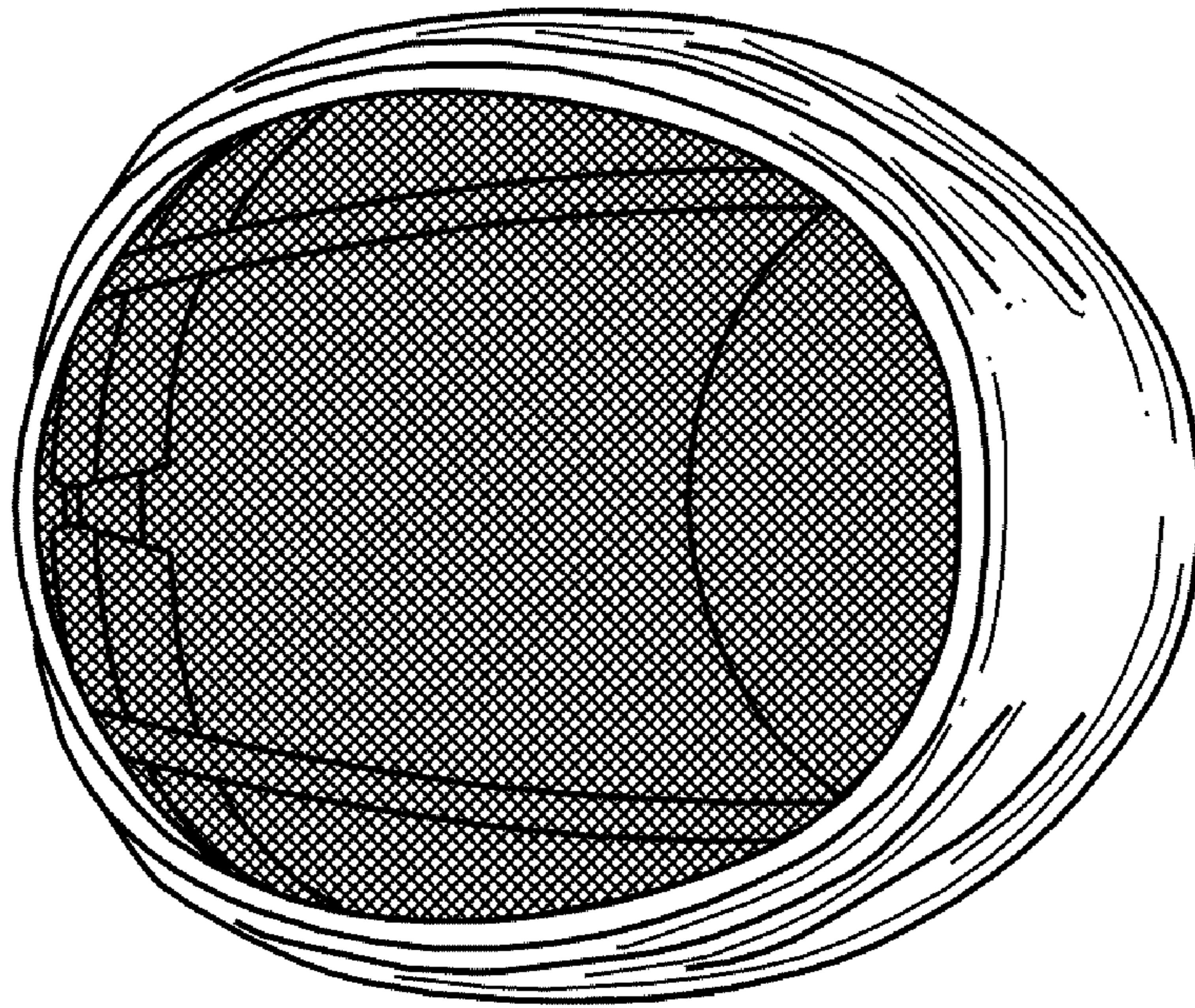


FIG. 6

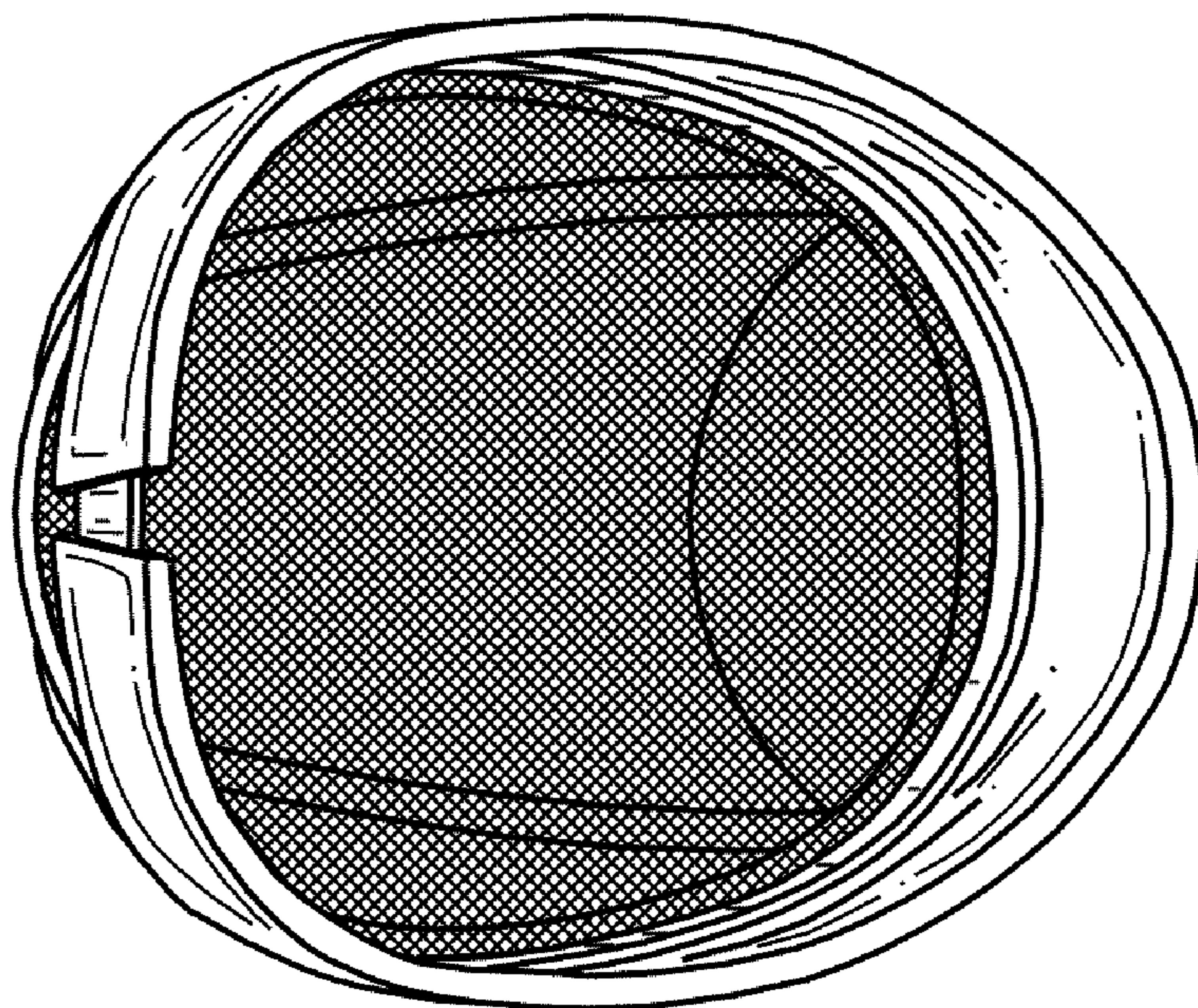


FIG. 7