



US00D644378S

(12) **United States Design Patent**
Mongeon et al.

(10) **Patent No.:** **US D644,378 S**
(45) **Date of Patent:** **** Aug. 30, 2011**

(54) **COSMETIC CONTAINER WITH COLLAR**

(75) Inventors: **Murphy Greene Mongeon**, Baltimore, MD (US); **David Edward Wilson**, Reisterstown, MD (US); **Ian Andrew Carnduff**, New York, NY (US)

(73) Assignee: **The Procter & Gamble Company**, Cincinnati, OH (US)

(**) Term: **14 Years**

(21) Appl. No.: **29/319,839**

(22) Filed: **Jun. 16, 2008**

(51) **LOC (9) Cl.** **28-03**

(52) **U.S. Cl.** **D28/76**

(58) **Field of Classification Search** D4/116, D4/128, 131; D28/7, 76, 77, 88, 89; 132/216, 132/218; D9/552, 565, 502-504, 529; 206/581; 220/672, 675; 401/121, 122, 126, 129

See application file for complete search history.

(56) **References Cited**

U.S. PATENT DOCUMENTS

377,209	A *	1/1888	Osborn	15/434
2,154,812	A *	4/1939	Hauser	220/288
D154,653	S *	8/1949	Becker	D28/7
D185,339	S *	5/1959	Wolff	D28/89
3,132,743	A *	5/1964	Wolff	401/65

3,432,069	A *	3/1969	Craig	220/288
D272,952	S *	3/1984	Holloway	D28/89
D304,095	S *	10/1989	Gavin	D28/7
D306,967	S *	4/1990	Matsuura et al.	D9/502
5,061,103	A *	10/1991	Walsh-Smith	401/122
5,172,992	A *	12/1992	Ackermann	401/4
5,407,093	A *	4/1995	McGill	220/666
D383,980	S *	9/1997	Abfier et al.	D9/502
D409,800	S *	5/1999	Litton	D28/77
D420,767	S *	2/2000	Coates et al.	D28/76
D530,857	S *	10/2006	Black	D28/7
D548,973	S *	8/2007	Dawson et al.	D3/302
2008/0236607	A1 *	10/2008	Lee et al.	132/218

* cited by examiner

Primary Examiner — Melanie H Tung

Assistant Examiner — Lavone D Tabor

(74) *Attorney, Agent, or Firm* — John G. Powell; Megan C. Hymore

(57) **CLAIM**

The ornamental design for a cosmetic container with collar, as shown and described.

DESCRIPTION

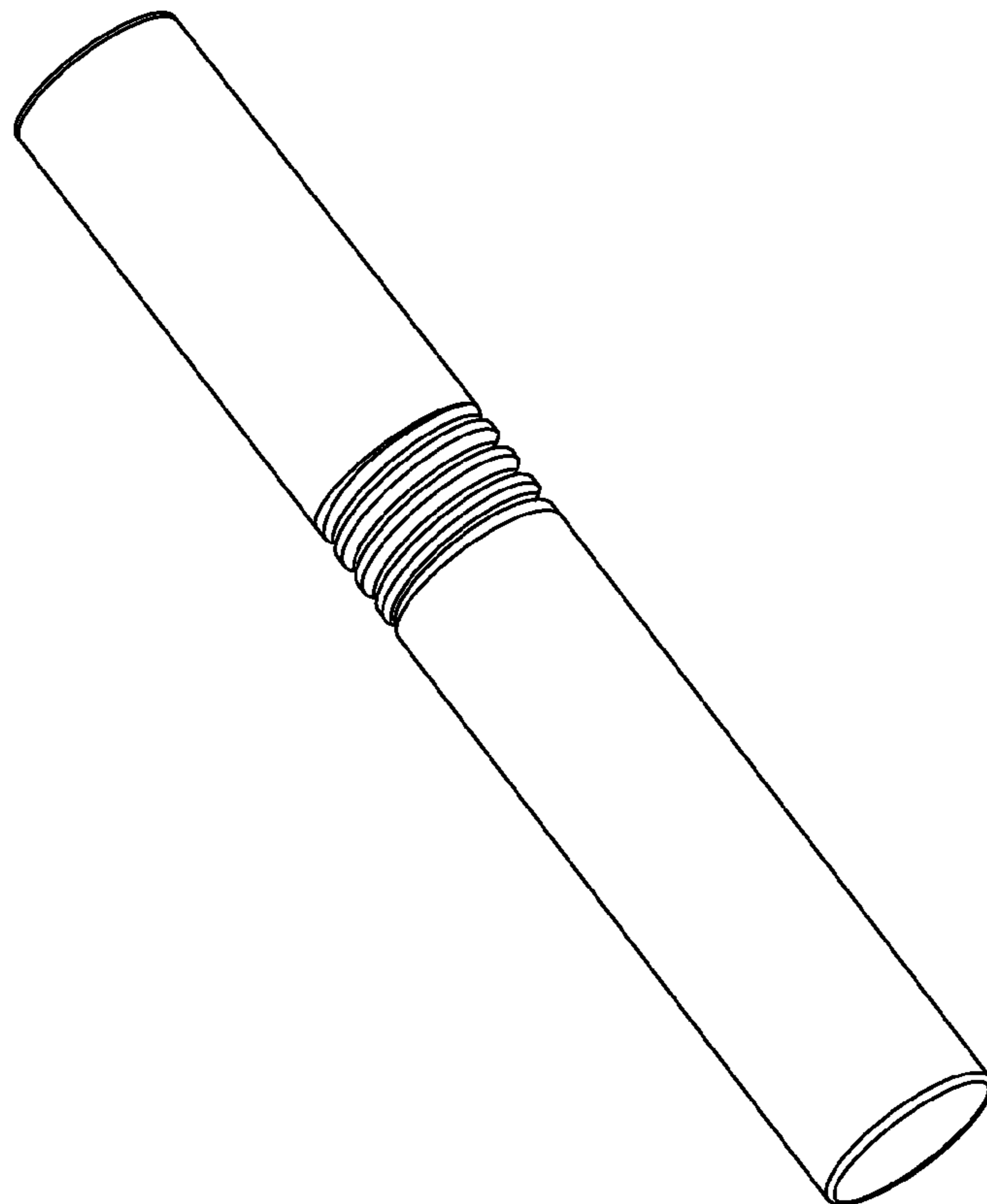
FIG. 1 is a perspective front view of a cosmetic container with collar, embodying the new design;

FIG. 2 is a side view of the design shown in FIG. 1;

FIG. 3 is a top view of the design shown in FIG. 1; and,

FIG. 4 is a bottom view of the design shown in FIG. 1.

1 Claim, 3 Drawing Sheets



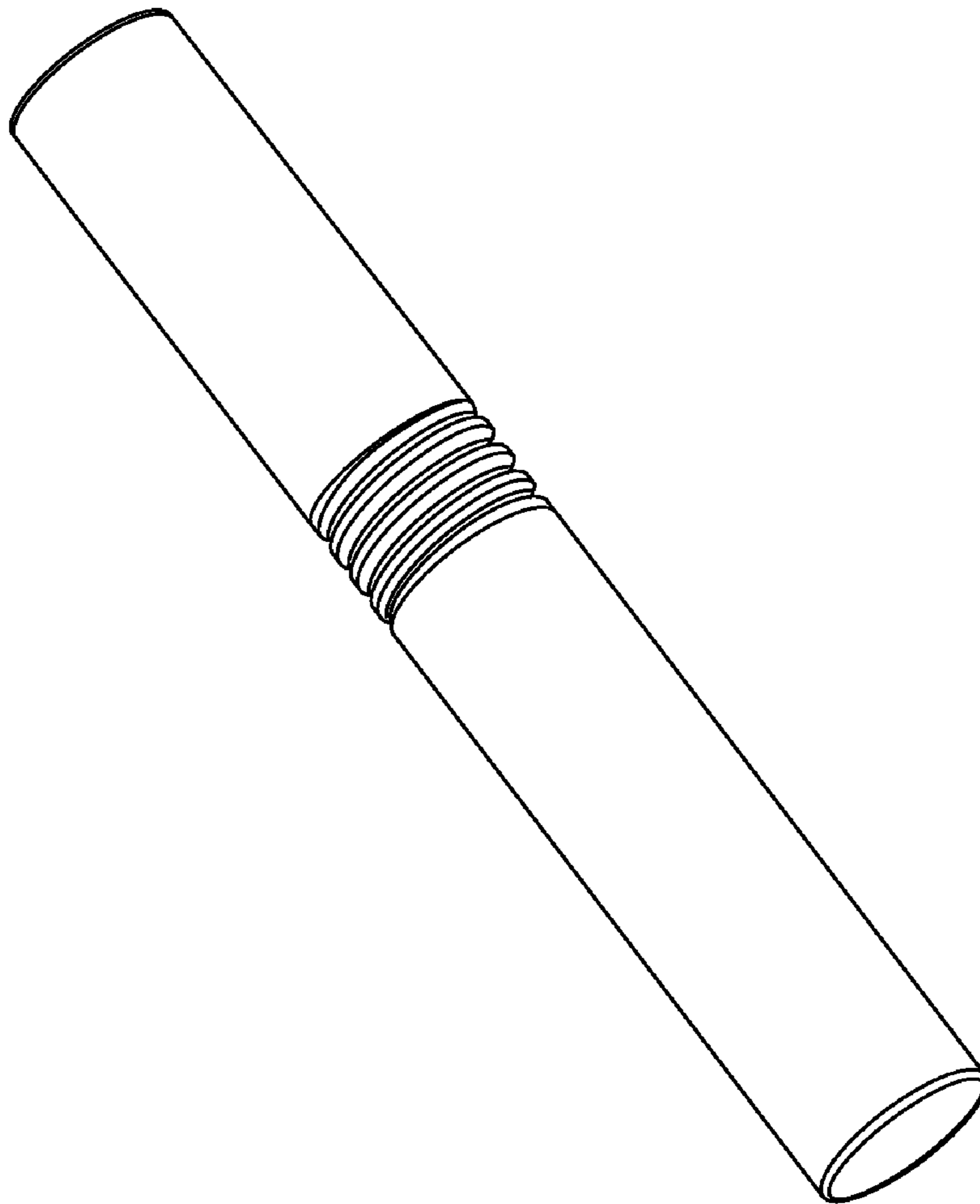


Fig. 1

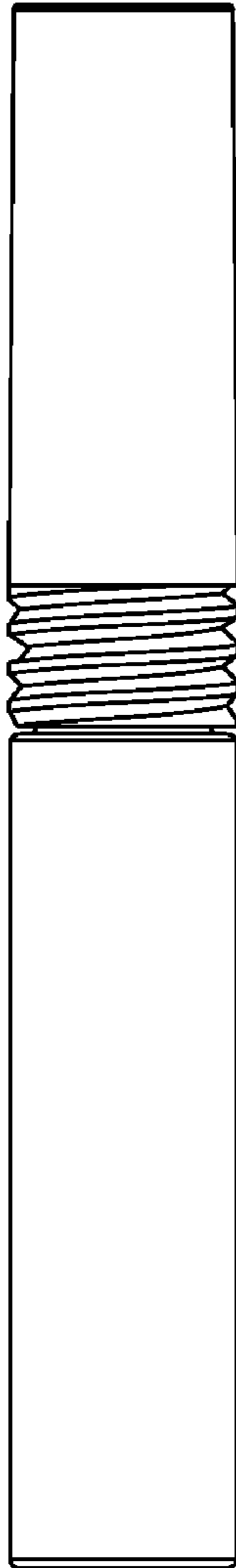


Fig. 2

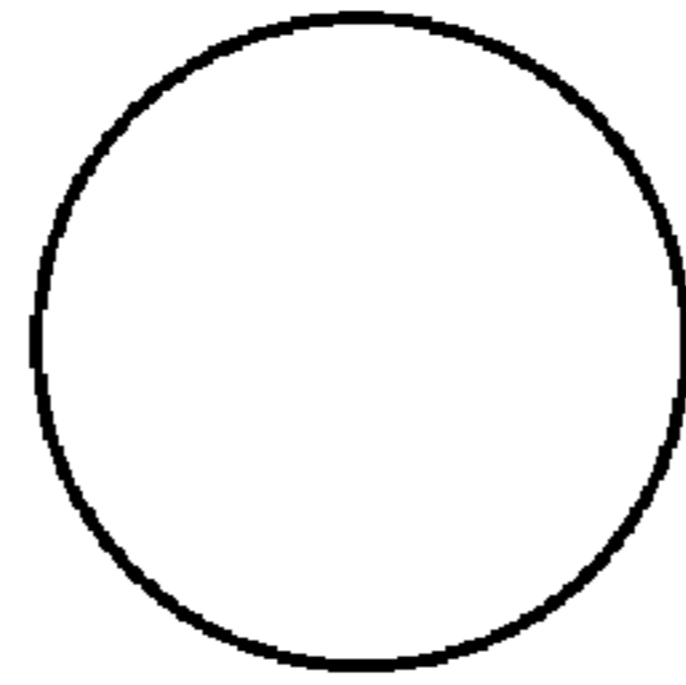


Fig. 3

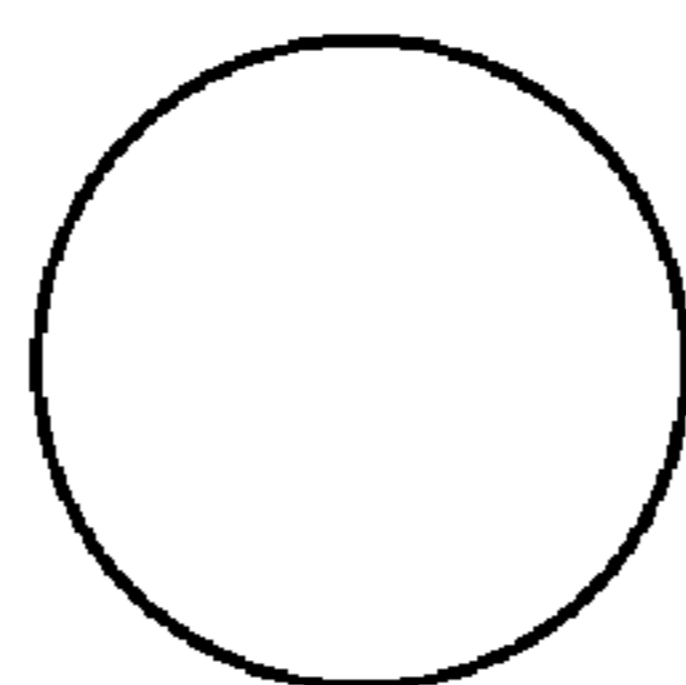


Fig. 4