



US00D644375S

(12) **United States Design Patent**
Zhou

(10) **Patent No.:** **US D644,375 S**
(45) **Date of Patent:** **** Aug. 30, 2011**

(54) **ELECTRONIC CIGARETTE**

(76) Inventor: **Xuewu Zhou**, Shenzhen (CN)

(**) Term: **14 Years**

(21) Appl. No.: **29/390,877**

(22) Filed: **Apr. 29, 2011**

(30) **Foreign Application Priority Data**

Nov. 2, 2010 (CN) 2010 3 0588530

(51) **LOC (9) Cl.** **27-01**

(52) **U.S. Cl.** **D27/101**

(58) **Field of Classification Search** D27/101,
D27/162, 53, 173, 196, 183, 192, 187, 138,
D27/135, 186; D8/388, 105, 395, 72; 131/198.1,
131/198.2, 336, 270, 348, 173, 273, 256,
131/257, 259, 174, 246, 243; D9/780, 504,
D9/772; 206/242

See application file for complete search history.

(56) **References Cited**

U.S. PATENT DOCUMENTS

2,823,680 A * 2/1958 Busby 131/198.2
3,365,102 A * 1/1968 Castleberry 222/83.5

3,674,037 A * 7/1972 Fortune 131/198.2
4,328,795 A * 5/1982 Cabaniss, III 131/180
4,682,611 A * 7/1987 Chiu-Rong 131/256
5,042,510 A * 8/1991 Curtiss et al. 131/273
5,687,745 A * 11/1997 Yalcin 131/173
6,098,632 A * 8/2000 Turner et al. 131/270
6,216,705 B1 * 4/2001 Ossepian 131/273
6,606,998 B1 * 8/2003 Gold 131/273
D590,989 S * 4/2009 Hon D27/101
2009/0258326 A1 * 10/2009 Al-Sulaiman et al. 433/163

* cited by examiner

Primary Examiner — Cathron Brooks

Assistant Examiner — Kevin Rudzinski

(74) *Attorney, Agent, or Firm* — Garcia-Zamor IP Law; Ruy M. Garcia-Zamor

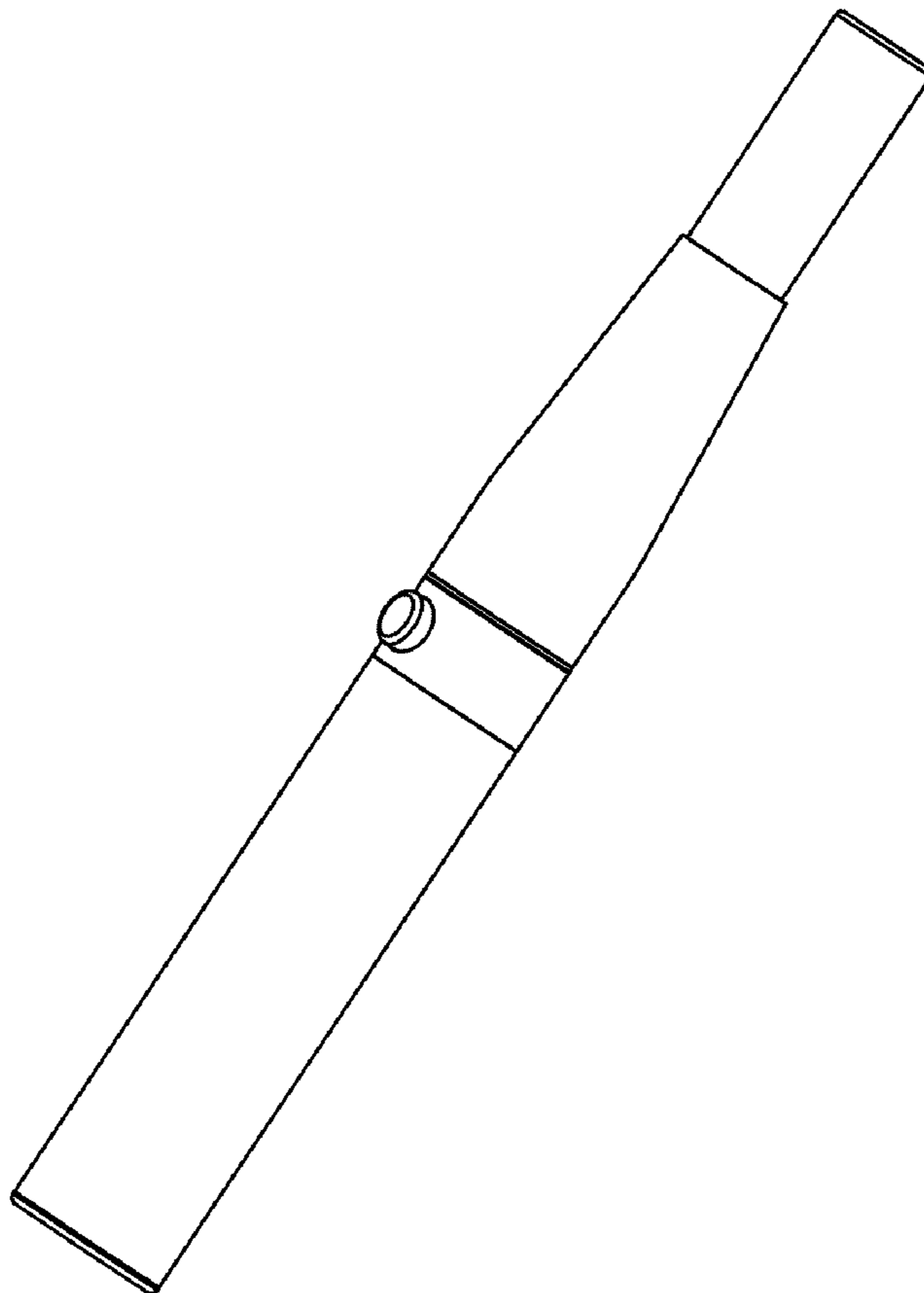
(57) **CLAIM**

I claim a new ornamental design for an electronic cigarette, as shown and described.

DESCRIPTION

FIG. 1 is a perspective view of the electronic cigarette;
FIG. 2 is a front view of FIG. 1;
FIG. 3 is a rear view of FIG. 1;
FIG. 4 is a left view of FIG. 1;
FIG. 5 is a right view of FIG. 1;
FIG. 6 is a top plan view of FIG. 1; and,
FIG. 7 is a bottom plan view of FIG. 1.

1 Claim, 6 Drawing Sheets



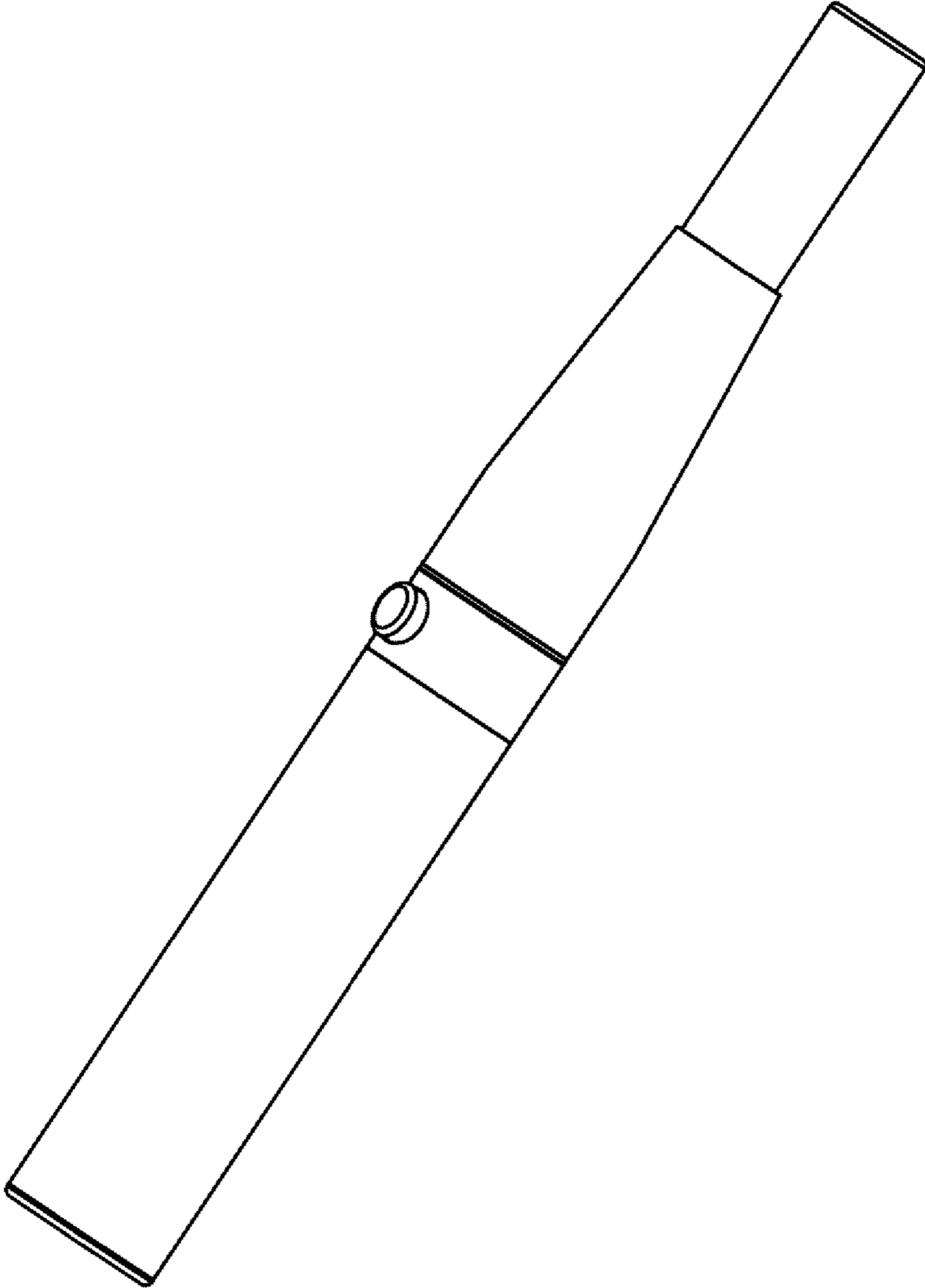


FIG. 1

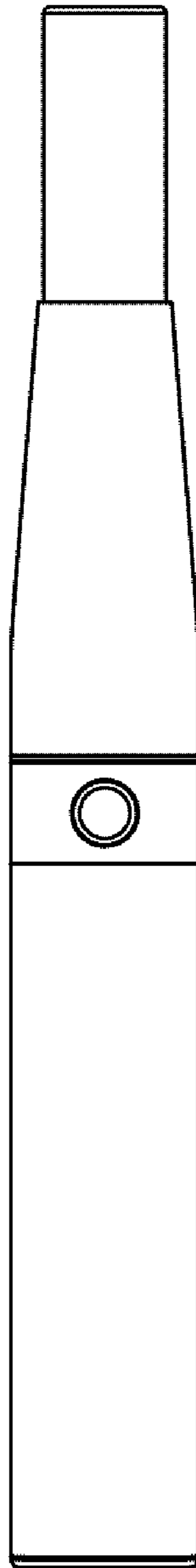


FIG. 2

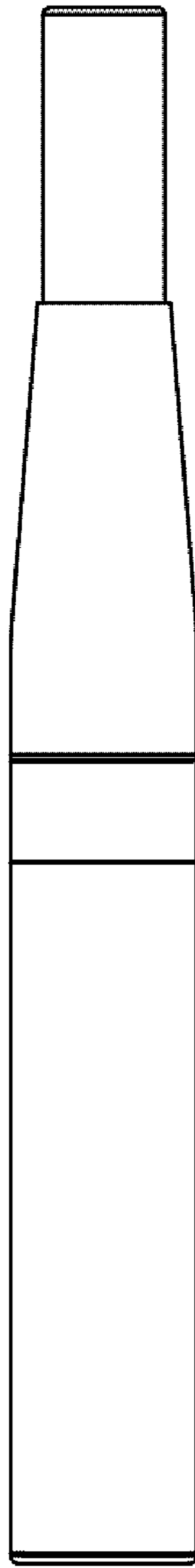


FIG. 3

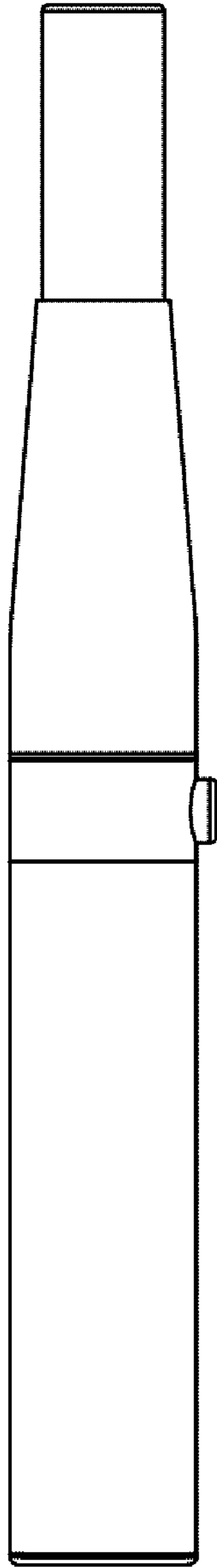


FIG. 4

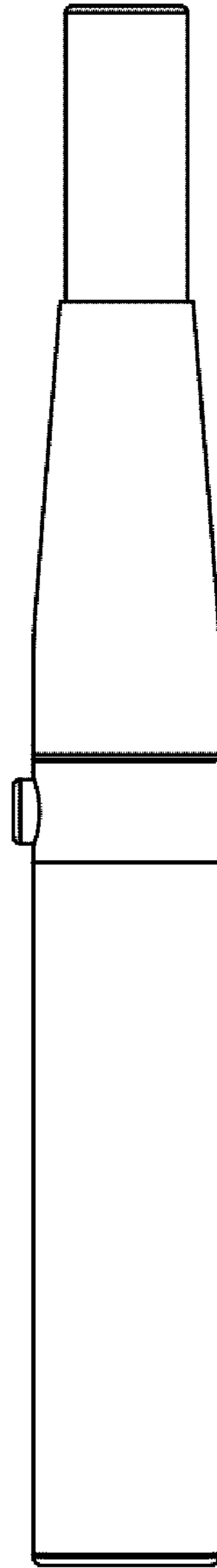


FIG. 5

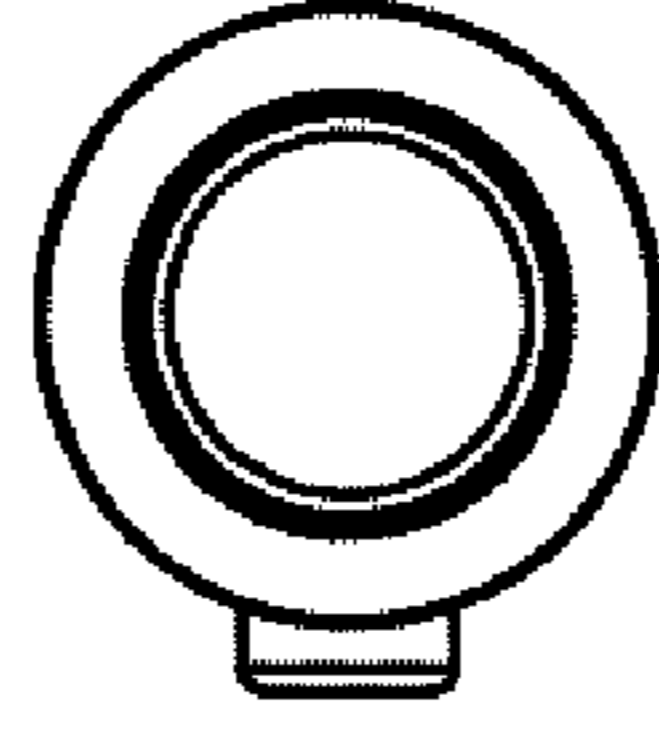


FIG. 6

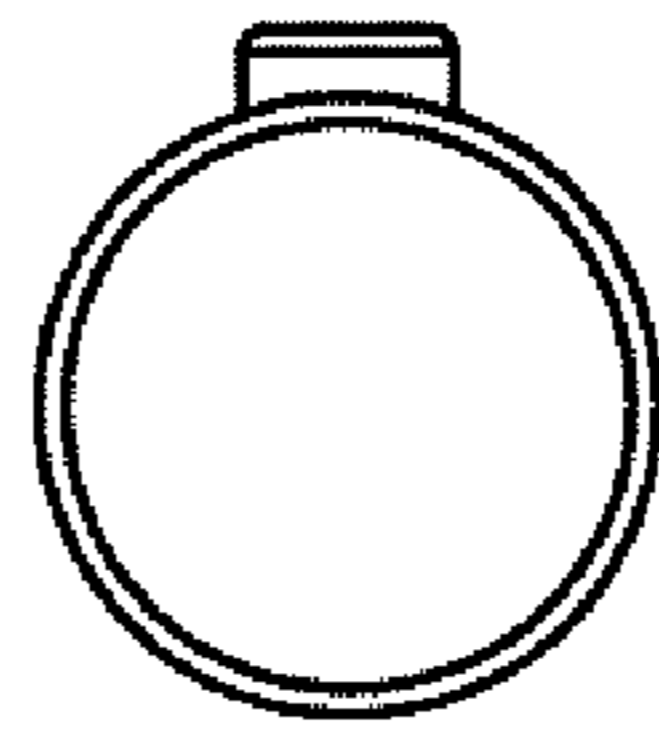


FIG. 7