



US00D644374S

(12) **United States Design Patent**
Ferrier

(10) **Patent No.:** **US D644,374 S**
(45) **Date of Patent:** **** Aug. 30, 2011**

(54) **LENS OF A RECESSED LIGHTING FIXTURE**

(75) Inventor: **David Ferrier**, Denver, CO (US)

(73) Assignee: **Pinnacle Architectural Lighting, Inc.**,
Denver, CO (US)

(**) Term: **14 Years**

(21) Appl. No.: **29/341,517**

(22) Filed: **Aug. 6, 2009**

(51) **LOC (9) Cl.** **26-99**

(52) **U.S. Cl.** **D26/118**

(58) **Field of Classification Search** D26/122,
D26/138, 118, 120, 76, 80, 63, 62, 68, 121,
D26/155, 152, 2, 24, 25, 26, 28, 46, 47, 49,
D26/60, 67, 71, 72, 73, 78, 79, 81, 83, 85,
D26/88, 93, 101, 102, 103, 104, 105, 110,
D26/113, 119, 123, 124, 128, 127, 129, 130,
D26/135, 137, 154, 86, 90, 140, 142, 145;
362/362, 363, 326, 329, 330, 342, 351, 356,
362/357, 296, 297, 299, 300, 301, 302, 317,
362/325, 377, 121, 147, 148, 151, 171, 186,
362/218, 219, 648, 650, 257, 279, 280, 290,
362/292, 293; D13/179, 180

See application file for complete search history.

(56) **References Cited**

U.S. PATENT DOCUMENTS

2,428,827 A * 10/1947 Beck 362/219
(Continued)

Primary Examiner — Cathron Brooks

Assistant Examiner — Kevin Rudzinski

(74) *Attorney, Agent, or Firm* — Sheridan Ross P.C.

(57) **CLAIM**

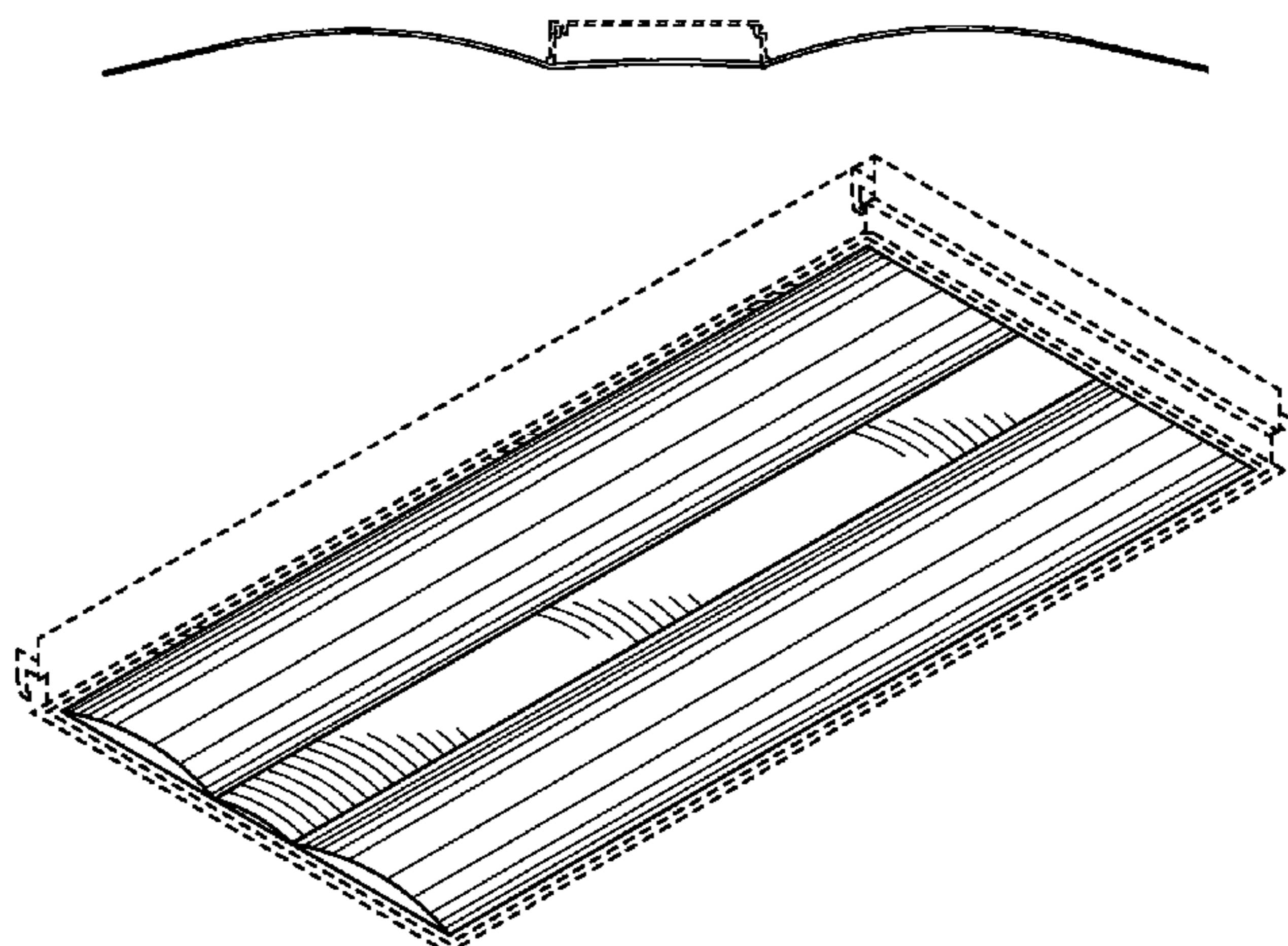
The ornamental design for a lens of a recessed lighting fixture, as shown and described.

DESCRIPTION

FIG. 1 is a bottom perspective view of a lens of a recessed lighting fixture showing the new design;
FIG. 2 is a top perspective view thereof;

FIG. 3 is a top plan view thereof;
FIG. 4 is a bottom plan view thereof;
FIG. 5 is a front elevation view thereof, the rear elevation view being a mirror image thereof;
FIG. 6 is a left elevation view thereof, the right elevation view being a mirror image thereof;
FIG. 7 is a perspective view of a second embodiment of a lens of a recessed lighting fixture, shown separately from the lighting fixture for ease of understanding, and in which the only difference is the aspect ratio;
FIG. 8 is an enlarged front elevation view thereof;
FIG. 9 is a top perspective view of the thereof, shown in a lighting fixture;
FIG. 10 is a bottom perspective view thereof, shown in a lighting fixture;
FIG. 11 is a top perspective view thereof;
FIG. 12 is a top plan view thereof;
FIG. 13 is a bottom plan view thereof;
FIG. 14 is a front elevation view thereof, the rear elevation view being a mirror image thereof;
FIG. 15 is a left elevation view thereof, the right elevation view being a mirror image thereof;
FIG. 16 is a perspective view of a third embodiment of a lens of a recessed lighting fixture shown separately from the lighting fixture for ease of understanding, and in which the only difference is the aspect ratio;
FIG. 17 is a front elevation view thereof;
FIG. 18 is a top perspective view of the lens of a recessed lighting fixture shown in a lighting fixture;
FIG. 19 is a bottom perspective view of a fourth embodiment of the lens of a recessed lighting fixture shown in a lighting fixture, the only difference being the aspect ratio;
FIG. 20 is a top perspective view thereof;
FIG. 21 is a top plan view thereof;
FIG. 22 is a bottom plan view thereof;
FIG. 23 is a front elevation view thereof, the rear elevation view being a mirror image thereof;
FIG. 24 is a left elevation view thereof, the right elevation view being a mirror image thereof;
FIG. 25 is a perspective view of a lens of a recessed lighting fixture shown in the fourth embodiment, and shown removed from the lighting fixture;
FIG. 26 is an enlarged front elevation view thereof; and,
FIG. 27 is a top perspective view thereof, shown in a lighting fixture.
The broken line illustration of the lighting fixture shown in FIGS. 1-27 illustrates environmental structure and forms no part of the claimed design.

1 Claim, 9 Drawing Sheets



US D644,374 S

U.S. PATENT DOCUMENTS

2,526,074	A *	10/1950	Guth	362/224	D426,338	S	6/2000	Herst et al.	
D190,596	S *	6/1961	Franck et al.	D26/76	D428,516	S	7/2000	Reo et al.	
D195,012	S	4/1963	Hoyle		D430,688	S	9/2000	Plunk	
3,209,142	A *	9/1965	Michel et al.	362/236	D435,310	S	12/2000	Herst et al.	
3,270,194	A *	8/1966	Pui	362/218	D437,077	S	1/2001	Minissi et al.	
D212,899	S	12/1968	Vesely et al.		D437,446	S	2/2001	Reo et al.	
D215,340	S	9/1969	Wince		6,210,025	B1	4/2001	Schmidt et al.	
D284,110	S	6/1986	Mullins		D441,891	S	5/2001	Herst et al.	
D285,357	S	8/1986	Prichett		D459,519	S	6/2002	Russello et al.	
4,622,624	A *	11/1986	McCarthy et al.	362/217.02	D460,575	S	7/2002	Tergny et al.	
D287,888	S	1/1987	Castor et al.		D464,162	S	10/2002	Segretto	
D292,322	S *	10/1987	Krol	D26/75	D466,244	S *	11/2002	Lewis et al.	D26/76
D300,873	S	4/1989	Thompson et al.		6,523,974	B2	2/2003	Engel	
D300,874	S	4/1989	Szymanek		D477,891	S	7/2003	Fritze et al.	
D303,434	S	9/1989	Ewing et al.		D481,820	S	11/2003	Watt	
D307,059	S	4/1990	Szymanek		D483,510	S	12/2003	Fritze et al.	
4,980,808	A *	12/1990	Lilos	362/219	D485,932	S	1/2004	Crane	
D320,283	S *	9/1991	Burkarth	D26/121	D490,927	S	6/2004	Keller	
D330,268	S	10/1992	Jaksich		D494,700	S	8/2004	Hartman et al.	
D331,119	S	11/1992	Hagebo		D496,121	S	9/2004	Santoro	
D341,439	S	11/1993	Herst et al.		D497,217	S	10/2004	Thornton, Jr. et al.	
D344,362	S	2/1994	Engle		D509,616	S	9/2005	Hetfield	
D344,363	S	2/1994	Engle		D520,173	S	5/2006	Plunk	
D344,364	S	2/1994	Engle		D545,482	S	6/2007	Mayfield, III	
D348,533	S *	7/1994	Herst et al.	D26/85	D545,483	S	6/2007	Mayfield, III	
D348,947	S	7/1994	Holcomb		D545,991	S *	7/2007	Mayfield et al.	D26/118
D351,039	S	9/1994	Cole, Jr.		D545,993	S	7/2007	Mayfield, III	
D351,481	S	10/1994	Cole, Jr.		D553,781	S *	10/2007	Pickard et al.	D26/74
D360,270	S	7/1995	Shemitz		D556,358	S	11/2007	Santoro	
D365,409	S	12/1995	Lu		D561,930	S	2/2008	Hukle et al.	
D374,301	S	10/1996	Kleffman		D561,931	S	2/2008	Hukle et al.	
D385,379	S	10/1997	Tillotson		D563,020	S	2/2008	Campagna	
D386,278	S	11/1997	Engle et al.		D564,493	S	3/2008	Tejima	
D386,804	S	11/1997	Engel		D564,694	S	3/2008	Southern, Jr.	
D395,727	S	6/1998	Thorton, Jr.		D568,517	S	5/2008	Redfern et al.	
D397,486	S	8/1998	Engle et al.		D568,522	S	5/2008	Engel	
D397,819	S	9/1998	Thorton, Jr.		D569,025	S	5/2008	Hakamada	
D399,329	S	10/1998	Compton et al.		D572,858	S	7/2008	Santoro	
D399,586	S	10/1998	Ranieri et al.		D579,598	S *	10/2008	Santoro	D26/76
D399,587	S	10/1998	Compton et al.		D587,834	S *	3/2009	Moritz	D26/76
D399,588	S *	10/1998	St. Ives	D26/76	D608,932	S *	1/2010	Castelli	D26/76
D401,375	S	11/1998	Wolber et al.		D609,385	S *	2/2010	Castelli	D26/76
D407,473	S	3/1999	Wimbock		D609,386	S *	2/2010	Castelli	D26/76
D411,325	S	6/1999	Roorda		D611,183	S *	3/2010	Duarte	D26/76
D413,402	S	8/1999	Ranieri et al.		2006/0023450	A1 *	2/2006	Chung et al.	362/246
D415,304	S	10/1999	Brown						

* cited by examiner

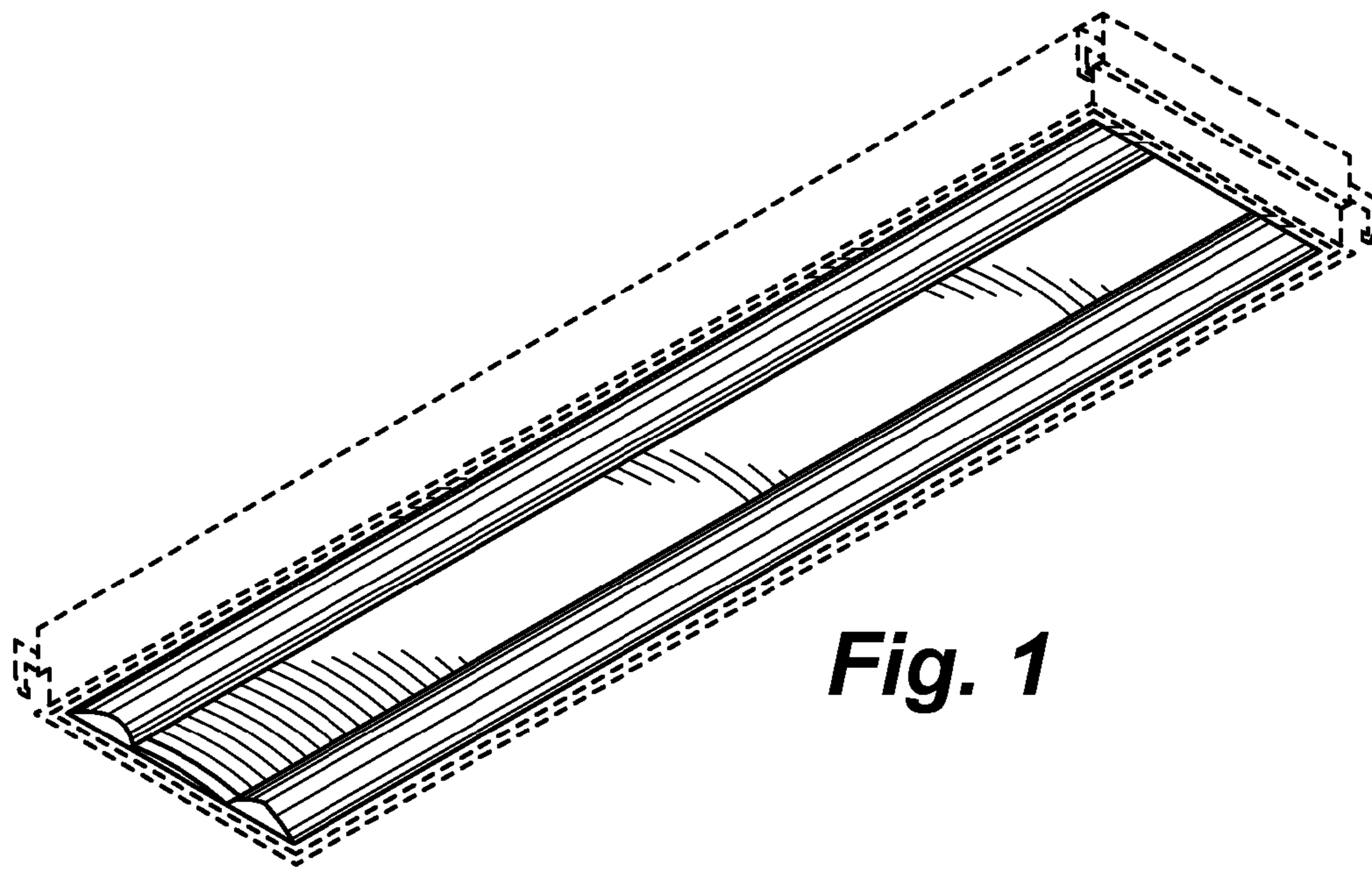


Fig. 1

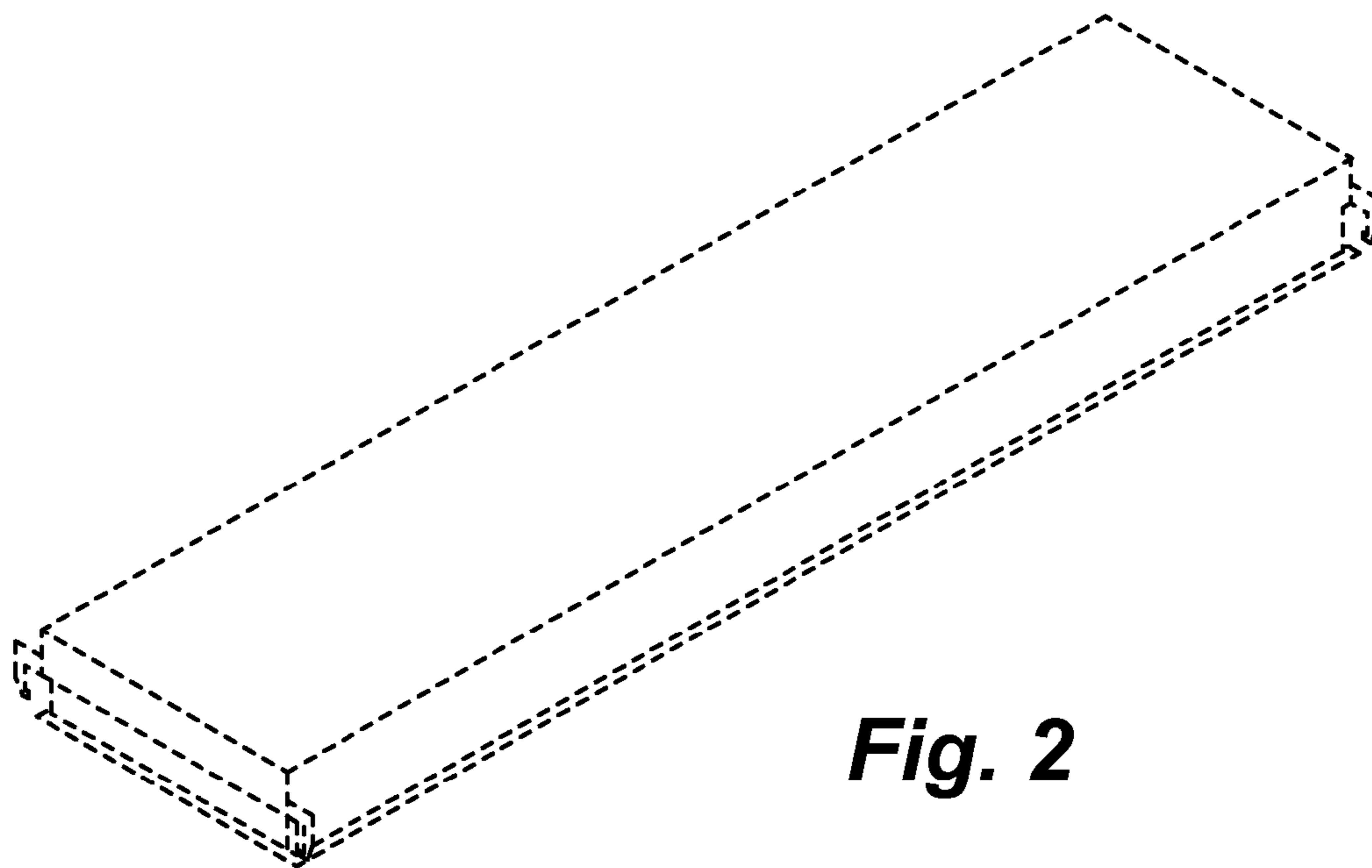


Fig. 2

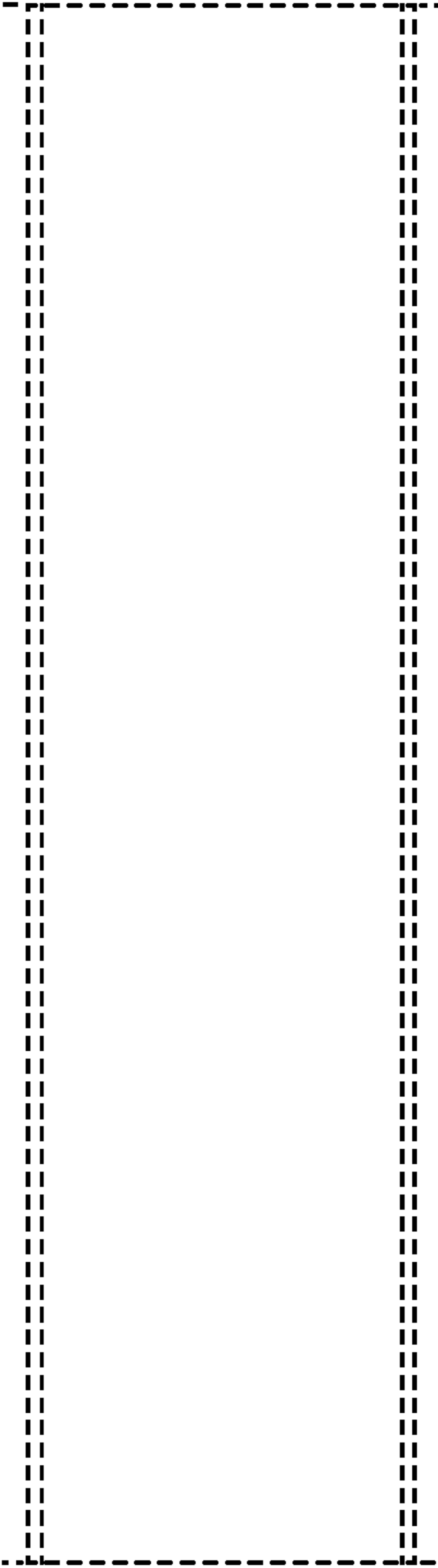


Fig. 3

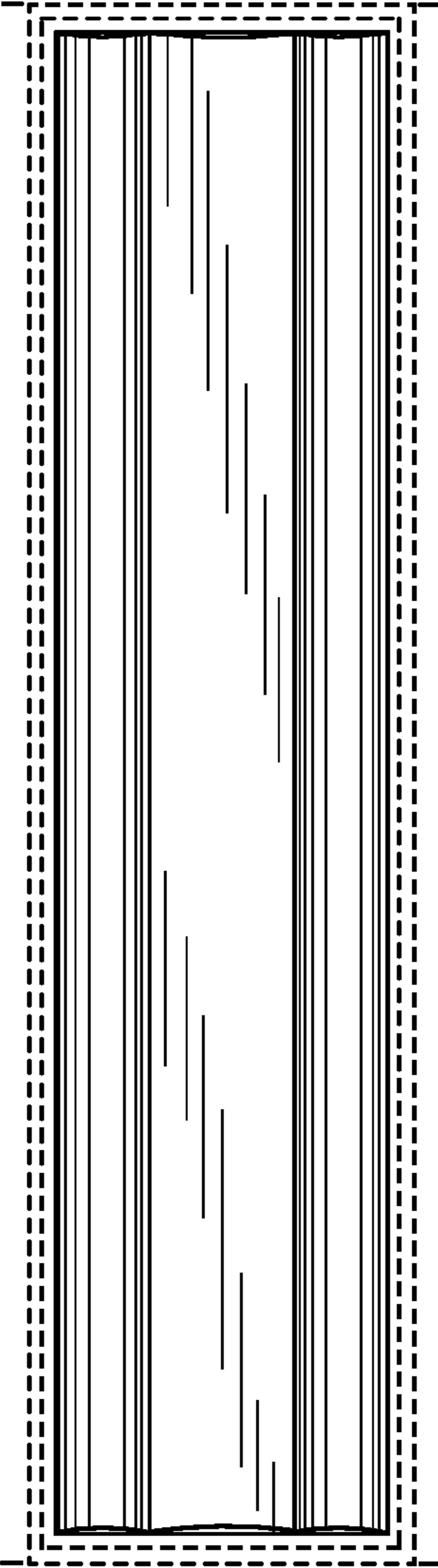


Fig. 4

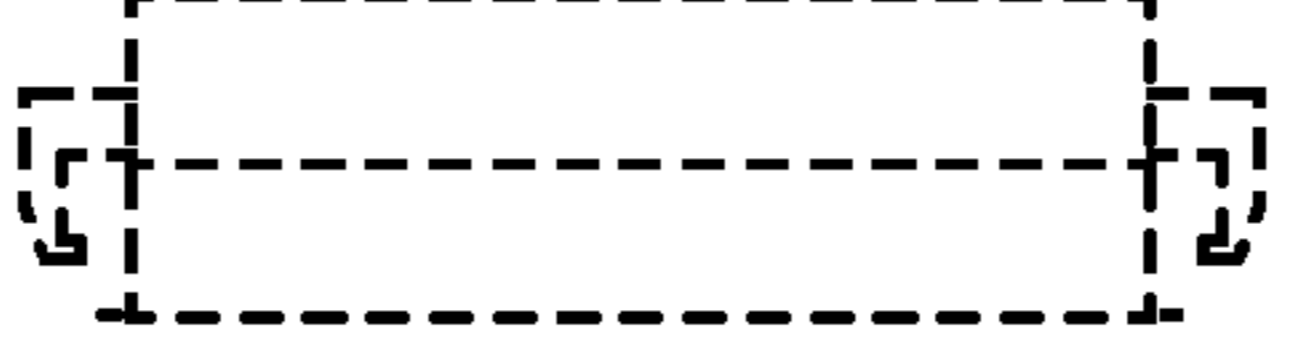


Fig. 5



Fig. 6

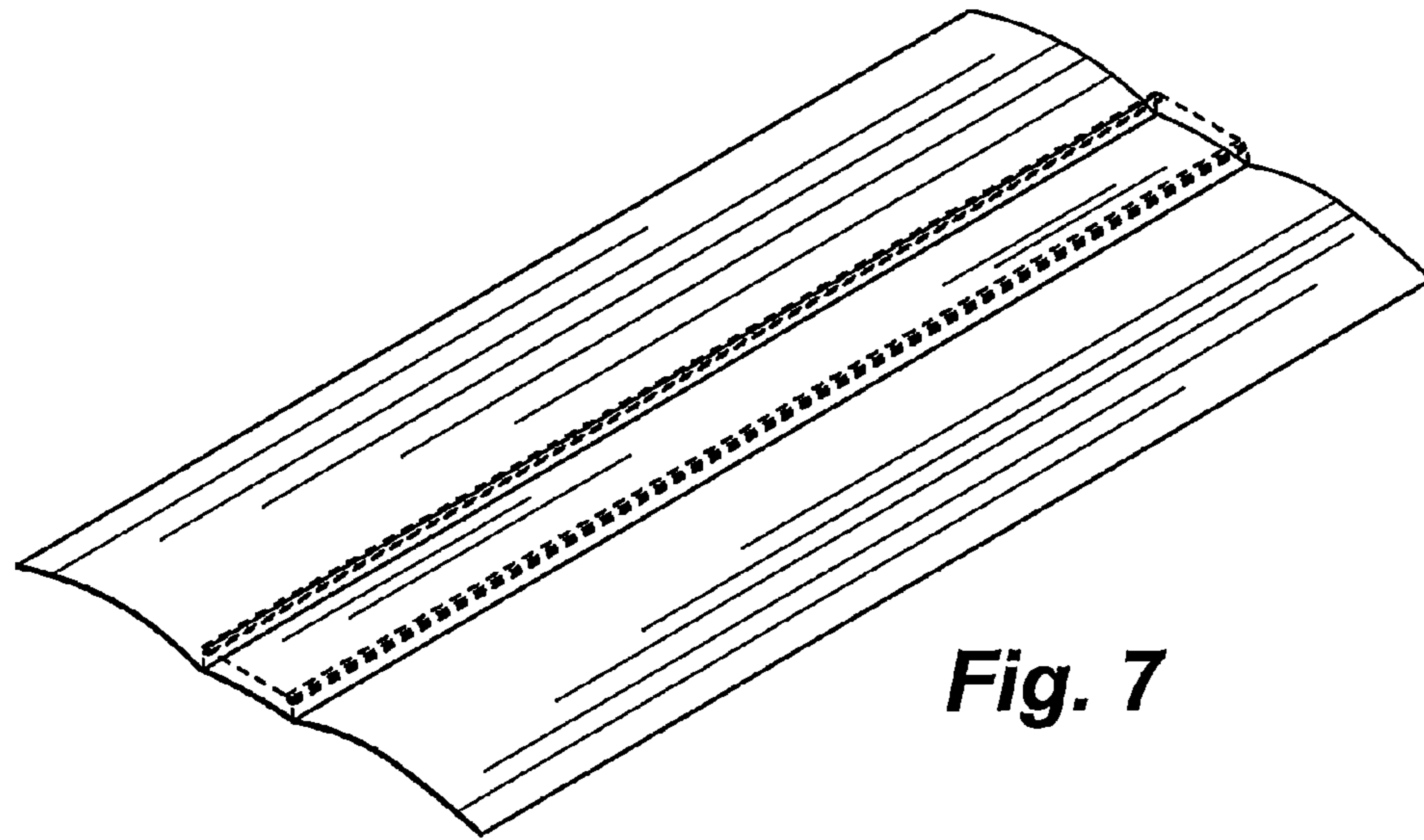


Fig. 7

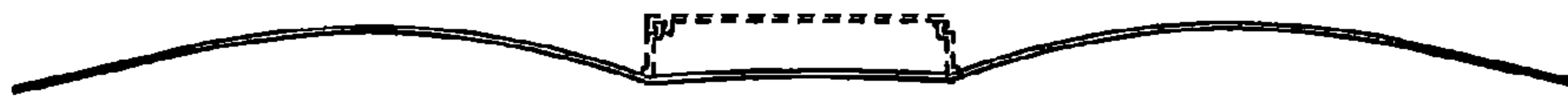


Fig. 8

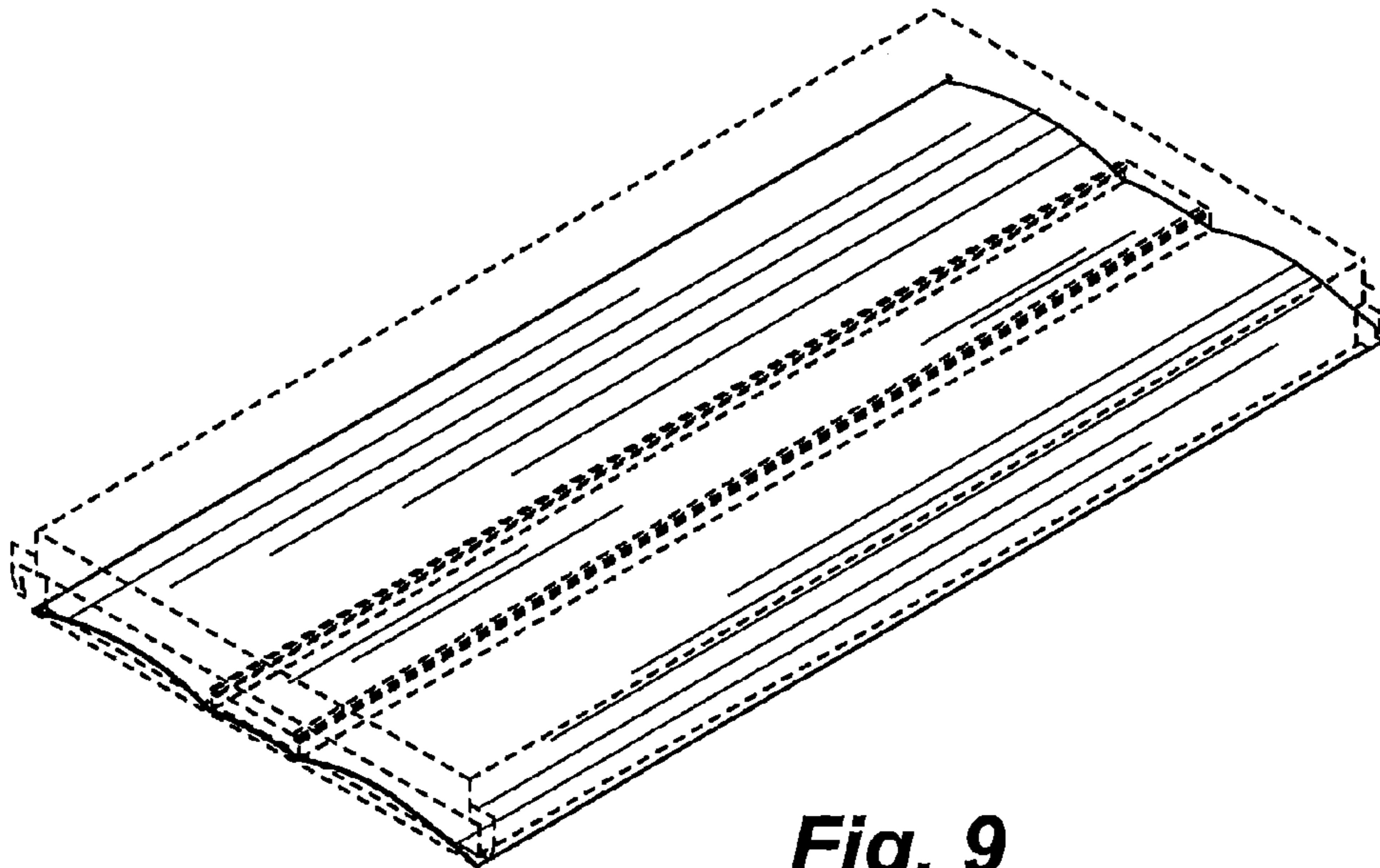


Fig. 9

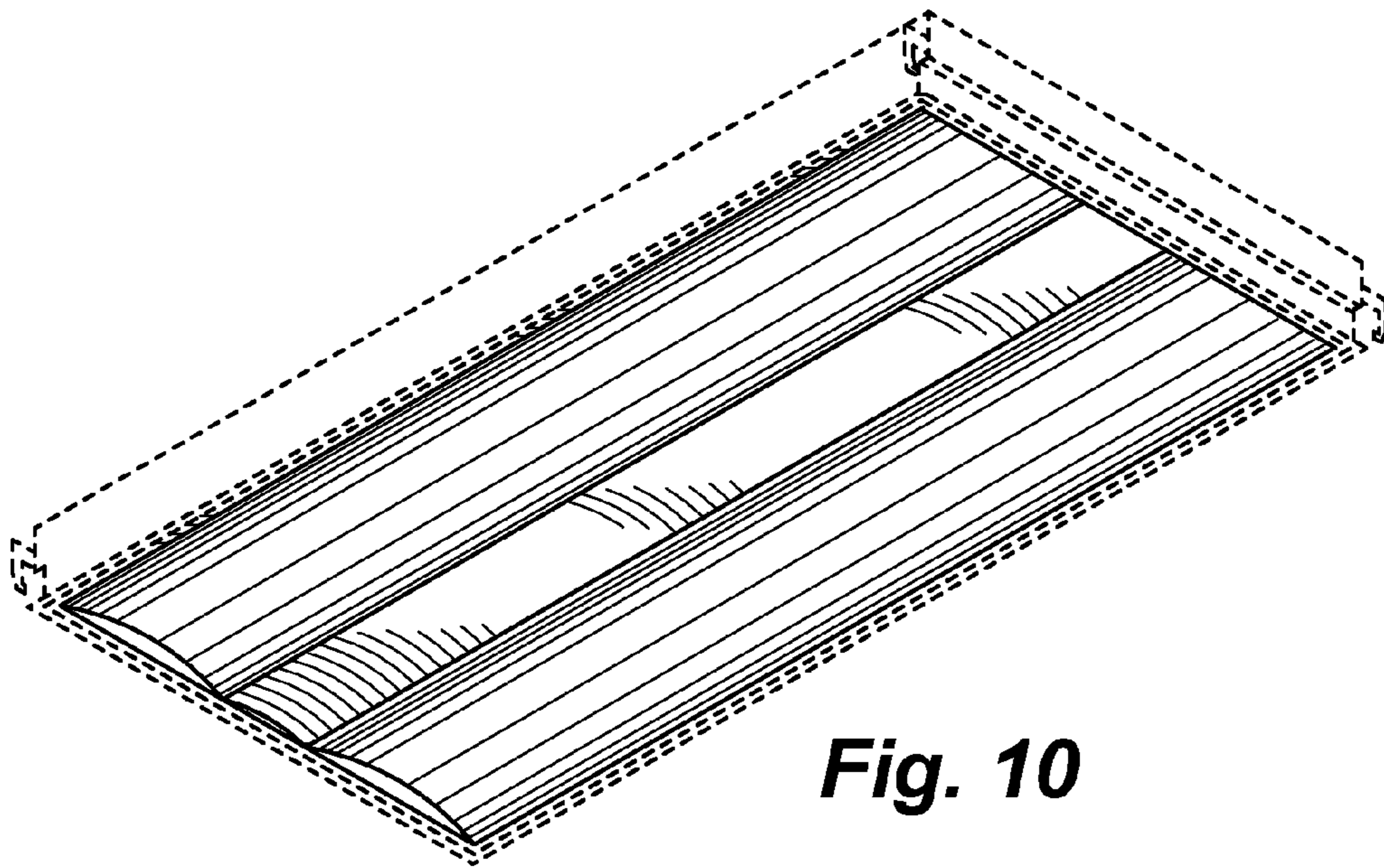


Fig. 10

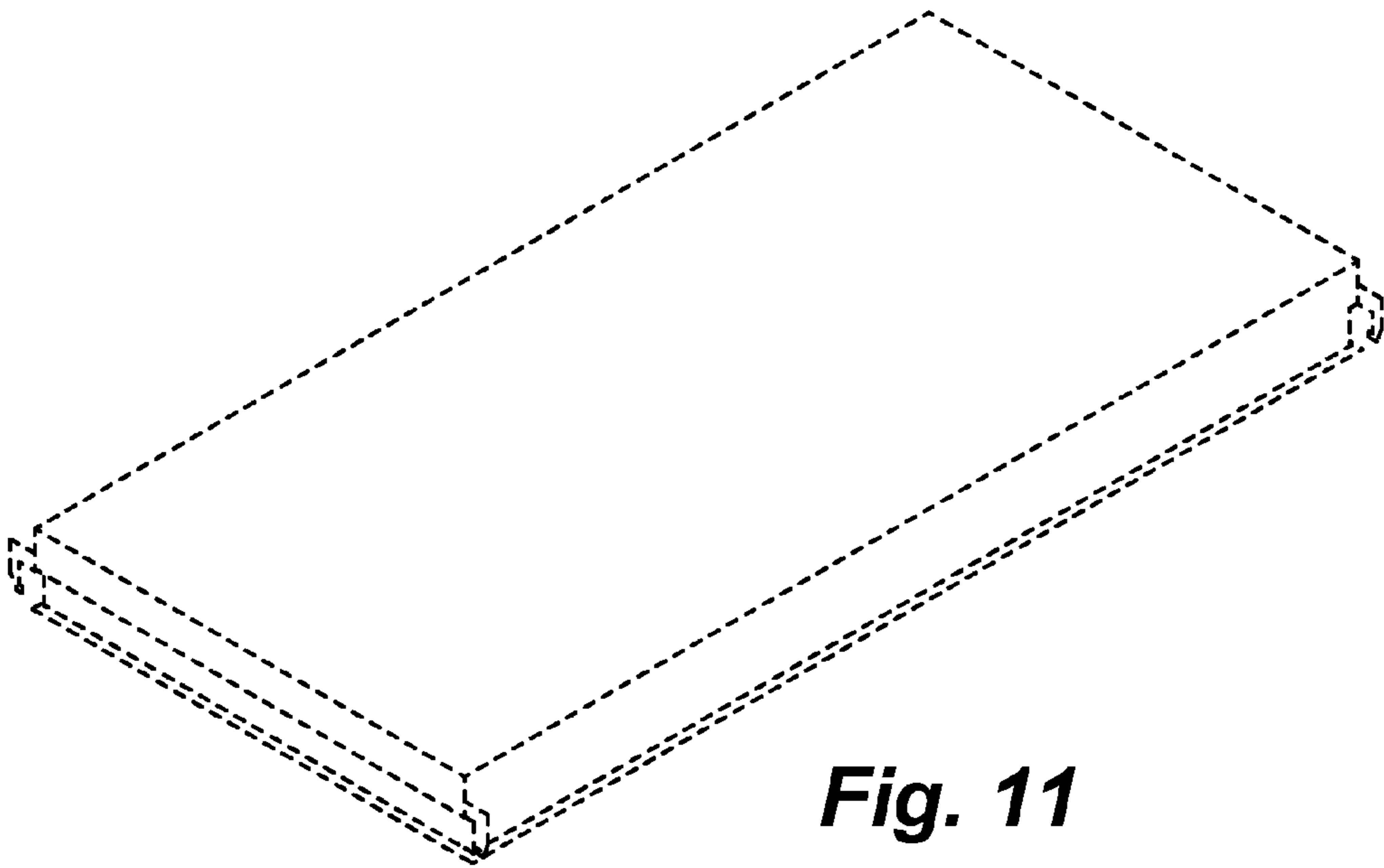


Fig. 11

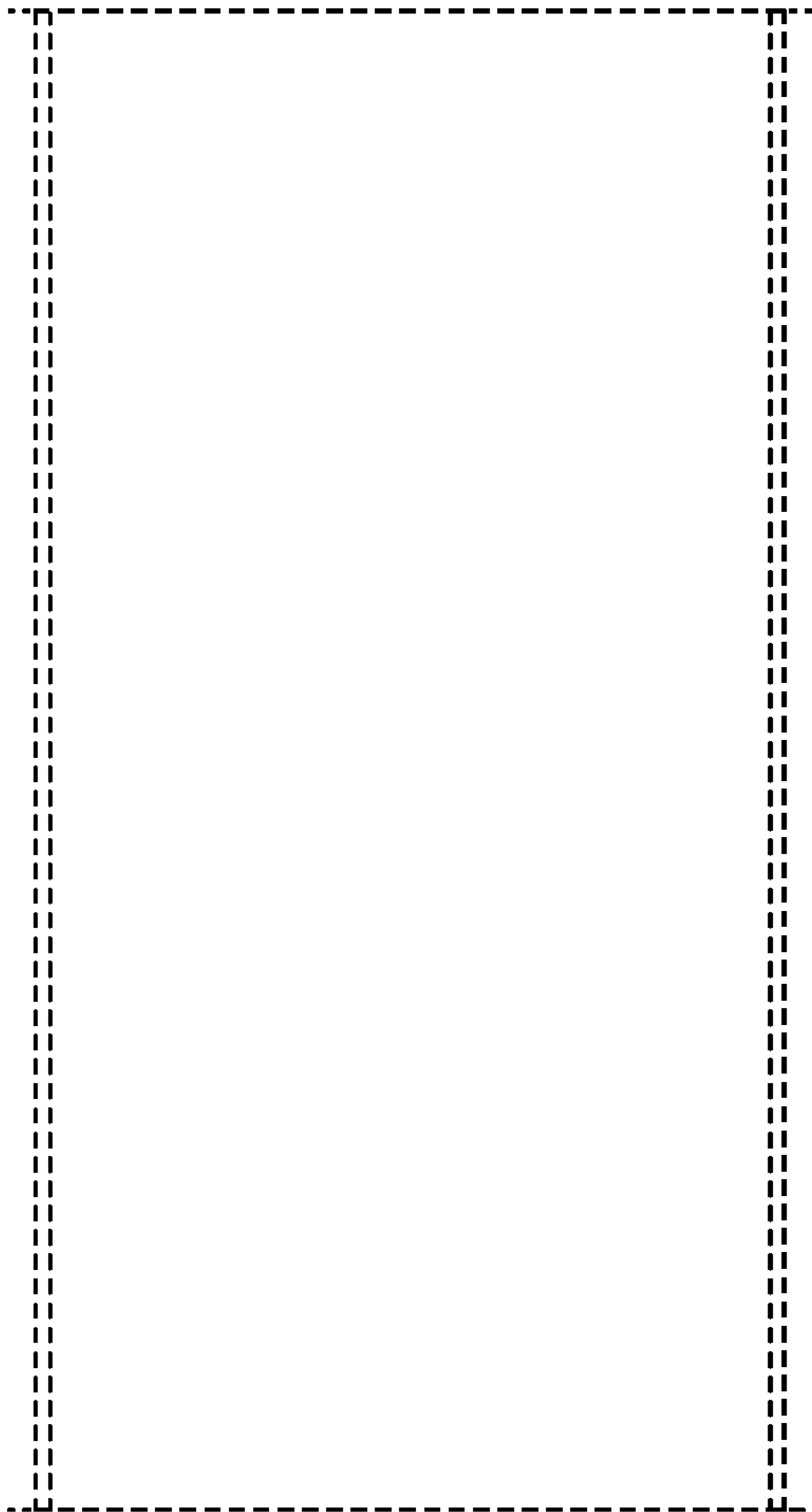


Fig. 12

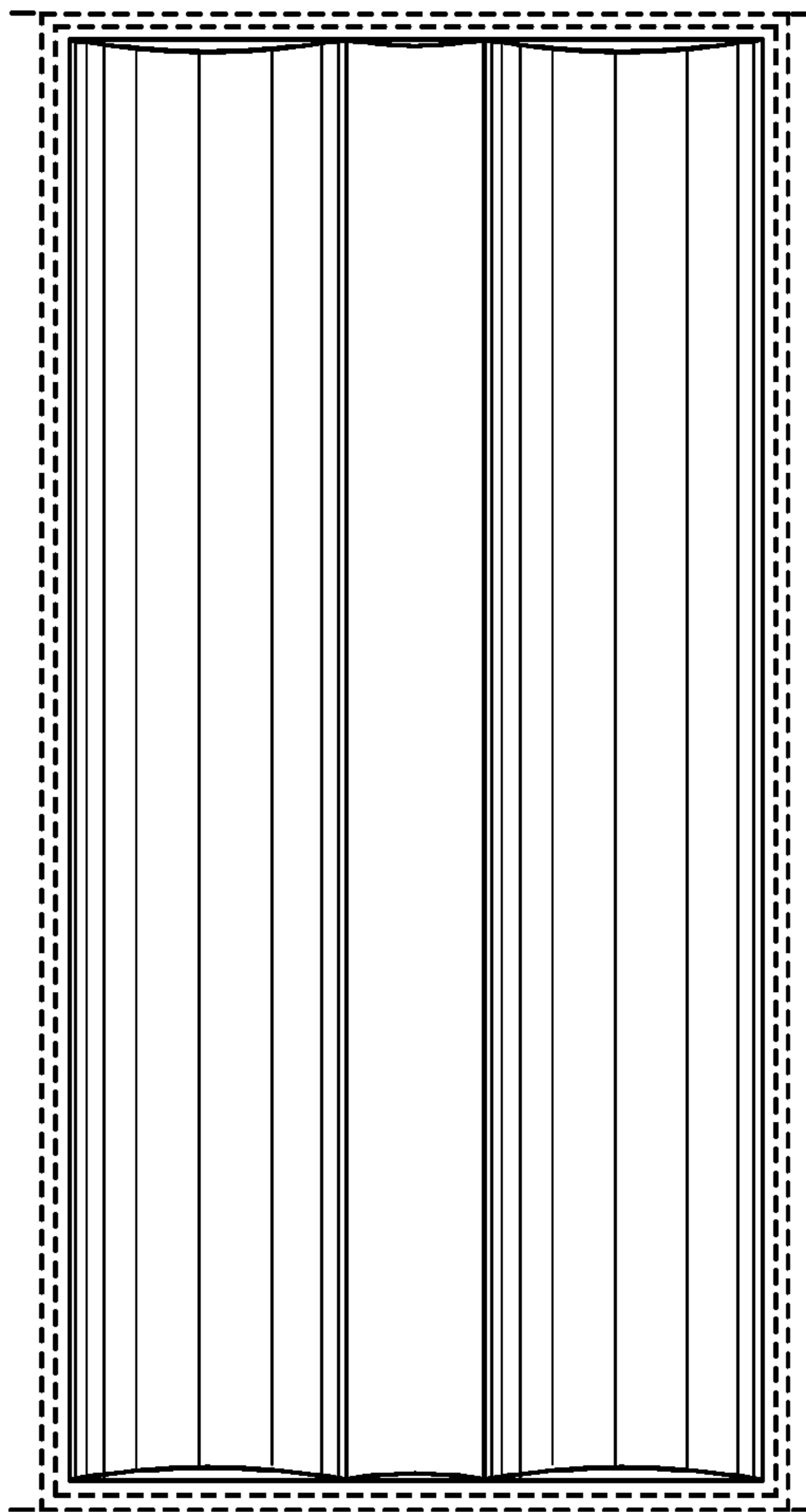


Fig. 13



Fig. 14



Fig. 15

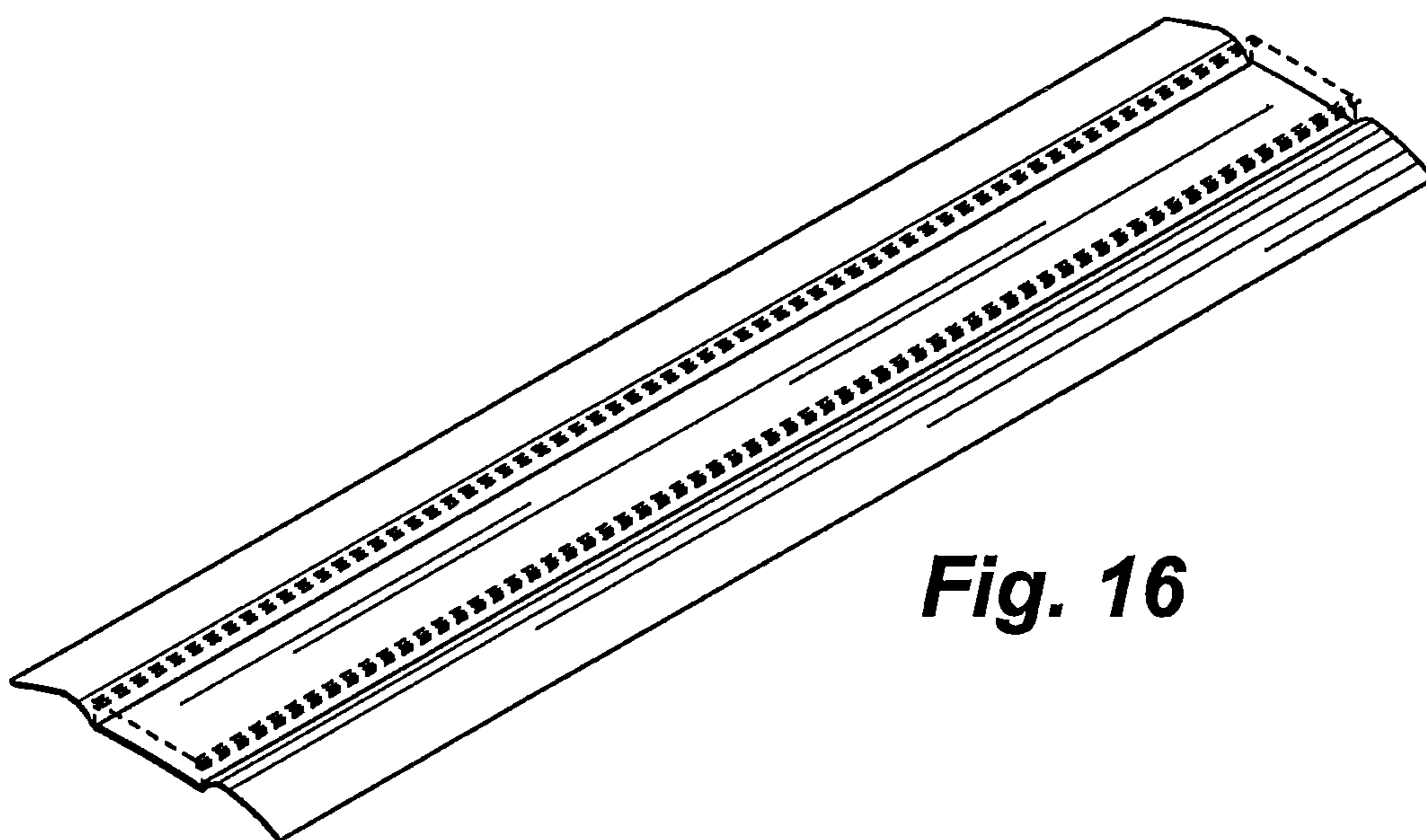


Fig. 16

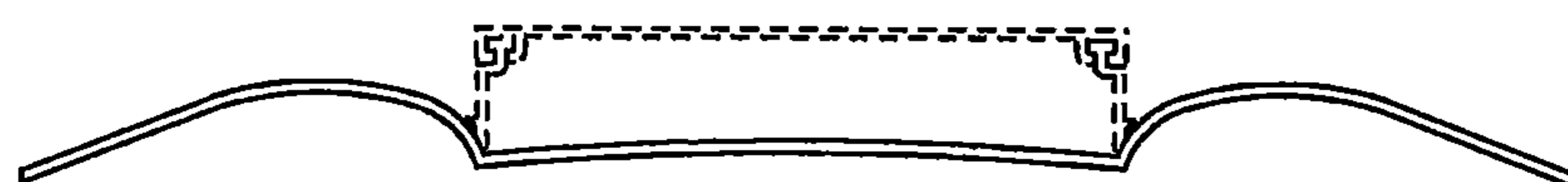


Fig. 17

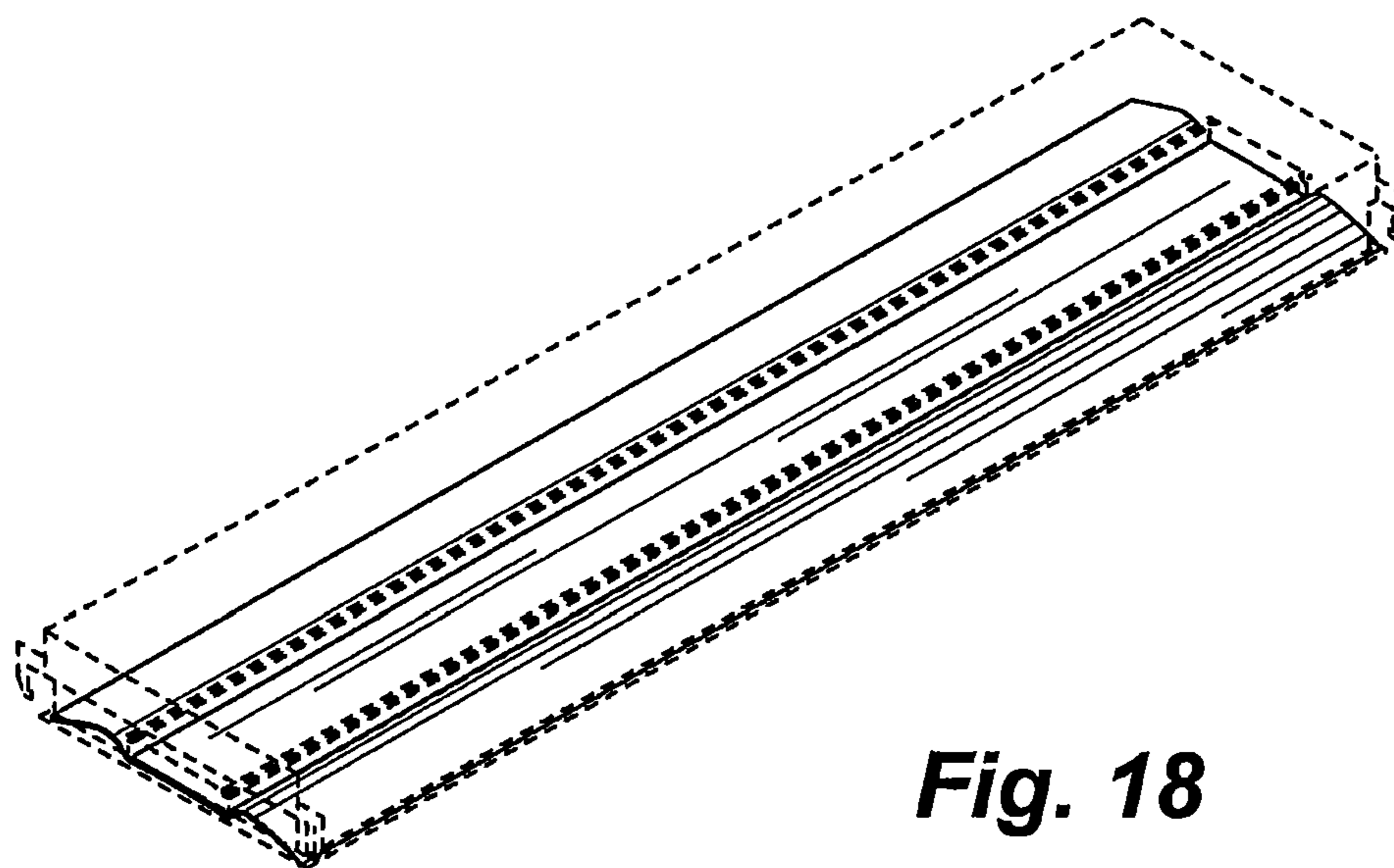


Fig. 18

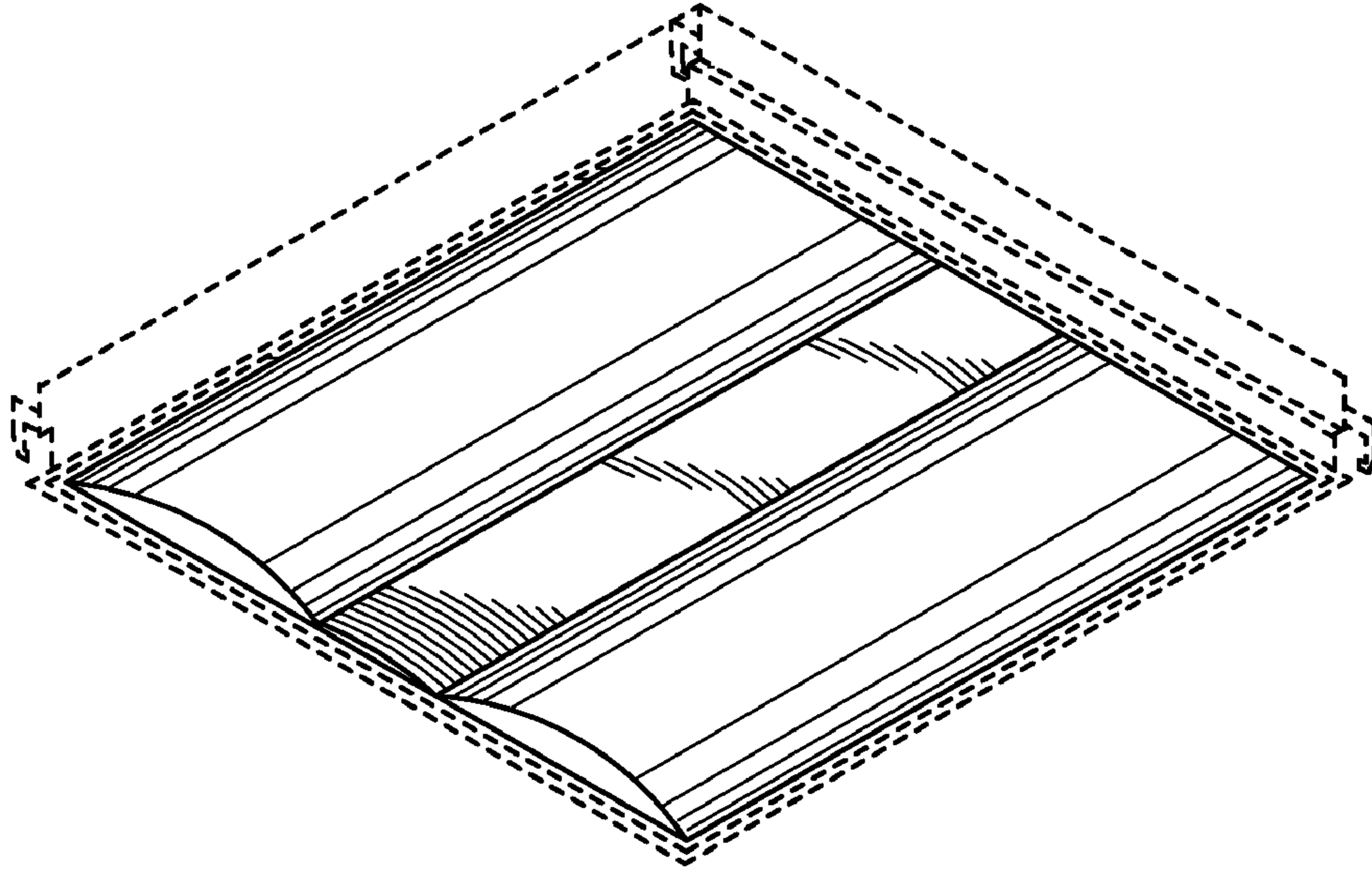


Fig. 19

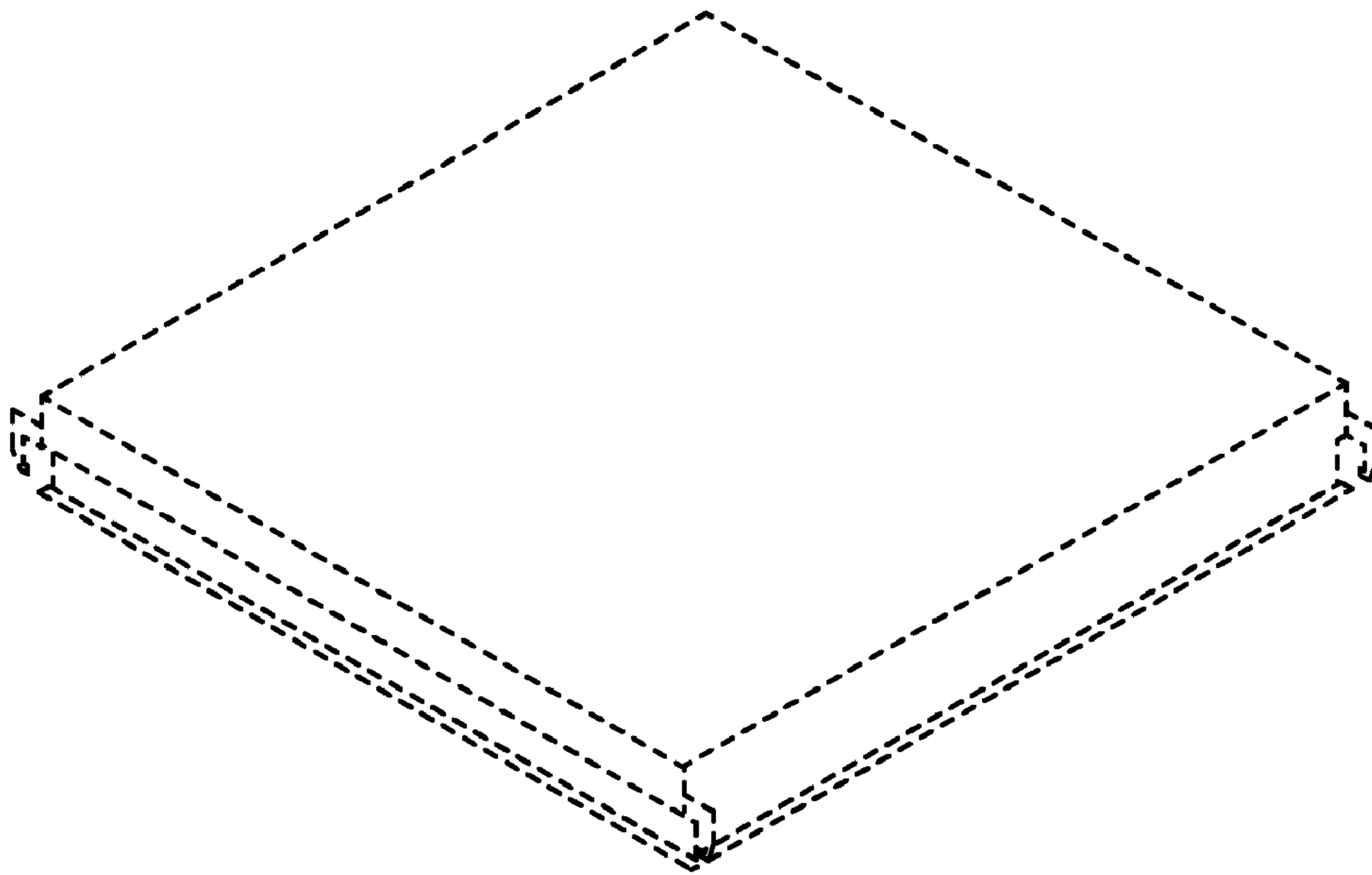


Fig. 20

Fig. 21

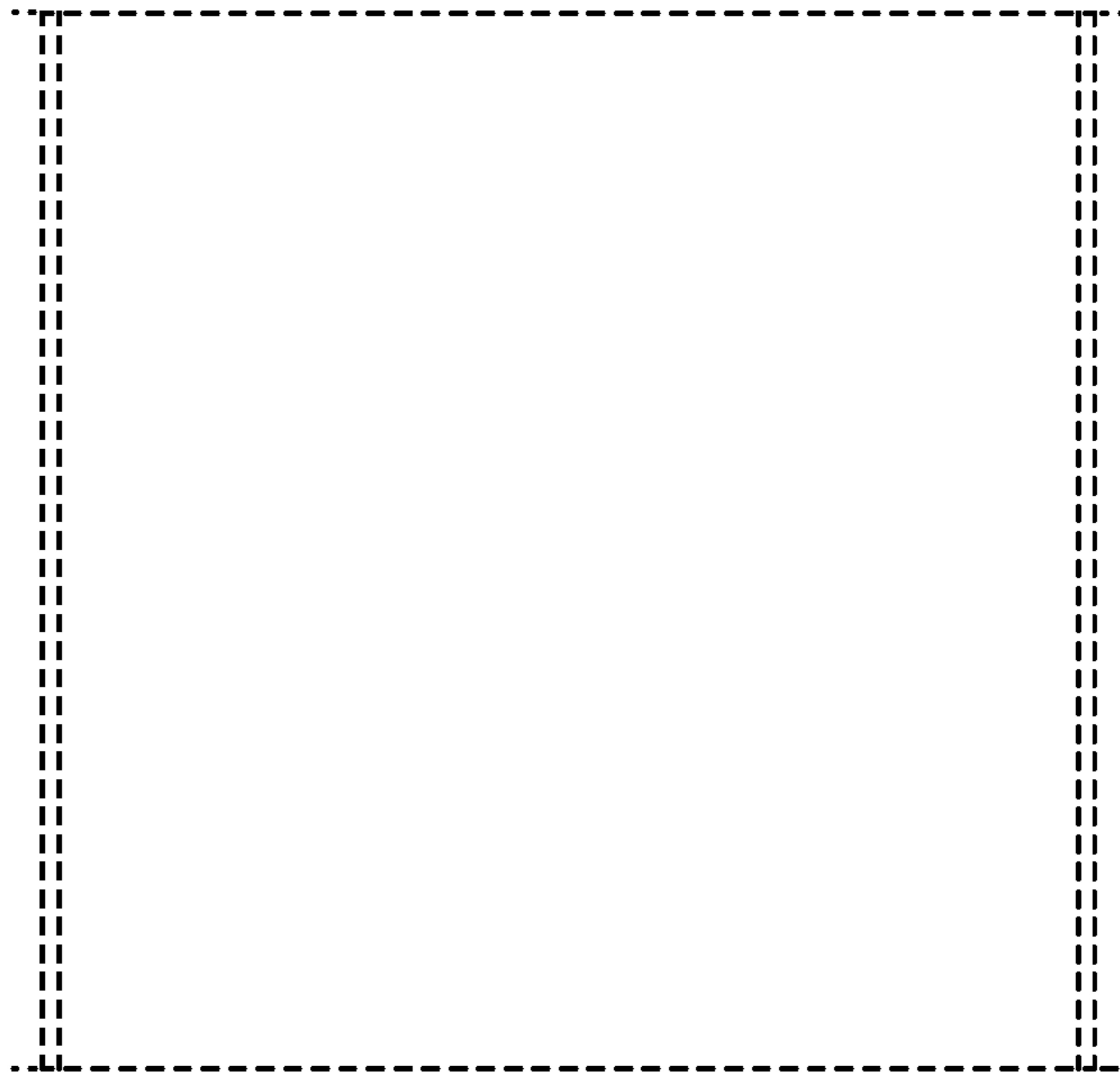


Fig. 22

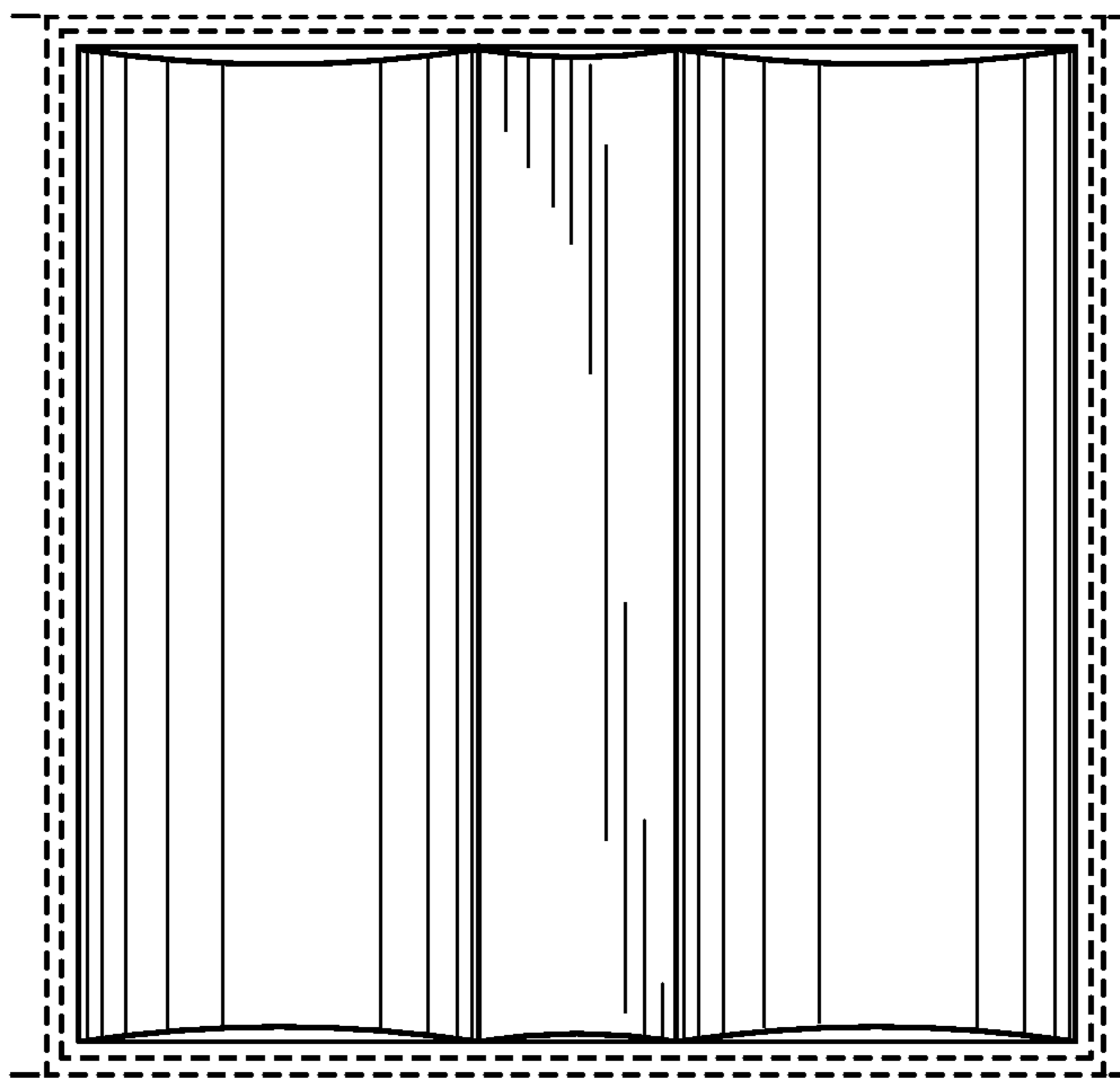


Fig. 23



Fig. 24



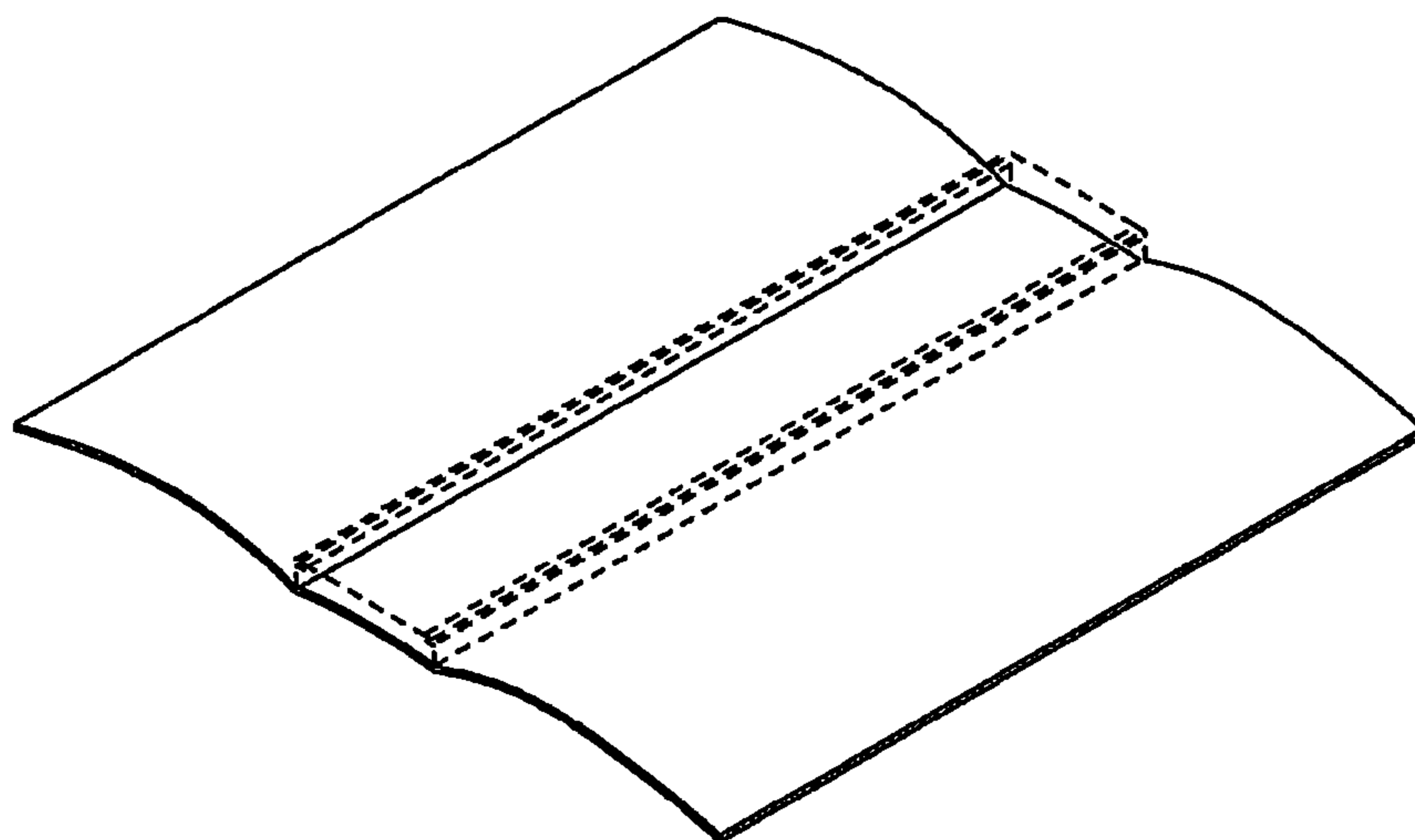


Fig. 25



Fig. 26

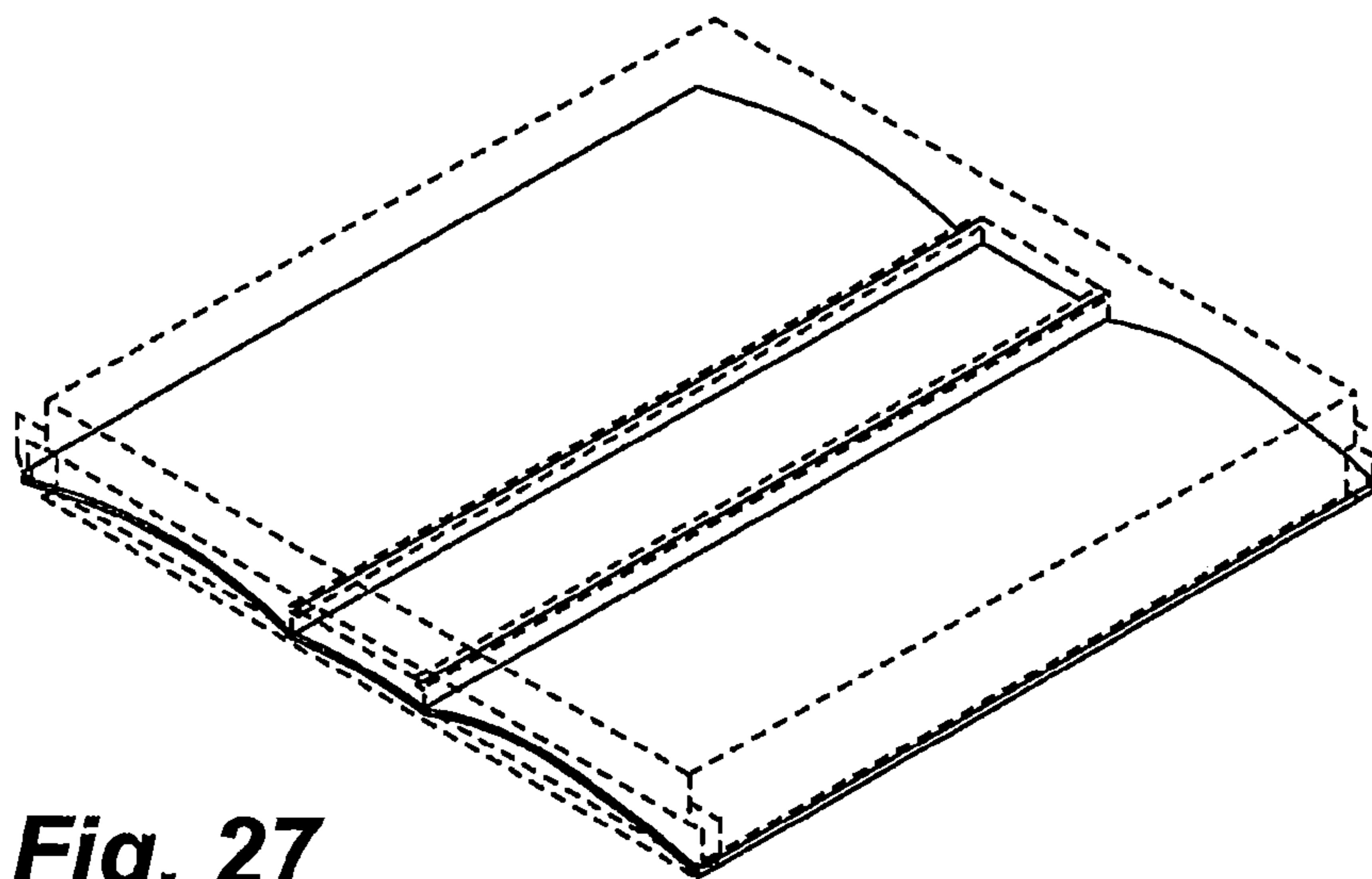


Fig. 27