



US00D644371S

(12) **United States Design Patent**
Orozco

(10) **Patent No.:** **US D644,371 S**

(45) **Date of Patent:** **** Aug. 30, 2011**

(54) **LIGHTING FIXTURE**

(75) Inventor: **Sergio Orozco**, West New York, NJ (US)

(73) Assignee: **The L.D. Kichler Co.**, Cleveland, OH (US)

(**) Term: **14 Years**

(21) Appl. No.: **29/370,099**

(22) Filed: **Jun. 4, 2010**

Related U.S. Application Data

(60) Continuation-in-part of application No. 29/308,457, filed on Jun. 18, 2008, now abandoned, which is a continuation-in-part of application No. 29/307,520, filed on Apr. 24, 2008, now abandoned, which is a division of application No. 29/291,719, filed on Sep. 12, 2007, now Pat. No. Des. 570,523, which is a division of application No. 29/234,767, filed on Jul. 22, 2005, now Pat. No. Des. 564,123, which is a continuation of application No. 29/153,392, filed on Jan. 7, 2002, now Pat. No. Des. 511,019, said application No. 29/308,457 and a continuation-in-part of application No. 29/291,738, filed on Sep. 12, 2007, now Pat. No. Des. 578,244, is a division of application No. 29/265,173, filed on Aug. 24, 2006, now Pat. No. Des. 560,841, which is a division of application No. 29/185,163, filed on Jun. 24, 2003, now Pat. No. Des. 530,845, said application No. 29/308,457 and a continuation-in-part of application No. 29/292,839, filed on Oct. 30, 2007, now Pat. No. Des. 575,446, is a division of application No. 29/283,466, filed on Aug. 15, 2007, now Pat. No. Des. 585,591, which is a continuation of application No. 29/221,429, filed on Jan. 14, 2005, now Pat. No. Des. 550,886, said application No. 29/308,457 and a continuation-in-part of application No. 29/292,268, filed on Oct. 4, 2007, now Pat. No. Des. 580,084, is a division of application No. 29/221,430, filed on Jan. 14, 2005, now Pat. No. Des. 561,375, said application No. 29/308,457 and a continuation-in-part of application No. 29/276,225, filed on Jan. 19, 2007, now Pat. No. Des. 573,293, is a

continuation of application No. 29/257,608, filed on Apr. 6, 2006, now Pat. No. Des. 561,371, said application No. 29/308,457 and a continuation-in-part of application No. 29/261,674, filed on Jun. 16, 2006, now abandoned, and a continuation-in-part of application No. 29/268,178, filed on Oct. 31, 2006, now Pat. No. Des. 578,238, and a continuation-in-part of application No. 29/291,411, filed on Aug. 27, 2007, now Pat. No. Des. 583,089, and a continuation-in-part of application No. 29/293,627, filed on Dec. 4, 2007, now Pat. No. Des. 580,088, and a continuation-in-part of application No. 29/294,158, filed on Dec. 21, 2007, now abandoned, application No. 29/370,099, and a continuation-in-part of application No. 29/330,797, filed on Jan. 14, 2009, now Pat. No. Des. 622,892, and a continuation-in-part of application No. 29/315,416, filed on Jun. 23, 2009.

(51) **LOC (9) Cl.** **26-03**

(52) **U.S. Cl.** **D26/86; D26/90**

(58) **Field of Classification Search** D26/85,
D26/87, 88, 90, 91, 118, 128-130, 137, 144;
362/147, 404-408, 431, 432

See application file for complete search history.

(56) **References Cited**

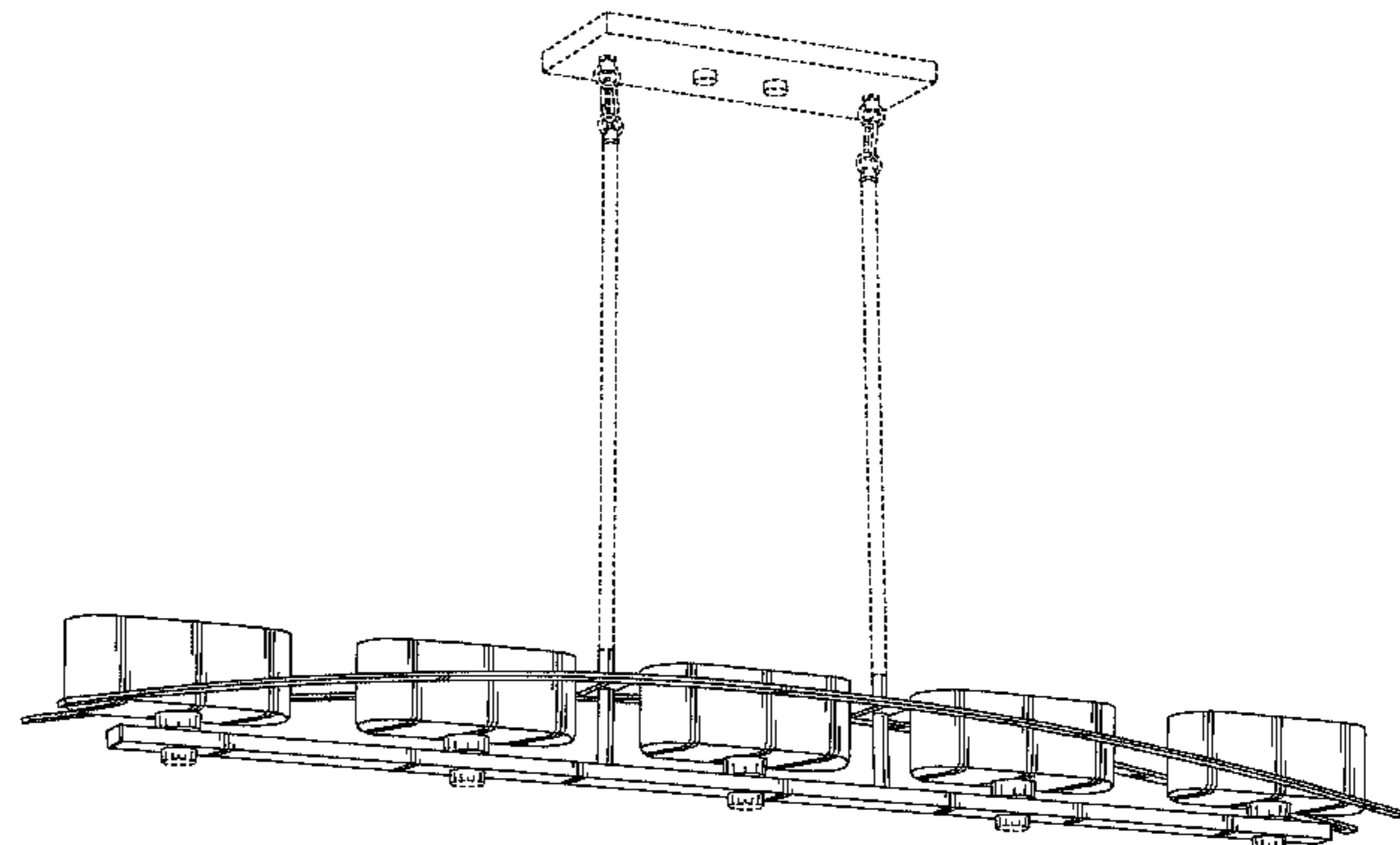
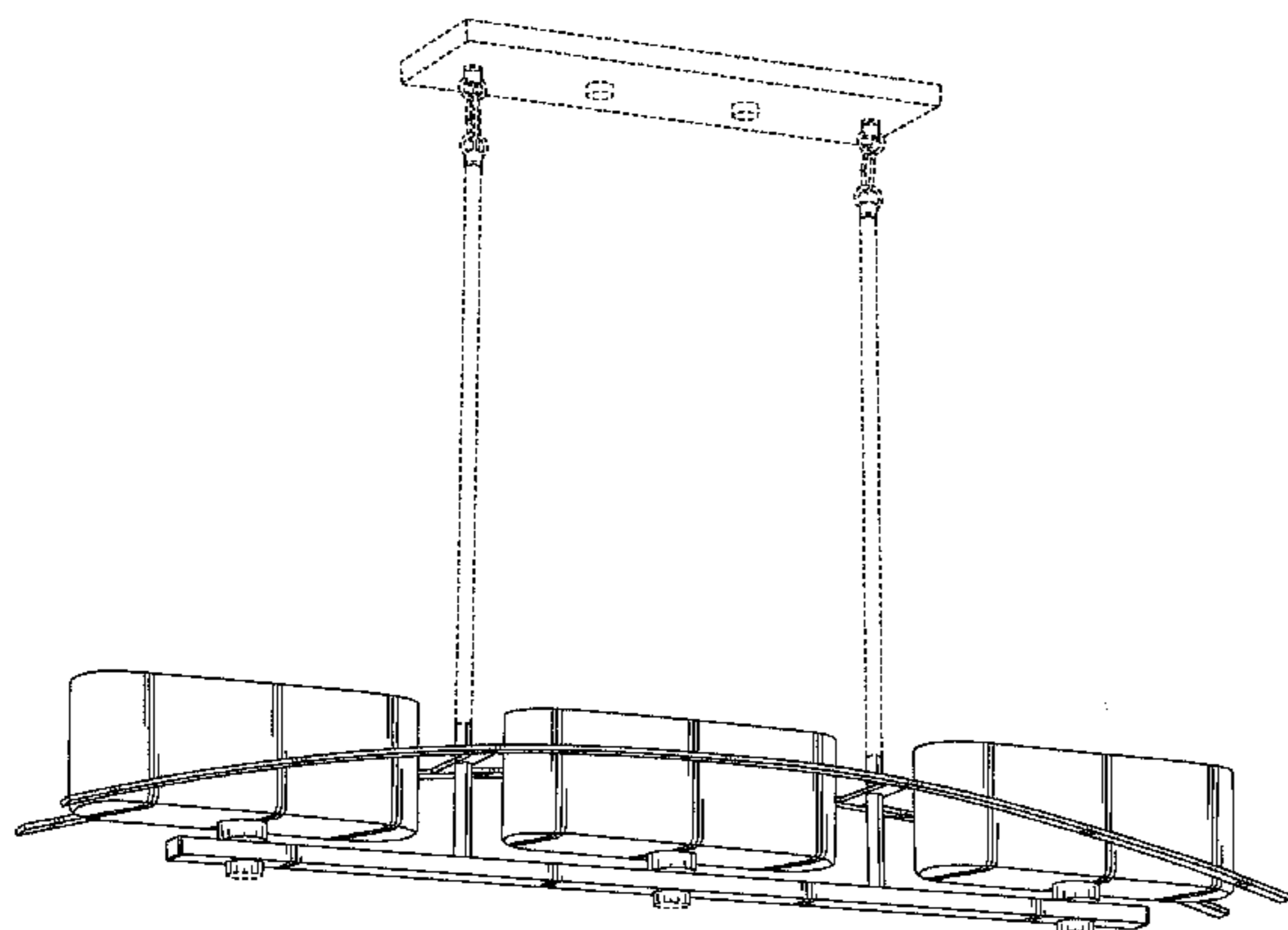
U.S. PATENT DOCUMENTS

D74,472	S	*	2/1928	Bardwell	D26/88
D129,362	S	*	9/1941	Pieper	D26/88
D314,059	S	*	1/1991	O'Neil	D26/73
D564,123	S	*	3/2008	Porter	D26/84
D588,739	S	*	3/2009	Janssen	D26/90
D620,177	S	*	7/2010	Sabernig	D26/84
D620,178	S	*	7/2010	Sabernig	D26/84
D620,179	S	*	7/2010	Sabernig	D26/84
D622,436	S	*	8/2010	Whittier et al.	D26/88
D622,892	S	*	8/2010	Nicholas	D26/88
D626,278	S	*	10/2010	Sabernig	D26/88

OTHER PUBLICATIONS

“Kakomi” Model #'s: 13/7553-07-H102 and 13/7555-03-G102 shown on p. 151 and pendant shown on the front cover. Both from the Hubbarton Forge 2007 catalog. (2 pages).*

“Ovo” 3-light Island Chandelier with white opal shades, PS1310-10, shown on p. 7 of the Alico Industries Lighting Guide Supplement vol. 1 C. © 2008.(2 pages).*



3 pendants from the ModernLightingUniverse.com website visited on Jun. 16, 2009. (2 pages).*

Model #s 6501/2 and 6502/3 from the Elysburg Collection on p. 184; and Model #'s 10041/2 and 10042/3 from the Vanity Collection on p. 345; Both from the E.L.K. Lighting Catalog 2900, © 2009. (4 pages).*

* cited by examiner

Primary Examiner — Clare E Hefflin

(74) *Attorney, Agent, or Firm* — Calfee, Halter & Griswold LLP

(57)

CLAIM

I claim the ornamental designs for a lighting fixture, as shown and described.

DESCRIPTION

FIG. 1 is a perspective view of a lighting fixture. This fixture has mirror image symmetry (one hundred eighty degree over-

all rotational symmetry, and mirror image symmetry along a first vertical imaginary plane and also mirror image symmetry along a second vertical imaginary plane, with the first and second vertical imaginary planes being orthogonal to each other).

FIG. 2 is a top view of the lighting fixture of FIG. 1.

FIG. 3 is a perspective view of a lighting fixture. This fixture has mirror image symmetry (one hundred eighty degree overall rotational symmetry, and mirror image symmetry along a first vertical imaginary plane and also mirror image symmetry along a second vertical imaginary plane, with the first and second vertical imaginary planes being orthogonal to each other).

FIG. 4 is a top view of the lighting fixture of FIG. 3.

The broken lines shown on the drawings depict environment only and form no part of the claimed design.

1 Claim, 4 Drawing Sheets

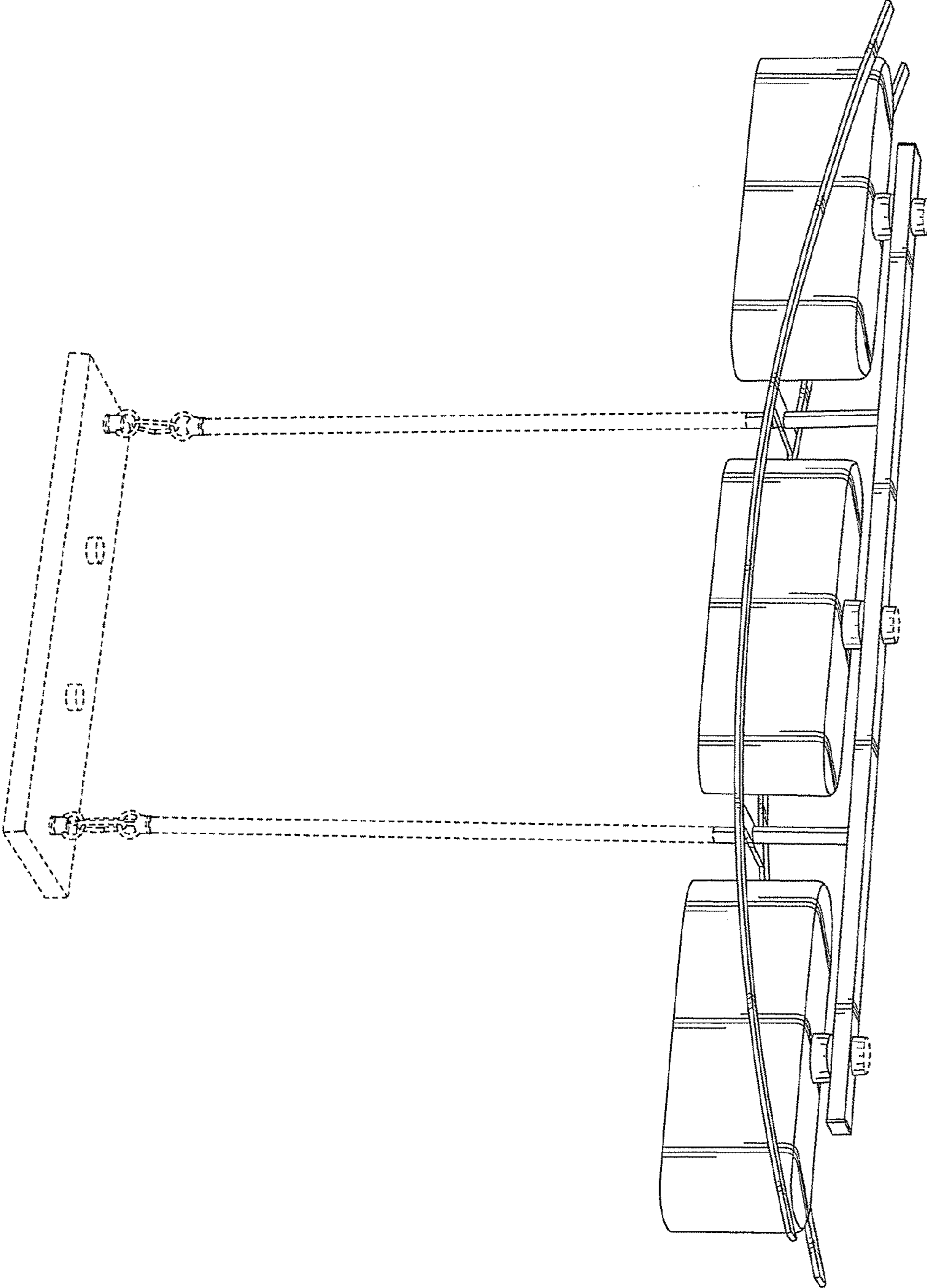


FIG. 1

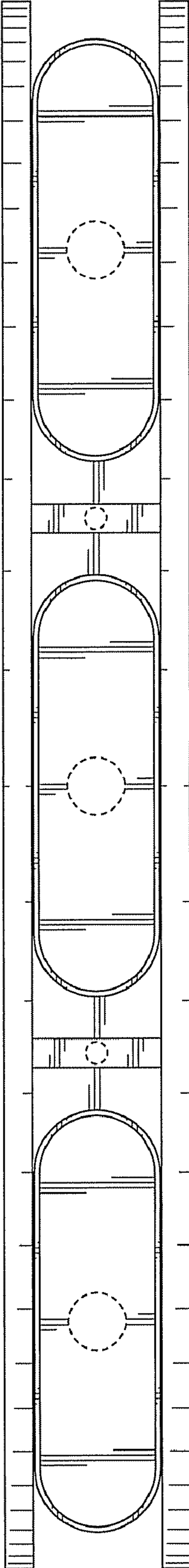


FIG. 2

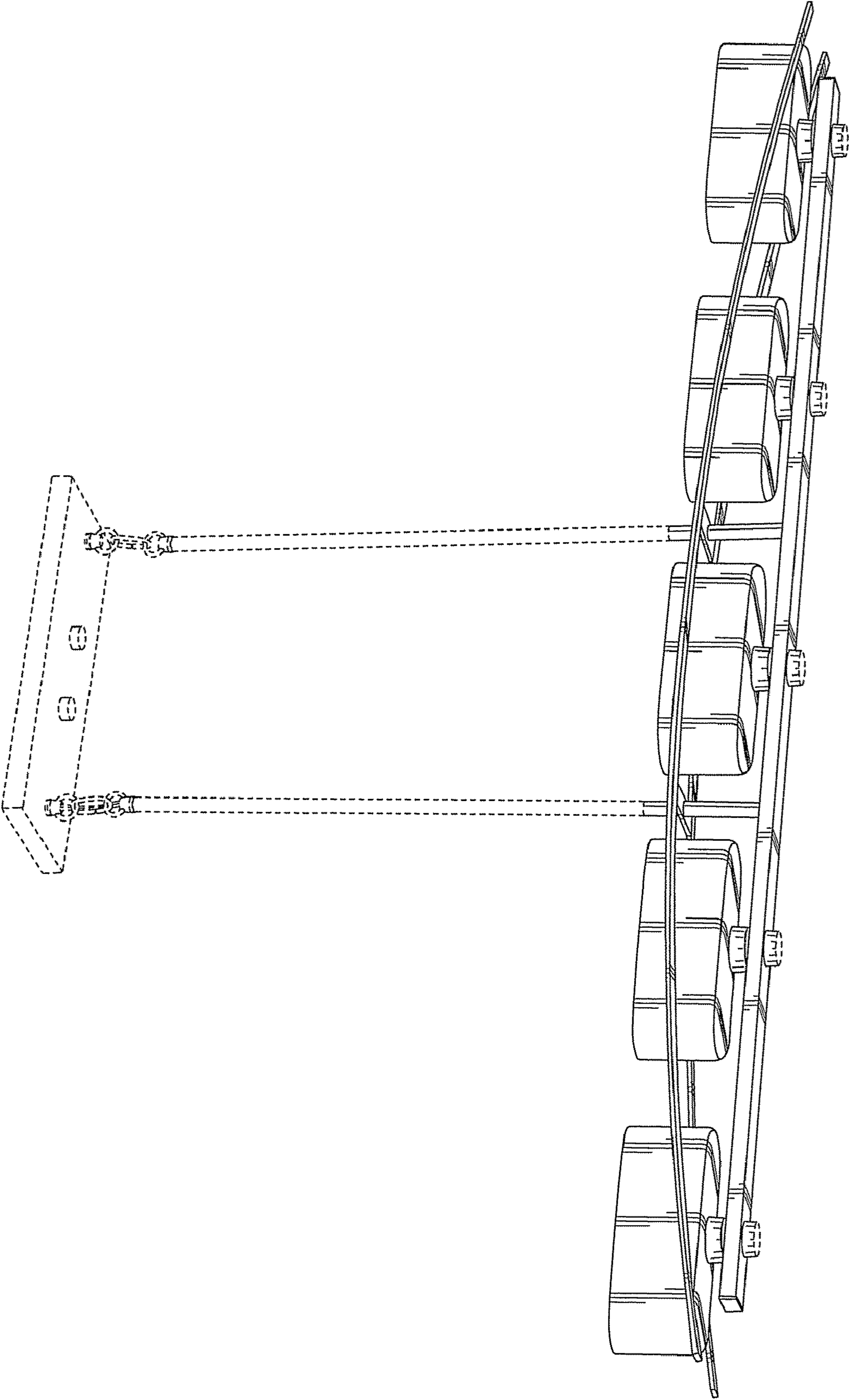


FIG. 3

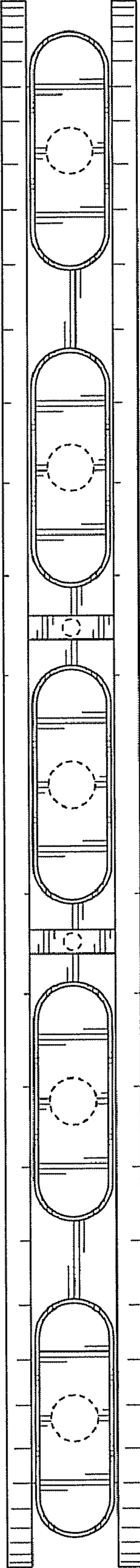


FIG. 4