



US00D644369S

(12) **United States Design Patent**
Verelst

(10) **Patent No.:** **US D644,369 S**

(45) **Date of Patent:** **** Aug. 30, 2011**

(54) **LUMINAIRE**

(75) Inventor: **Dirk Verelst**, Boechout (BE)

(73) Assignee: **Koninklijke Philips Electronics N.V.**,
Eindhoven (NL)

(**) Term: **14 Years**

(21) Appl. No.: **29/381,747**

(22) Filed: **Dec. 22, 2010**

(51) **LOC (9) Cl.** **26-03**

(52) **U.S. Cl.** **D26/83**

(58) **Field of Classification Search** D26/63,
D26/68, 76, 79, 83-92, 128; 362/147, 404-408,
362/217.01, 222, 217.04, 217.14, 217.06
See application file for complete search history.

(56) **References Cited**

U.S. PATENT DOCUMENTS

D127,825 S *	6/1941	Greppein	D26/84
D168,738 S *	2/1953	Friedman	D23/334
D307,060 S *	4/1990	Fraser	D26/88
D314,059 S *	1/1991	O'Neil	D26/73

D473,675 S *	4/2003	Lee	D26/87
D518,593 S *	4/2006	Lee	D26/86
D542,456 S *	5/2007	Swanson	D26/65
D557,441 S *	12/2007	Hsu	D26/83
D620,166 S *	7/2010	Sabernig	D26/63
D620,167 S *	7/2010	Sabernig	D26/63
D620,174 S *	7/2010	Sabernig	D26/83

OTHER PUBLICATIONS

Zoe A lamp shown on p. 103 of the Primaluce venezia catalog by Eurofase Lighting. Catalog #PLV08. © 2008. (2 pages).*

* cited by examiner

Primary Examiner — Clare E Heflin

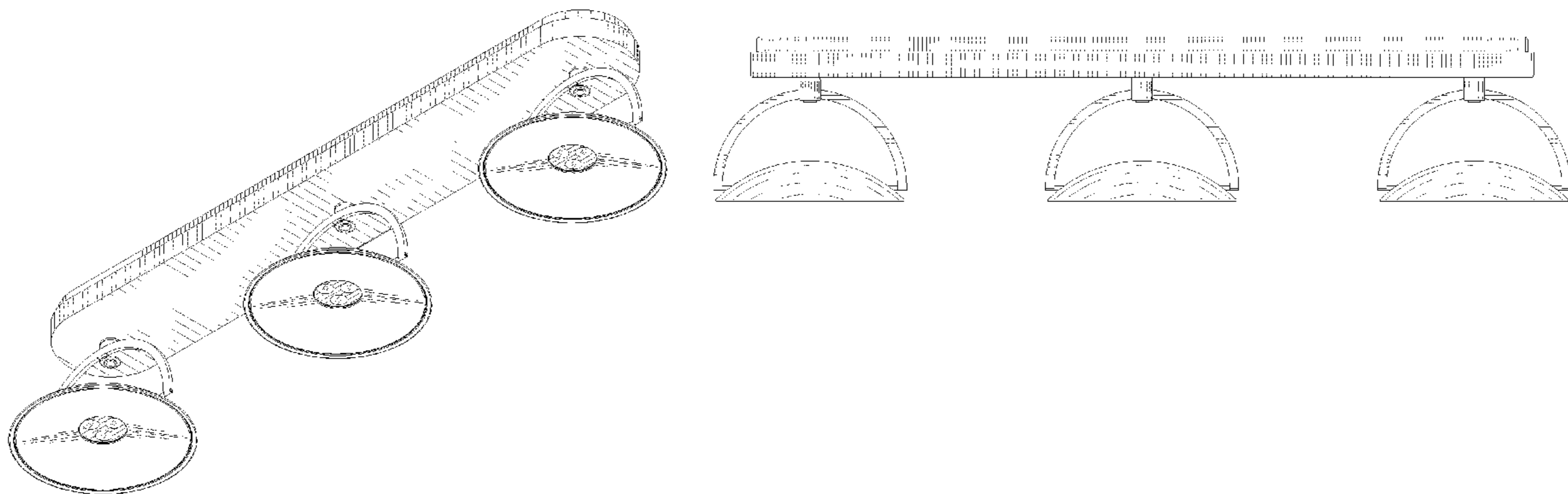
(57) **CLAIM**

The ornamental design for a luminaire, as shown.

DESCRIPTION

FIG. 1 is a perspective view showing my design;
FIG. 2 is a front elevational view thereof;
FIG. 3 is a rear elevational view thereof;
FIG. 4 is a right side elevational view thereof;
FIG. 5 is a left side elevational view thereof;
FIG. 6 is a top plan view thereof; and,
FIG. 7 is a bottom plan view thereof.

1 Claim, 3 Drawing Sheets



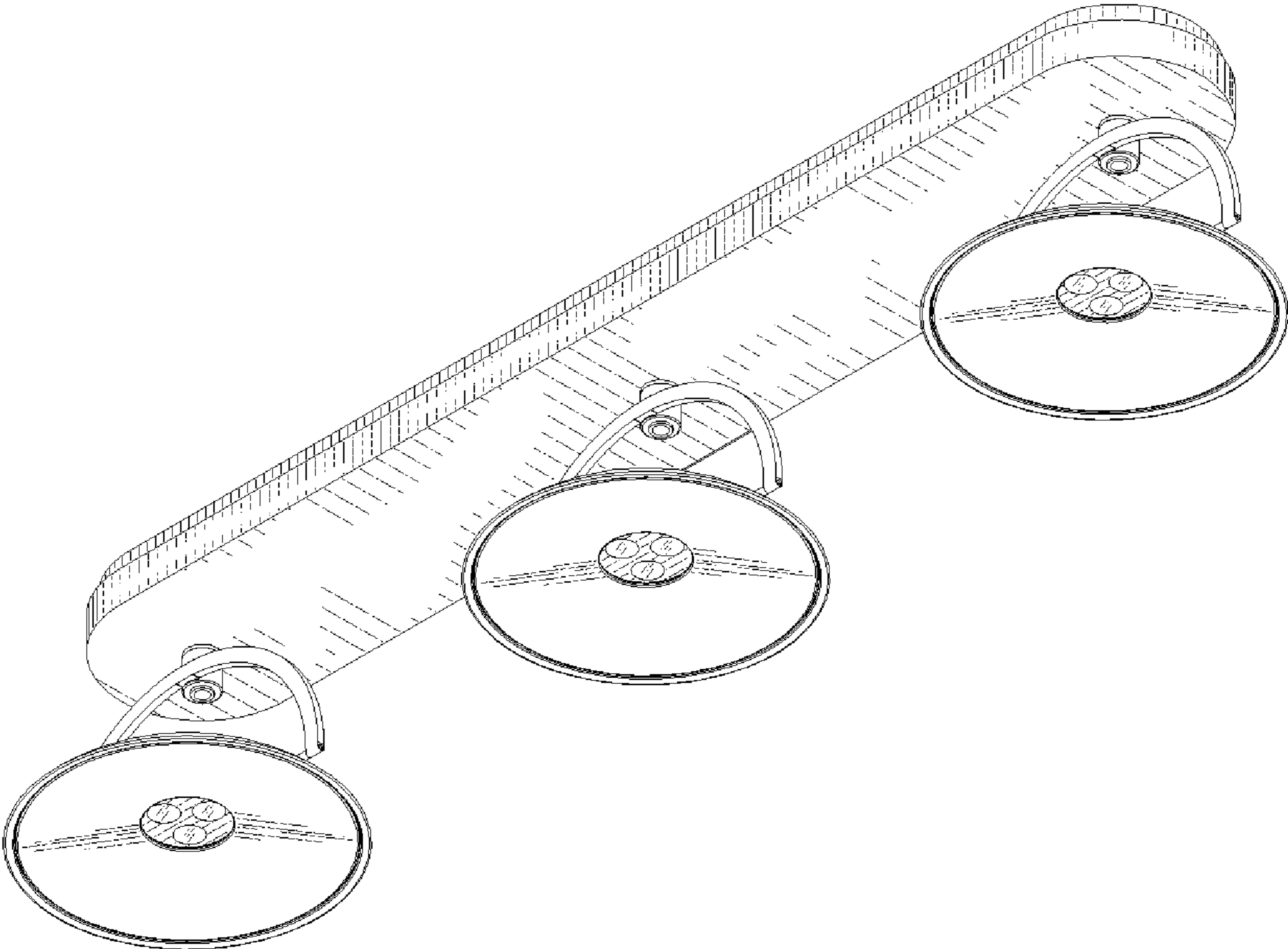


FIG. 1

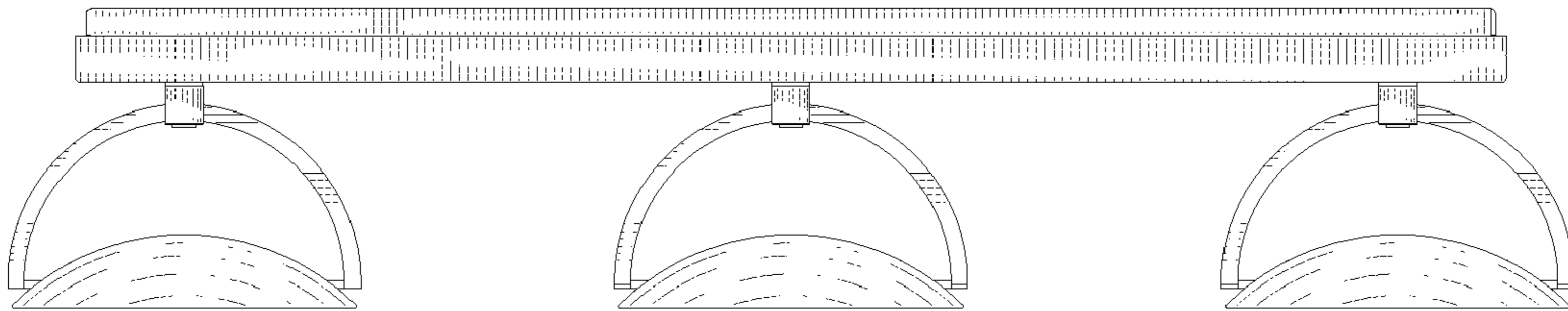


FIG. 2

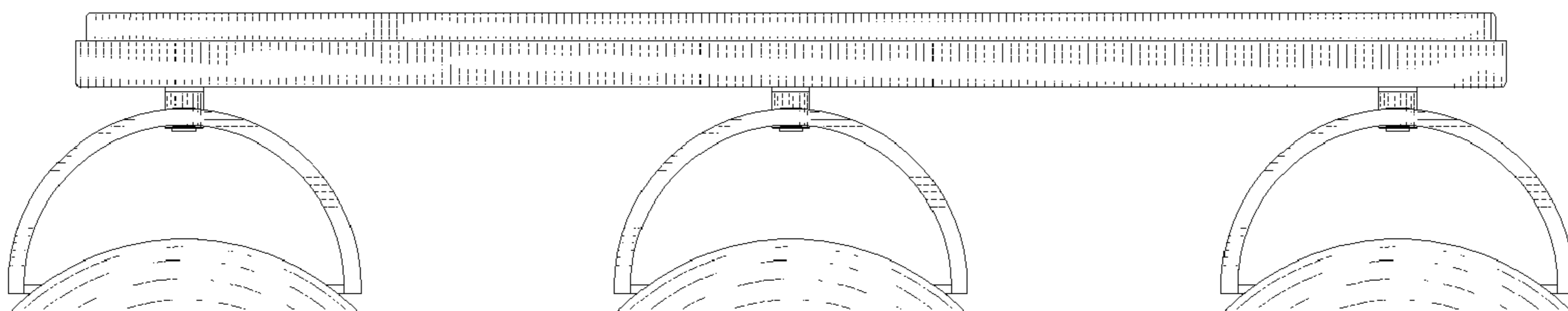


FIG. 3

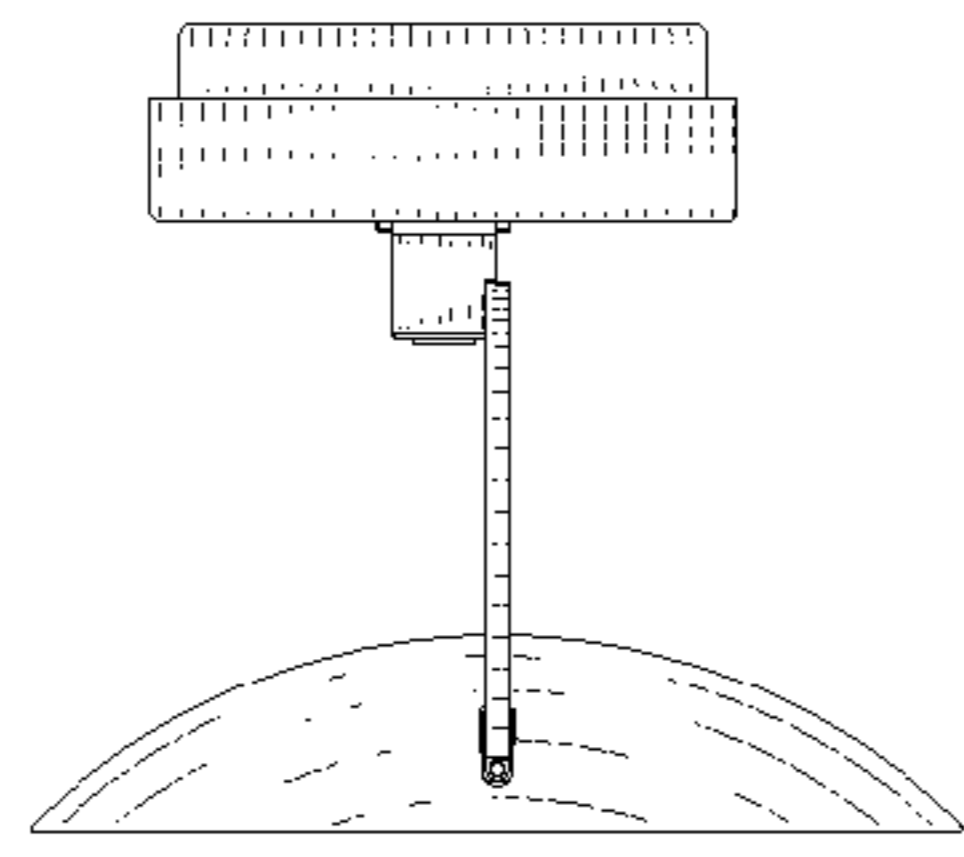


FIG. 4

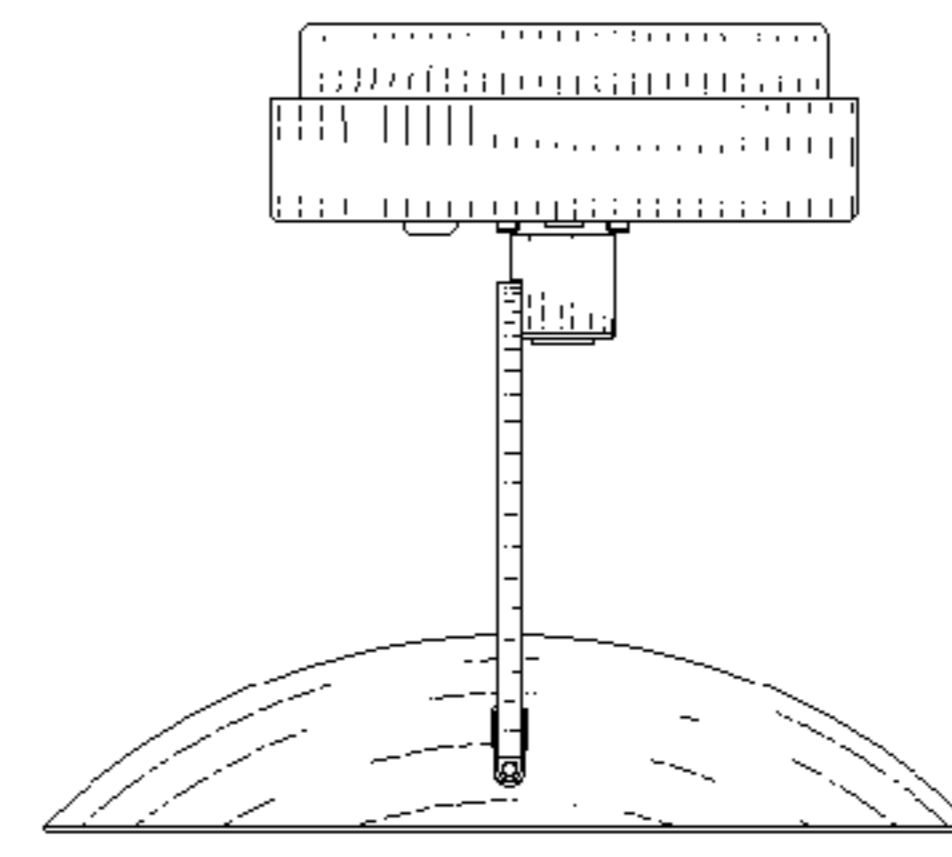


FIG. 5

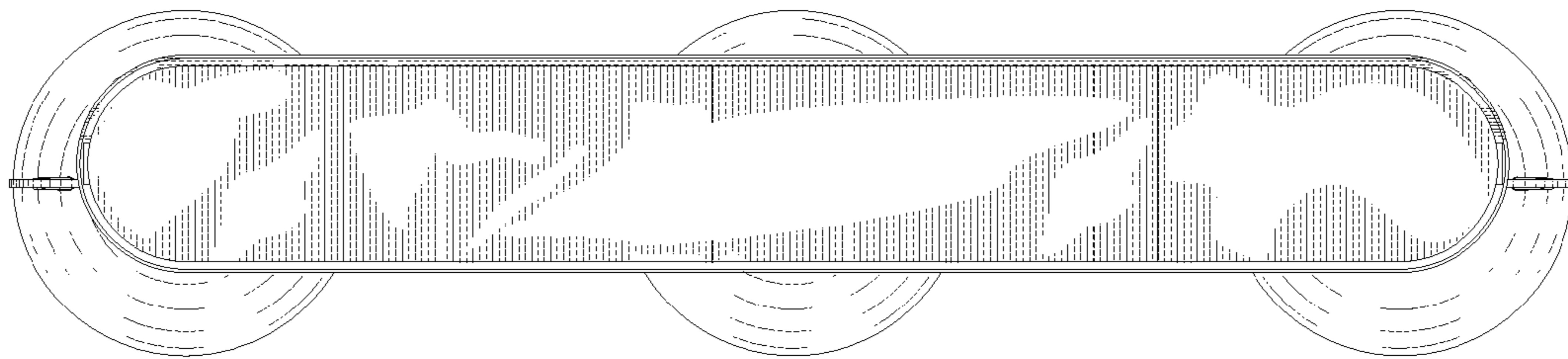


FIG. 6

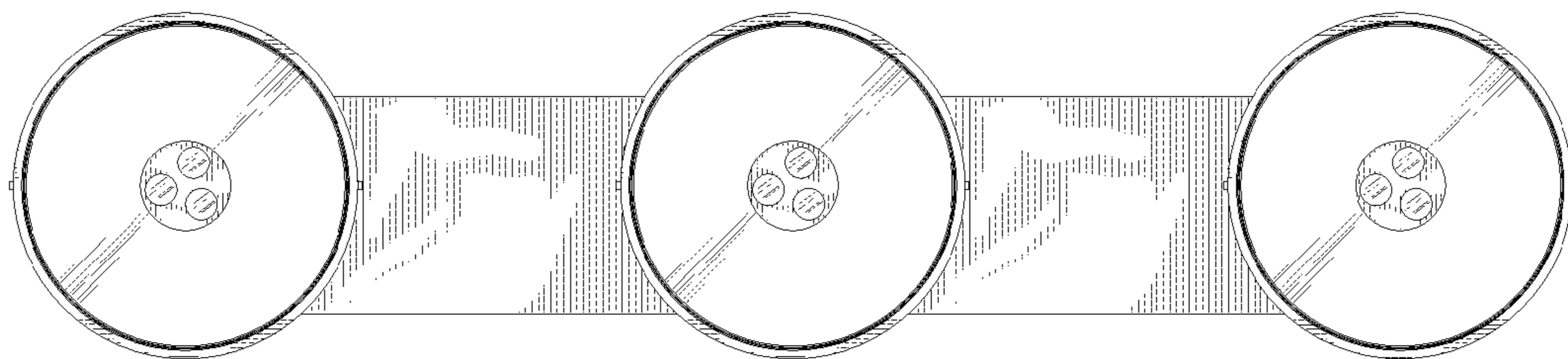


FIG. 7