



US00D644365S

(12) **United States Design Patent**
Yuen

(10) **Patent No.:** **US D644,365 S**

(45) **Date of Patent:** **** Aug. 30, 2011**

(54) **LED HANDHELD SPOTLIGHT**

(75) **Inventor:** **Se Kit Yuen**, Kowloon (HK)

(73) **Assignee:** **Jonh Manufacturing Ltd.**, Kowloon (HK)

(**) **Term:** **14 Years**

(21) **Appl. No.:** **29/379,651**

(22) **Filed:** **Nov. 22, 2010**

(30) **Foreign Application Priority Data**

Sep. 14, 2010 (HK) 1001656

(51) **LOC (9) Cl.** **26-02**

(52) **U.S. Cl.** **D26/49**

(58) **Field of Classification Search** D26/37,
D26/38, 46, 49, 50, 48; 362/157, 158, 183,
362/194-199, 202-208, 184

See application file for complete search history.

(56) **References Cited**

U.S. PATENT DOCUMENTS

D188,288 S *	6/1960	Hansen et al.	D26/49
D433,171 S *	10/2000	Petterson et al.	D26/49
D536,117 S *	1/2007	Krieger et al.	D26/49
D549,376 S *	8/2007	Shiu et al.	D26/49
D565,768 S *	4/2008	Shiu	D26/49
D566,314 S *	4/2008	Jen	D26/49

D570,511 S *	6/2008	Shiu	D26/49
D577,452 S *	9/2008	Shiu	D26/49
D577,845 S *	9/2008	Shiu	D26/49
D579,595 S *	10/2008	Shiu	D26/49
D595,439 S *	6/2009	Haight et al.	D26/49
D608,481 S *	1/2010	Yang	D26/49
D629,541 S *	12/2010	Riley	D26/49
D629,545 S *	12/2010	Deguglimo et al.	D26/49

* cited by examiner

Primary Examiner — Ian Simmons

Assistant Examiner — Carissa C Fitts

(74) *Attorney, Agent, or Firm* — Intellectual Property Law Group, LLP; Juneko Jackson

(57) **CLAIM**

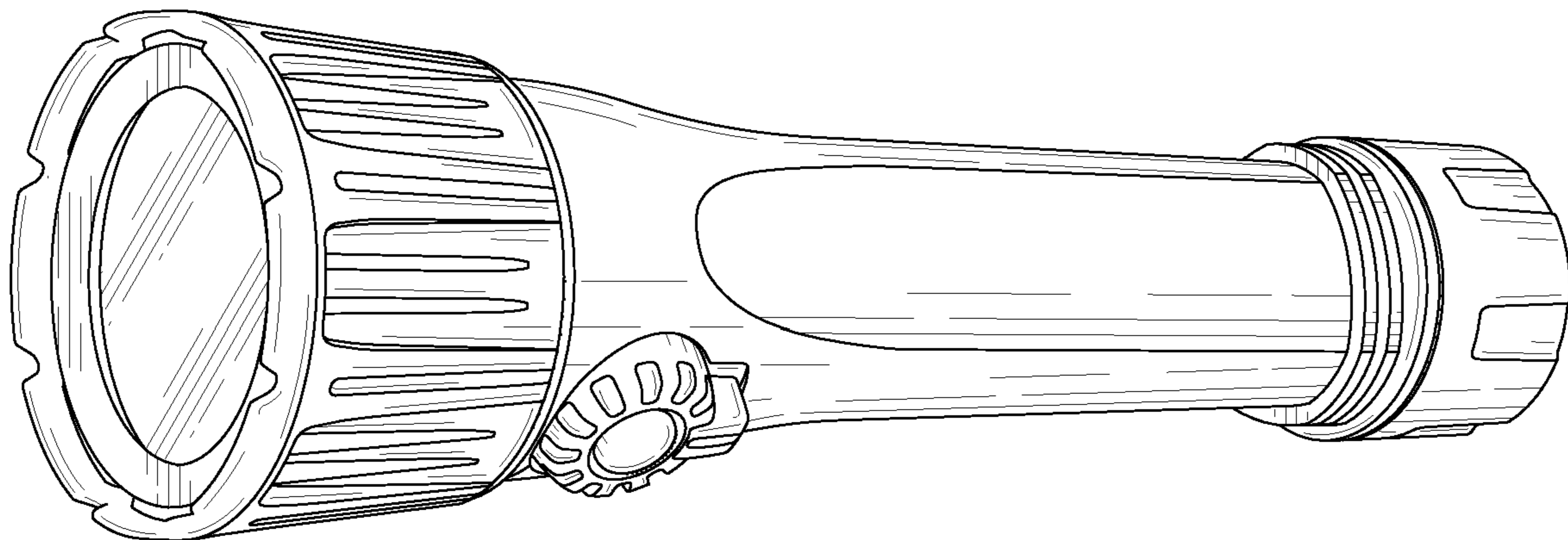
The ornamental design for an LED handheld spotlight, as shown and described.

DESCRIPTION

FIG. 1 is a front, top perspective view of LED handheld spotlight is embodying my new design;
FIG. 2 is a rear, bottom perspective view thereof;
FIG. 3 is a front elevational view thereof;
FIG. 4 is a rear elevational view thereof;
FIG. 5 is a right side elevational view of FIG. 4;
FIG. 6 is a top plan view thereof;
FIG. 7 is a left side elevational view thereof; and,
FIG. 8 is a bottom plan view thereof.

The broken line showing is for environmental purposes only and forms no part of the claimed design.

1 Claim, 3 Drawing Sheets



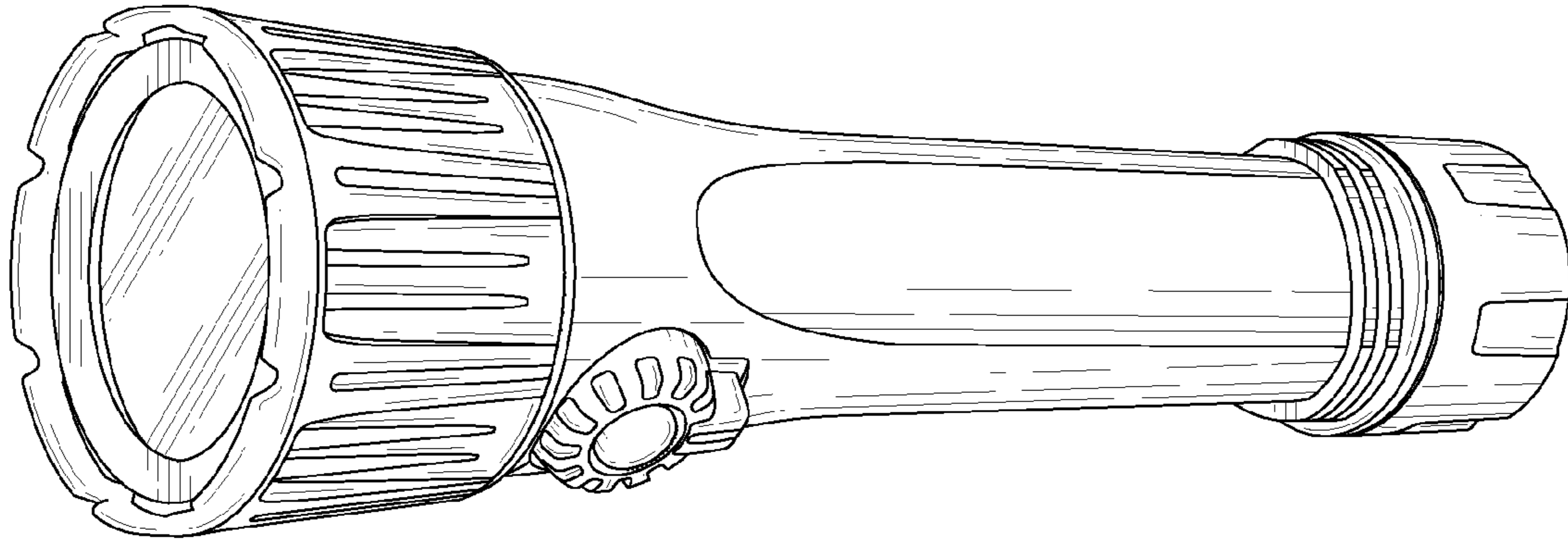


FIG. 1

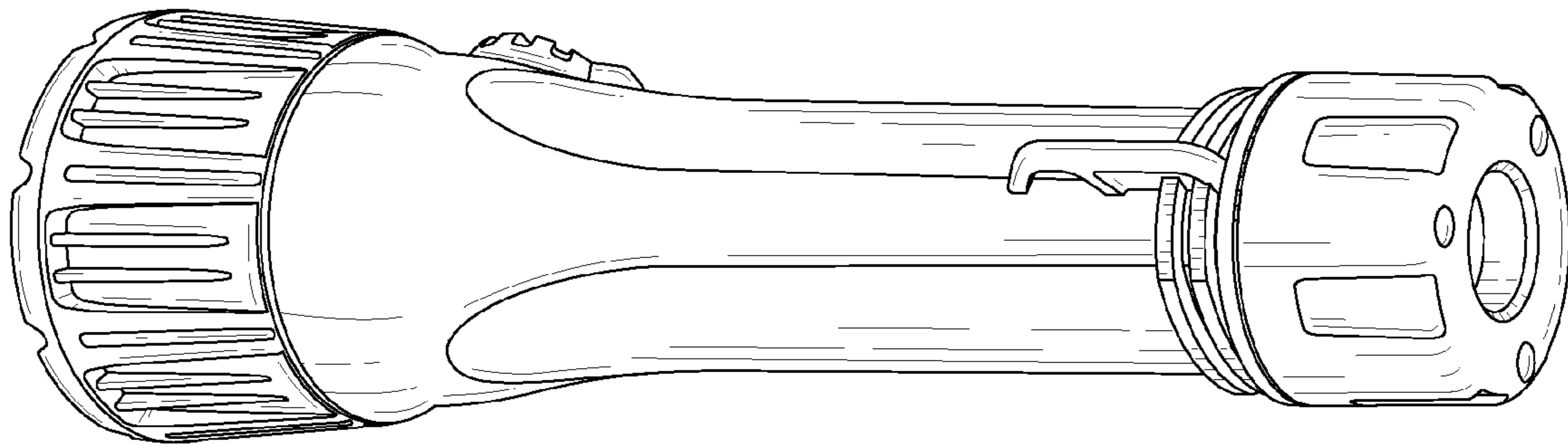


FIG. 2

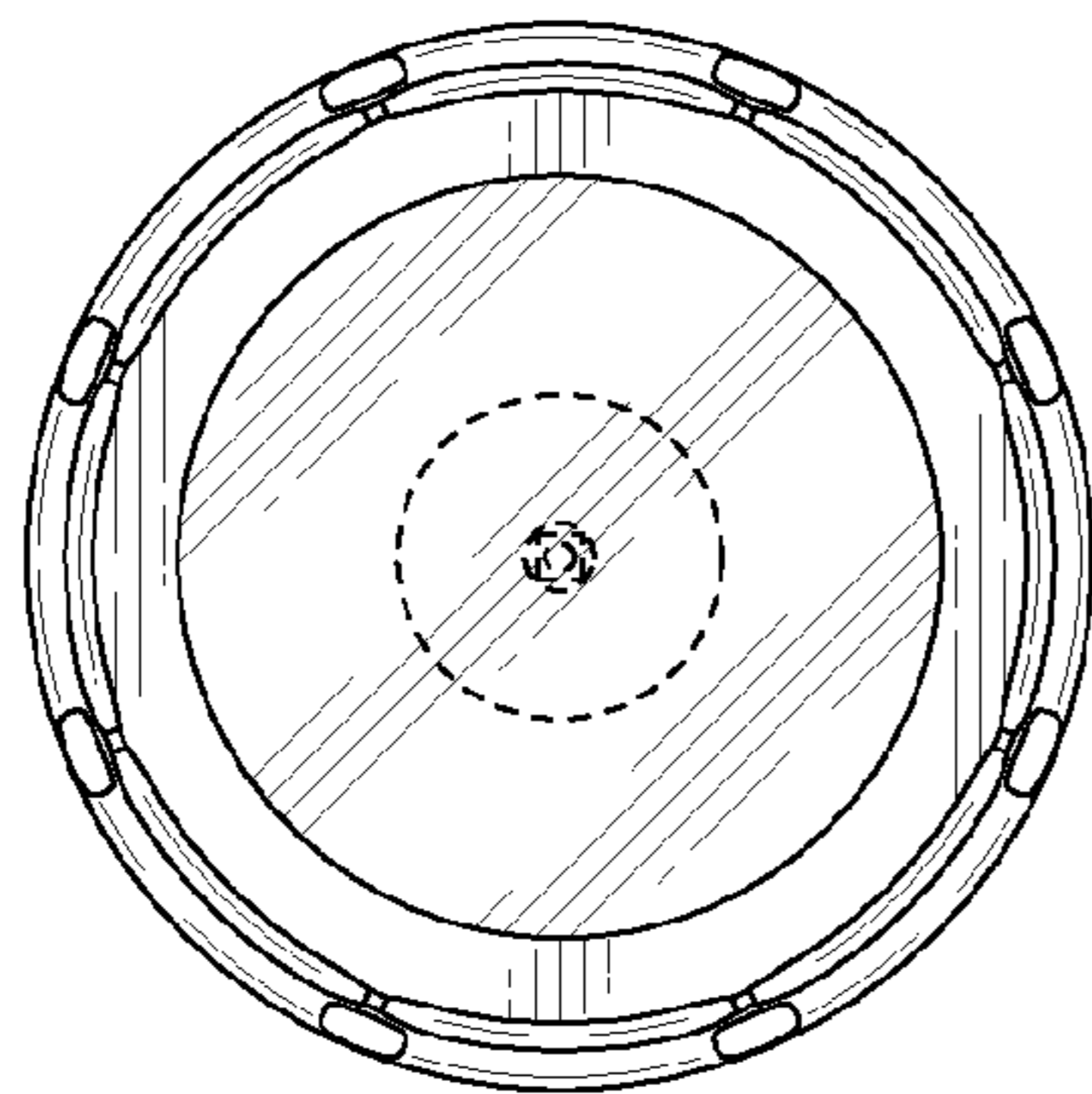


FIG. 3

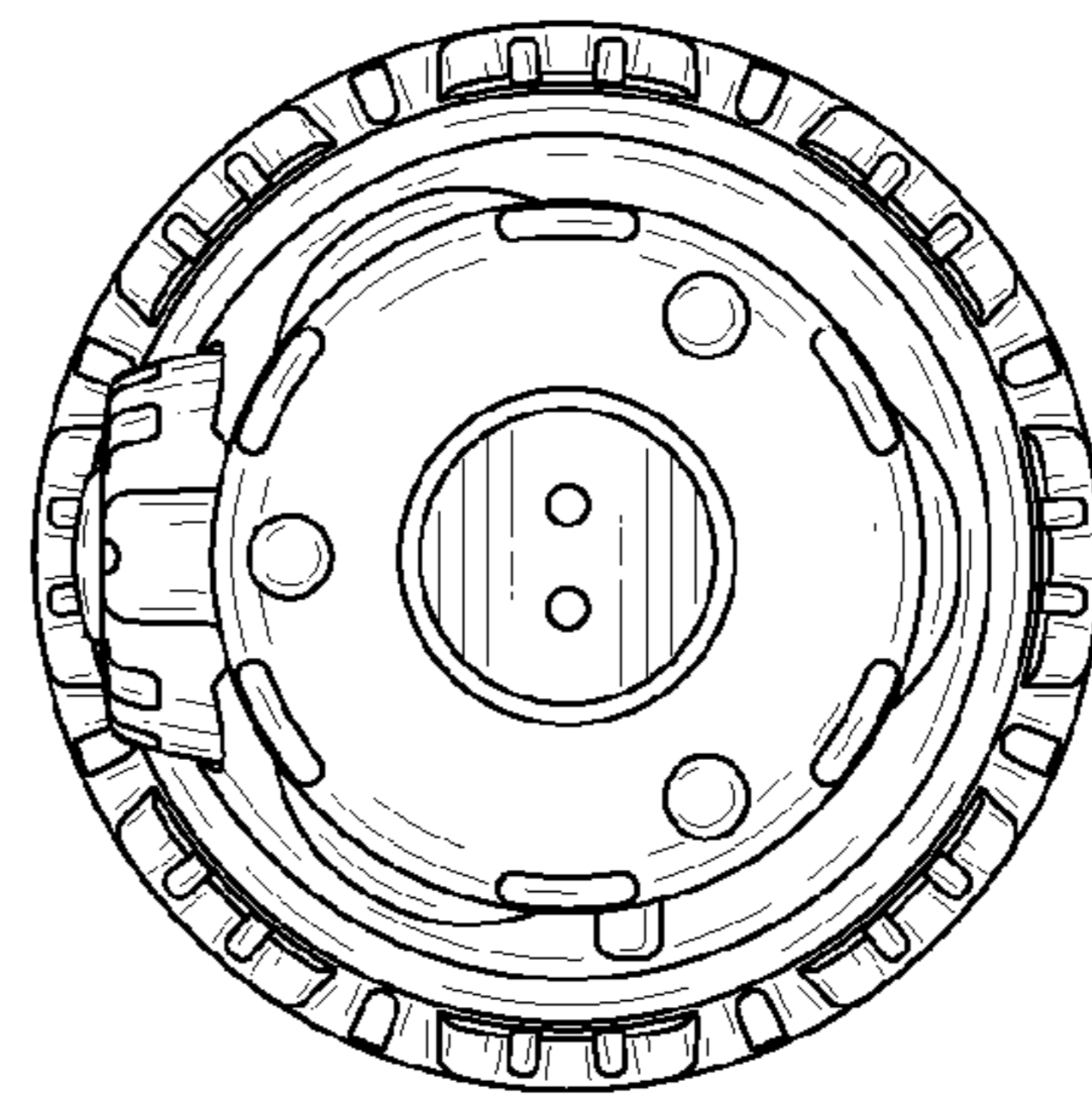


FIG. 4



FIG. 5



FIG. 6



FIG. 7



FIG. 8