



US00D644364S

(12) **United States Design Patent**
Chang et al.

(10) **Patent No.:** **US D644,364 S**

(45) **Date of Patent:** **** Aug. 30, 2011**

(54) **REAR COMBINATION LAMP FOR
AUTOMOBILE**

D560,292 S * 1/2008 Sato D26/28
D561,357 S * 2/2008 Leclercq D26/28
D570,015 S * 5/2008 Hsu D26/28

(75) Inventors: **Hyung Uk Chang**, Gyeonggi-do (KR);
Ji Hoon Kim, Gyeonggi-do (KR)

* cited by examiner

(73) Assignee: **Kia Motors Corporation**, Seoul (KR)

Primary Examiner — Marcus Jackson

(**) Term: **14 Years**

(74) *Attorney, Agent, or Firm* — Edwards Angell Palmer &
Dodge LLP; Kongsik Kim

(21) Appl. No.: **29/382,241**

(57) **CLAIM**

The ornamental design for rear combination lamp for auto-
mobile, as shown and described.

(22) Filed: **Dec. 30, 2010**

DESCRIPTION

(30) **Foreign Application Priority Data**

Dec. 13, 2010 (KR) 30-2010-0053888

FIG. 1 is a front view of the rear combination lamp for
automobile according to the present invention.

(51) **LOC (9) Cl.** **26-06**

FIG. 2 is a rear view of the rear combination lamp for auto-
mobile of FIG. 1.

(52) **U.S. Cl.** **D26/28**

FIG. 3 is a top view of the rear combination lamp for auto-
mobile of FIG. 2.

(58) **Field of Classification Search** D26/28-36;
362/459-468, 475-478, 485-487

FIG. 4 is a bottom view of the rear combination lamp for
automobile of FIG. 3.

See application file for complete search history.

FIG. 5 is a right side view of the rear combination lamp for
automobile of FIG. 4.

(56) **References Cited**

U.S. PATENT DOCUMENTS

D549,363 S * 8/2007 Pfeiffer D26/28
D552,769 S * 10/2007 Leclercq D26/28
D553,268 S * 10/2007 Pfeiffer D26/28

FIG. 6 is a left side view of the rear combination lamp for
automobile of FIG. 5; and,

FIG. 7 is a perspective view of the rear combination lamp for
automobile of FIG. 6.

1 Claim, 5 Drawing Sheets

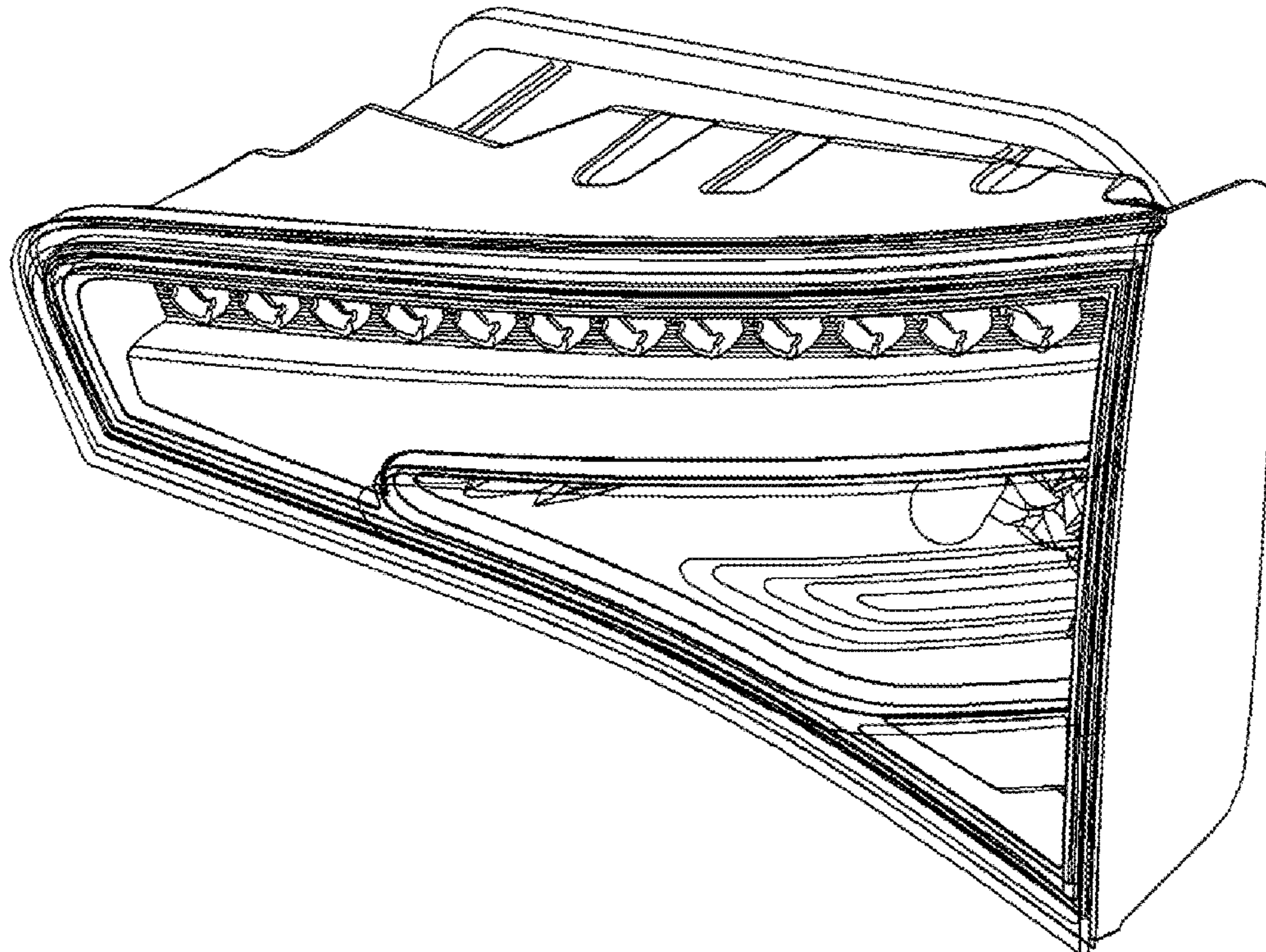


FIG. 1

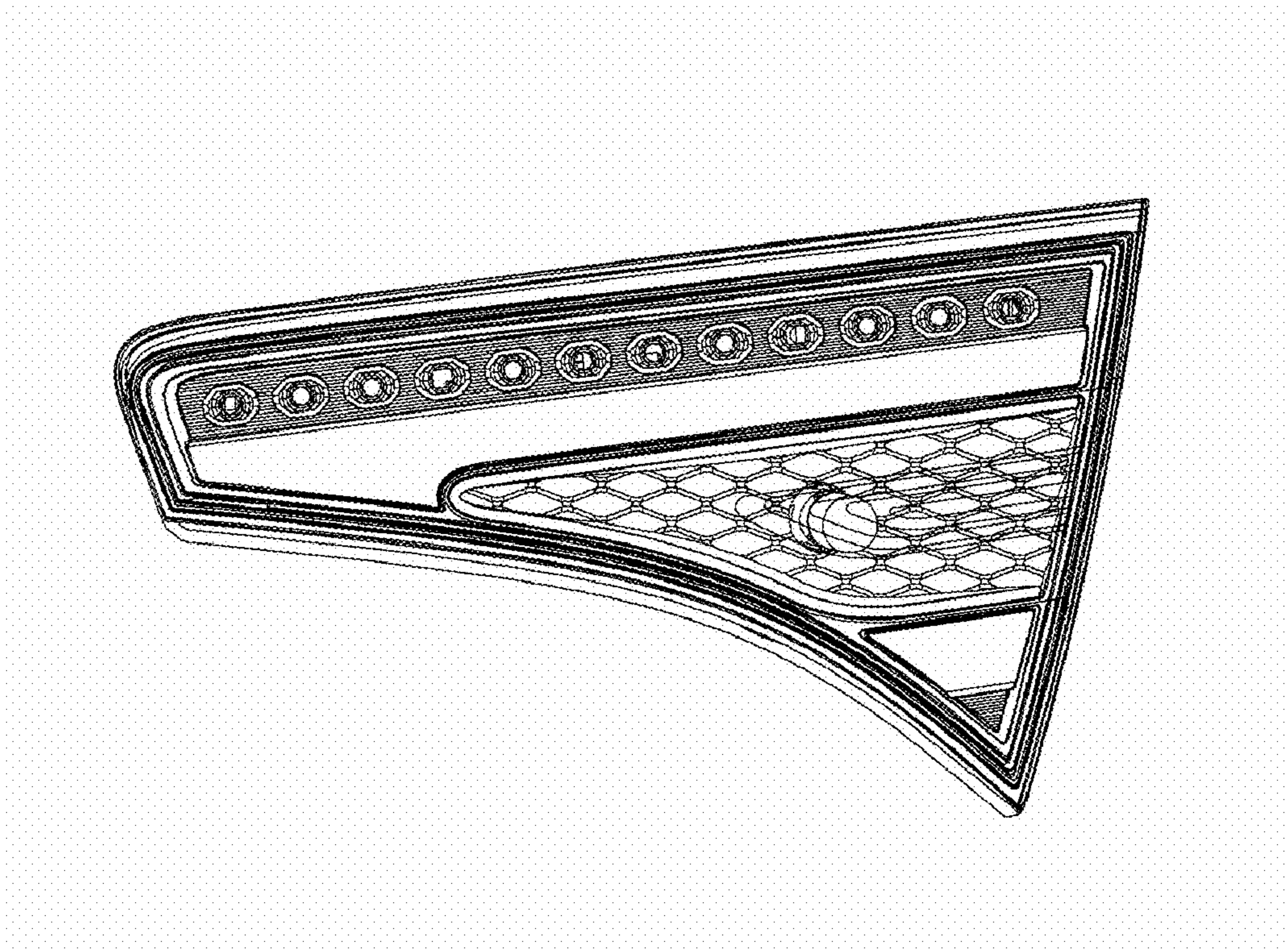


FIG. 2

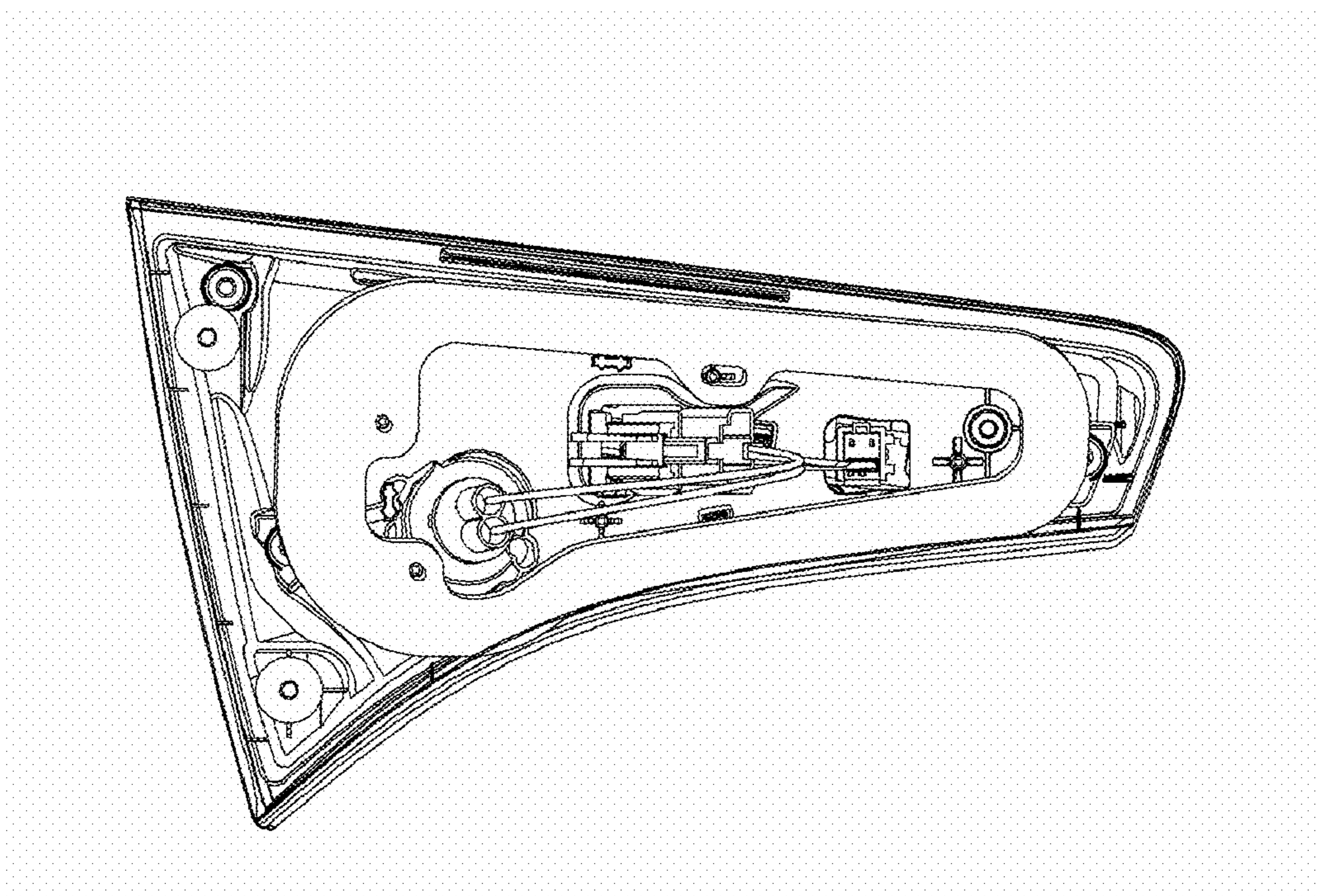


FIG. 3

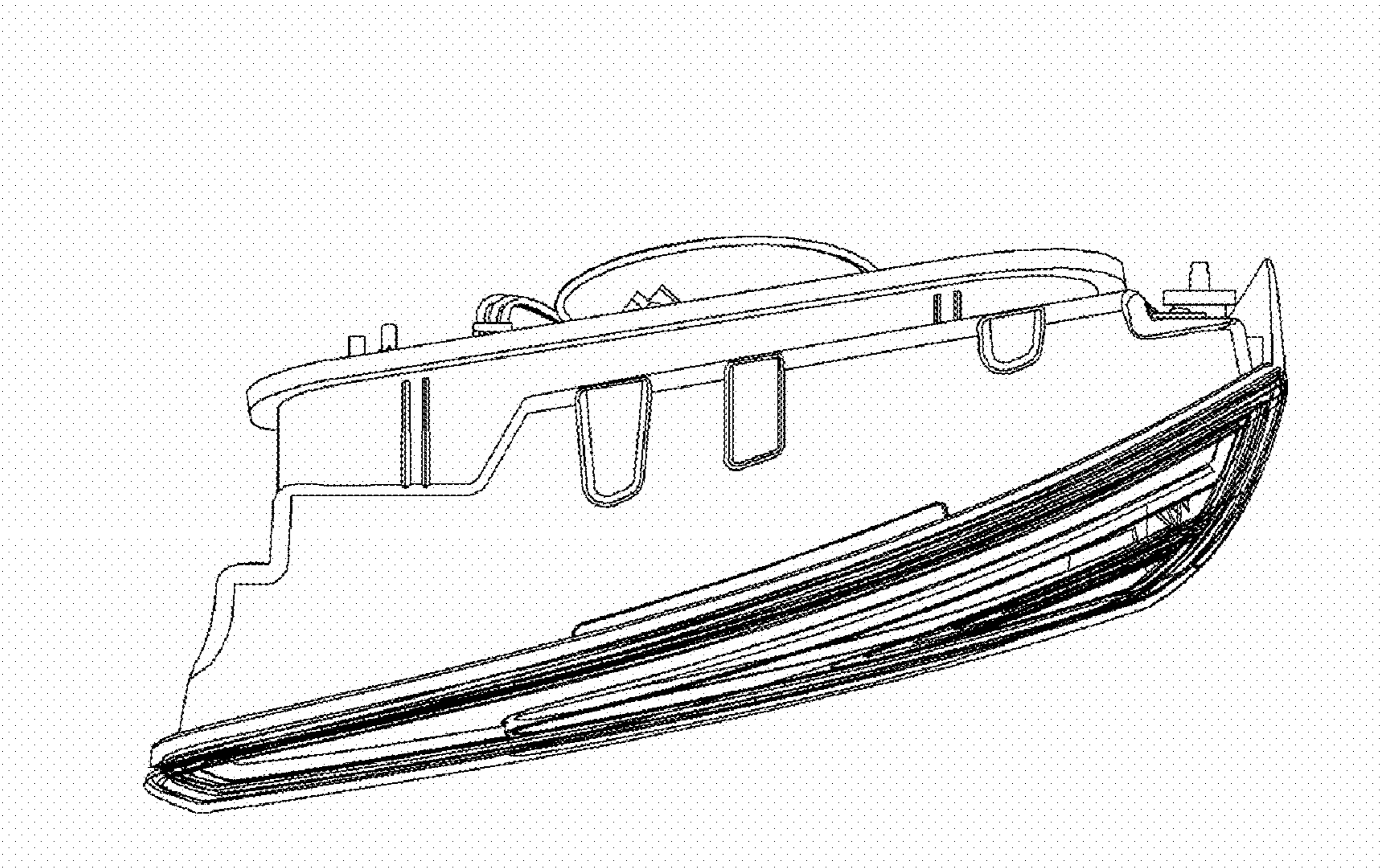


FIG. 4

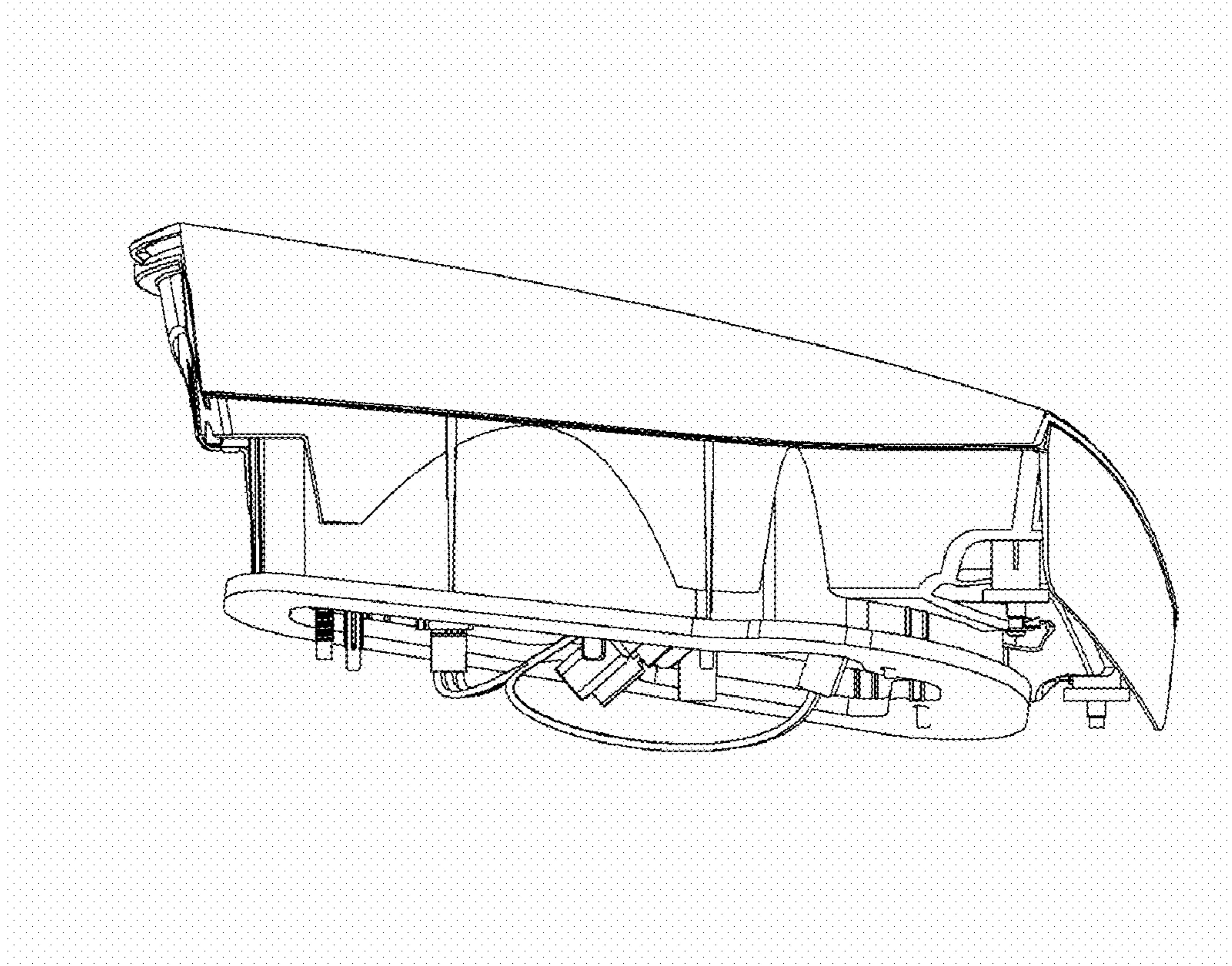


FIG. 5

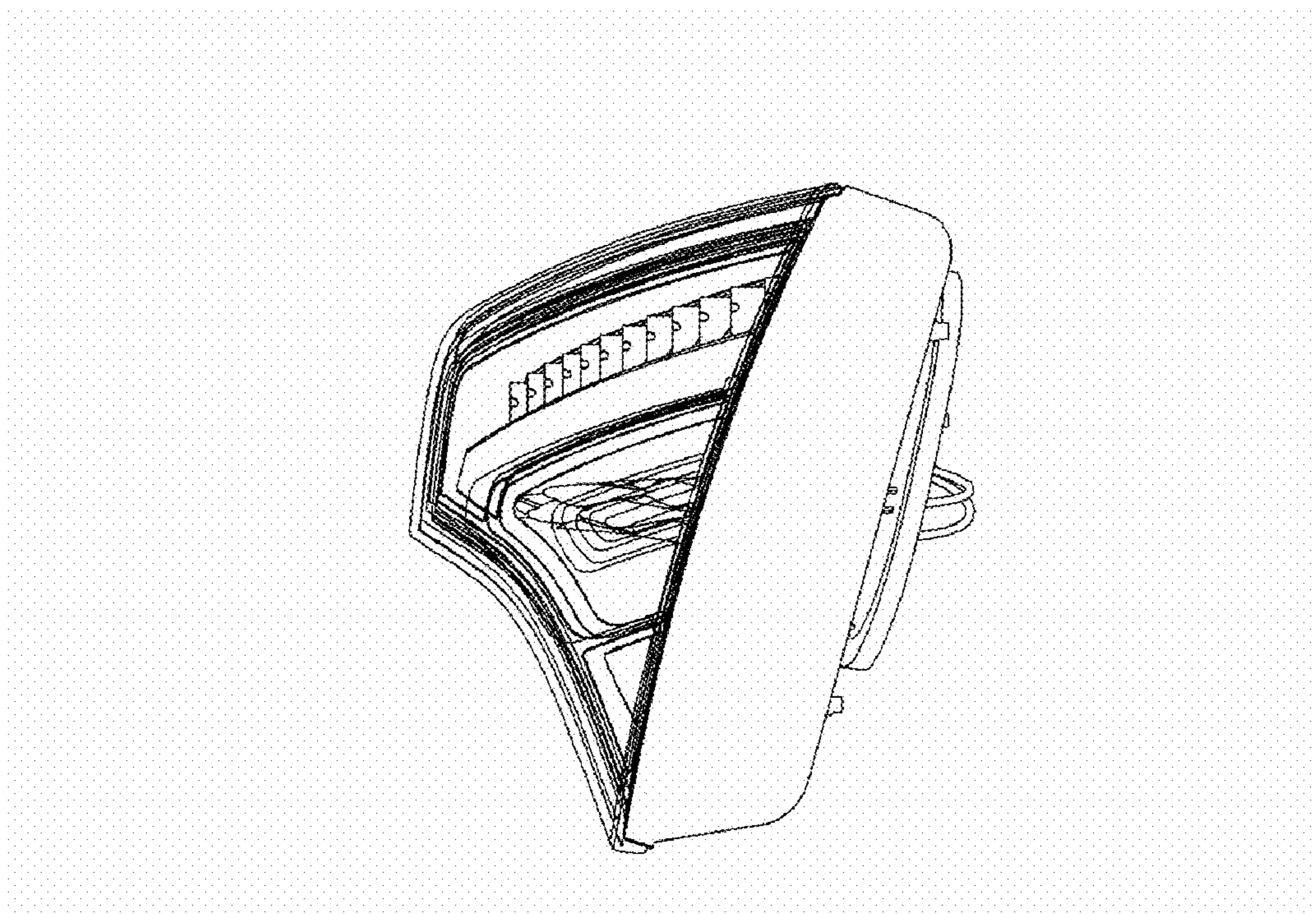


FIG. 6

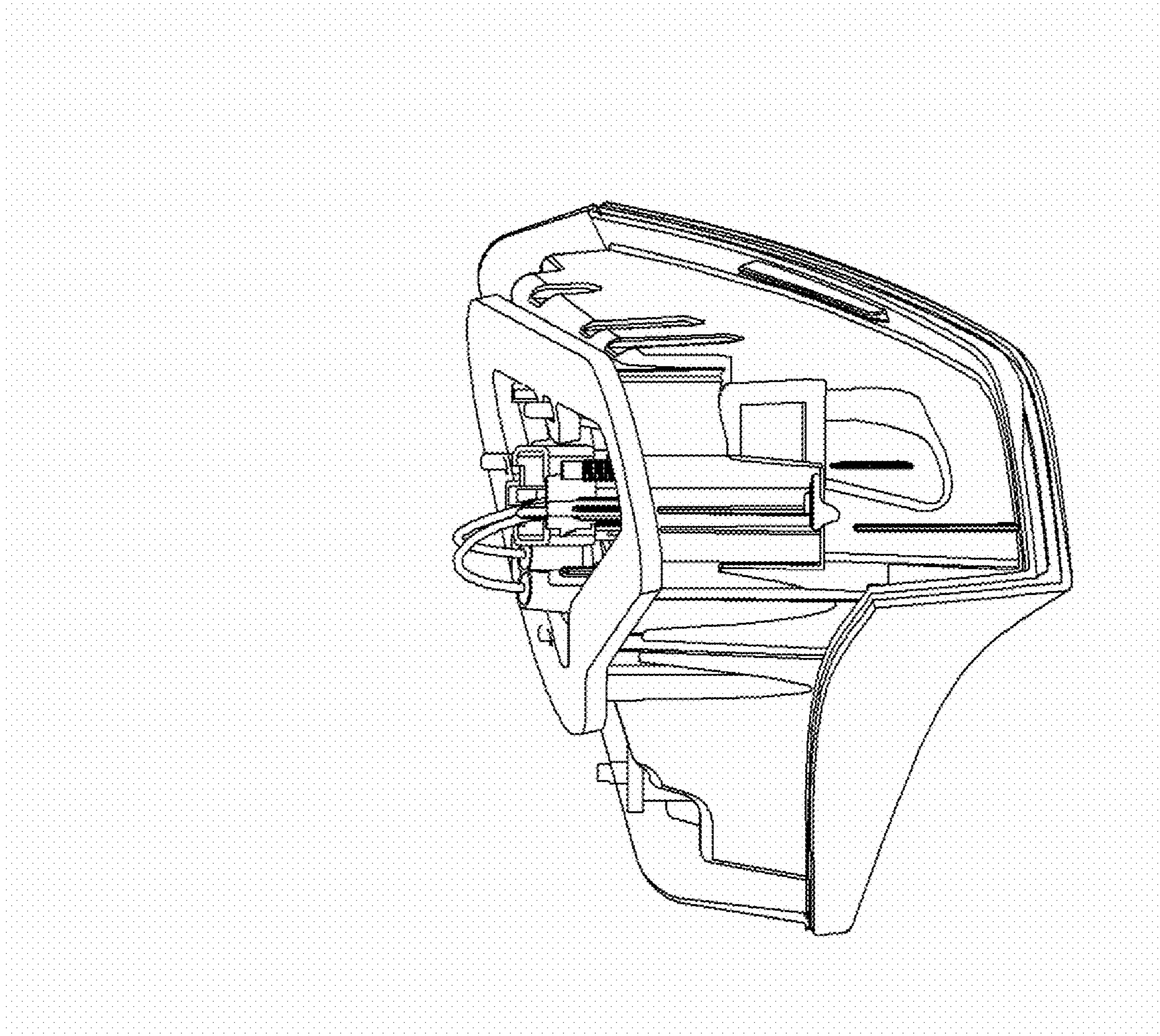


FIG. 7

