



US00D644363S

(12) **United States Design Patent**
Antoniadis et al.

(10) **Patent No.:** **US D644,363 S**

(45) **Date of Patent:** **** Aug. 30, 2011**

(54) **TAILLIGHT FOR A VEHICLE**

D570,015 S * 5/2008 Hsu D26/28
D592,327 S 5/2009 Futschik et al.
D620,157 S * 7/2010 Frenzel et al. D26/28

(75) Inventors: **Apostolos Antoniadis**, Sindelfingen (DE); **Thomas Binder**, Stuttgart (DE); **Hans-Dieter Futschik**, Gechingen (DE); **Stefan Handt**, Stuttgart (DE)

* cited by examiner

Primary Examiner — Marcus Jackson

(74) *Attorney, Agent, or Firm* — Crowell & Moring LLP

(73) Assignee: **Daimler AG**, Stuttgart (DE)

(57) **CLAIM**

(**) Term: **14 Years**

The ornamental design for a taillight for a vehicle, as shown and described.

(21) Appl. No.: **29/311,649**

DESCRIPTION

(22) Filed: **May 15, 2009**

This application has subject matter related to the following co-pending U.S. patent applications:

(30) **Foreign Application Priority Data**

Nov. 17, 2008 (DE) 402008005507

Application Ser. No. 29/311,765, filed Jun. 15, 2009 and entitled "Vehicle and Vehicle Shaped Articles;" and Application Ser. No. 29/311,766, filed Jun. 15, 2009 and entitled "Rear Portion of a Vehicle and Vehicle Shaped Articles."

(51) **LOC (9) Cl.** **26-06**

(52) **U.S. Cl.** **D26/28**

(58) **Field of Classification Search** D26/28-36; 362/459-468, 475-478, 485-487

FIG. 1 is a left perspective view of a first embodiment of a taillight for a vehicle according to our design;

See application file for complete search history.

FIG. 2 is a front view thereof; and,

FIG. 3 is a left side view thereof.

(56) **References Cited**

U.S. PATENT DOCUMENTS

D523,976 S 6/2006 Pfeiffer et al.
D549,363 S * 8/2007 Pfeiffer D26/28
D553,268 S * 10/2007 Pfeiffer D26/28
D553,269 S * 10/2007 Pfeiffer et al. D26/28
D560,292 S * 1/2008 Sato D26/28
D561,357 S * 2/2008 Leclercq D26/28
D565,211 S * 3/2008 Haller et al. D26/28

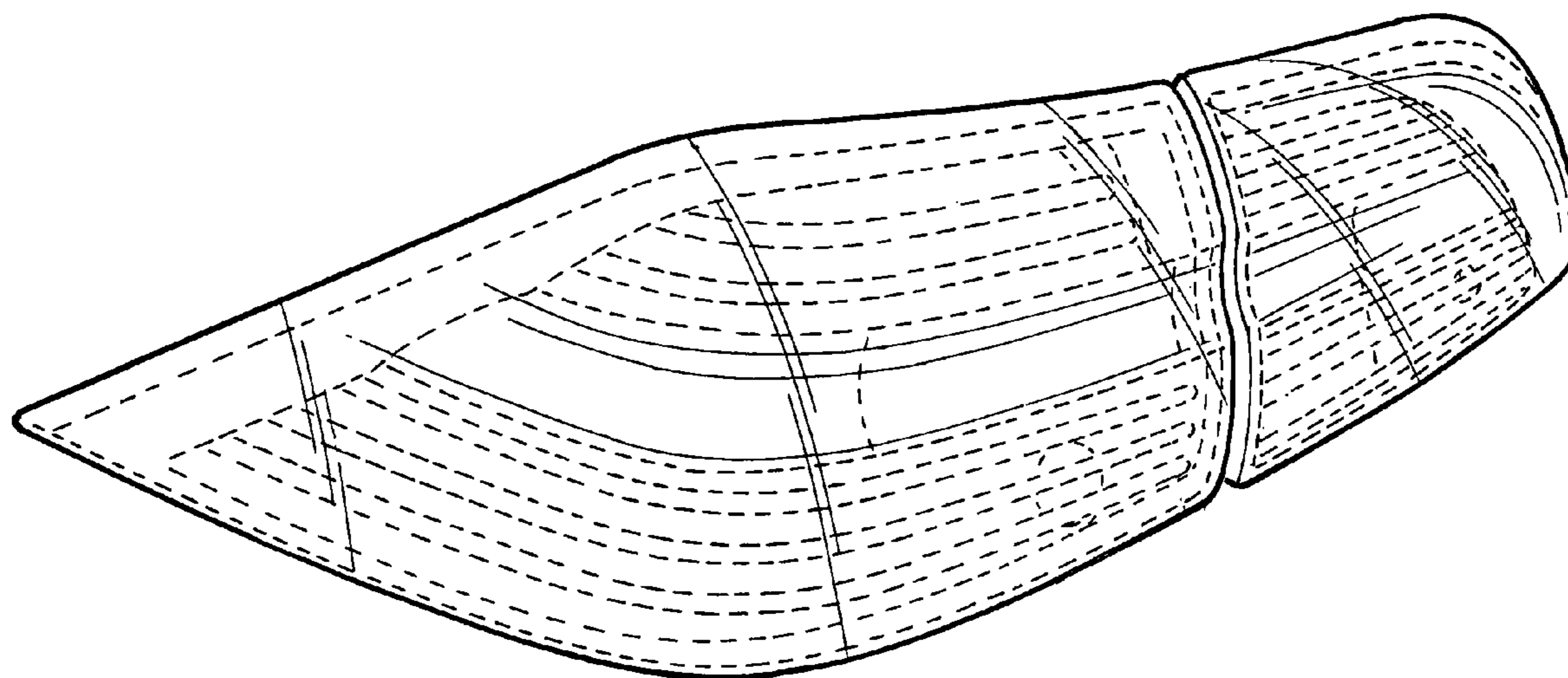
FIG. 4 is a right side perspective view thereof according to my design, with the taillight for a vehicle for the opposite side of the vehicle being depicted in the first embodiment.

FIG. 5 is a front view thereof; and,

FIG. 6 is a right side view thereof.

The broken lines are for illustrative purposes only and form no part of the claimed design.

1 Claim, 4 Drawing Sheets



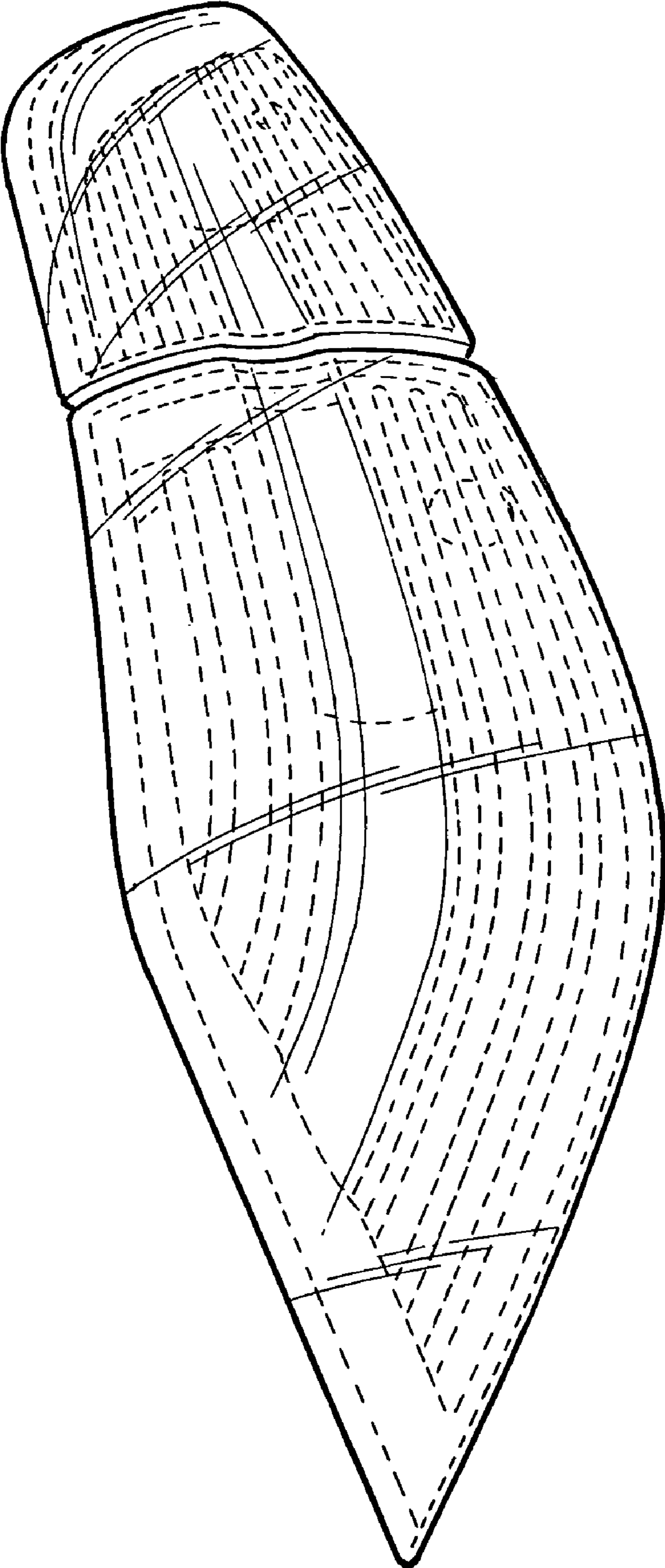


FIG. 1

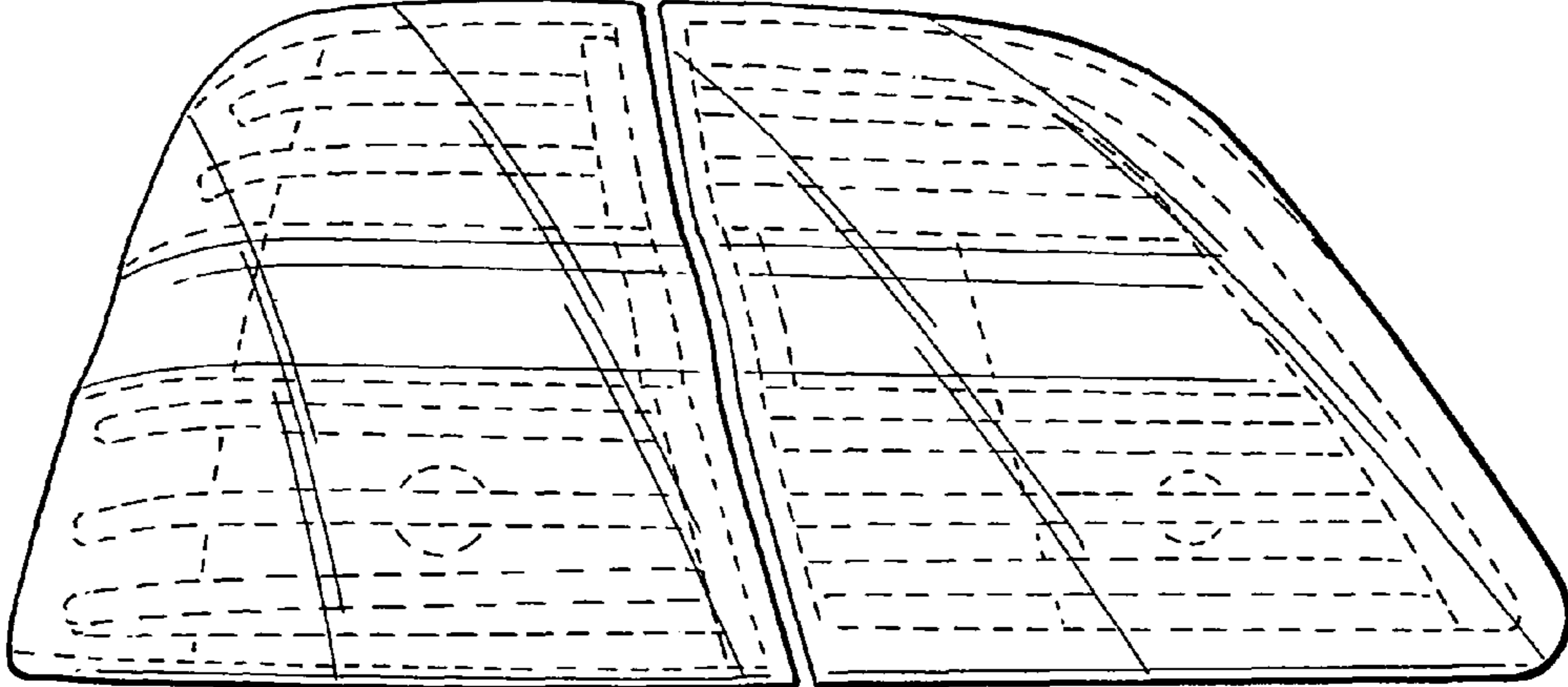


FIG. 2

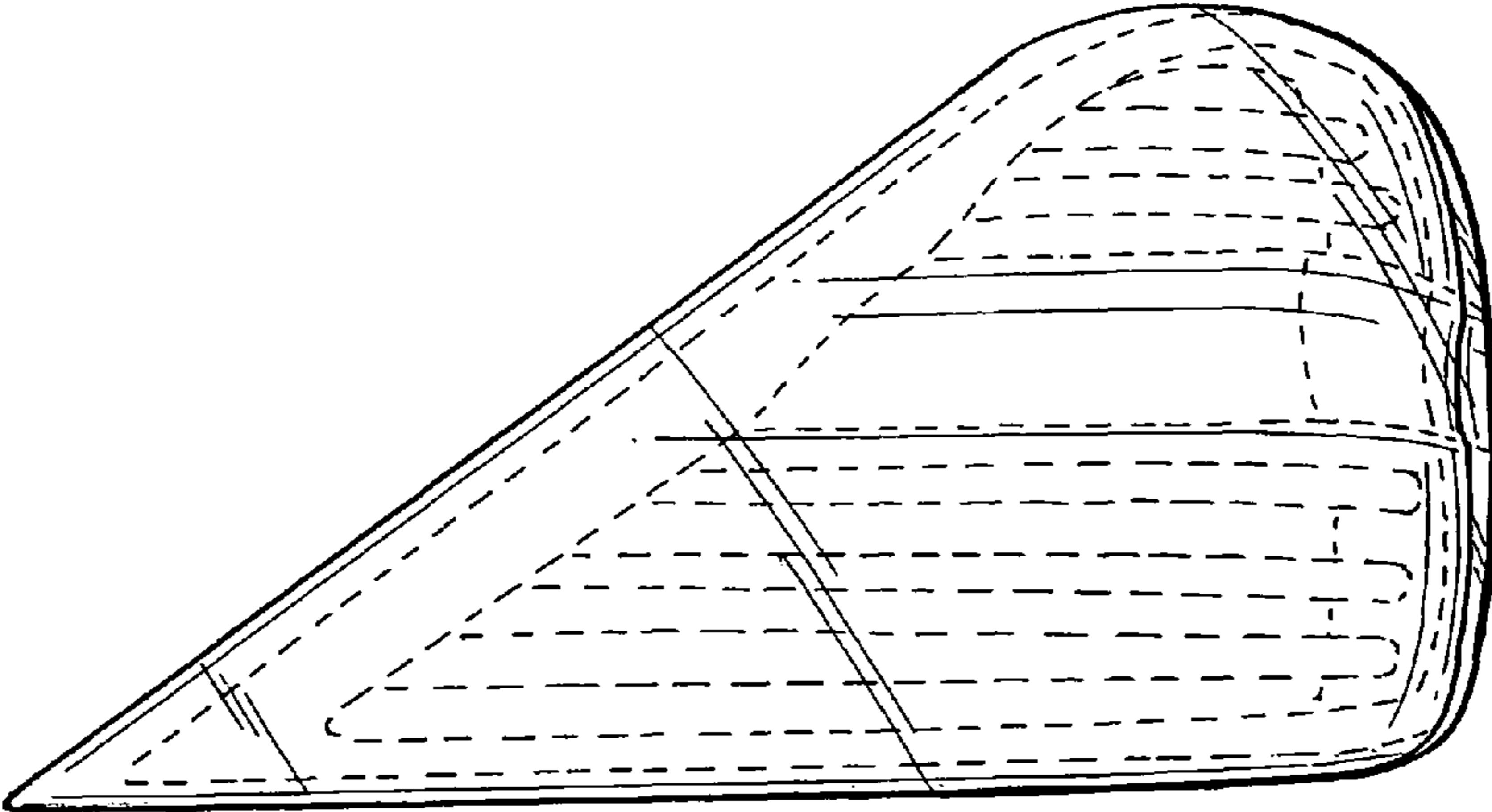


FIG. 3

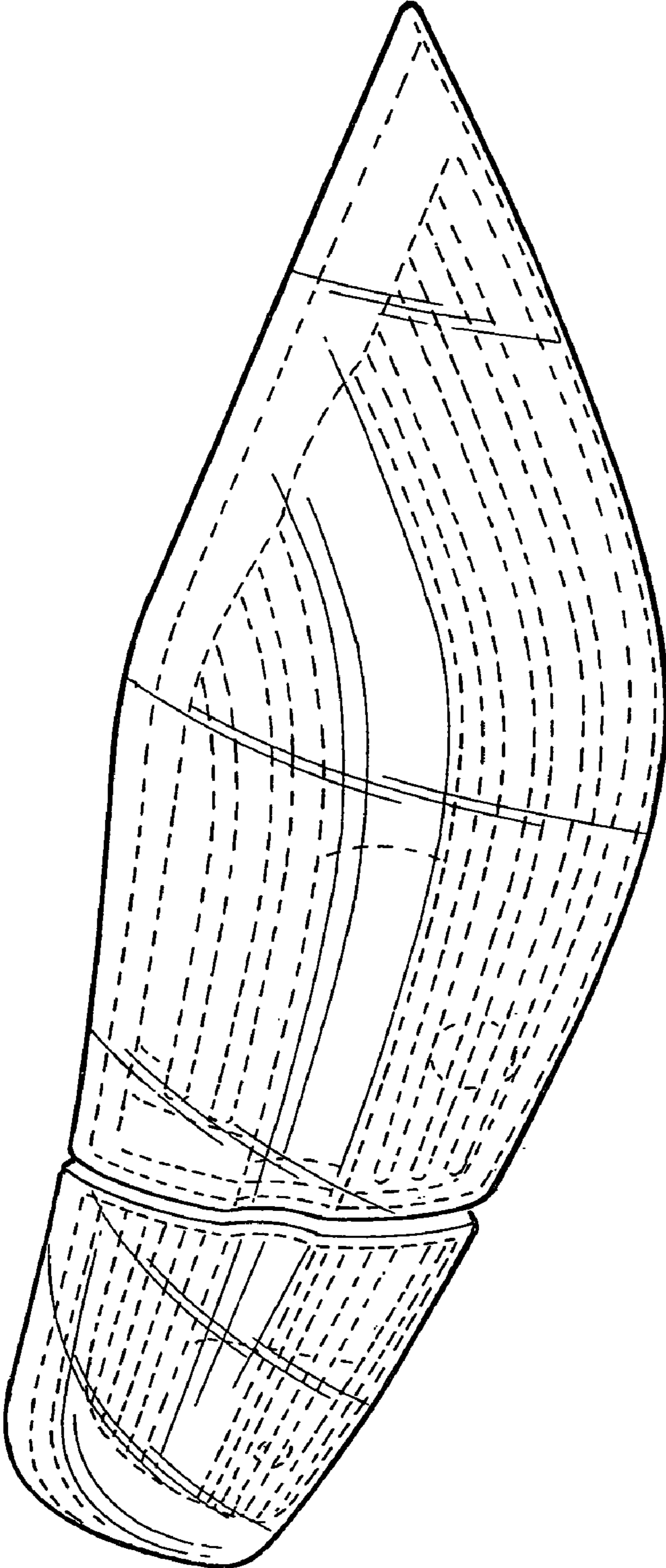


FIG. 4

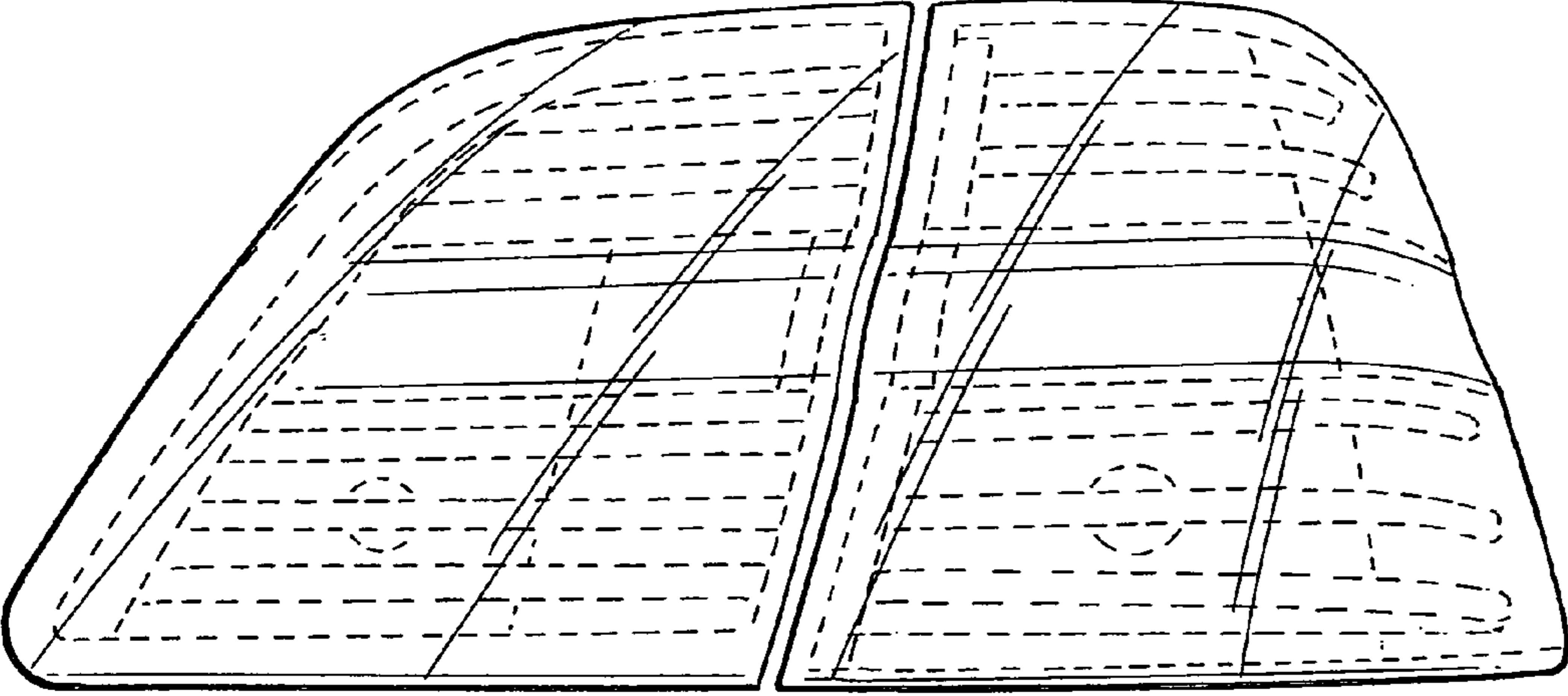


FIG. 5

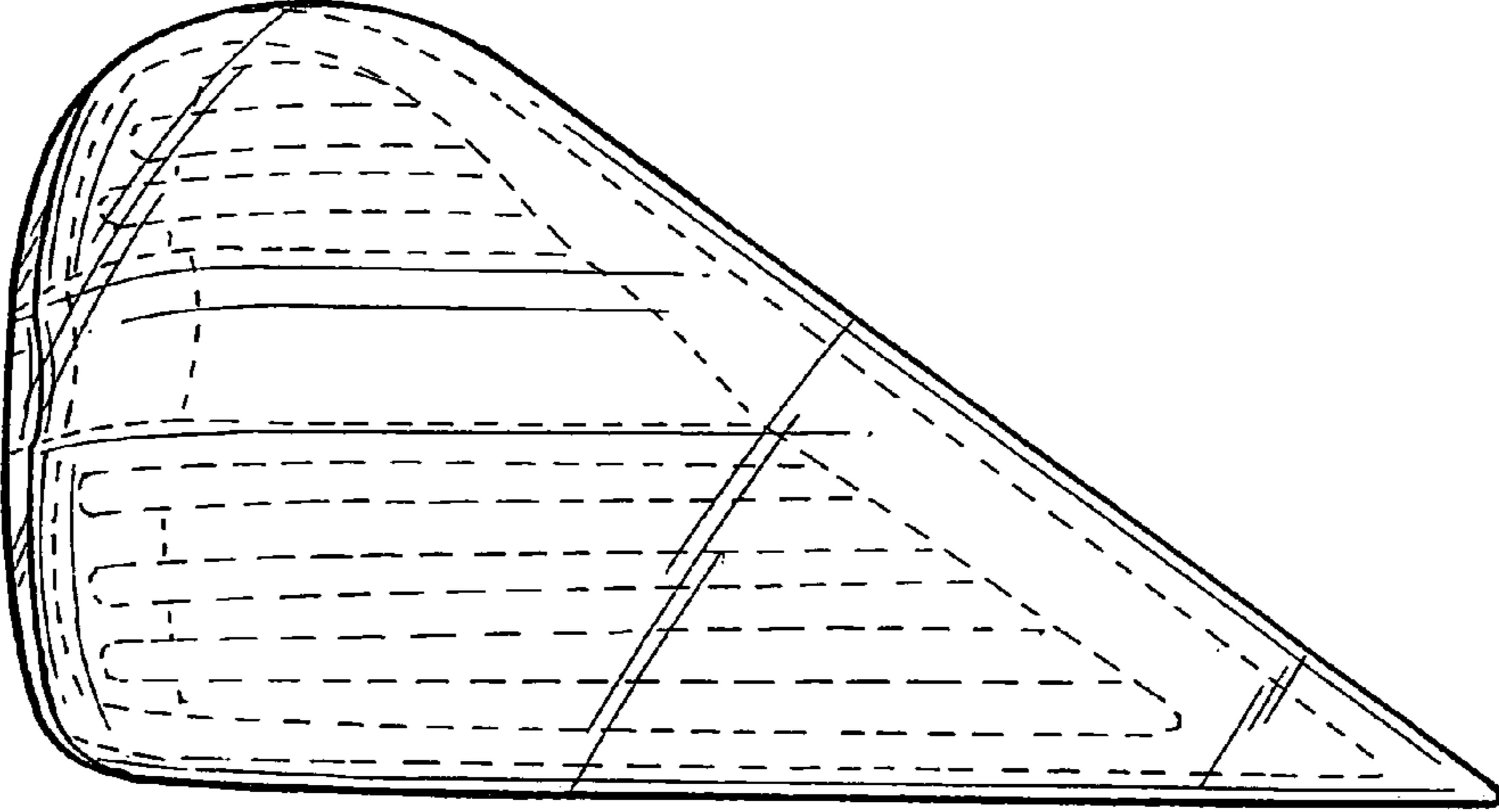


FIG. 6