



US00D644362S

(12) **United States Design Patent**
Kingston

(10) **Patent No.:** **US D644,362 S**

(45) **Date of Patent:** **** Aug. 30, 2011**

(54) **PATH LIGHT DEVICE**

(75) **Inventor:** **Ronald J. Kingston**, Syracuse, NY (US)

(73) **Assignee:** **Eveready Battery Company, Inc.**, St. Louis, MO (US)

(**) **Term:** **14 Years**

(21) **Appl. No.:** **29/383,847**

(22) **Filed:** **Jan. 24, 2011**

(51) **LOC (9) Cl.** **26-05**

(52) **U.S. Cl.** **D26/26**

(58) **Field of Classification Search** D26/26,
D26/24, 37, 38, 57, 73, 94, 98, 101; D10/110,
D10/114; D22/120, 122, 123; D21/315,
D21/318, 650, 712, 713, 780, 788; D11/119,
D11/137, 139, 144, 162; 362/640, 641, 642,
362/643, 644, 652, 653, 657, 658, 659, 563,
362/567, 122, 124, 183, 805, 806
See application file for complete search history.

(56) **References Cited**

U.S. PATENT DOCUMENTS

4,343,032 A	8/1982	Schwartz	
D287,408 S *	12/1986	Gaines	D26/26
D288,967 S	3/1987	Naft	
D291,125 S	7/1987	Fenne	
D303,717 S	9/1989	Korte	
D323,898 S	2/1992	Schwartz	
D343,015 S	1/1994	Yuen	
D347,288 S *	5/1994	Ham	D26/26
D348,111 S	6/1994	Yuen	
D359,575 S	6/1995	How et al.	
D366,127 S *	1/1996	Yuen	D26/26
D376,214 S	12/1996	Pinchuk	
D393,912 S	4/1998	Yuen	
D401,367 S	11/1998	DeLay	
D403,786 S *	1/1999	Lai	D26/24
D409,317 S	5/1999	Yuen	
D417,923 S	12/1999	Chiu	
D425,222 S	5/2000	Yuen	

D426,328 S	6/2000	Yuen	
D426,904 S	6/2000	Simon	
D430,945 S	9/2000	Ham	
D431,660 S	10/2000	Yuen	
D457,667 S *	5/2002	Piegras et al.	D26/26
D457,974 S *	5/2002	Piegras et al.	D26/26
D465,859 S *	11/2002	Lo	D26/26
6,527,400 B2	3/2003	Dickie et al.	
D476,428 S *	6/2003	Stekelenburg	D26/26
D496,476 S	9/2004	Garrity et al.	
D498,009 S	11/2004	Donnelly et al.	
D498,857 S	11/2004	Smith et al.	
D524,457 S *	7/2006	Chan	D26/26
D524,458 S *	7/2006	Chan	D26/26
D536,805 S *	2/2007	Yuen	D26/26
D545,979 S	7/2007	Molenaar et al.	

(Continued)

FOREIGN PATENT DOCUMENTS

CN 2867086 Y 2/2007

(Continued)

Primary Examiner — Angela Lee

(74) *Attorney, Agent, or Firm* — Michael C. Pophal

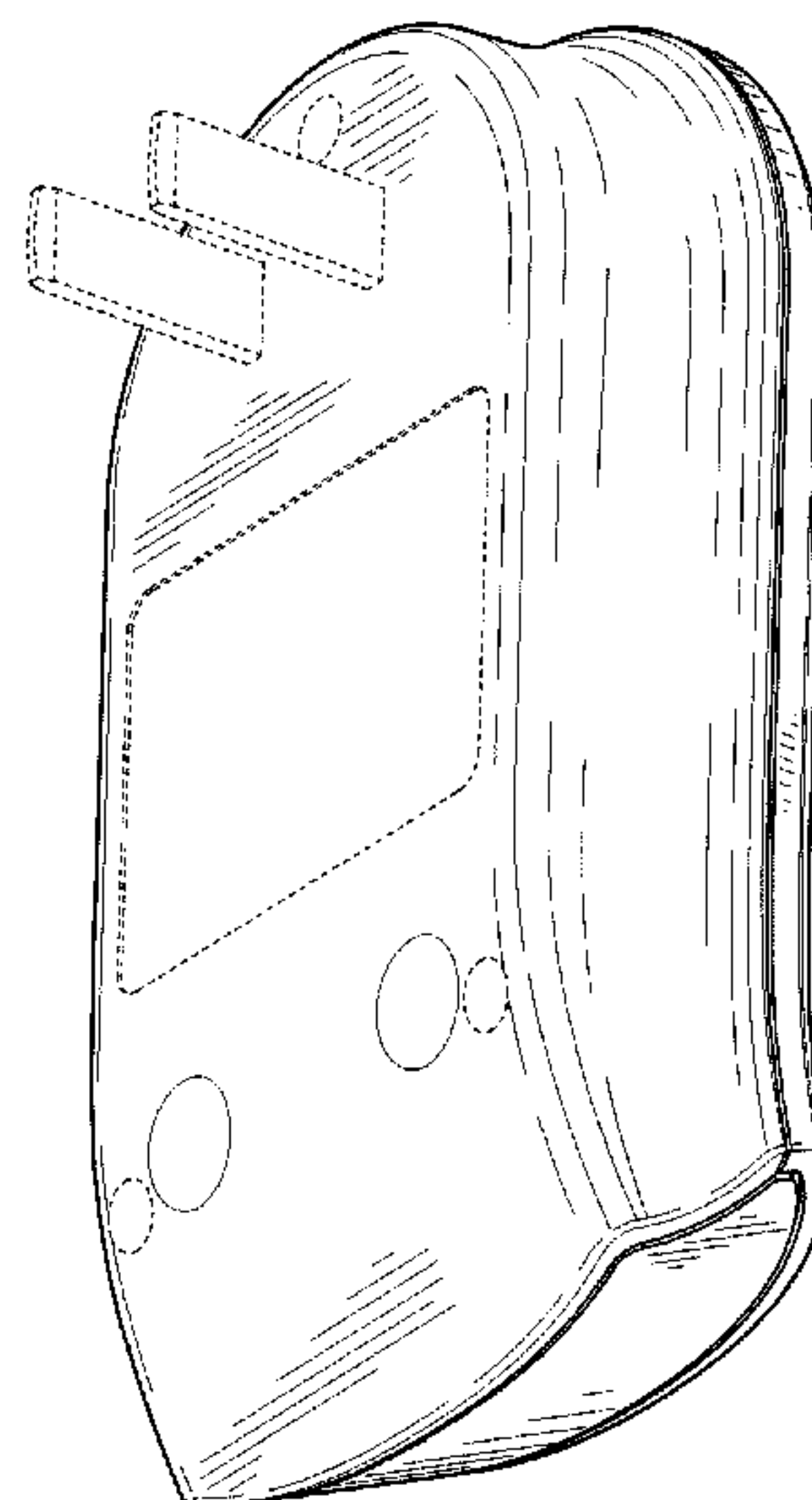
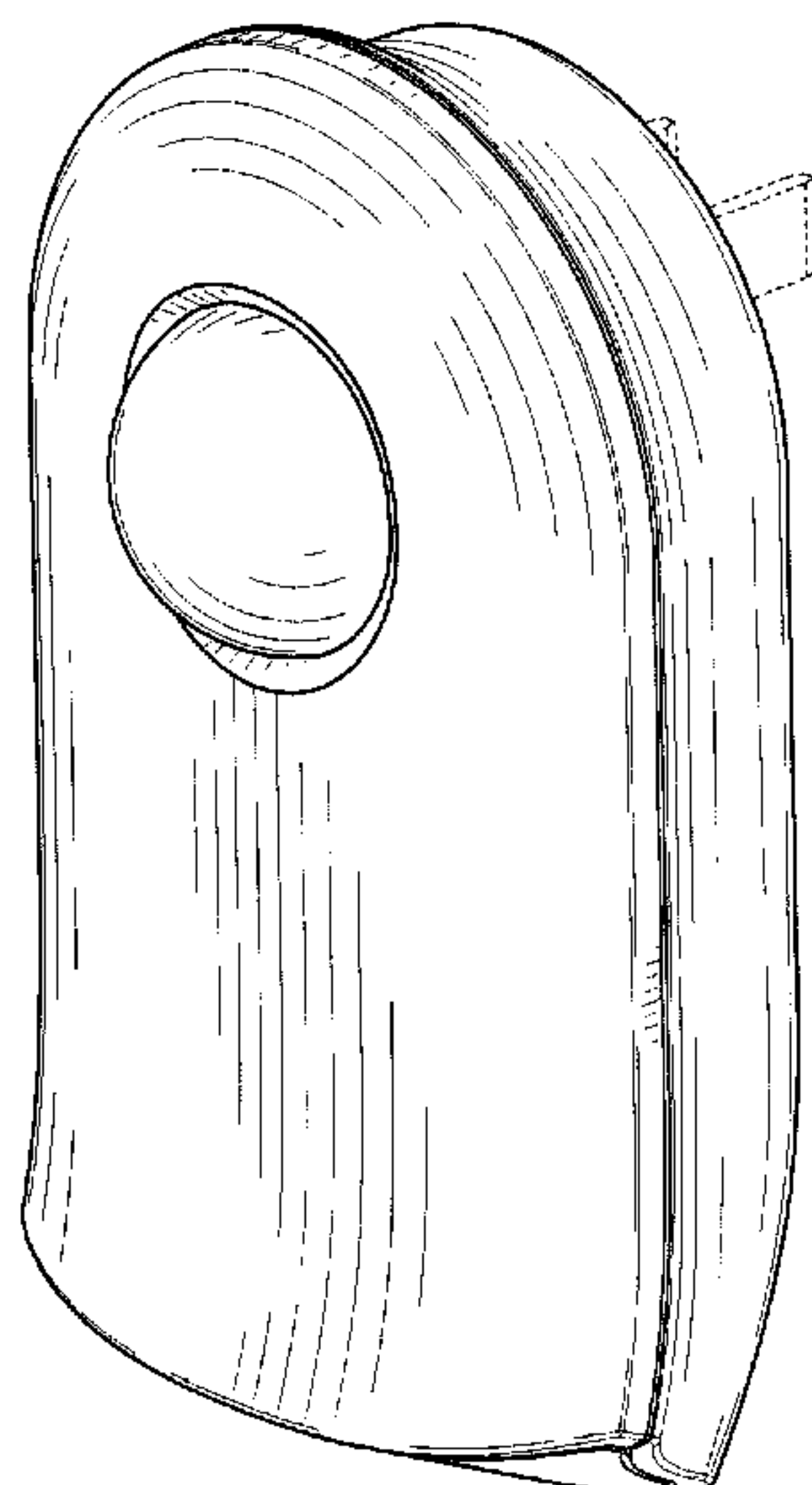
(57) **CLAIM**

I claim the ornamental design for a path light device, as shown and described.

DESCRIPTION

FIG. 1 is a front perspective view of the design.
FIG. 2 is a rear perspective view of the design.
FIG. 3 is a front view of the design.
FIG. 4 is a rear view of the design.
FIG. 5 is a right side view of the design. The left side view is a mirror image of the right side view.
FIG. 6 is a top view of the design; and,
FIG. 7 is a bottom view of the design.
The portions of the path light device shown in broken lines form no part of the claimed design.

1 Claim, 3 Drawing Sheets



US D644,362 S

Page 2

U.S. PATENT DOCUMENTS

7,419,294 B2 9/2008 Lai
D618,830 S * 6/2010 Choi D26/26
D633,237 S * 2/2011 Wang et al. D26/26
2006/0221617 A1 10/2006 Chien

FOREIGN PATENT DOCUMENTS

CN 201196397 Y 2/2009
CN 201273553 Y 7/2009

* cited by examiner

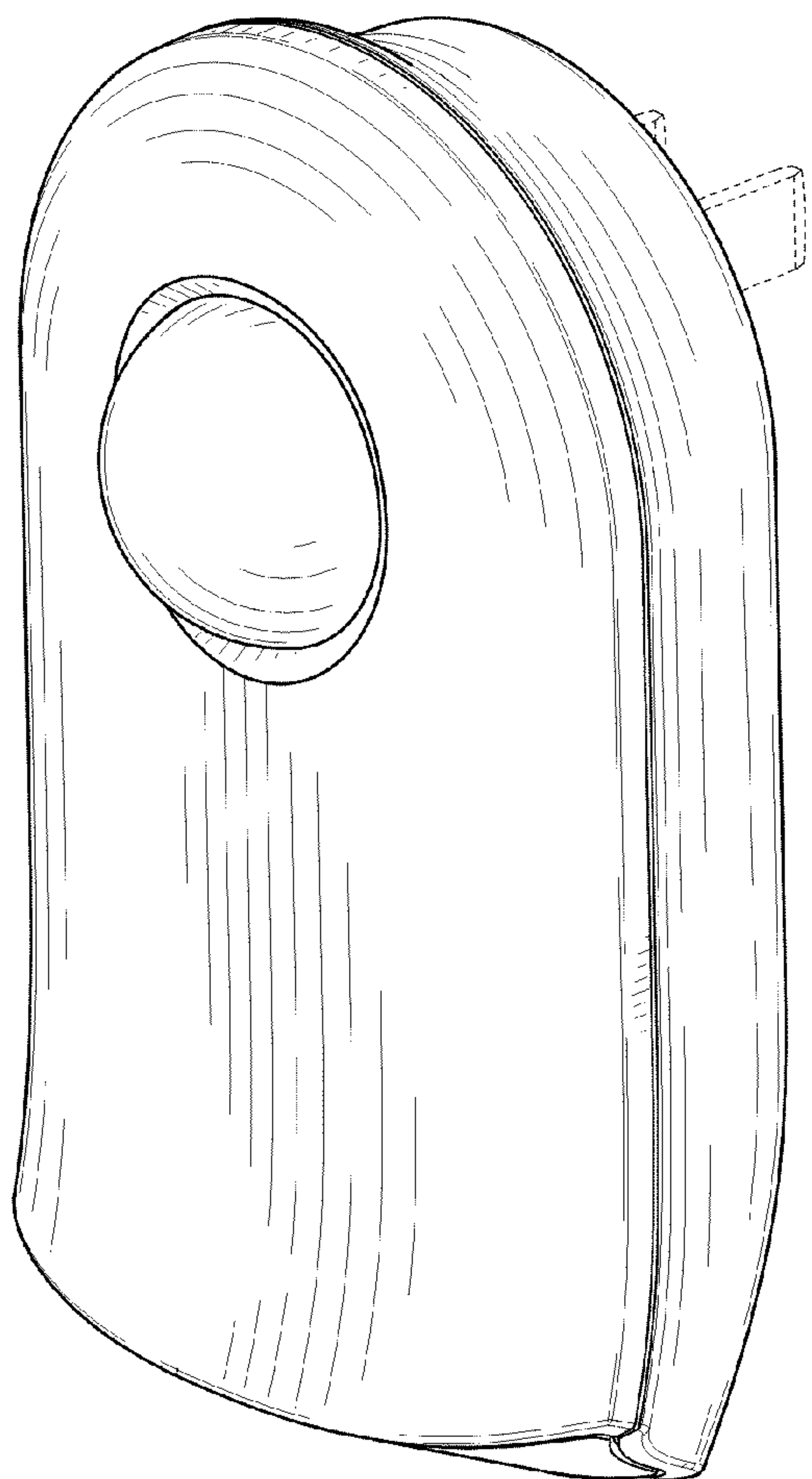


Fig. 1

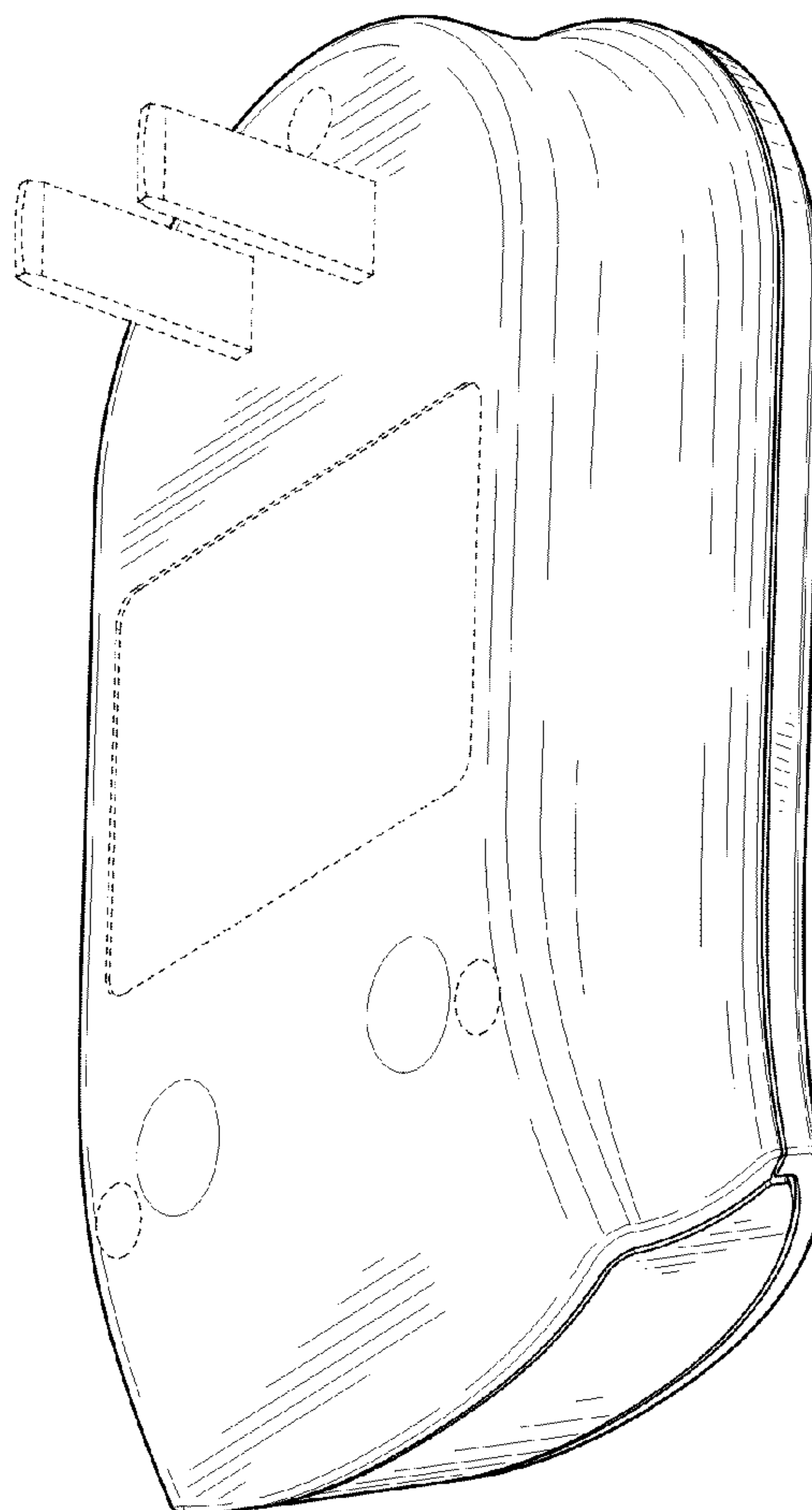


Fig. 2

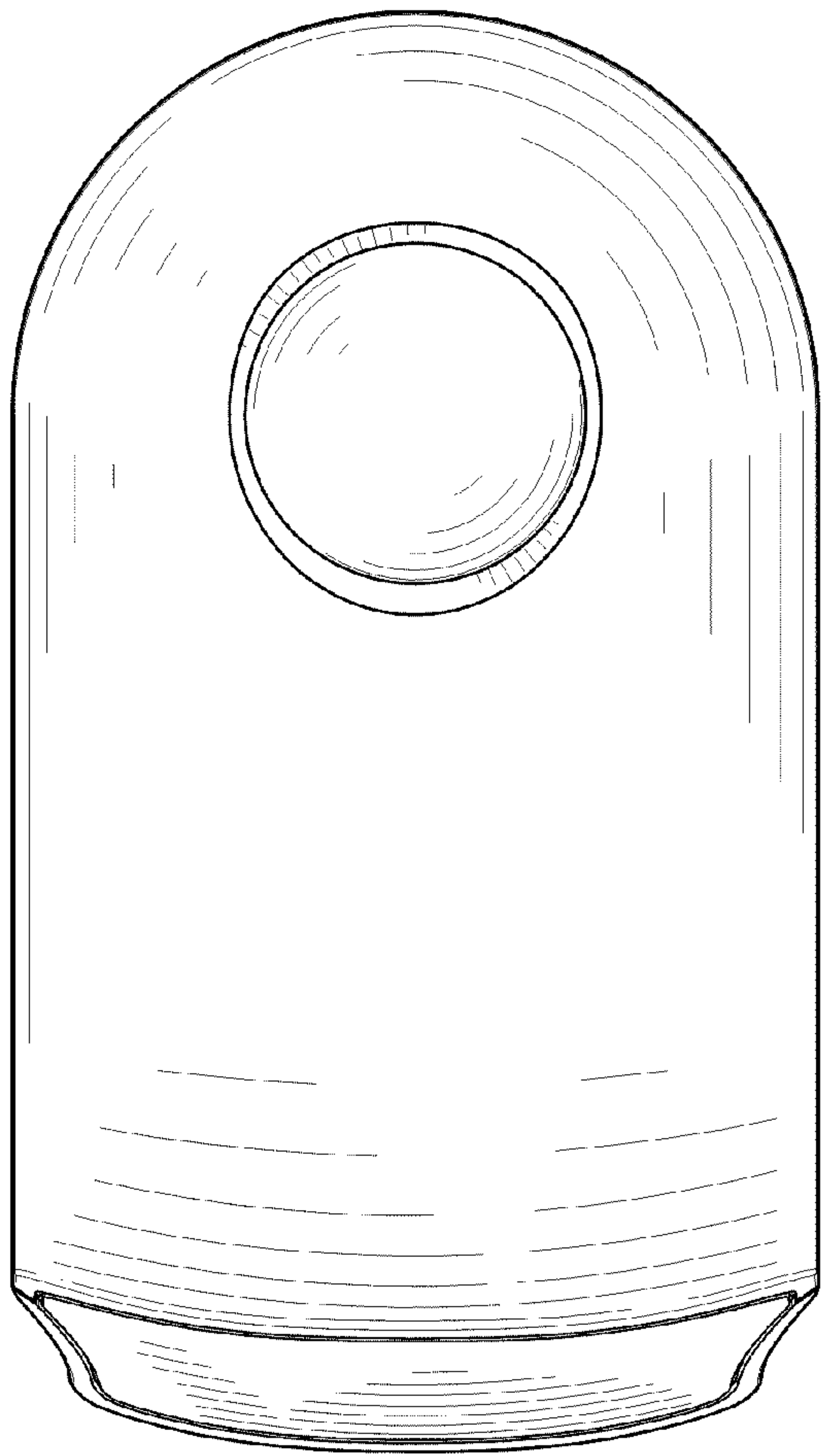


Fig. 3

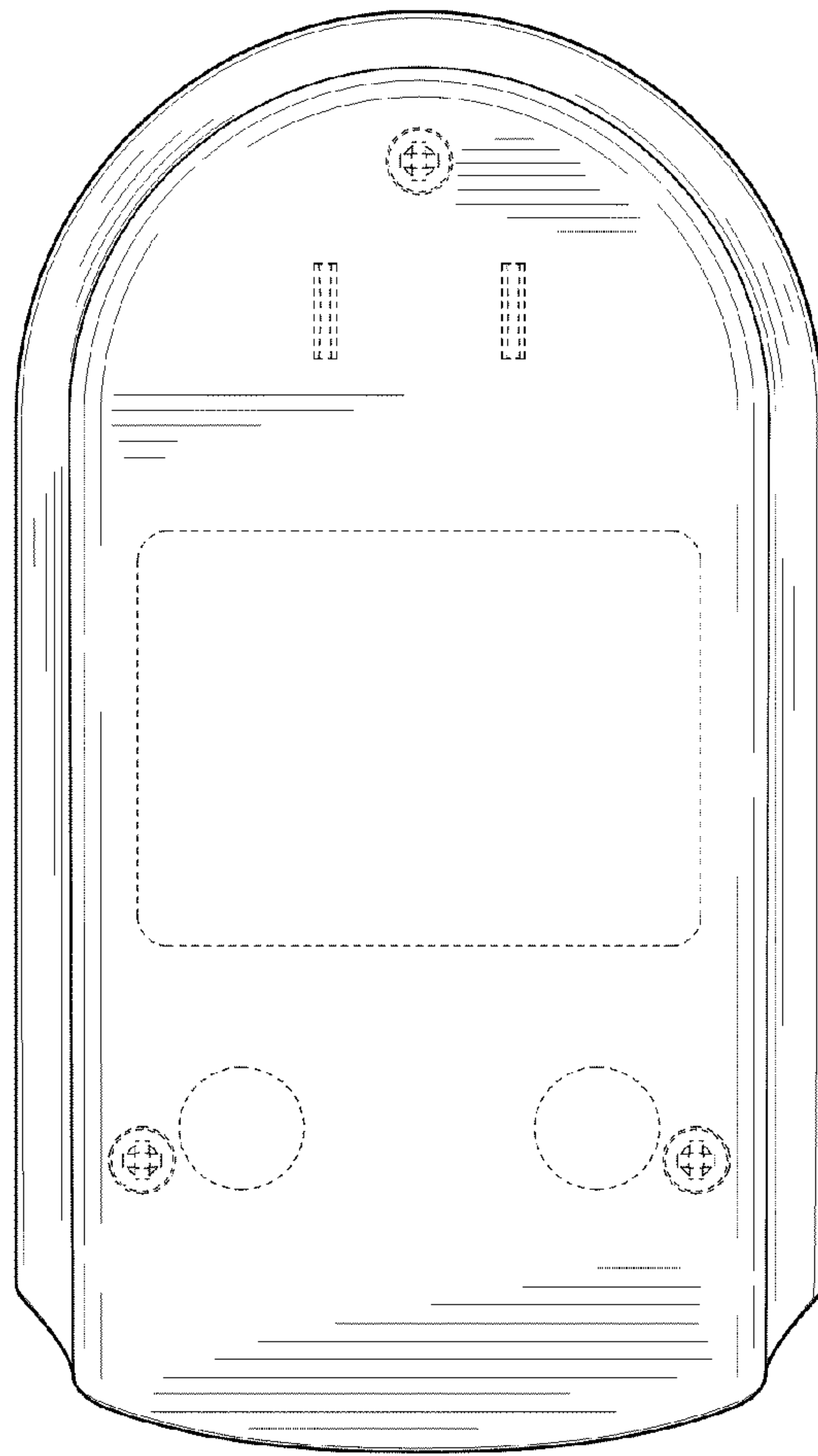


Fig. 4

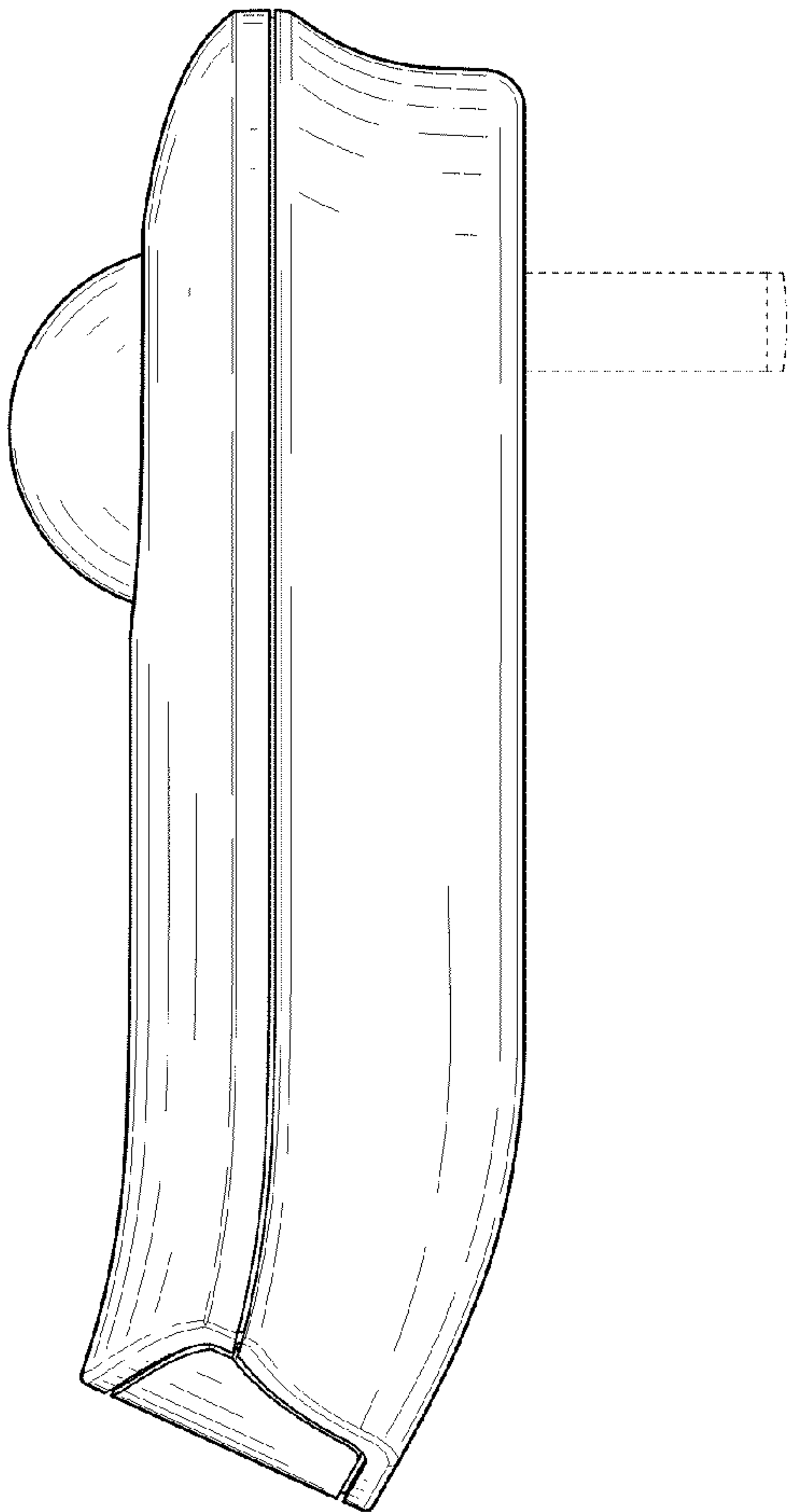


Fig. 5

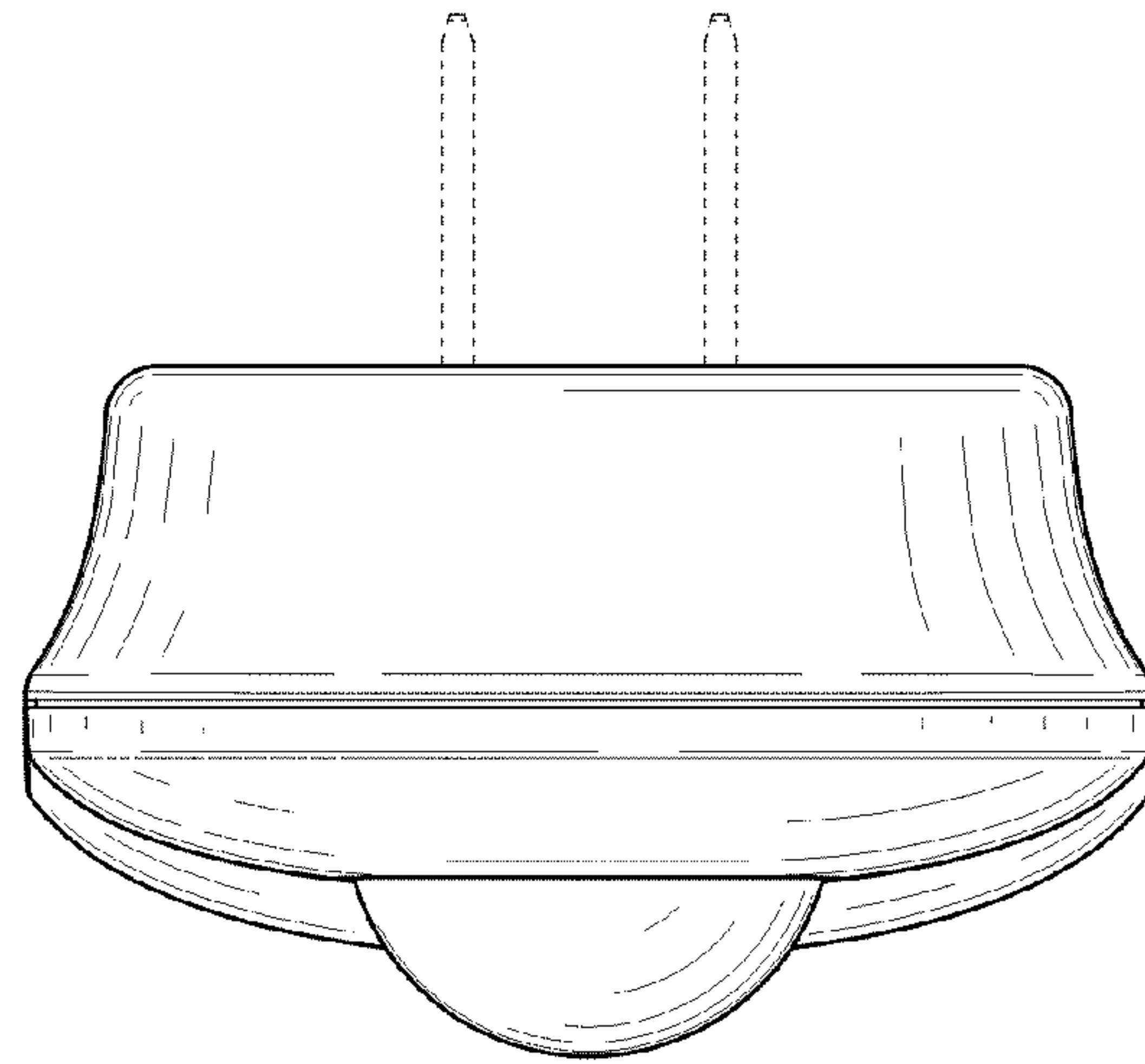


Fig. 6

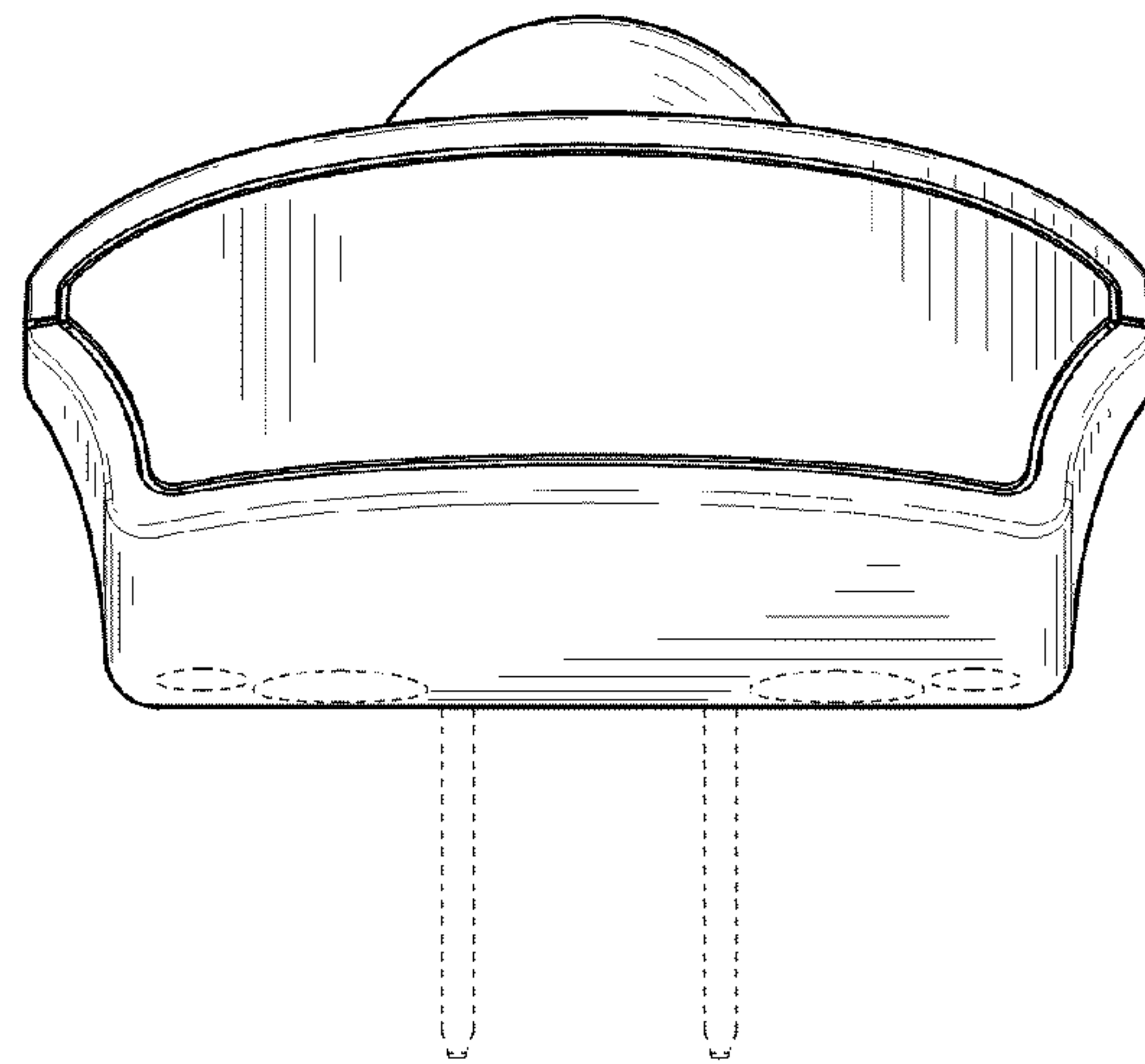


Fig. 7