

US00D644361S

(12) **United States Design Patent**
McCoy

(10) **Patent No.:** **US D644,361 S**

(45) **Date of Patent:** **** Aug. 30, 2011**

(54) **CANDLE**

(76) **Inventor:** **David E. McCoy**, Galesburg, IL (US)

(**) **Term:** **14 Years**

(21) **Appl. No.:** **29/385,169**

(22) **Filed:** **Feb. 9, 2011**

(51) **LOC (9) Cl.** **26-04**

(52) **U.S. Cl.** **D26/7; D13/127**

(58) **Field of Classification Search** **D26/6-23;**
431/125-126, 288-292; D13/127

See application file for complete search history.

(56) **References Cited**

U.S. PATENT DOCUMENTS

D54,128 S	6/1919	Rohde	
D216,570 S	2/1970	Reiber	
D216,745 S	3/1970	Reiber	
D447,257 S	8/2001	Bray	
D450,861 S	11/2001	Murdick	
D467,362 S *	12/2002	Gue	D26/7
D494,136 S *	8/2004	Vesecky	D13/127
D496,474 S	9/2004	Murdick	

D516,232 S	2/2006	Hawass	
D542,945 S *	5/2007	Johnson	D26/7
D576,318 S	9/2008	Smith	
D585,574 S	1/2009	Hawass	
D587,385 S *	2/2009	Davis	D26/7
D590,524 S *	4/2009	Gue	D26/7

* cited by examiner

Primary Examiner — Marcus Jackson

(74) *Attorney, Agent, or Firm* — QuickPatents, Inc.; Kevin Prince

(57) **CLAIM**

The ornamental design for a candle, as shown and described.

DESCRIPTION

FIG. 1 is a perspective view of a candle, showing the new design;

FIG. 2 is a front elevational view thereof;

FIG. 3 is a left-side elevational view thereof;

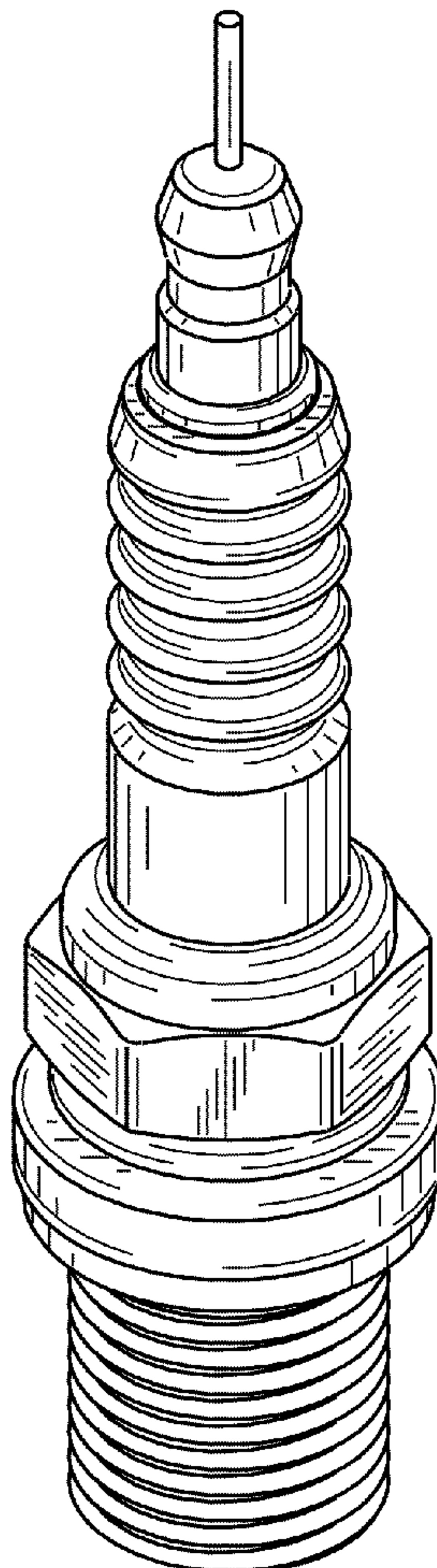
FIG. 4 is a rear elevational view thereof;

FIG. 5 is a right-side elevational view thereof;

FIG. 6 is a top plan view thereof; and,

FIG. 7 is a bottom plan view thereof.

1 Claim, 3 Drawing Sheets



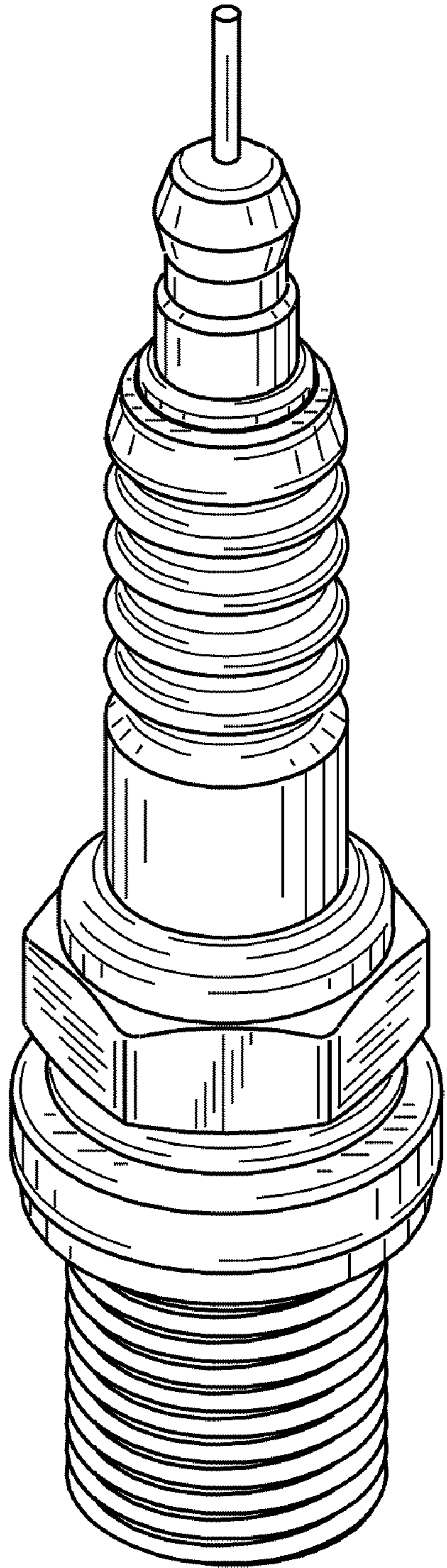


FIG. 1

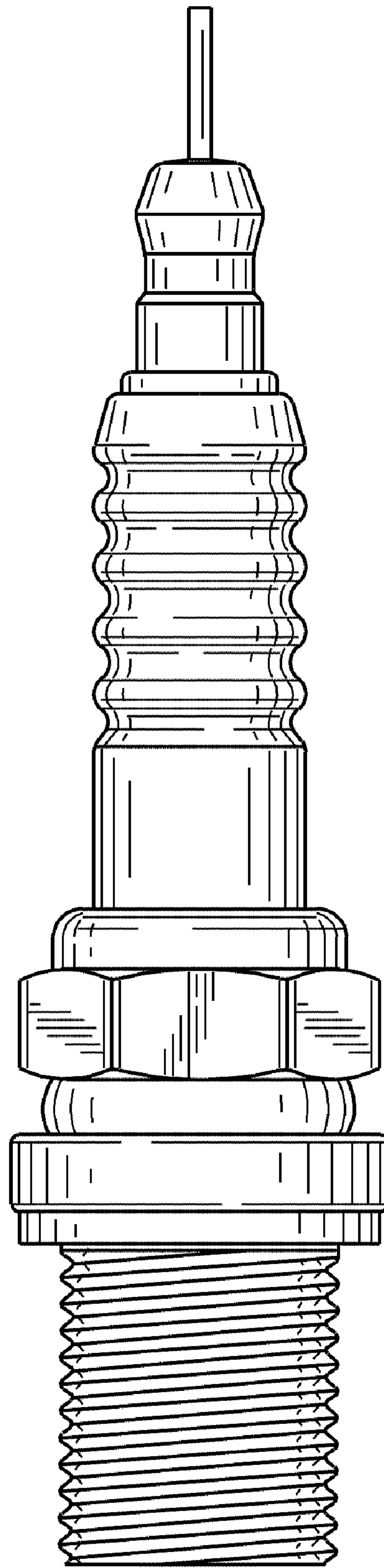


FIG. 2

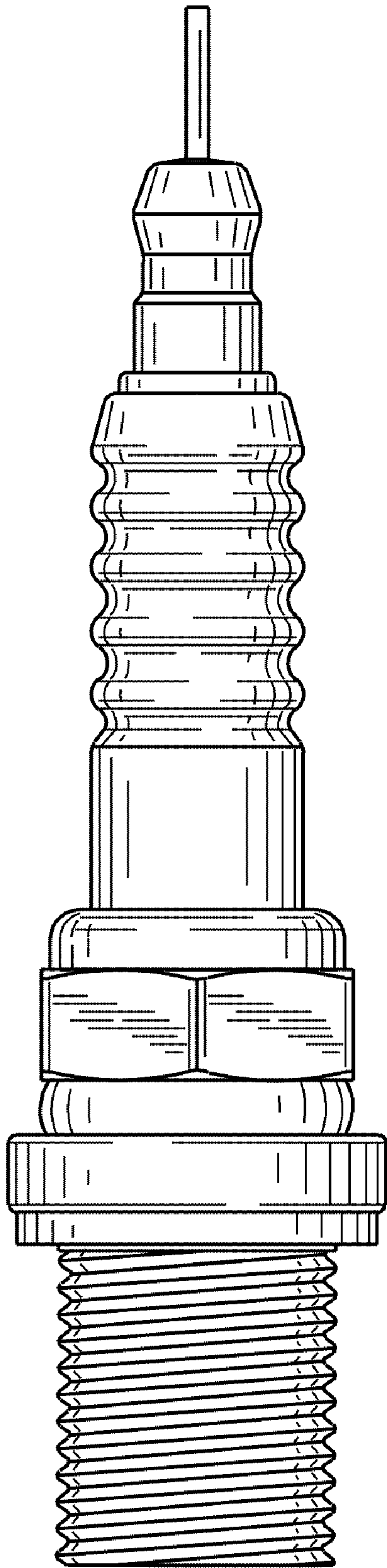


FIG. 3

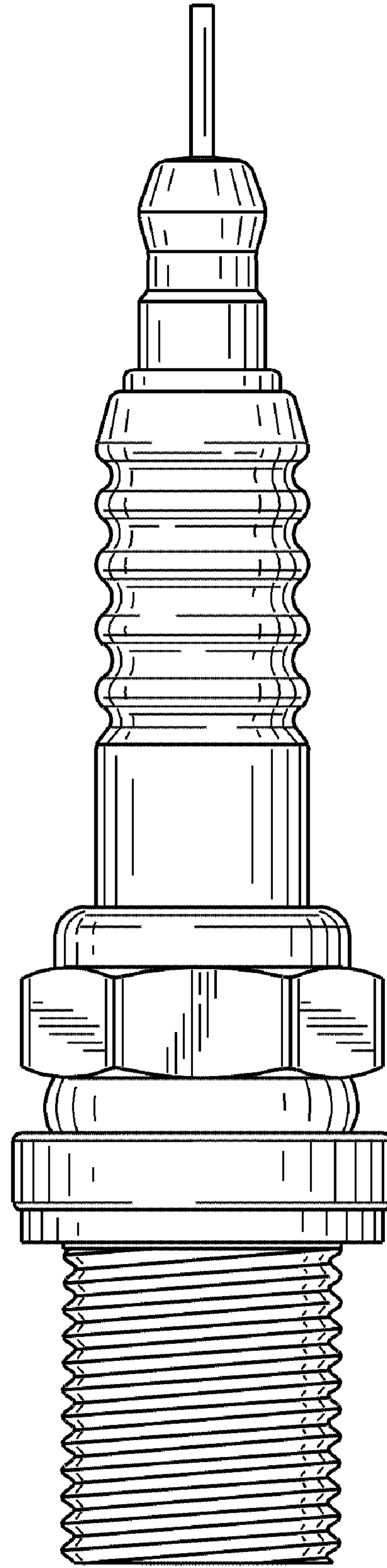


FIG. 4

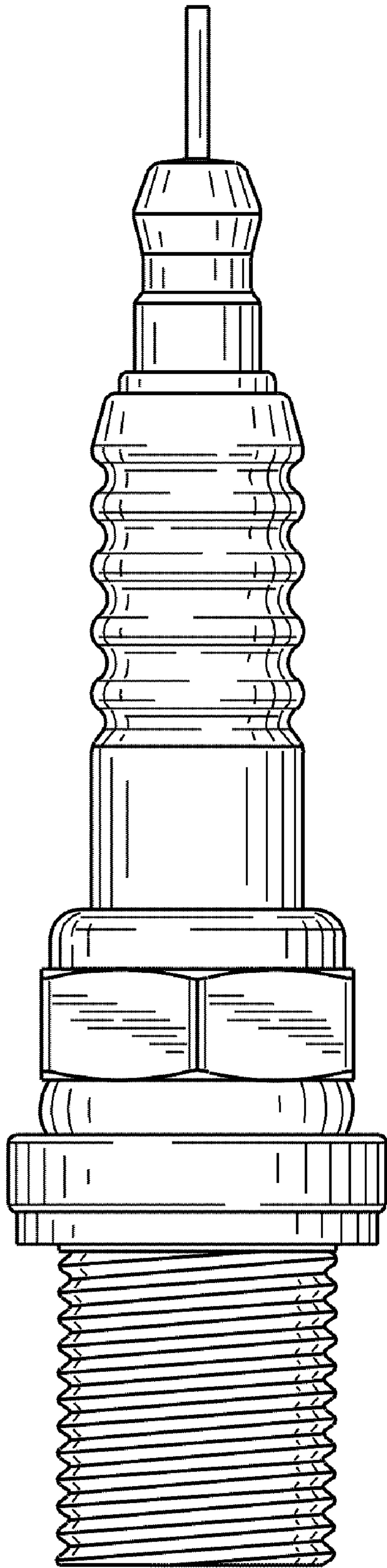


FIG. 5

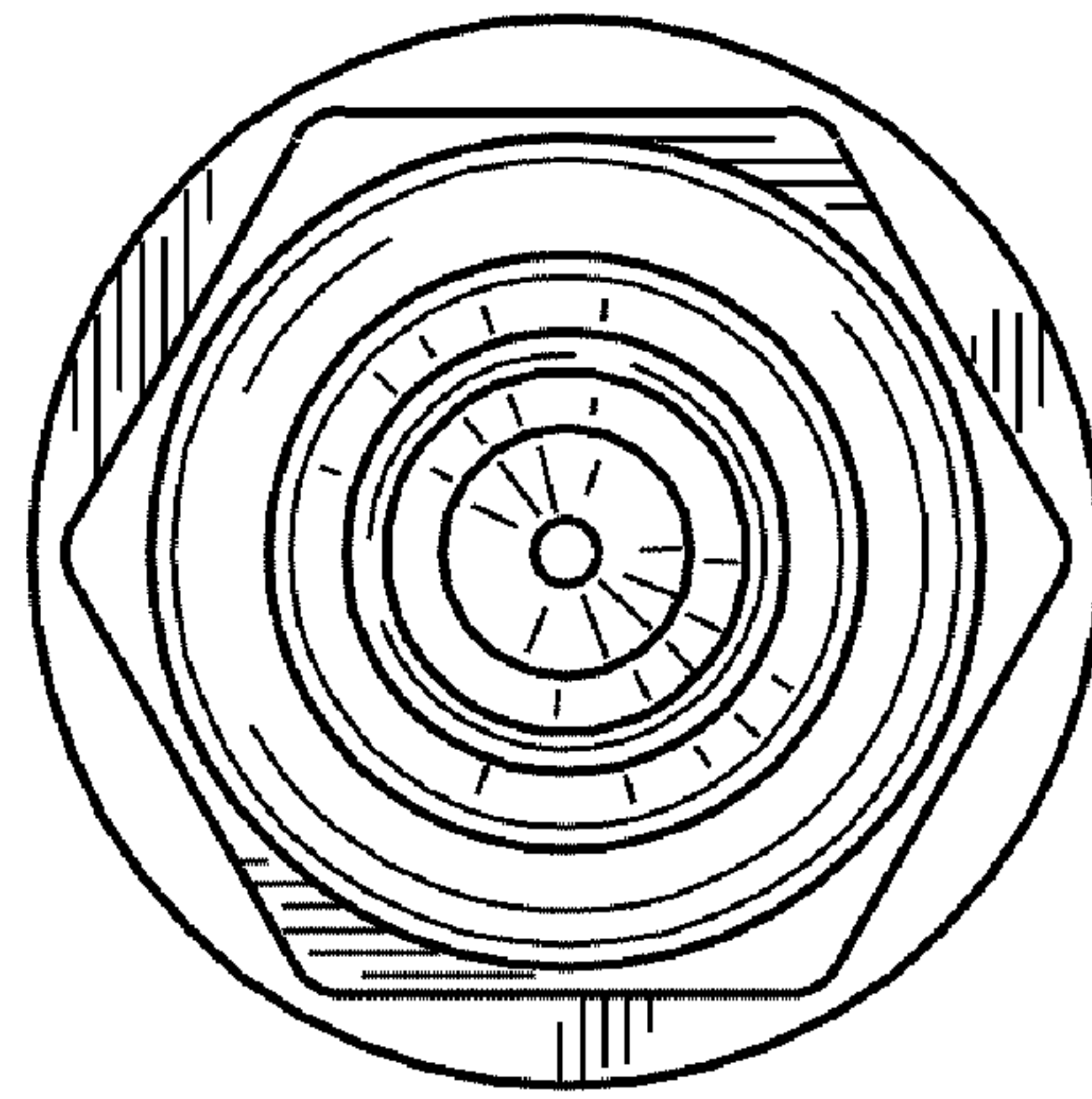


FIG. 6

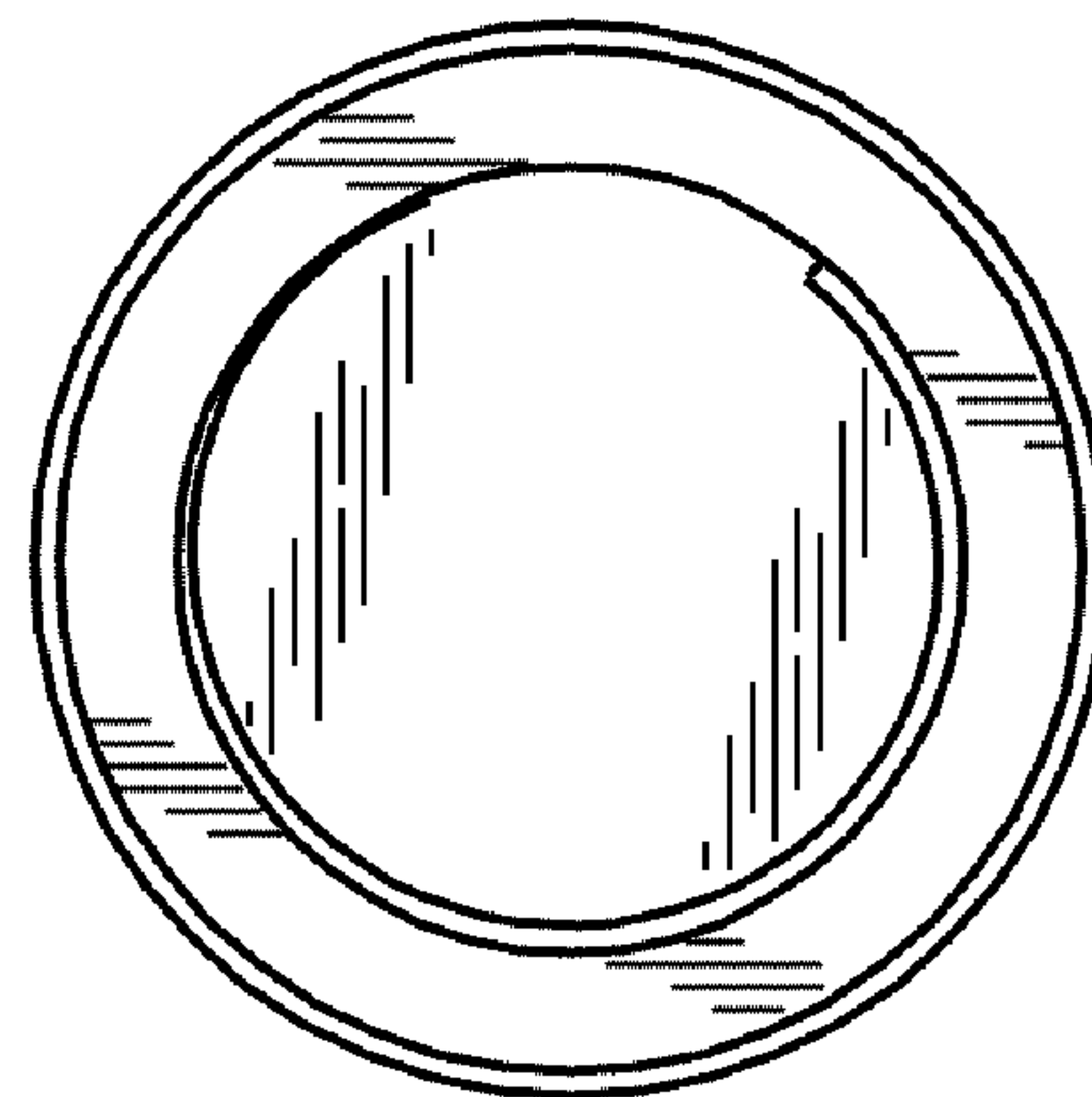


FIG. 7