



US00D644357S

(12) **United States Design Patent**
Hsu et al.

(10) **Patent No.:** **US D644,357 S**

(45) **Date of Patent:** **** Aug. 30, 2011**

(54) **LIGHT EMITTING DIODE LAMP**

(75) Inventors: **Ming-Cheng Horace Hsu**, New Taipei (TW); **Chin-Wei Chou**, New Taipei (TW)

(73) Assignees: **Cal-Comp Electronics & Communications Company Limited**, New Taipei (TW); **Kinpo Electronics, Inc.**, New Taipei (TW)

D587,384 S * 2/2009 Wei D26/2
D592,766 S * 5/2009 Zhu et al. D26/2
D601,275 S * 9/2009 Ho et al. D26/2
D607,587 S * 1/2010 Ko D26/2
D610,275 S * 2/2010 Cho D26/2
D612,956 S * 3/2010 Moon D26/2
D613,433 S * 4/2010 Moon D26/2

* cited by examiner

Primary Examiner — Marcus Jackson
(74) *Attorney, Agent, or Firm* — Jianq Chyun IP Office

(**) Term: **14 Years**

(21) Appl. No.: **29/384,536**

(22) Filed: **Feb. 1, 2011**

(51) **LOC (9) Cl.** **26-04**

(52) **U.S. Cl.** **D26/2**

(58) **Field of Classification Search** D26/1-4;
313/313, 315, 316, 317, 318, 493; 315/52,
315/53, 56, 57, 58

See application file for complete search history.

(56) **References Cited**

U.S. PATENT DOCUMENTS

D545,457 S * 6/2007 Chen D26/2
D584,428 S * 1/2009 Li et al. D26/2

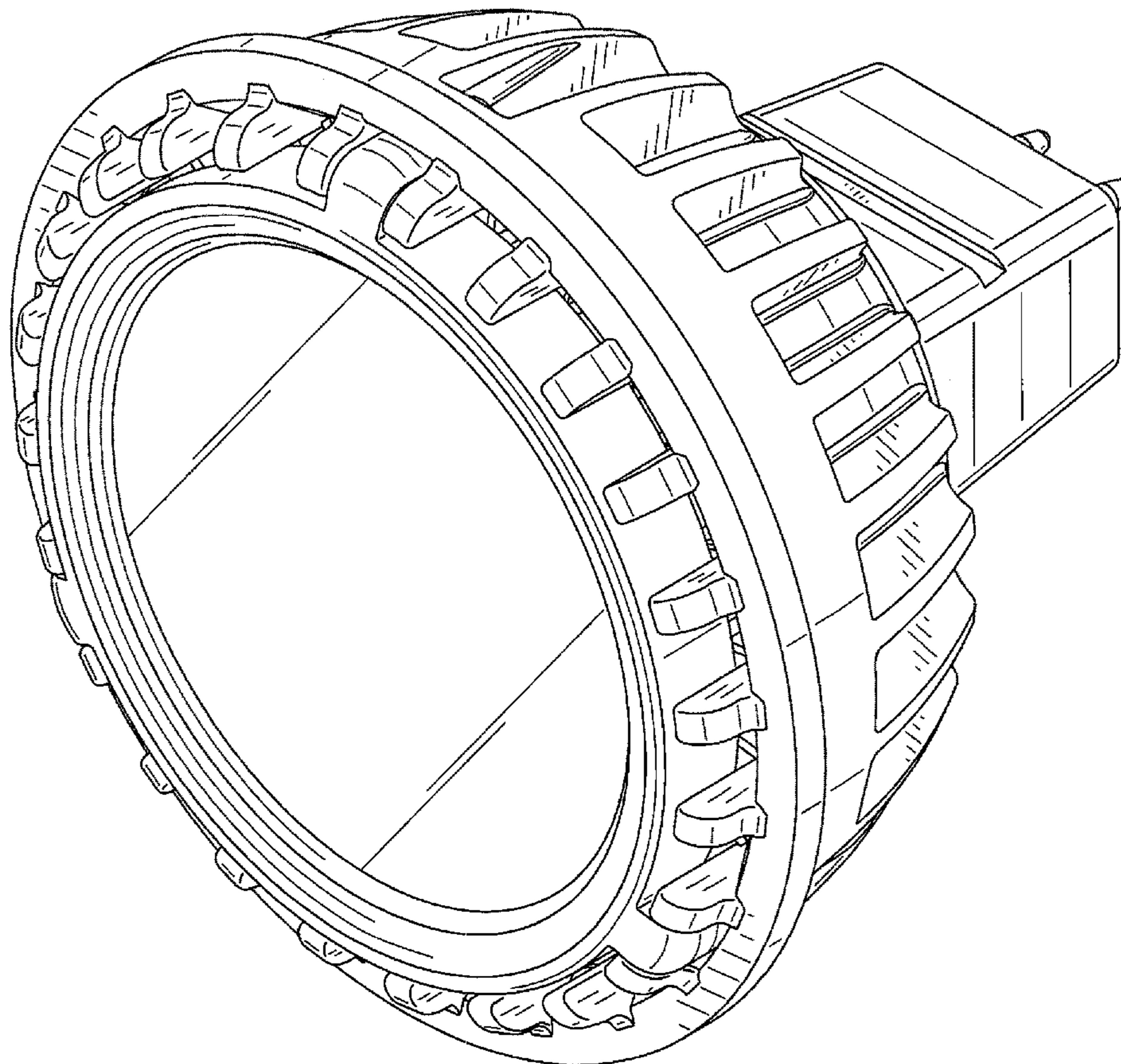
(57) **CLAIM**

The ornamental design for a lighting emitting diode lamp, as shown and described.

DESCRIPTION

FIG. 1 is a perspective view of a lighting emitting diode lamp showing our new design;
FIG. 2 is a front view thereof;
FIG. 3 is a rear view thereof;
FIG. 4 is a left side view thereof;
FIG. 5 is a right view thereof;
FIG. 6 is a top view thereof; and,
FIG. 7 is a bottom view thereof.

1 Claim, 7 Drawing Sheets



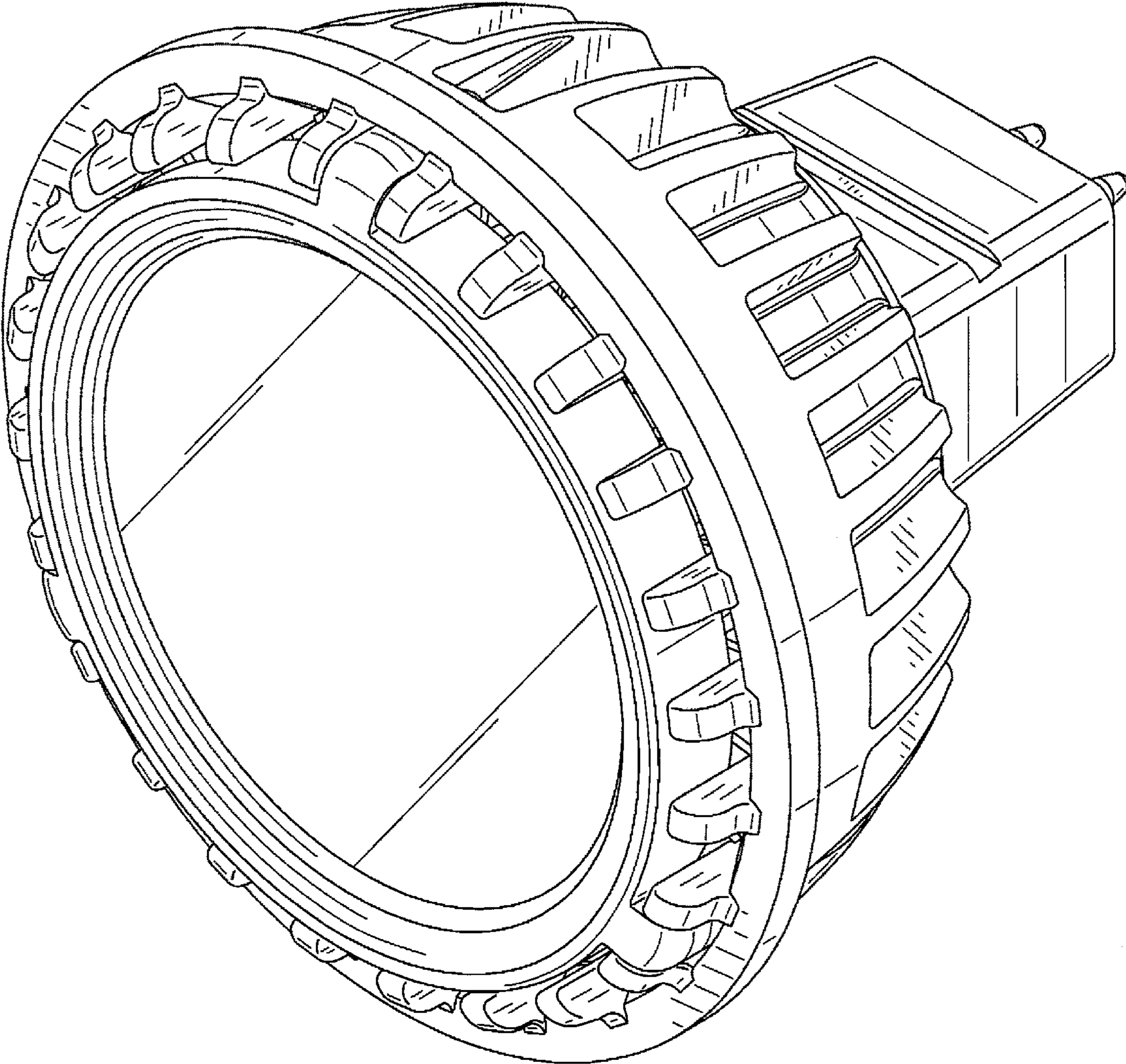


FIG. 1

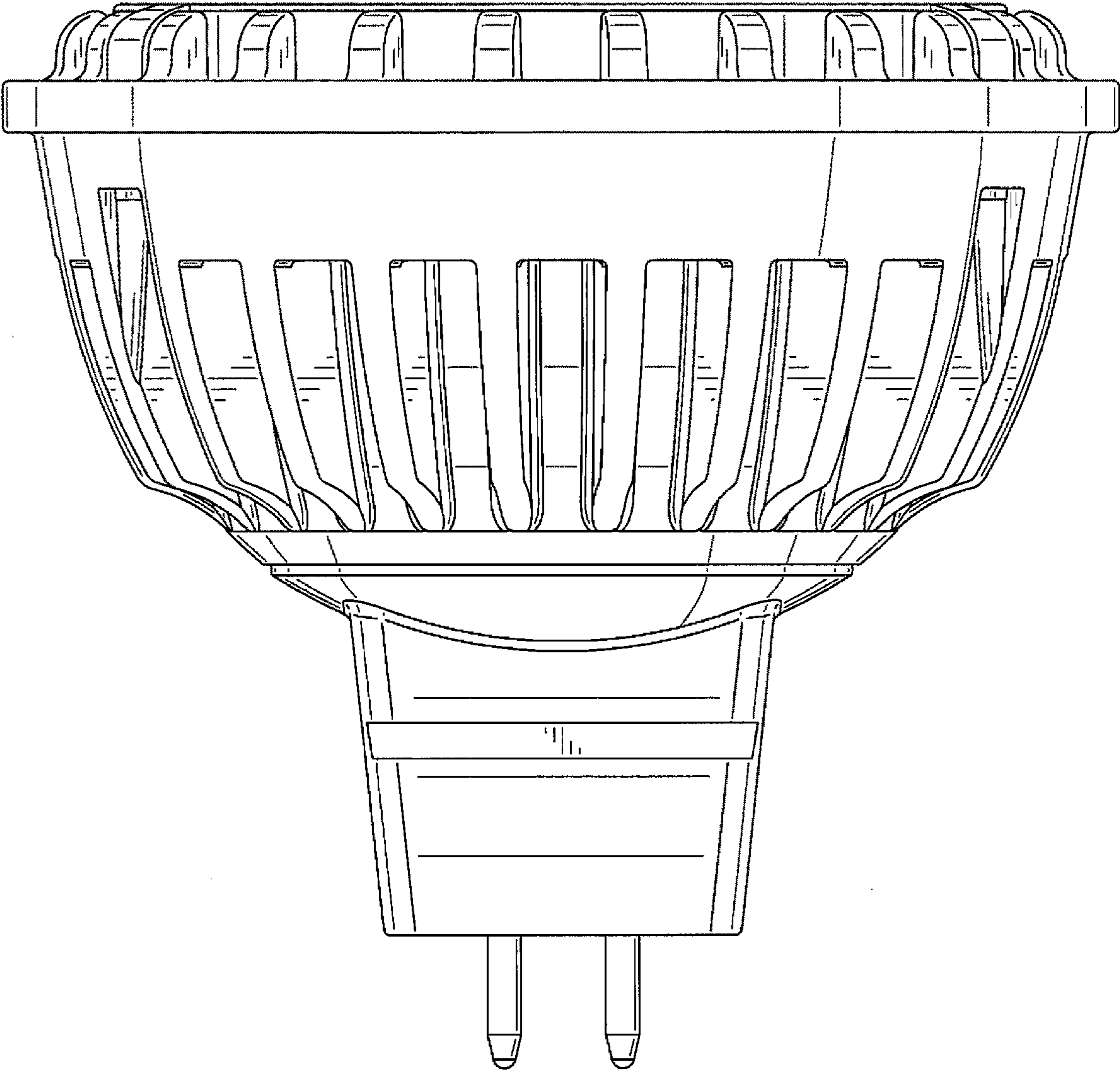


FIG. 2

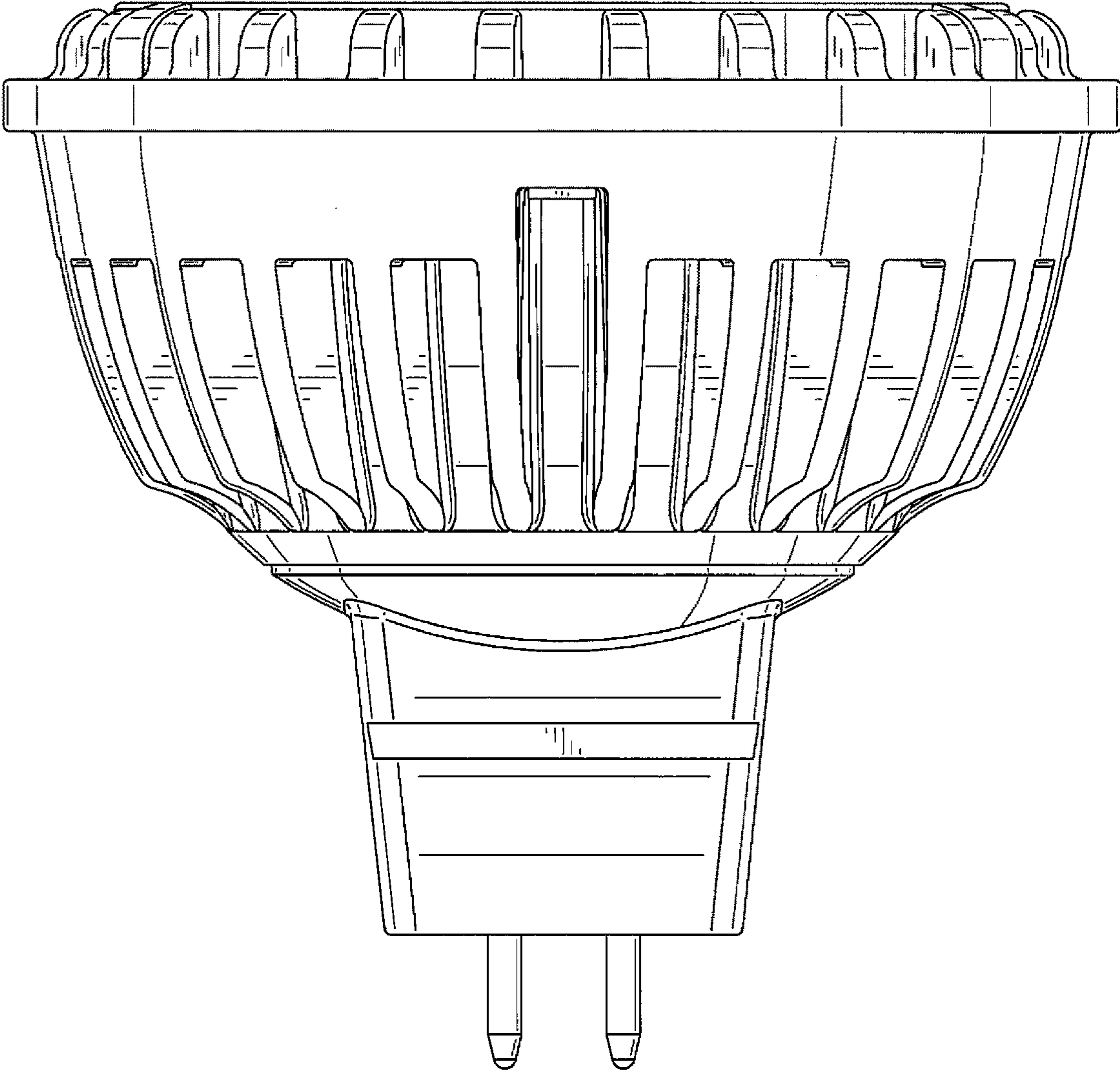


FIG. 3

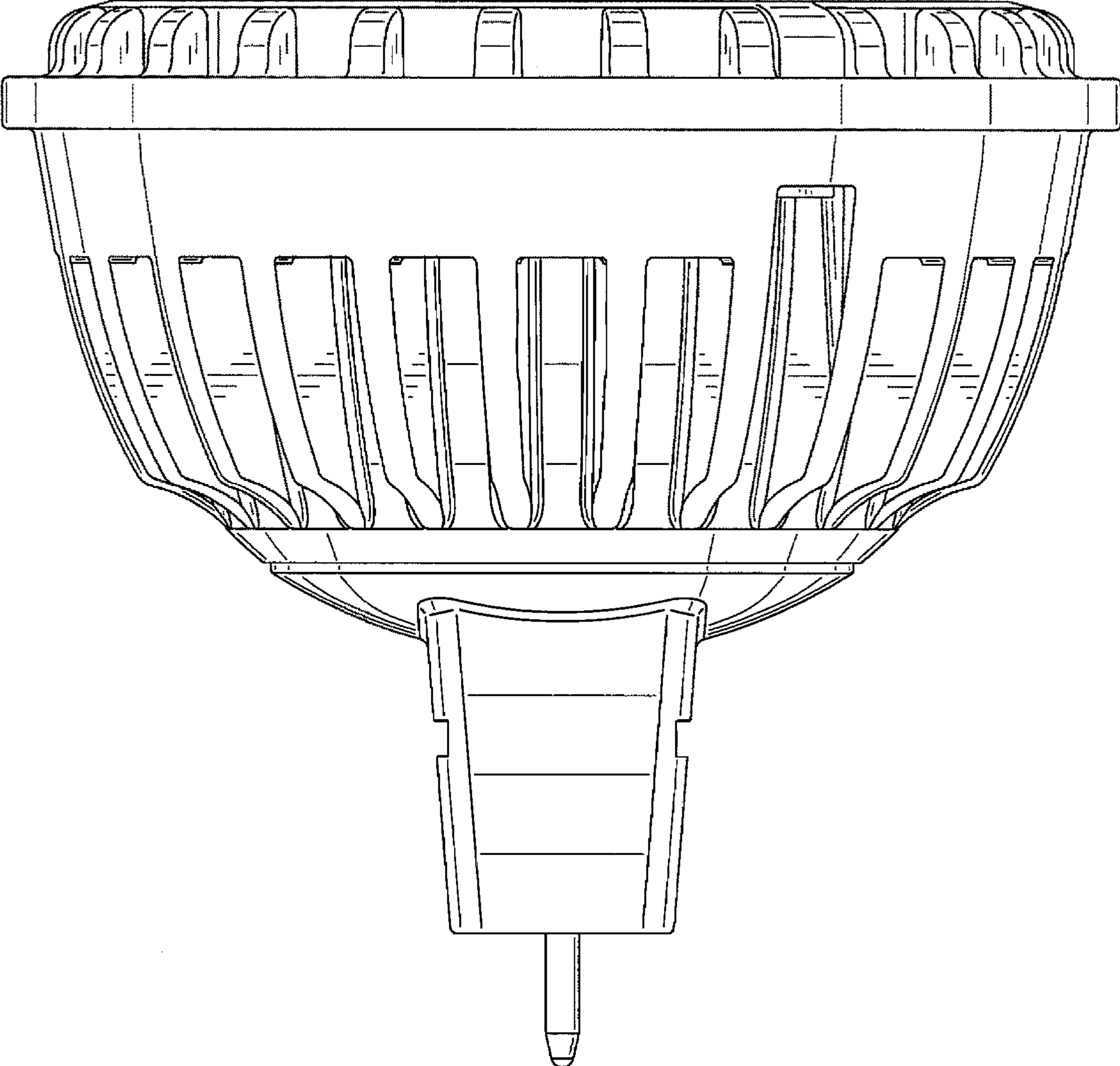


FIG. 4

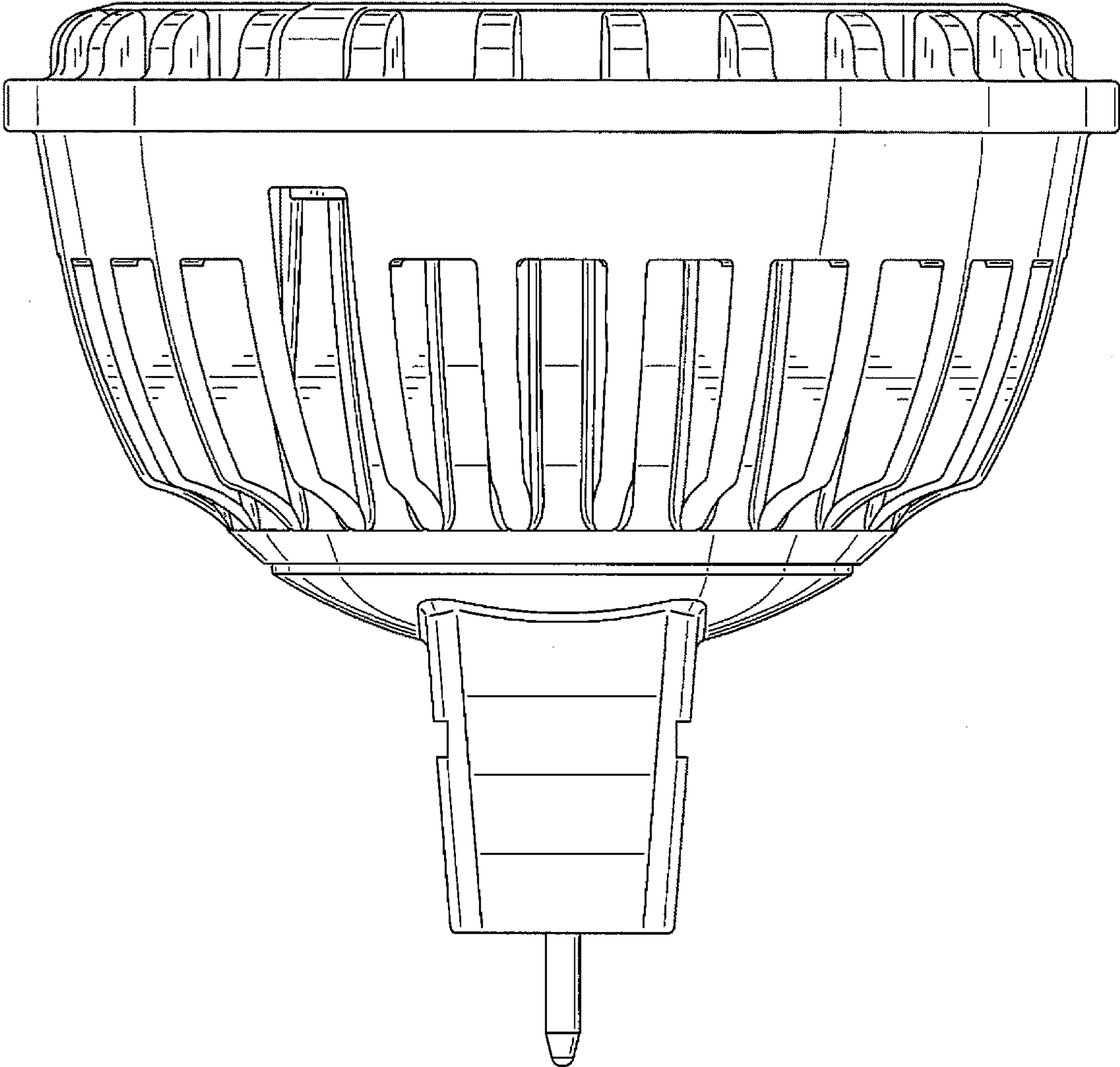


FIG. 5

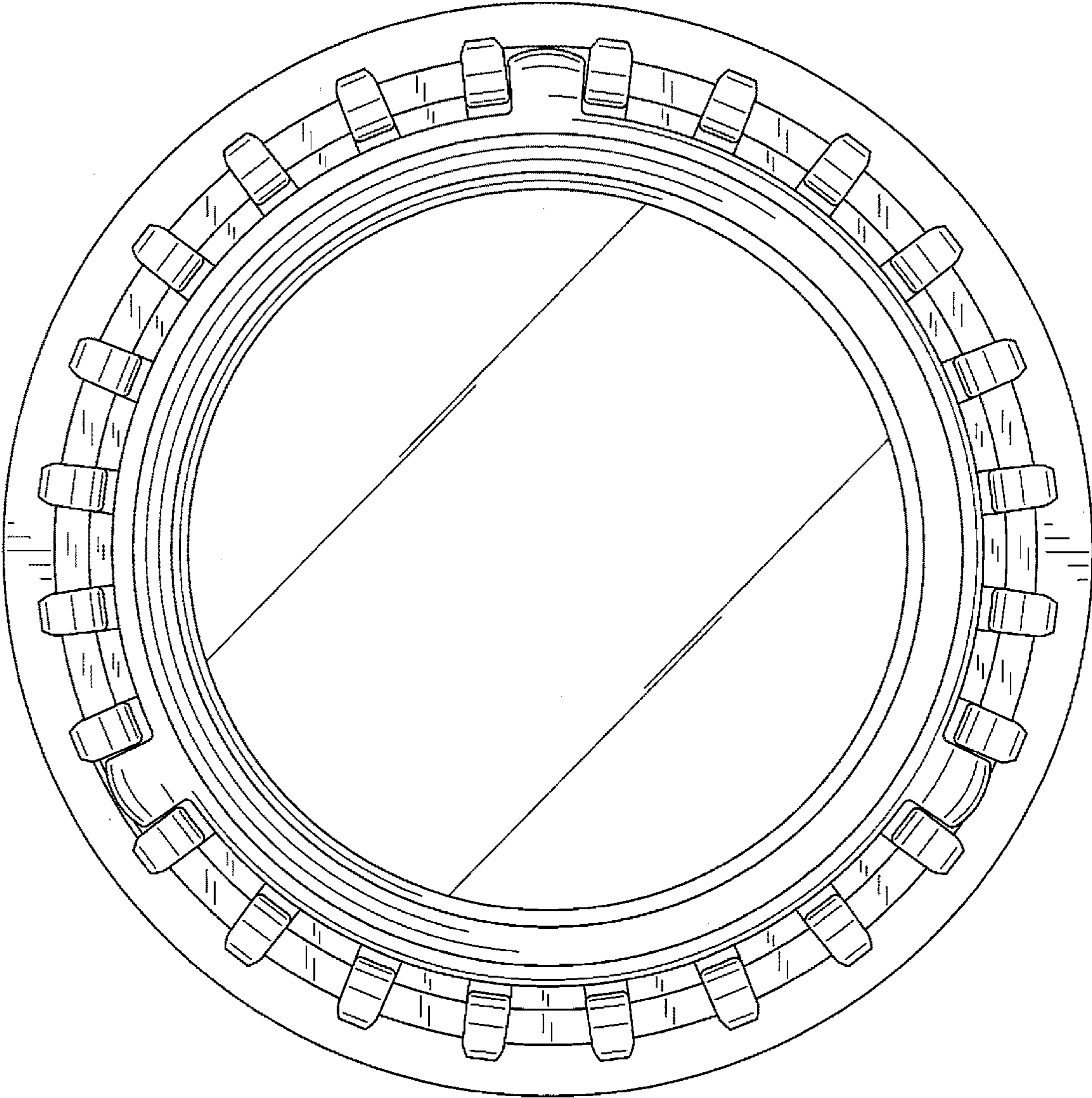


FIG. 6

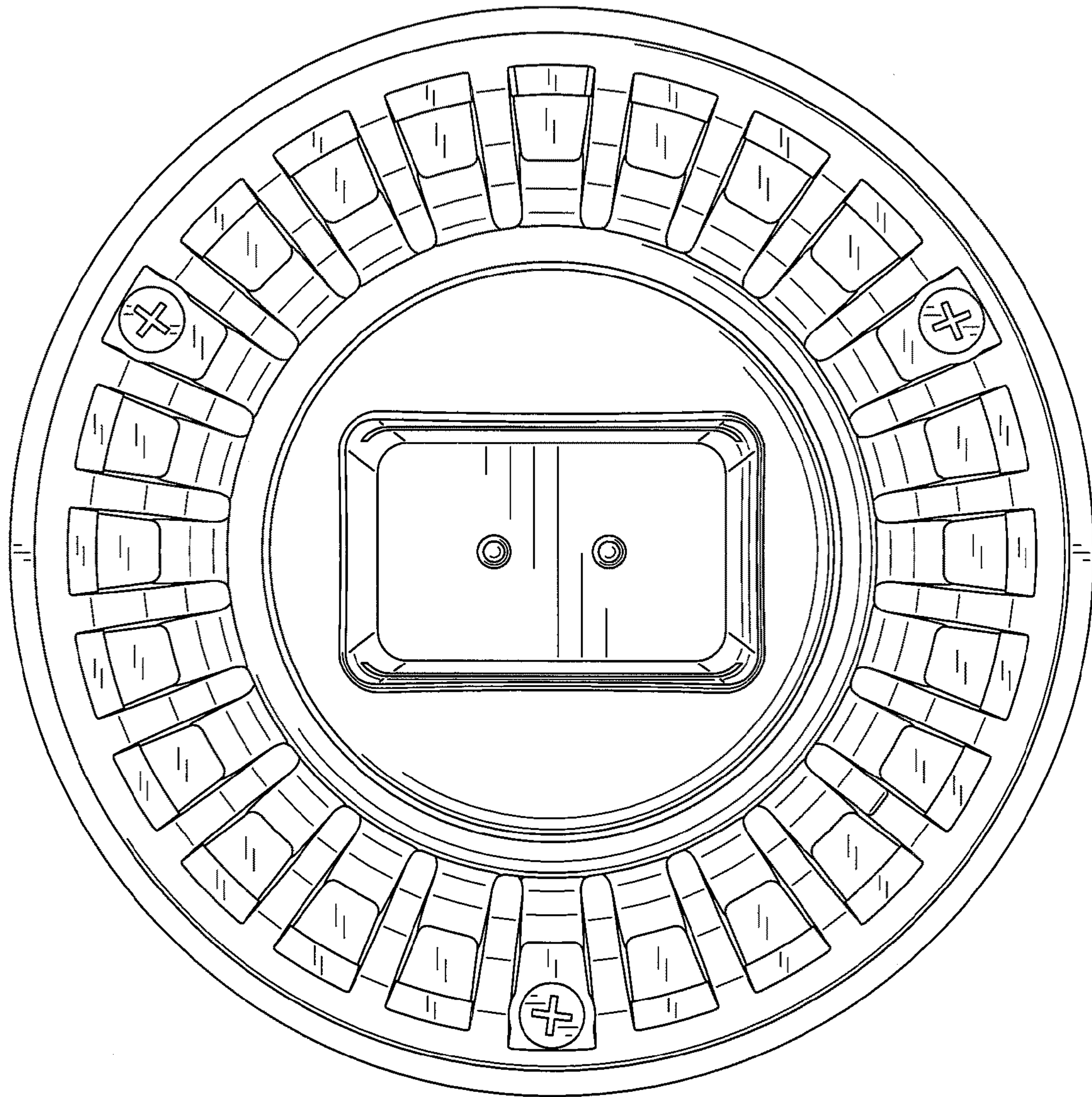


FIG. 7