



US00D644356S

(12) **United States Design Patent**
Pickard

(10) **Patent No.:** **US D644,356 S**

(45) **Date of Patent:** **** *Aug. 30, 2011**

(54) **LAMP**

(75) Inventor: **Paul Kenneth Pickard**, Morrisville, NC (US)

(73) Assignee: **Cree, Inc.**, Durham, NC (US)

(*) Notice: This patent is subject to a terminal disclaimer.

(**) Term: **14 Years**

(21) Appl. No.: **29/375,248**

(22) Filed: **Sep. 20, 2010**

Related U.S. Application Data

(63) Continuation-in-part of application No. 12/582,206, filed on Oct. 20, 2009, and a continuation of application No. 29/346,183, filed on Oct. 28, 2009, now Pat. No. Des. 626,257.

(51) **LOC (9) Cl.** **26-04**

(52) **U.S. Cl.** **D26/2**

(58) **Field of Classification Search** D26/1-4;
313/313, 315, 316, 317, 318, 493; 315/52,
315/53, 56, 57, 58

See application file for complete search history.

(56) **References Cited**

U.S. PATENT DOCUMENTS

D508,575 S * 8/2005 Buschmann et al. D26/2
D528,227 S * 9/2006 Chou et al. D26/2
D531,741 S * 11/2006 Takahashi D26/2

D534,665 S * 1/2007 Egawa et al. D26/2
D541,440 S 4/2007 Feit
D581,556 S * 11/2008 To et al. D26/2
D590,523 S 4/2009 Takahashi
D598,143 S 8/2009 Gerritsen
D600,367 S * 9/2009 Bertram et al. D26/2
D600,368 S 9/2009 Bertram et al.
D601,278 S * 9/2009 Takahashi D26/2
D602,614 S 10/2009 Takahashi et al.
D617,915 S * 6/2010 Wada et al. D26/2
D617,919 S * 6/2010 Wada et al. D26/2
D626,257 S 10/2010 Pickard
D630,349 S * 1/2011 Pei et al. D26/2

* cited by examiner

Primary Examiner — Marcus Jackson

(74) *Attorney, Agent, or Firm* — Burr & Brown

(57) **CLAIM**

The ornamental design for a lamp, as shown and described.

DESCRIPTION

FIG. 1 is a front view of the lamp in accordance with my new design; the back side view being identical to the front view; FIG. 2 is a right side view of the lamp in accordance with my new design; the left side view being identical to the right side view;

FIG. 3 is a first perspective view thereof;

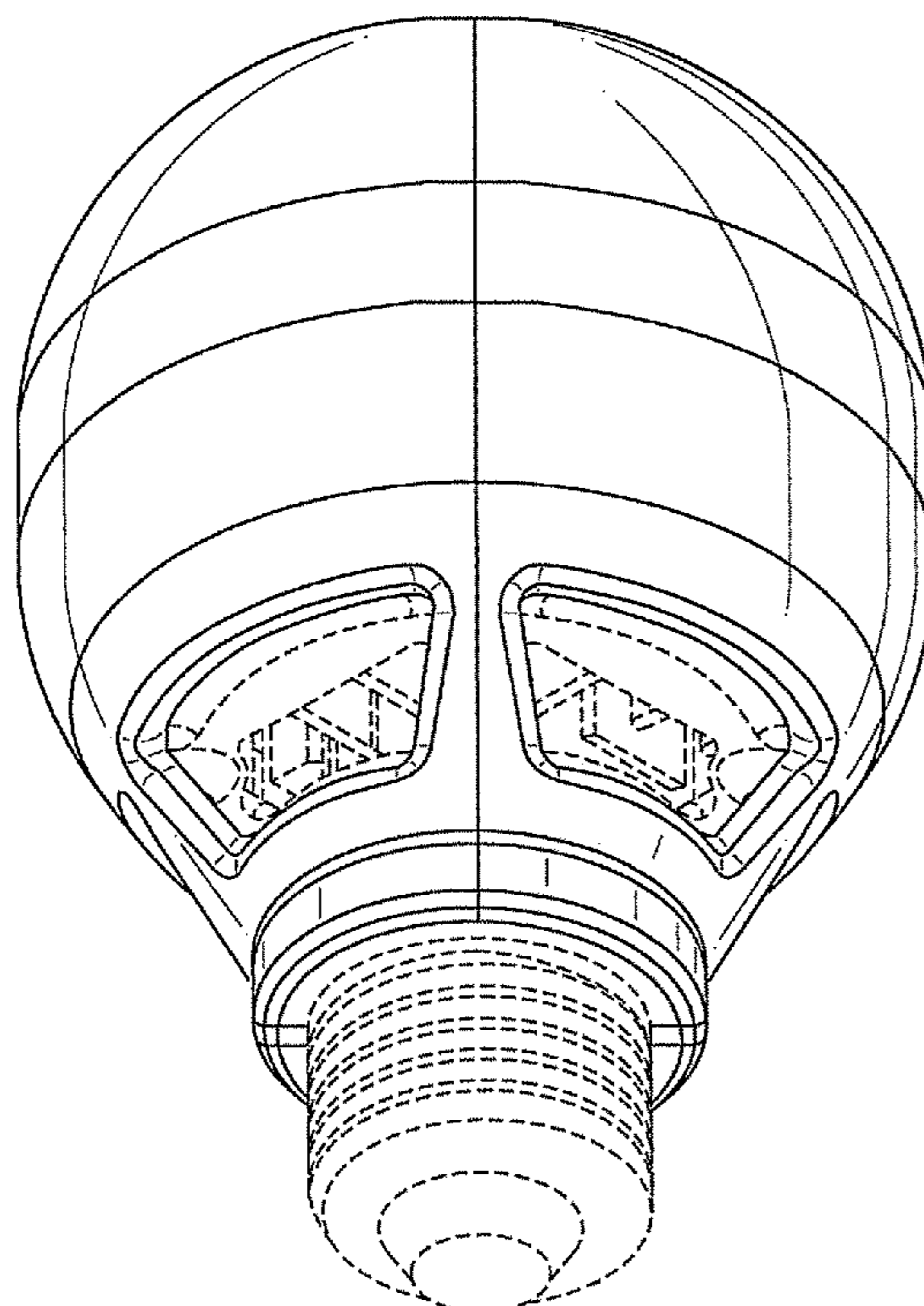
FIG. 4 is a second perspective view thereof.

FIG. 5 is a top view thereof; and,

FIG. 6 is a bottom view thereof.

The broken lines show environmental structure that forms no part of the claimed design.

1 Claim, 5 Drawing Sheets



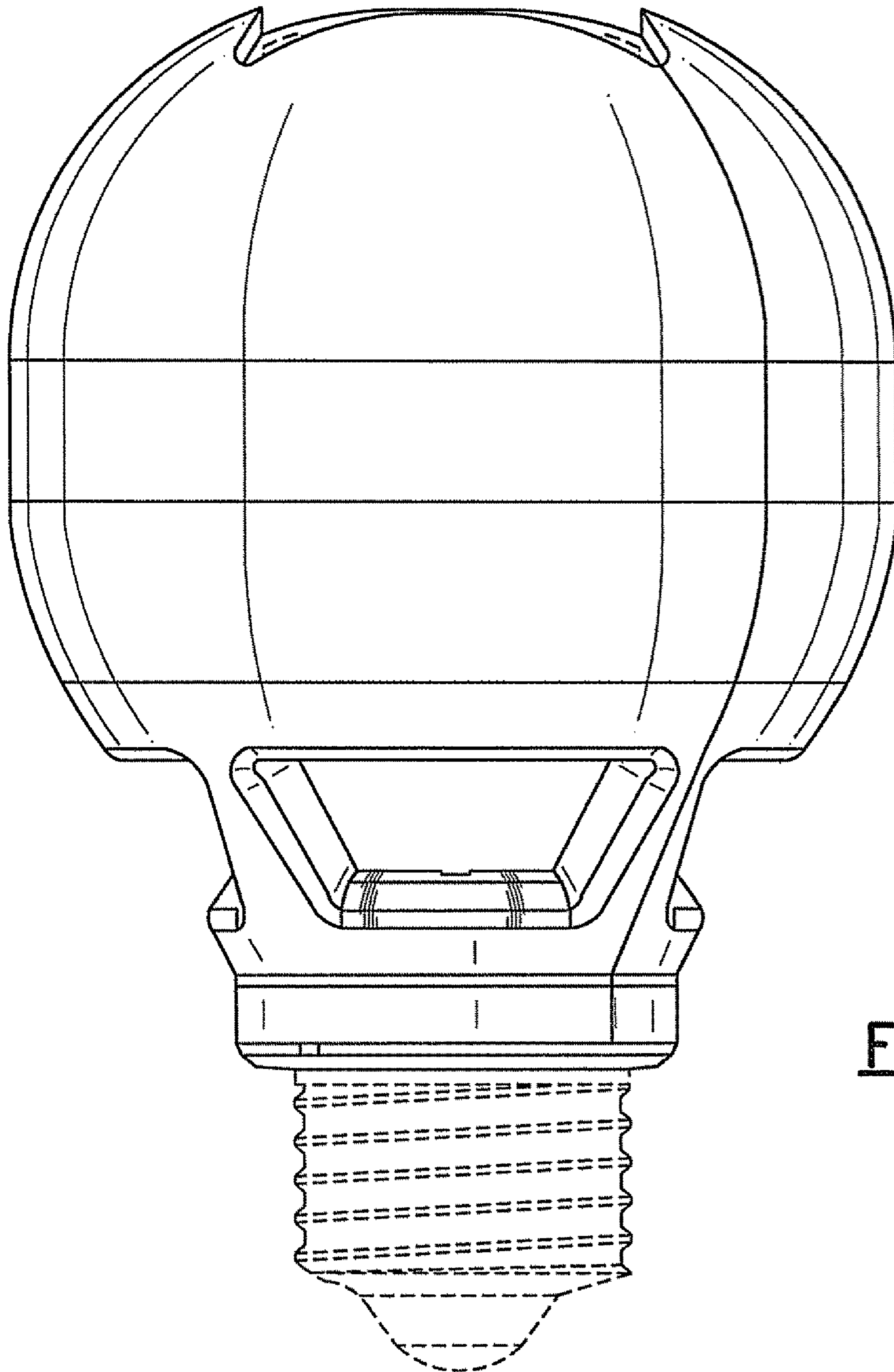


FIG. 1

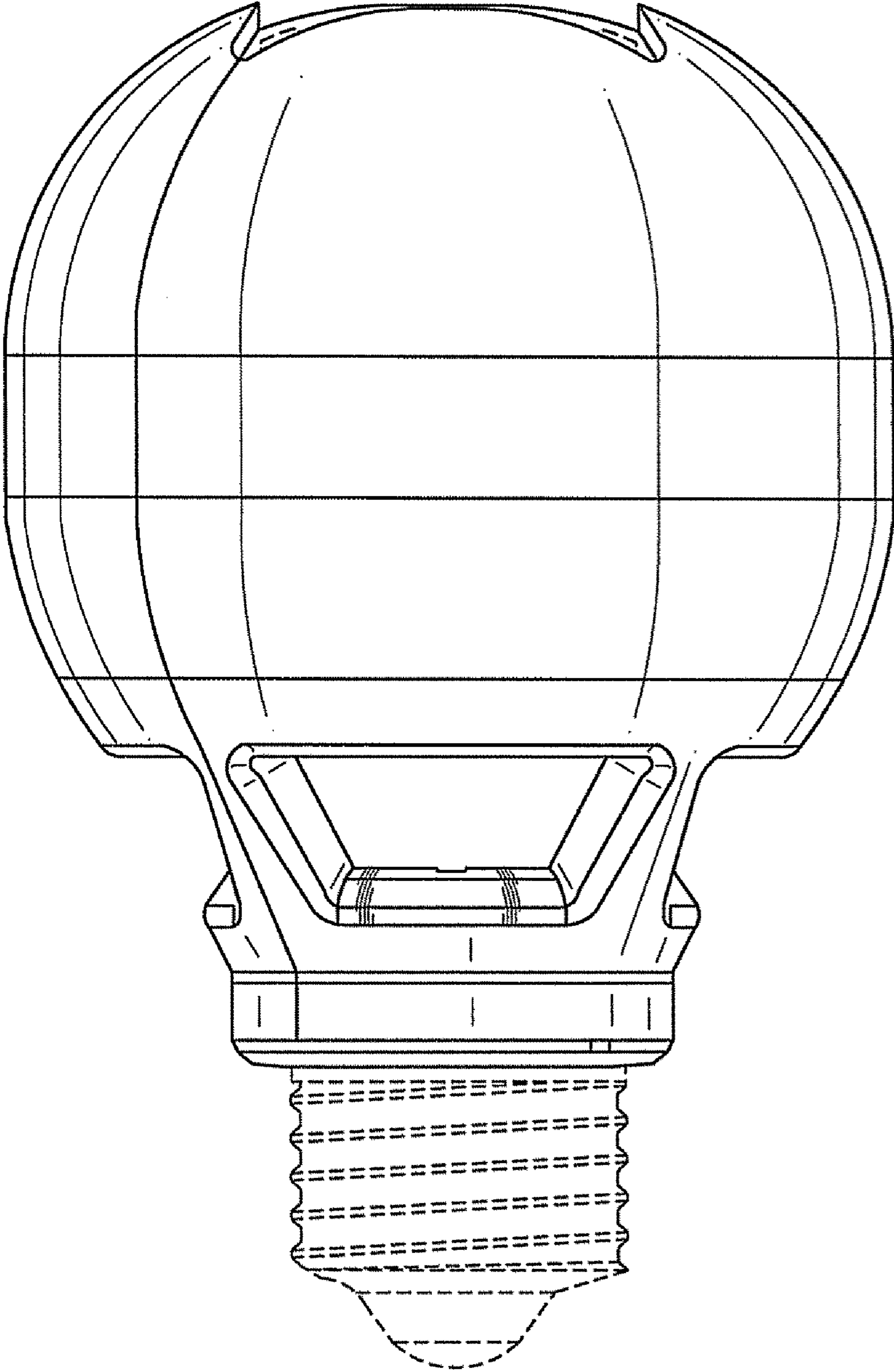


FIG.2

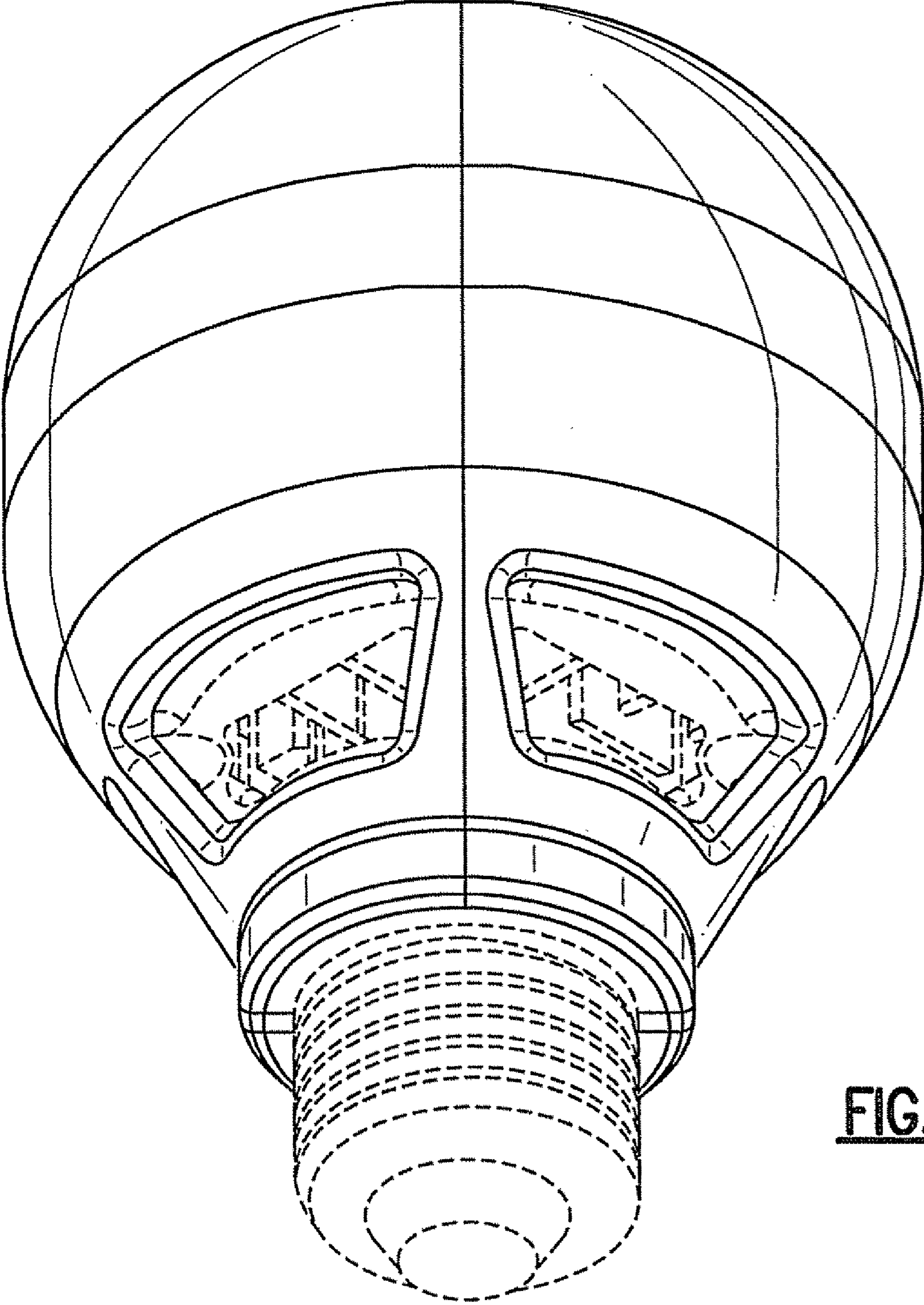


FIG.3

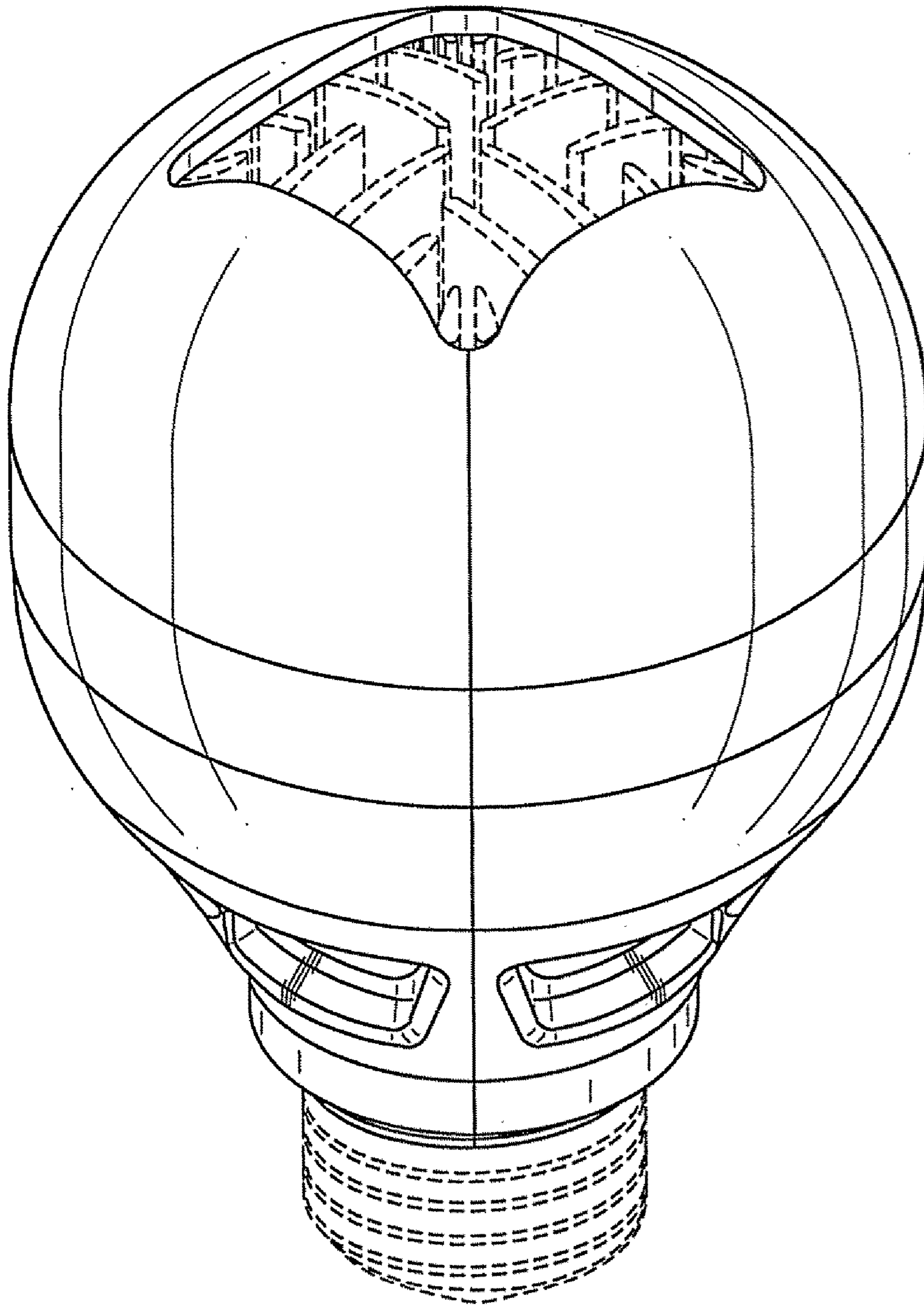


FIG. 4

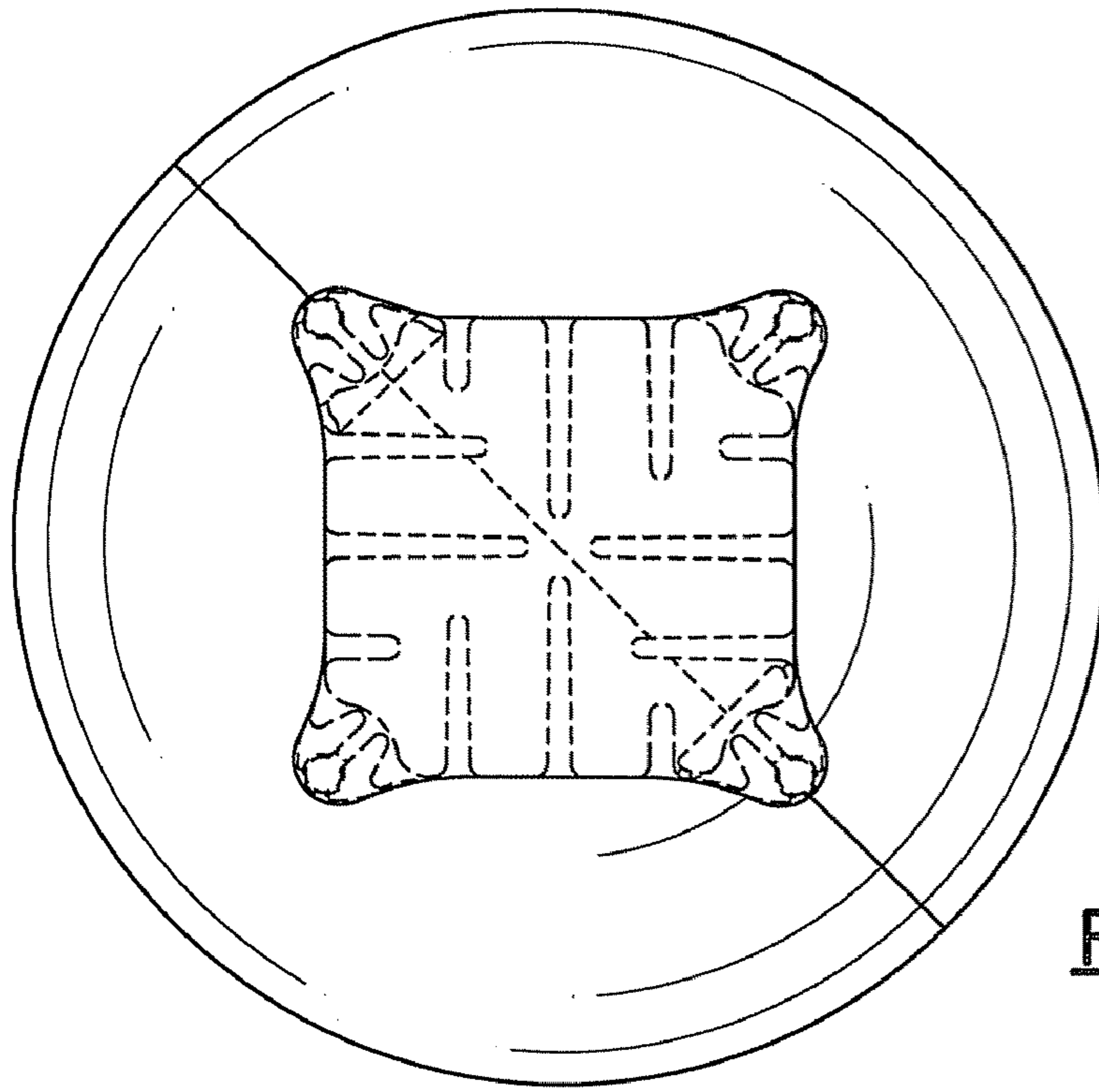


FIG. 5

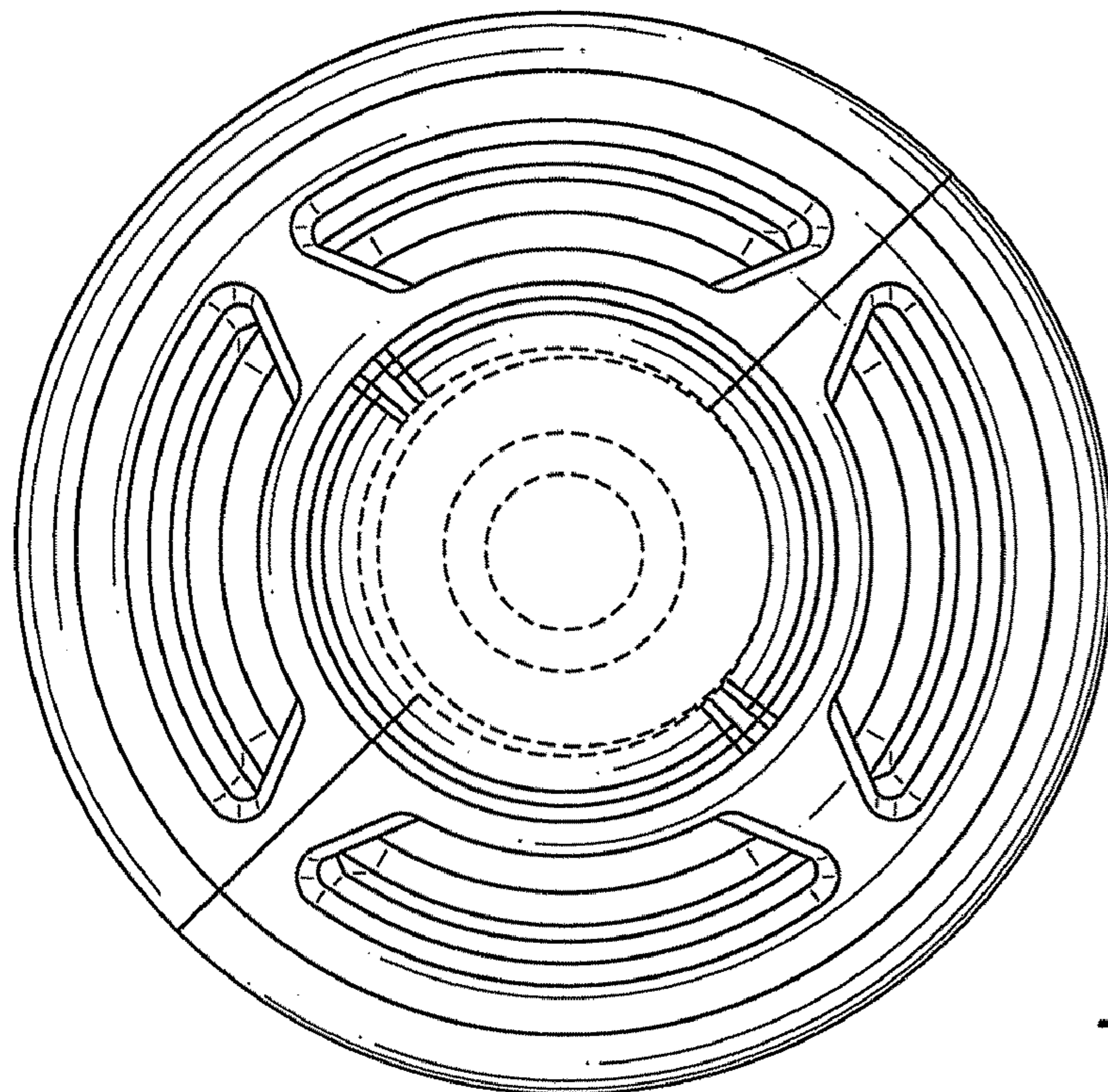


FIG. 6