



US00D644354S

(12) **United States Design Patent**
Layevsky et al.

(10) **Patent No.:** **US D644,354 S**

(45) **Date of Patent:** **** Aug. 30, 2011**

(54) **PAR LAMP**

(75) Inventors: **Dmitry Layevsky**, Newton, MA (US);
Valeriy Zolotykh, Burlington, MA (US)

(73) Assignee: **OSRAM SYLVANIA Inc.**, Danvers,
MA (US)

(**) Term: **14 Years**

(21) Appl. No.: **29/373,335**

(22) Filed: **Mar. 31, 2011**

(51) **LOC (9) Cl.** **26-06**

(52) **U.S. Cl.** **D26/2**

(58) **Field of Classification Search** D26/1-4;
313/313, 315, 316, 317, 318, 493; 315/52,
315/53, 56, 57, 58

See application file for complete search history.

GE LED PAR20 Lamps, shown in brochure, believed on sale in U.S. prior to filing date of the application herein, website www.gelighting.com visited on Dec. 2, 2010 (2 pgs, color).

GE LED PAR30 Short and Long Neck Lamps, shown in brochure, believed on sale in U.S. prior to filing date of the application herein, website www.gelighting.com visited on Dec. 2, 2010 (2 pgs, color). Nine (9) Osram Sylvania LED retrofit lamp designs, shown in brochure RETRO019R4 (c) 2010 entitled "Tomorrow, at the speed of light", on sale in U.S. prior to filing date of the application herein (6 pgs, color).

Sylvania Ultra LED Retrofit PAR20 Lamp, shown in brochure RETRO025R7 dated Nov. 2010, on sale in U.S. prior to filing date of the application herein (1 pg, color).

Sylvania Ultra LED Retrofit PAR30LN Lamp, shown in brochure RETRO027R6 dated Oct. 2010, on sale in U.S. prior to filing date of the application herein (1 pg, color).

Sylvania Ultra LED Retrofit PAR38 Lamp, shown in brochure RETRO028R6 dated Oct. 2010, on sale in U.S. prior to filing date of the application herein (1 pg, color).

(Continued)

(56) **References Cited**

U.S. PATENT DOCUMENTS

| | | | | | |
|--------------|-----|---------|-----------------|-------|-------|
| D348,527 | S * | 7/1994 | Gallant | | D26/2 |
| 6,367,949 | B1 | 4/2002 | Pederson | | |
| D468,456 | S | 1/2003 | Bobel | | |
| D470,610 | S | 2/2003 | Bobel | | |
| 6,787,999 | B2 | 9/2004 | Stimac et al. | | |
| 6,814,470 | B2 | 11/2004 | Rizkin et al. | | |
| D528,673 | S * | 9/2006 | Maxik et al. | | D26/2 |
| 7,144,135 | B2 | 12/2006 | Martin et al. | | |
| D601,279 | S | 9/2009 | Ou et al. | | |
| D610,274 | S | 2/2010 | Cho | | |
| D610,722 | S | 2/2010 | Bi | | |
| D613,434 | S | 4/2010 | Weiss | | |
| D616,120 | S * | 5/2010 | Wada et al. | | D26/2 |
| D617,918 | S * | 6/2010 | Yamamoto et al. | | D26/2 |
| D631,989 | S * | 2/2011 | Bobel | | D26/2 |
| 2010/0109499 | A1 | 5/2010 | Vilgiate et al. | | |
| 2010/0207534 | A1 | 8/2010 | Dowling et al. | | |

OTHER PUBLICATIONS

Philips EnduraLED PAR30 and PAR38 LED Lamps, shown in brochure, believed on sale in U.S. prior to filing date of the application herein, website www.lighting.philips.com visited on Dec. 2, 2010 (2 pgs, color).

Primary Examiner — Marcus Jackson

(74) *Attorney, Agent, or Firm* — Edward S. Podszus

(57) **CLAIM**

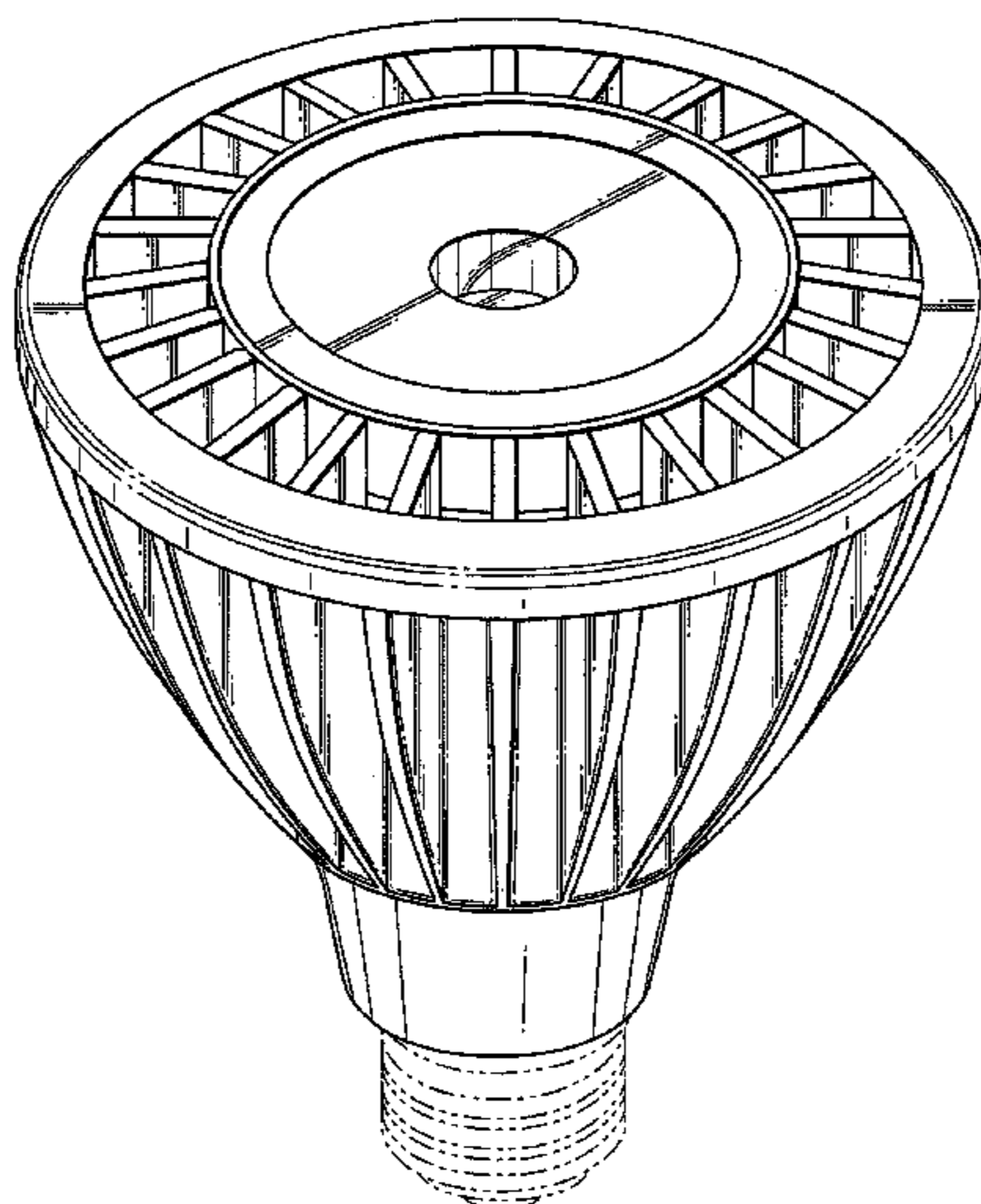
The ornamental design for a PAR lamp, as shown and described.

DESCRIPTION

FIG. 1 is a front elevational view of the new design for a PAR lamp, the design being rotationally symmetric; FIG. 2 is a top plan view thereof; FIG. 3 is a bottom plan view thereof; and, FIG. 4 is a perspective view thereof as seen from the front, top side.

The broken line disclosure is for environmental purposes only and does not form a part of the claimed design.

1 Claim, 4 Drawing Sheets



OTHER PUBLICATIONS

Rhodes PAR-30 14 Watt, shown in brochure, believed on sale in U.S. prior to filing date of the application herein, website www.ledwaves.com visited on Dec. 2, 2010 (2 pgs, color).

Lighting Science Group Definity line of six (6) LED lamps, shown in brochure, believed on sale in U.S. prior to filing date of the application herein, website www.lsgc.com visited on Dec. 2, 2010 (8 pgs, color).

Prines PAR-30 Dimmable LED Light Bulb, shown in brochure, believed on sale in U.S. prior to filing date of the application herein, website www.ledwaves.com visited on Dec. 2, 2010 (2 pgs, color).

Norman Lamps, Inc. LED-PAR30, shown in brochure, believed on sale in U.S. prior to filing date of the application herein, website www.NormanLEDs.com visited on Dec. 2, 2010 (1 pg, color).

* cited by examiner

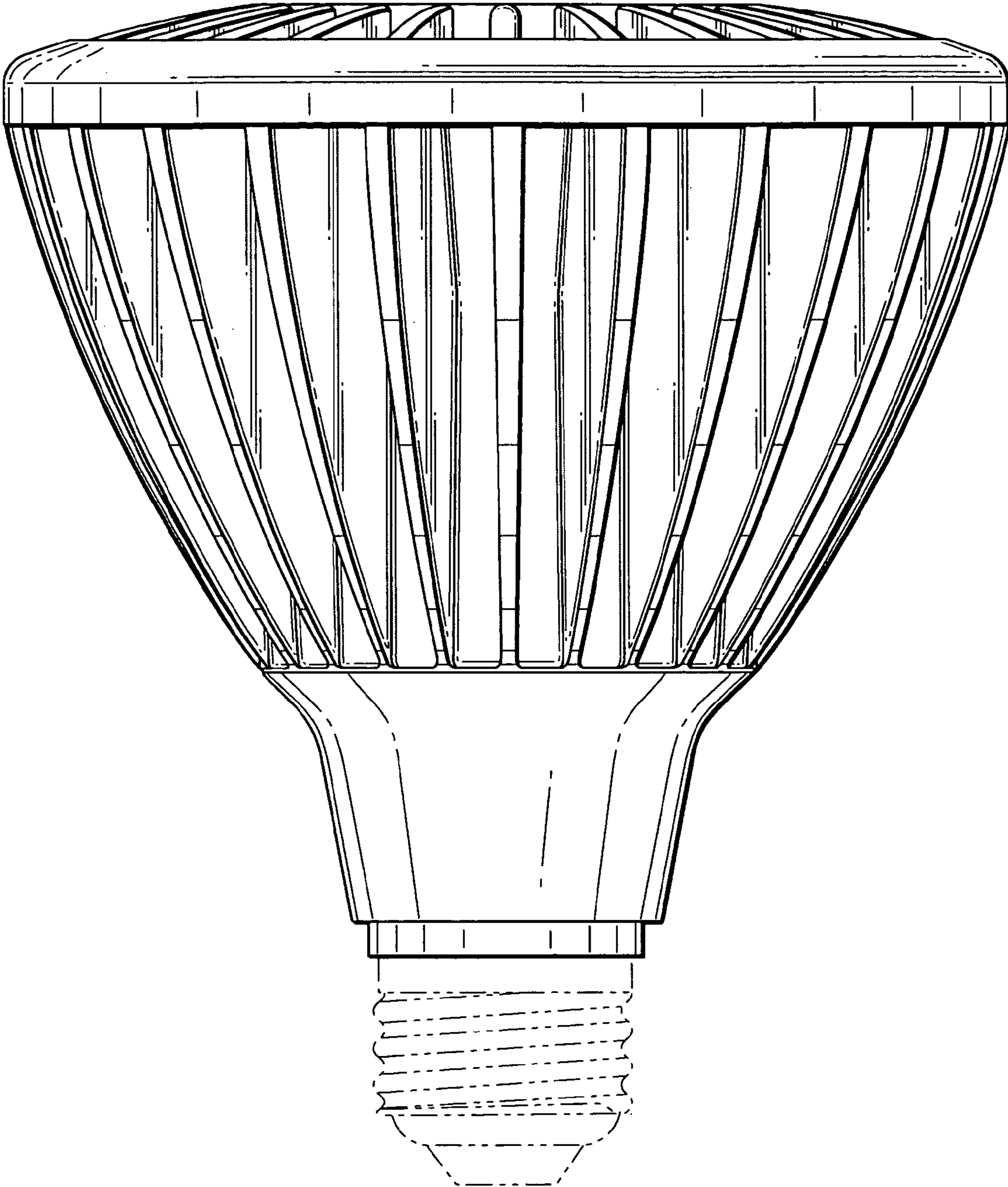


FIG. 1

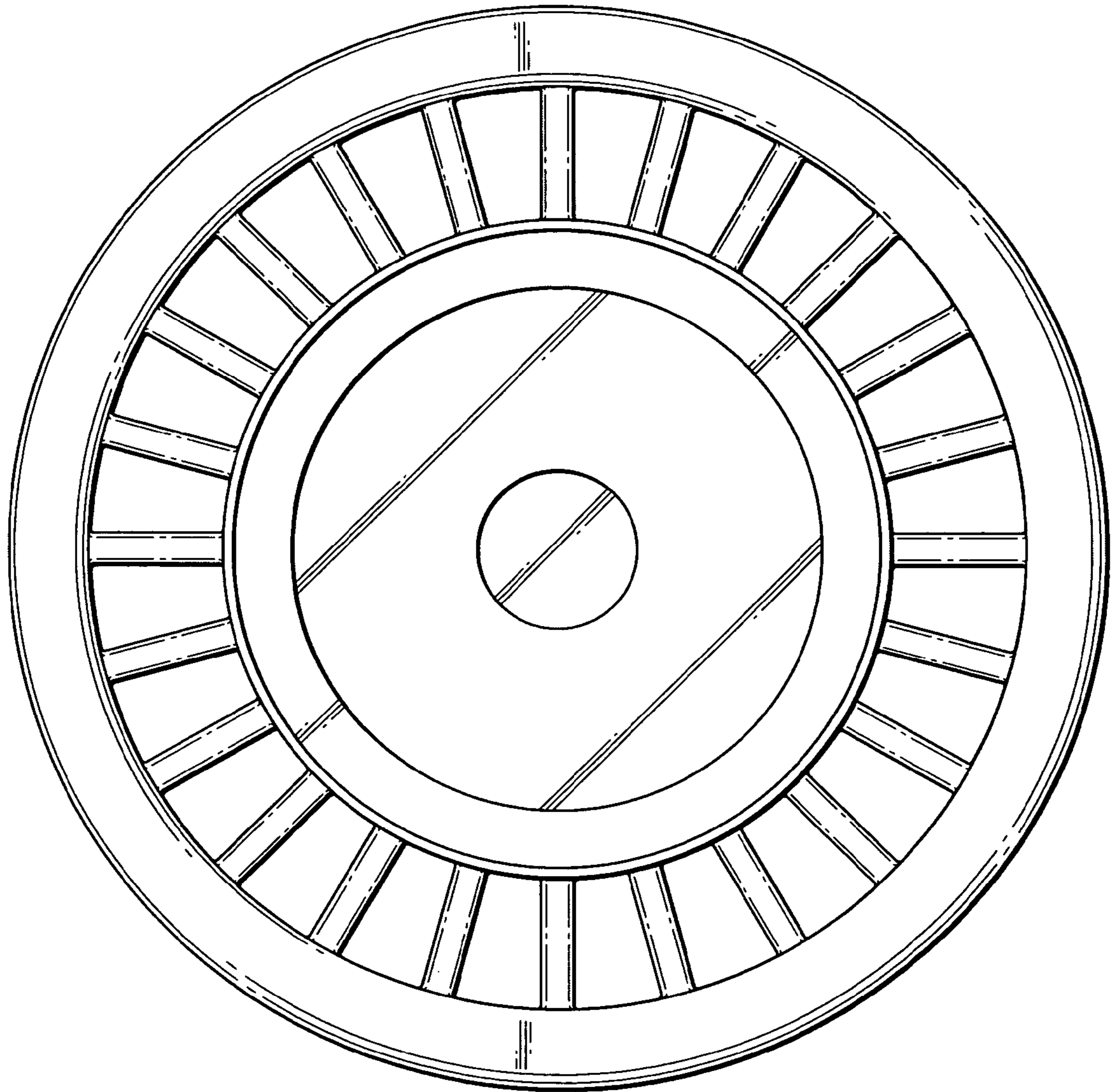


FIG. 2

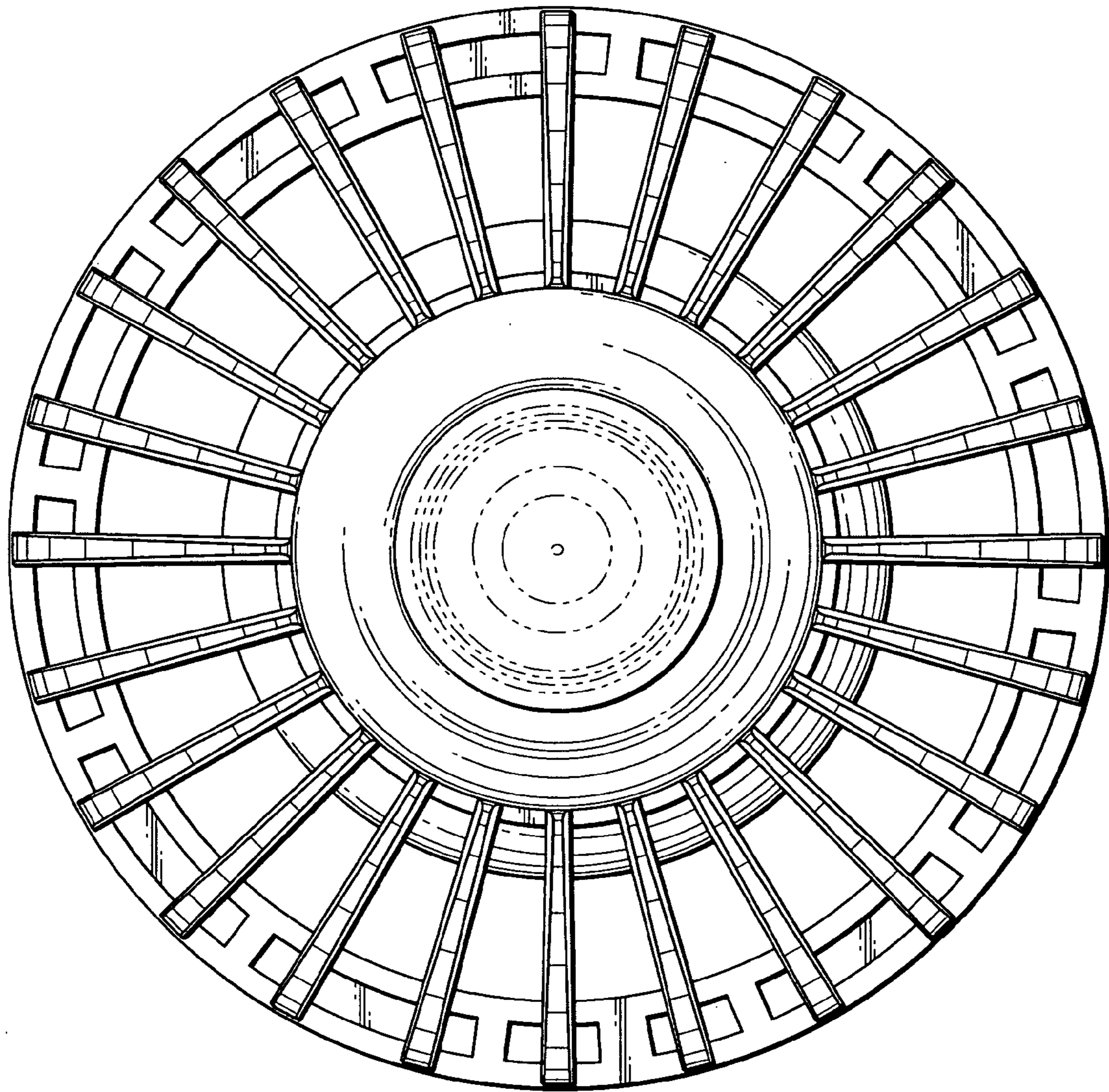


FIG. 3

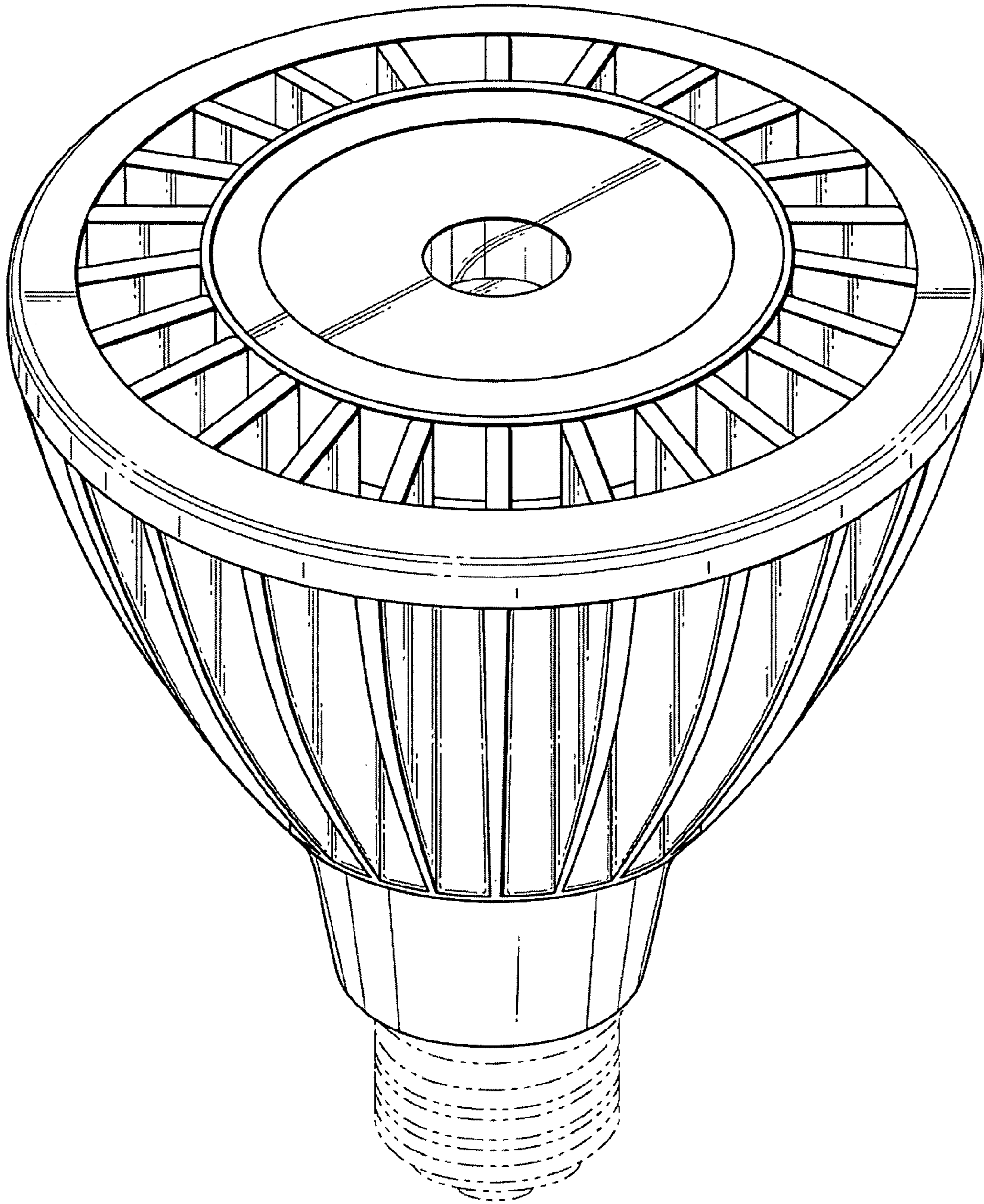


FIG. 4