

US00D644352S

(12) **United States Design Patent**
Layevsky et al.

(10) **Patent No.:** **US D644,352 S**

(45) **Date of Patent:** **** Aug. 30, 2011**

(54) **PAR LAMP**

(75) Inventors: **Dmitry Layevsky**, Newton, MA (US);
Valeriy Zolotykh, Burlington, MA (US)

(73) Assignee: **OSRAM SYLVANIA Inc.**, Danvers,
MA (US)

(**) Term: **14 Years**

(21) Appl. No.: **29/373,332**

(22) Filed: **Mar. 31, 2011**

(51) **LOC (9) Cl.** **26-04**

(52) **U.S. Cl.** **D26/2**

(58) **Field of Classification Search** D26/1-4;
313/313, 315, 316, 317, 318, 493; 315/52,
315/53, 56, 57, 58

See application file for complete search history.

(56) **References Cited**

U.S. PATENT DOCUMENTS

6,367,949	B1	4/2002	Pederson	
D468,456	S	1/2003	Bobel	
D470,610	S	2/2003	Bobel	
6,787,999	B2	9/2004	Stimac et al.	
6,814,470	B2	11/2004	Rizkin et al.	
7,144,135	B2	12/2006	Martin et al.	
D560,286	S *	1/2008	Maxik et al.	D26/2
D566,300	S *	4/2008	Lo	D26/2
D570,504	S *	6/2008	Maxik et al.	D26/2
D582,578	S *	12/2008	Tsai et al.	D26/2
D599,041	S *	8/2009	Yoo	D26/2
D601,279	S	9/2009	Ou et al.	
D610,274	S	2/2010	Cho	
D610,722	S	2/2010	Bi	
D613,434	S	4/2010	Weiss	
2010/0109499	A1	5/2010	Vilgiate et al.	
2010/0207534	A1	8/2010	Dowling et al.	

OTHER PUBLICATIONS

Philips EnduraLED PAR30 and PAR38 LED Lamps, shown in brochure, believed on sale in U.S. prior to filing date of the application herein, website www.lighting.philips.com visited on Dec. 2, 2010 (2 pgs, color).

GE LED PAR20 Lamps, shown in brochure, believed on sale in U.S. prior to filing date of the application herein, website www.gelighting.com visited on Dec. 2, 2010 (2 pgs, color).

GE LED PAR30 Short and Long Neck Lamps, shown in brochure, believed on sale in U.S. prior to filing date of the application herein, website www.gelighting.com visited on Dec. 2, 2010 (2 pgs, color).
Nine (9) Osram Sylvania LED retrofit lamp designs, shown in brochure RETRO019R4 (c) 2010 entitled "Tomorrow, at the speed of light", on sale in U.S. prior to filing date of the application herein (6 pgs, color).

Sylvania Ultra LED Retrofit PAR20 Lamp, shown in brochure RETRO025R7 dated Nov. 2010, on sale in U.S. prior to filing date of the application herein (1 pg, color).

Sylvania Ultra LED Retrofit PAR30LN Lamp, shown in brochure RETRO027R6 dated Oct. 2010, on sale in U.S. prior to filing date of the application herein (1 pg, color).

Sylvania Ultra LED Retrofit PAR38 Lamp, shown in brochure RETRO028R6 dated Oct. 2010, on sale in U.S. prior to filing date of the application herein (1 pg, color).

(Continued)

Primary Examiner — Marcus Jackson

(74) *Attorney, Agent, or Firm* — Edward S. Podszus

(57) **CLAIM**

The ornamental design for a par lamp, as shown and described.

DESCRIPTION

FIG. 1 is a front elevational view of the new design for a par lamp, the design being rotationally symmetric;

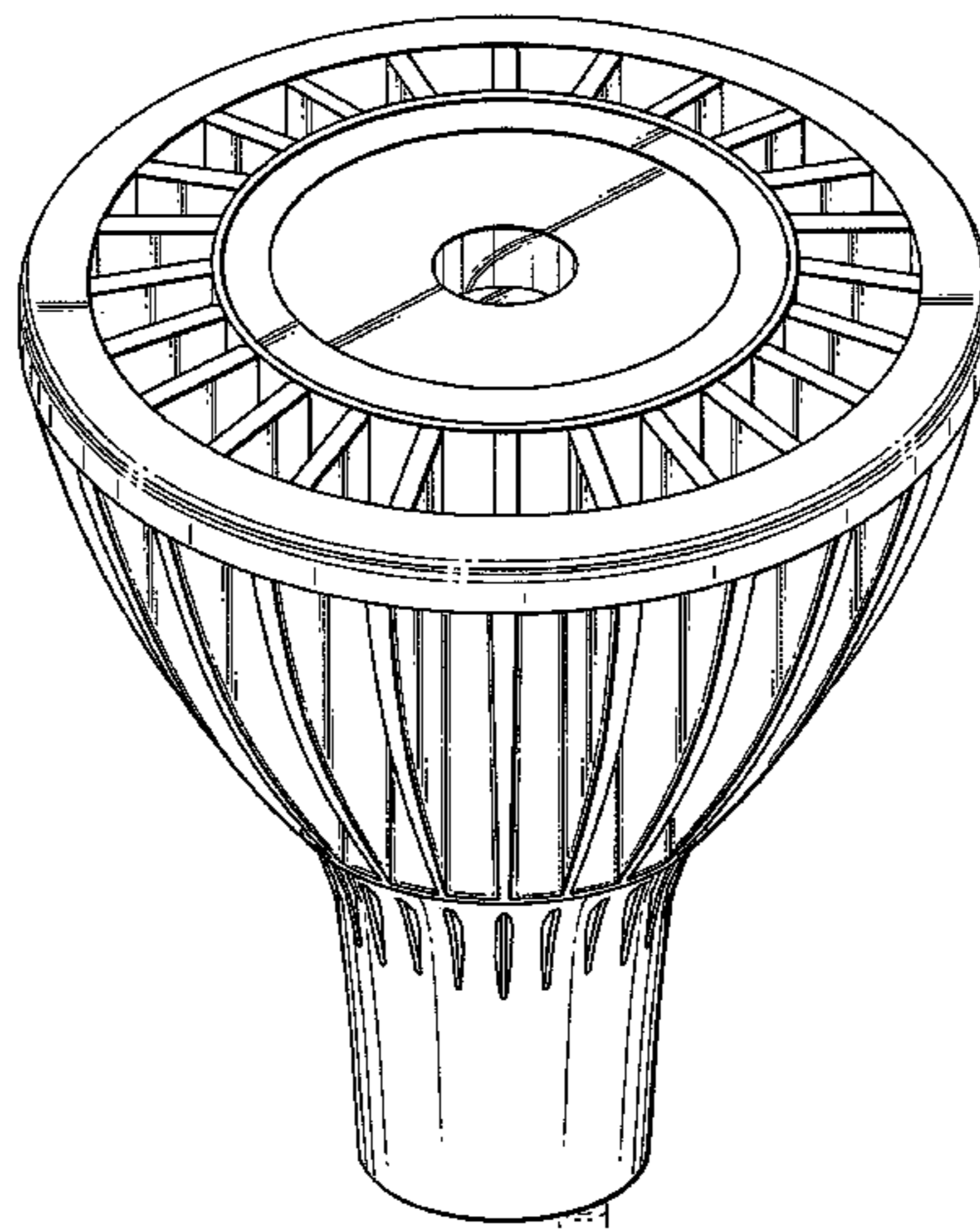
FIG. 2 is a top plan view thereof;

FIG. 3 is a bottom plan view thereof; and,

FIG. 4 is a perspective view thereof as seen from the front, left side.

The broken line disclosure is for environmental purposes only and does not form a part of the claimed design.

1 Claim, 4 Drawing Sheets



OTHER PUBLICATIONS

Rhodes PAR-30 14 Watt, shown in brochure, believed on sale in U.S. prior to filing date of the application herein, website www.ledwaves.com visited on Dec. 2, 2010 (2 pgs, color).

Lighting Science Group Definity line of six (6) LED lamps, shown in brochure, believed on sale in U.S. prior to filing date of the application herein, website www.lsgc.com visited on Dec. 2, 2010 (8 pgs, color).

Prines PAR-30 Dimmable LED Light Bulb, shown in brochure, believed on sale in U.S. prior to filing date of the application herein, website www.ledwaves.com visited on Dec. 2, 2010 (2 pgs, color).

Norman Lamps, Inc. LED-PAR30, shown in brochure, believed on sale in U.S. prior to filing date of the application herein, website www.NormanLEDs.com visited on Dec. 2, 2010 (1 pg, color).

* cited by examiner

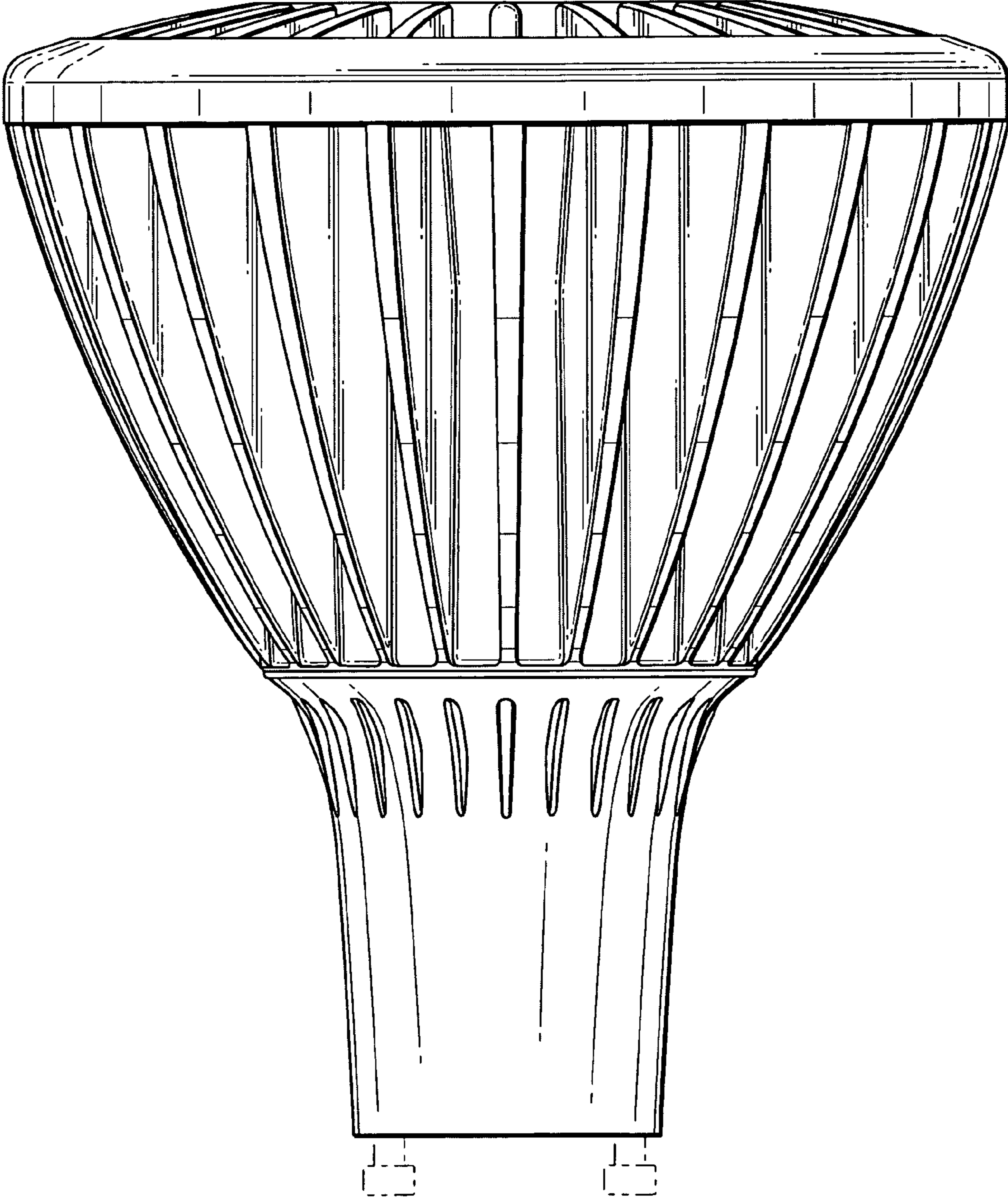


FIG. 1

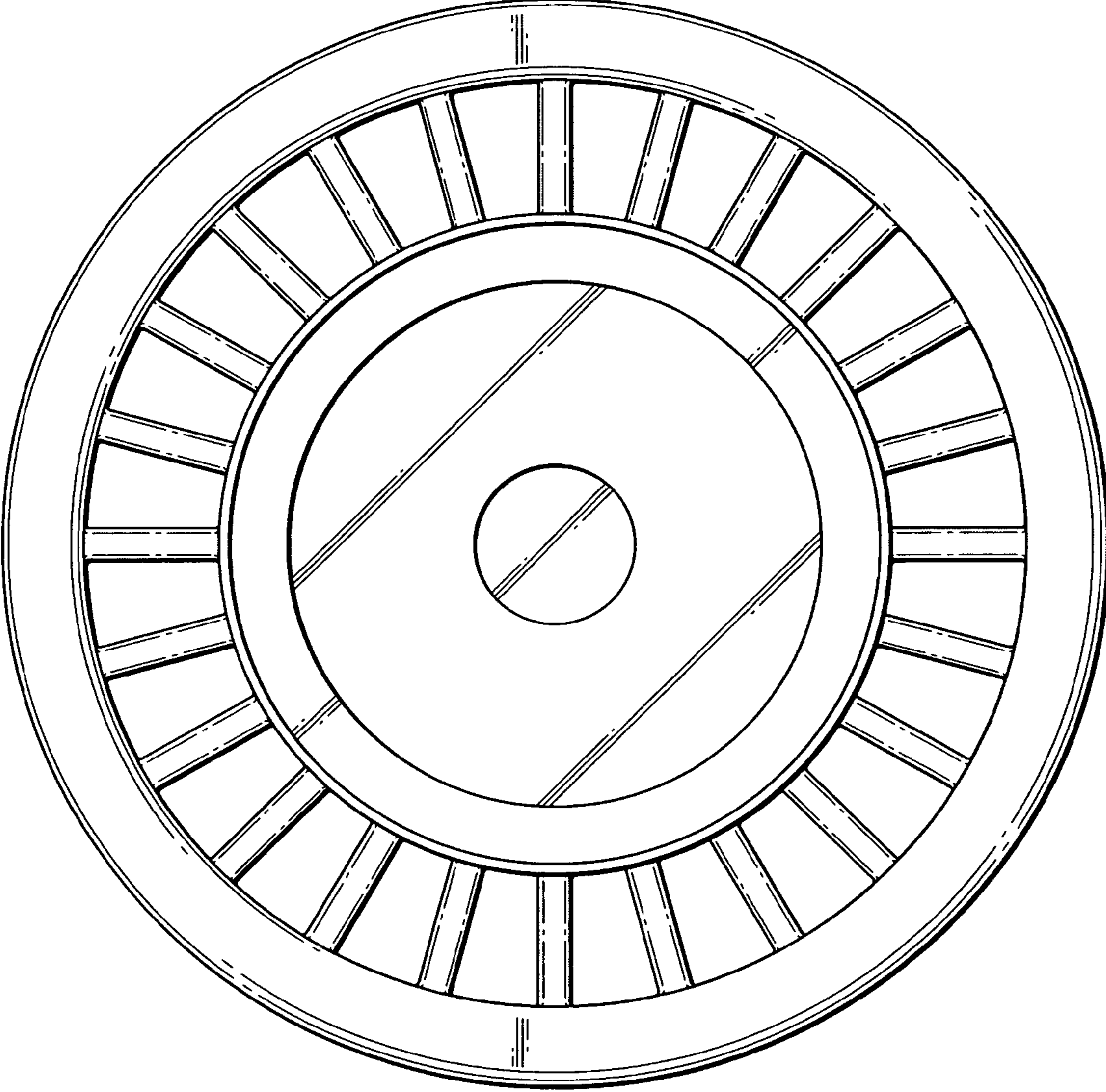


FIG. 2

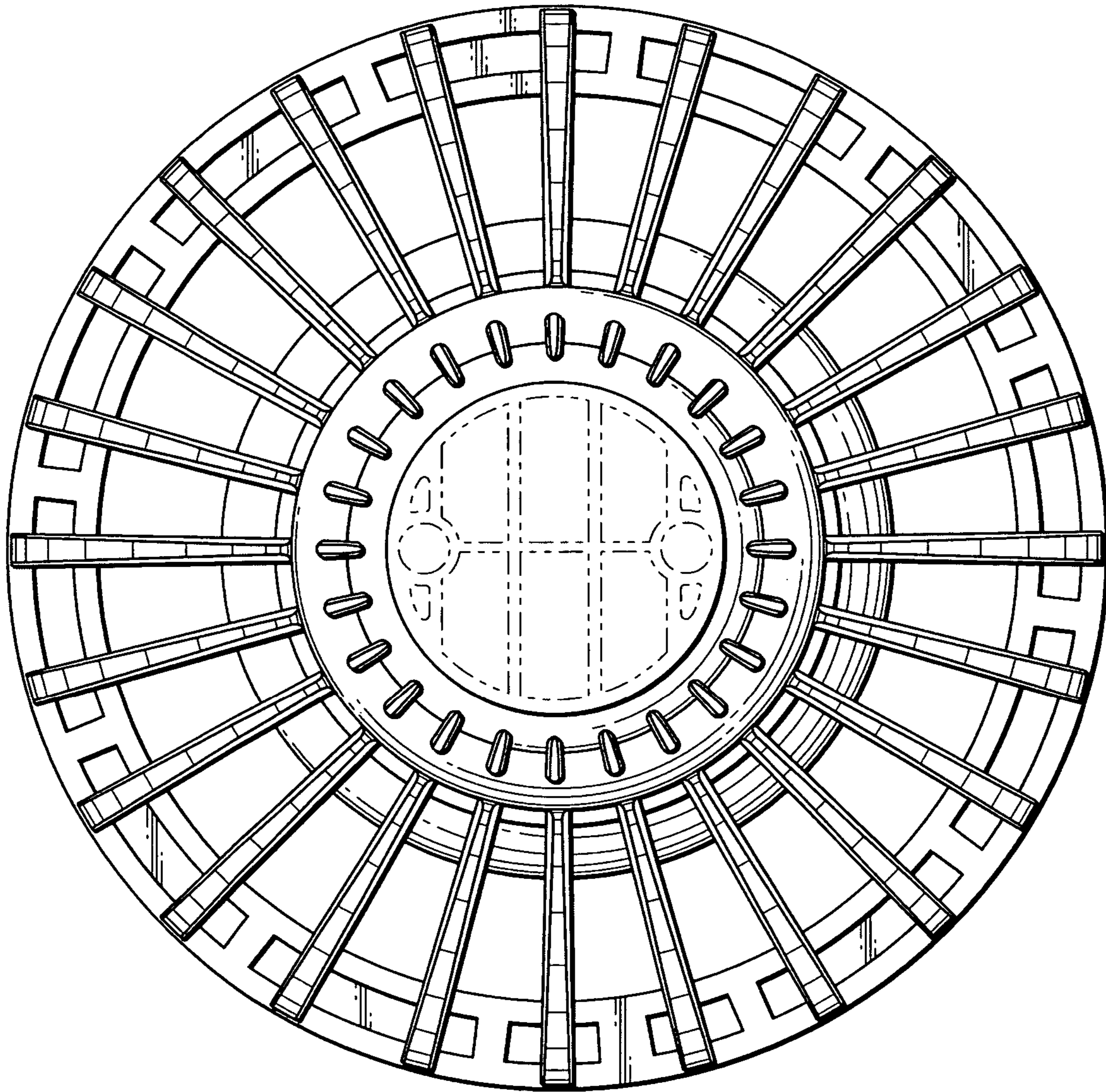


FIG. 3

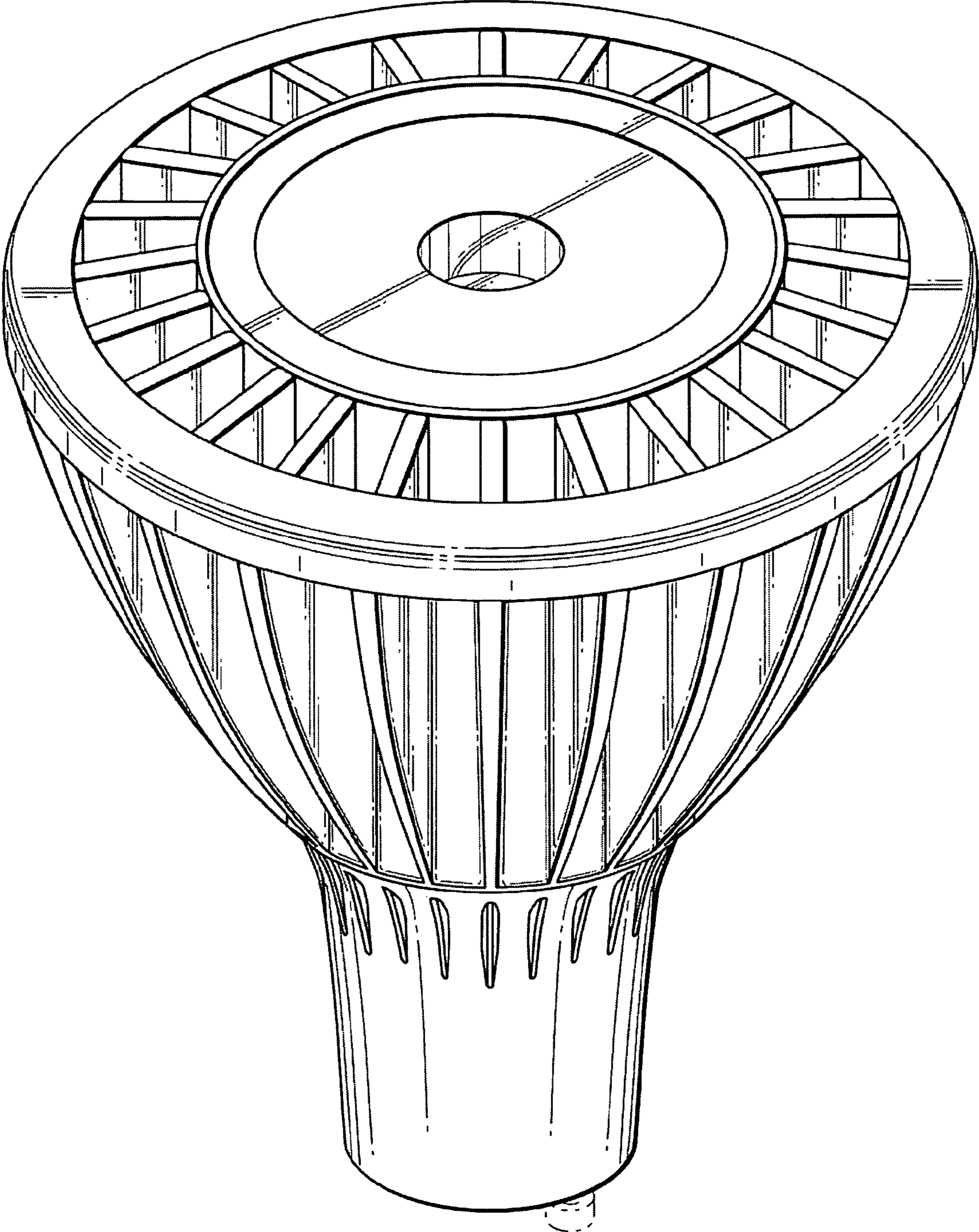


FIG. 4