



US00D644350S

(12) **United States Design Patent**
Hasse

(10) **Patent No.:** **US D644,350 S**

(45) **Date of Patent:** **** Aug. 30, 2011**

- (54) **SPEAKER LIGHT BULB**
- (75) Inventor: **Edward H. Hasse**, Thompson Falls, MT (US)
- (73) Assignee: **Kadence Designs, LLC**, Thompson Falls, MT (US)
- (**) Term: **14 Years**
- (21) Appl. No.: **29/365,303**
- (22) Filed: **Jul. 7, 2010**

4,433,363	A	2/1984	Weber	
4,528,620	A	7/1985	Weber	
4,559,584	A	12/1985	Kuwahata et al.	
4,559,984	A	12/1985	Wycech	
D286,756	S *	11/1986	Menke et al.	
4,776,018	A	10/1988	Cordier	
4,875,143	A	10/1989	Fernandez	
4,953,584	A	9/1990	Vegso	
5,477,205	A	12/1995	Burns	
5,772,307	A	6/1998	Philyaw	
5,828,765	A	10/1998	Gable	
5,889,468	A	3/1999	Banga	
5,905,438	A	5/1999	Weiss et al.	
5,962,992	A	10/1999	Huang et al.	
5,980,057	A	11/1999	Christie	
5,995,634	A	11/1999	Zwolski	
D433,166	S *	10/2000	Noll	D26/2
D435,306	S *	12/2000	McBride	D26/2
6,225,907	B1	5/2001	Derryberry et al.	
6,438,221	B1	8/2002	Lee	
6,466,132	B1	10/2002	Caronna	
6,630,800	B2	10/2003	Weng	

Related U.S. Application Data

- (63) Continuation-in-part of application No. 12/072,606, filed on Feb. 28, 2008, now Pat. No. 7,817,016, and a continuation-in-part of application No. 11/492,186, filed on Jul. 25, 2006, and a continuation of application No. 11/386,472, filed on Mar. 23, 2006, now Pat. No. 7,535,341.
- (51) **LOC (9) Cl.** **26-04**
- (52) **U.S. Cl.** **D26/2**
- (58) **Field of Classification Search** D26/1-4;
313/313, 315, 316, 317, 318, 493; 315/52,
315/53, 56, 57, 58
See application file for complete search history.

Primary Examiner — Marcus Jackson
(74) *Attorney, Agent, or Firm* — Fish & Associates, PC

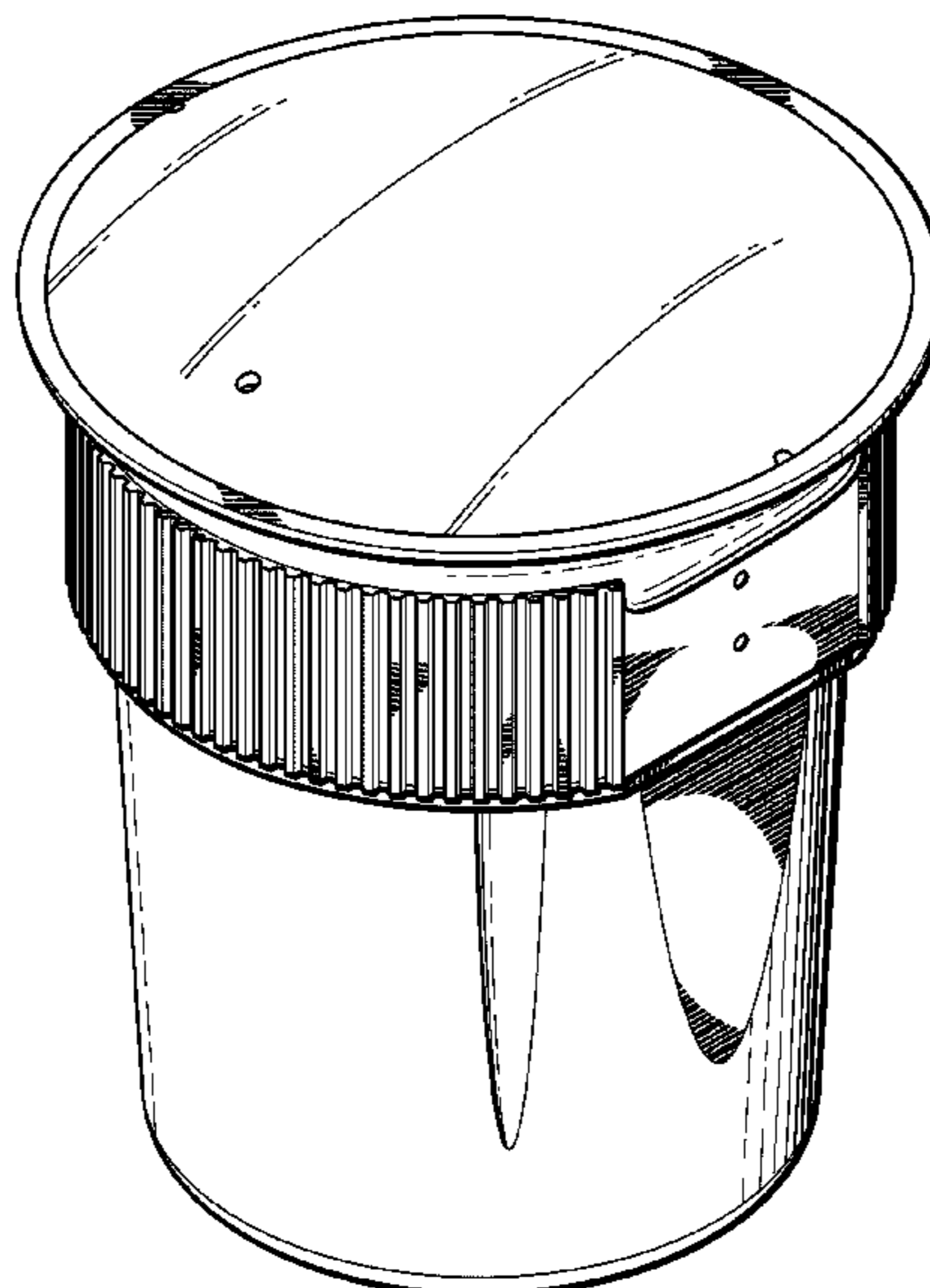
(57) **CLAIM**
The ornamental design of the speaker light bulb, as shown and described.

DESCRIPTION

FIG. 1 is a perspective view of the speaker light bulb; FIG. 2 is a front elevation view of the speaker light bulb; FIG. 3 is right side elevation view of the speaker light bulb, where left side elevation is a mirror image; FIG. 4 is a top plan view of the speaker light bulb; and, FIG. 5 is a bottom view of the speaker light bulb. The broken line showing of the lines on the speaker light bulb that is included for the purpose of illustrating environment and forms no part of the claimed design.

1 Claim, 4 Drawing Sheets

- (56) **References Cited**
- U.S. PATENT DOCUMENTS
- 286,756 A * 10/1883 Wtnklee
- 1,272,843 A 7/1918 Pape
- 2,083,753 A 6/1937 Turner
- 2,501,968 A 3/1950 Sassin
- 2,924,661 A 2/1960 Messeas, Jr.
- 3,023,830 A 3/1962 Johann
- 3,194,952 A 7/1965 Wells
- 3,478,837 A 11/1969 Ross
- 4,214,298 A 7/1980 Propst et al.
- 4,280,019 A 7/1981 Propst et al.
- 4,365,237 A 12/1982 Knight



US D644,350 S

Page 2

U.S. PATENT DOCUMENTS

7,535,341	B2	5/2009	Haase	
D600,370	S *	9/2009	MacKenzie	D26/2
D634,865	S *	3/2011	Chao	D26/2
D635,280	S *	3/2011	Chao	D26/2
2003/0127990	A1	7/2003	Weng	
2004/0105264	A1	6/2004	Spero	
2004/0175014	A1 *	9/2004	Liu	
2005/0128743	A1 *	6/2005	Chuey et al.	
2005/0175209	A1 *	8/2005	Powers	
2005/0185392	A1 *	8/2005	Walter et al.	
2006/0254853	A1 *	11/2006	Van Gieson	
2007/0222631	A1 *	9/2007	Haase	

* cited by examiner

FIG. 1

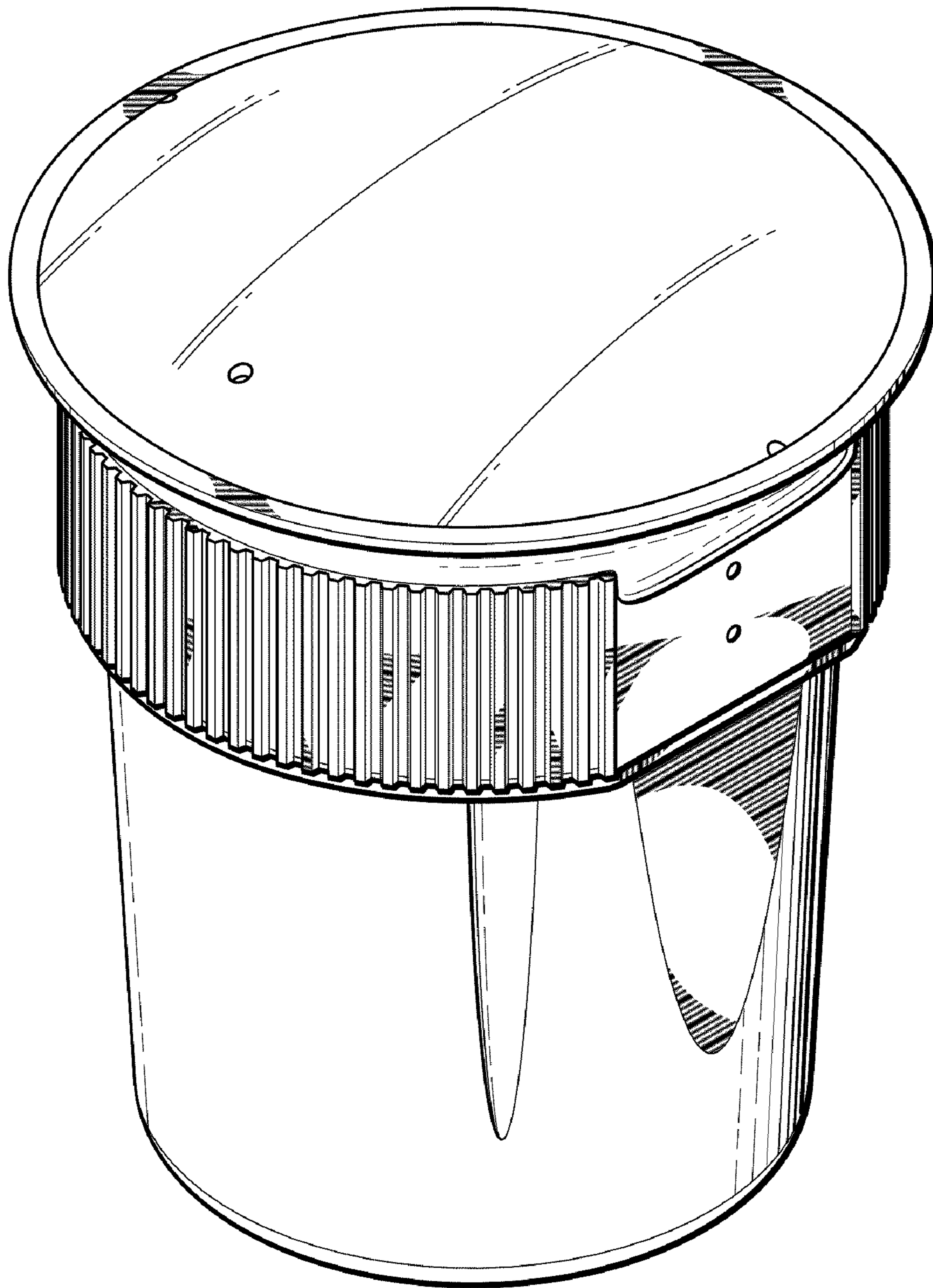


FIG. 2

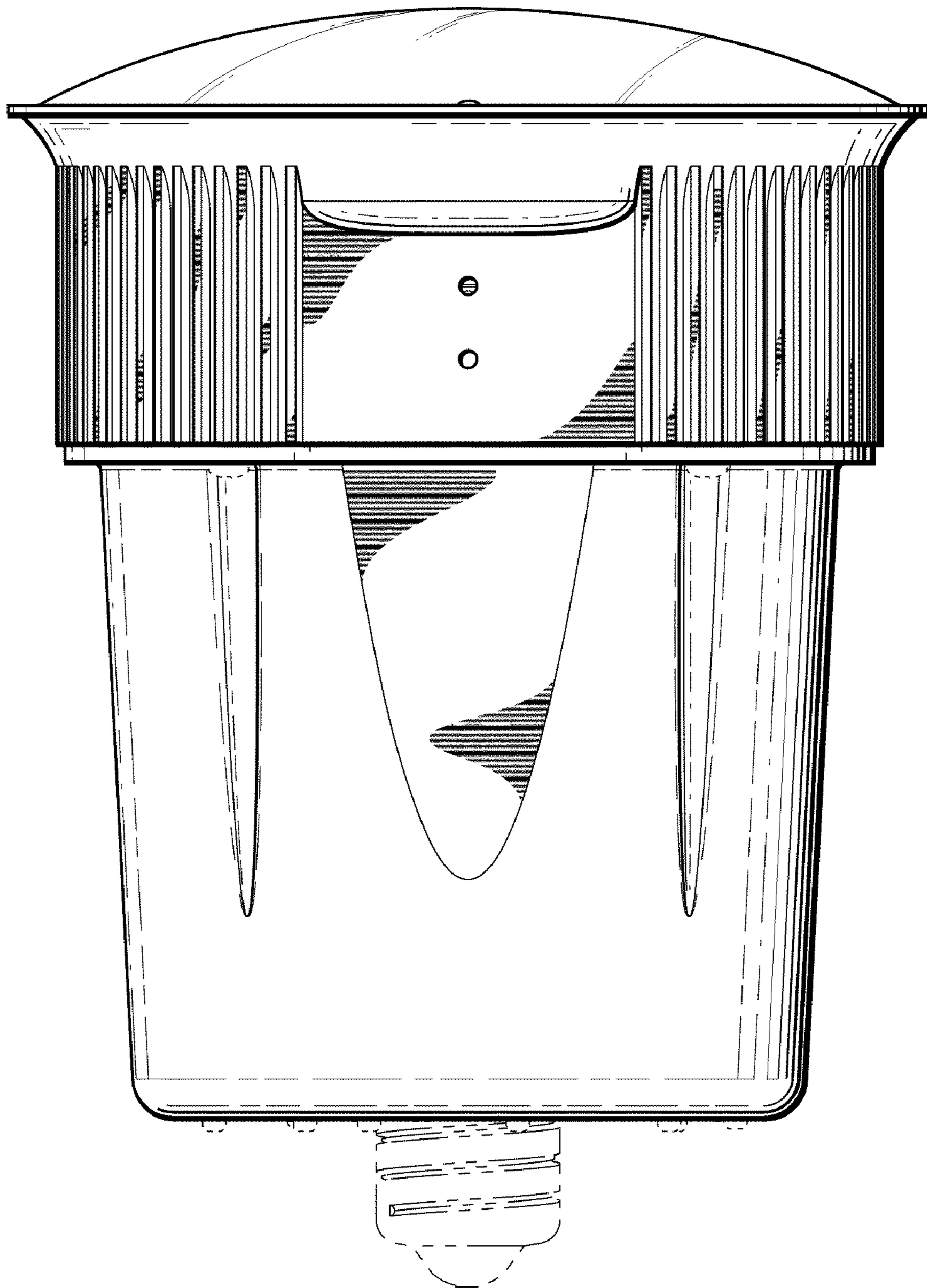
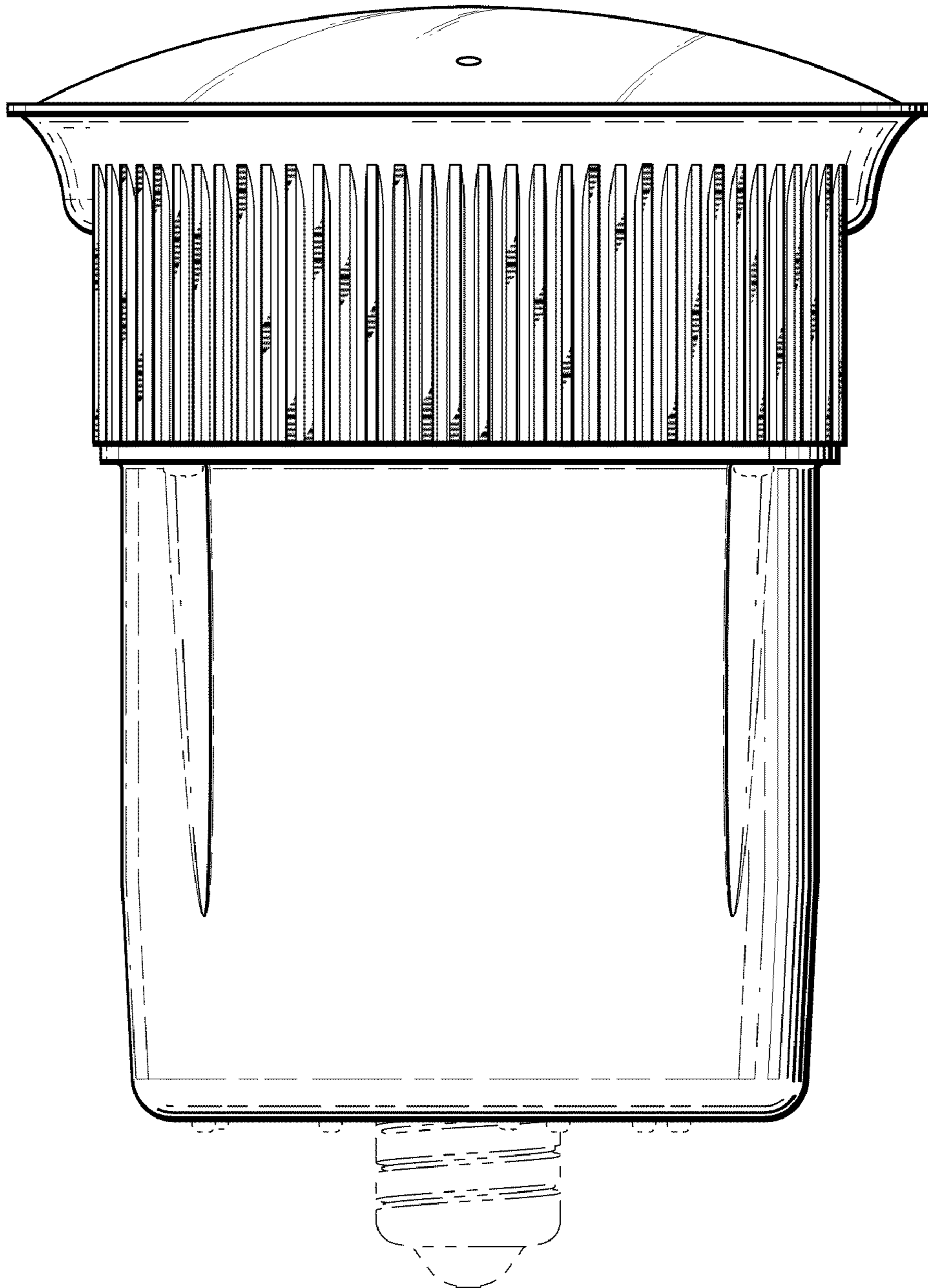


FIG. 3



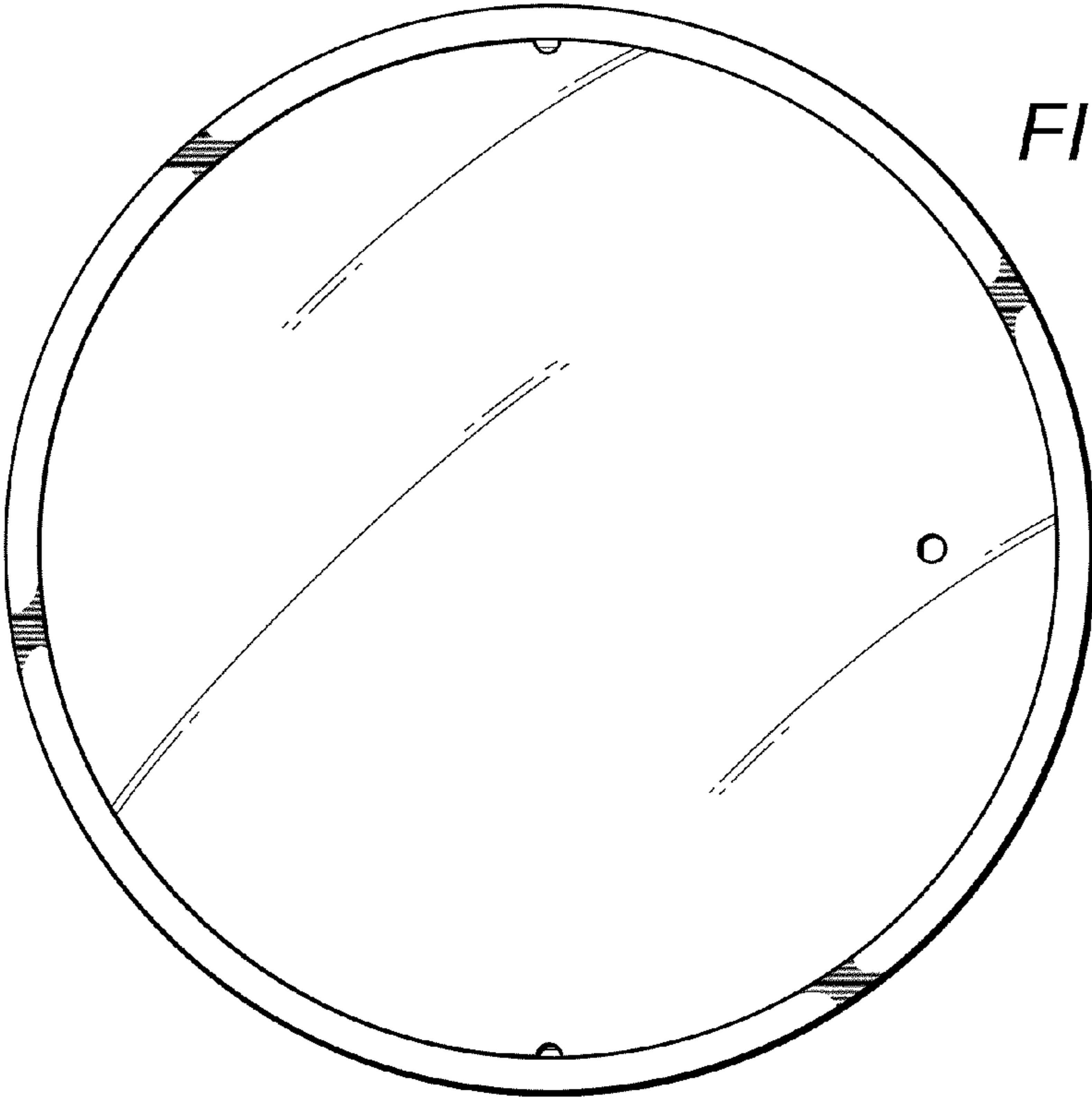


FIG. 4

FIG. 5

