



US00D644337S

(12) **United States Design Patent**  
**Belfance et al.**

(10) **Patent No.:** **US D644,337 S**

(45) **Date of Patent:** **\*\* Aug. 30, 2011**

(54) **VIAL**

(75) Inventors: **John Belfance**, Phenix City, AL (US);  
**Ronald Supranowicz**, Lenox, MA (US)

(73) Assignee: **CSP Technologies, Inc.**, Auburn, AL  
(US)

(\*\*) Term: **14 Years**

(21) Appl. No.: **29/380,904**

(22) Filed: **Dec. 13, 2010**

(51) **LOC (9) Cl.** ..... **24-01**

(52) **U.S. Cl.** ..... **D24/224**

(58) **Field of Classification Search** ..... D24/216–232,  
D24/110, 115; D10/81; 422/500, 547, 549,  
422/556, 557, 558; 435/287.1, 288.1; D3/203.1,  
D3/203.2; D9/420, 529, 549, 503, 504;  
215/235–237

See application file for complete search history.

(56) **References Cited**

**U.S. PATENT DOCUMENTS**

D238,886	S *	2/1976	Goy	.....	D24/224
D263,023	S *	2/1982	Commisso	.....	D9/420
5,012,941	A	5/1991	Abrams		
6,398,067	B1	6/2002	Belfance		
6,705,463	B1	3/2004	Bucholtz		
D491,275	S *	6/2004	Walters et al.	.....	D24/224
6,769,558	B1	8/2004	Bucholtz		
D510,867	S *	10/2005	Uzkan	.....	D9/504
D555,490	S *	11/2007	Liu	.....	D9/549
D574,507	S *	8/2008	Muir et al.	.....	D24/224
7,413,083	B2	8/2008	Belfance		
D589,305	S *	3/2009	Morales	.....	D7/629
D599,032	S	8/2009	Bucholtz		
D599,655	S *	9/2009	Friebe et al.	.....	D9/420
D608,011	S	1/2010	Giraud		
D618,362	S	6/2010	Giraud et al.		

(Continued)

**FOREIGN PATENT DOCUMENTS**

WO 0228736 4/2002

(Continued)

*Primary Examiner* — Anhdao Doan

(57) **CLAIM**

The ornamental design for a vial, as shown and described.

**DESCRIPTION**

FIG. 1 is a perspective view of a first embodiment of the vial, in a closed state;

FIG. 2 is a perspective view of the vial of FIG. 1, in an opened state;

FIG. 3 is a top plan view of the vial of FIG. 1, in an opened state;

FIG. 4 is a bottom plan view of the vial of FIG. 1, in an opened state;

FIG. 5 is a right side elevation of the vial of FIG. 1, in an opened state;

FIG. 6 is a front elevation of the vial of FIG. 1, in an opened state;

FIG. 7 is a left side elevation of the vial of FIG. 1, in an opened state;

FIG. 8 is a rear elevation of the vial of FIG. 1, in an opened state;

FIG. 9 is a cross sectional view of the vial of FIG. 1, in a closed state;

FIG. 10 is a cross sectional view of the vial of FIG. 1, in an opened state;

FIG. 11 is a perspective view of a second embodiment of the vial, in an opened state;

FIG. 12 is a top plan view of the vial of FIG. 9, in an opened state;

FIG. 13 is a bottom plan view of the vial of FIG. 9, in an opened state;

FIG. 14 is a right side elevation of the vial of FIG. 9, in an opened state;

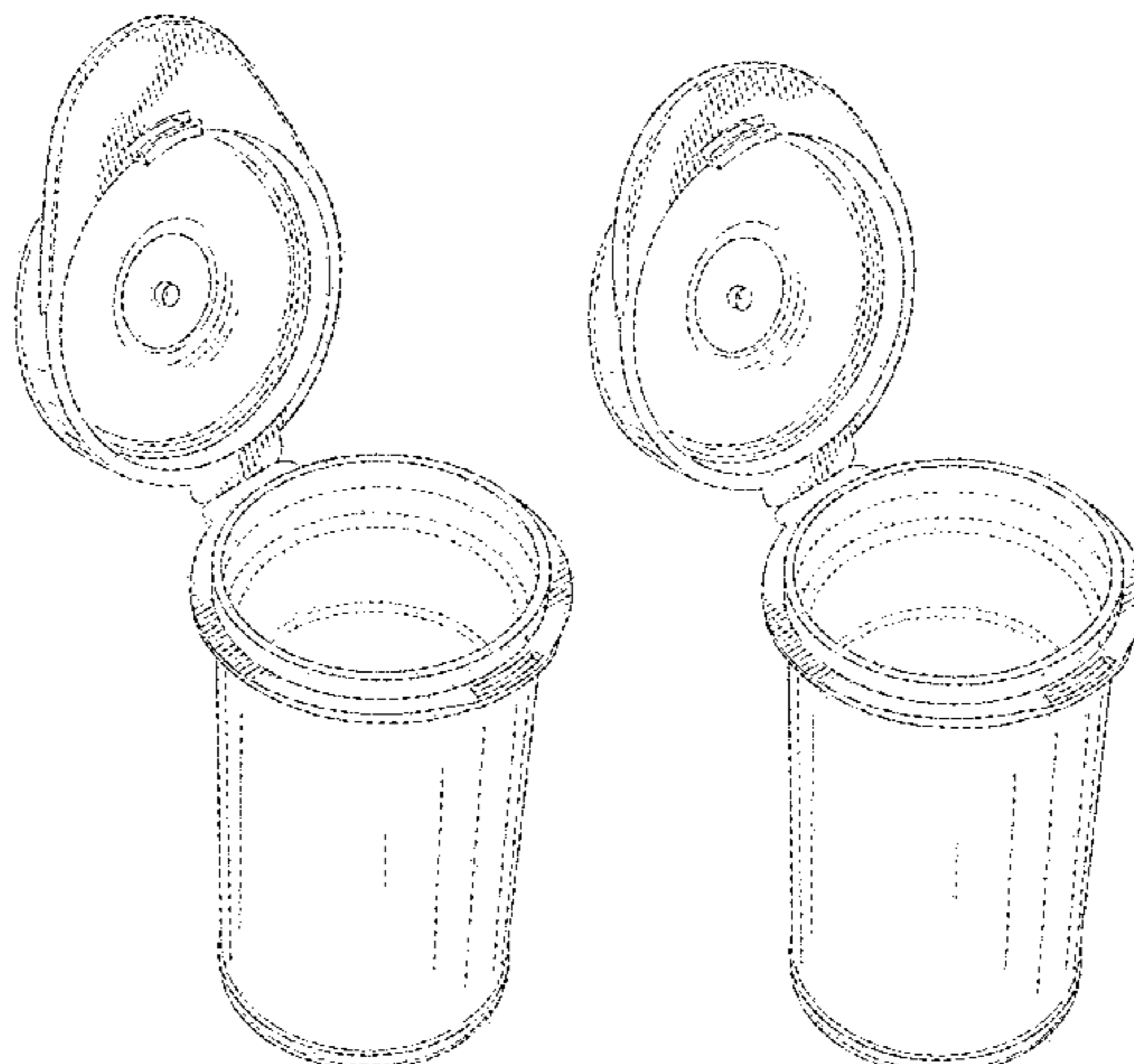
FIG. 15 is a front elevation of the vial of FIG. 9, in an opened state;

FIG. 16 is a left side elevation of the vial of FIG. 9, in an opened state; and,

FIG. 17 is a rear elevation of the vial of FIG. 9, in an opened state.

The broken lines in the drawing views are included for the purpose of illustrating portions of the vial that form no part of the claimed design

**1 Claim, 11 Drawing Sheets**



# US D644,337 S

Page 2

---

## U.S. PATENT DOCUMENTS

D621,951 S 8/2010 Bucholtz  
D627,081 S 11/2010 Giraud  
7,854,895 B2\* 12/2010 Gallagher et al. .... 422/553  
2006/0219727 A1 10/2006 Giraud  
2007/0051739 A1 3/2007 Giraud  
2007/0080093 A1\* 4/2007 Boozer et al. .... 206/569  
2007/0228061 A1 10/2007 Giraud  
2008/0081000 A1\* 4/2008 MacLeod et al. .... 422/68.1

2009/0095699 A1\* 4/2009 Milante ..... 215/217  
2009/0166312 A1 7/2009 Giraud

## FOREIGN PATENT DOCUMENTS

WO 2007109166 9/2007  
WO 2009149324 10/2009  
WO 2009140627 11/2009

\* cited by examiner

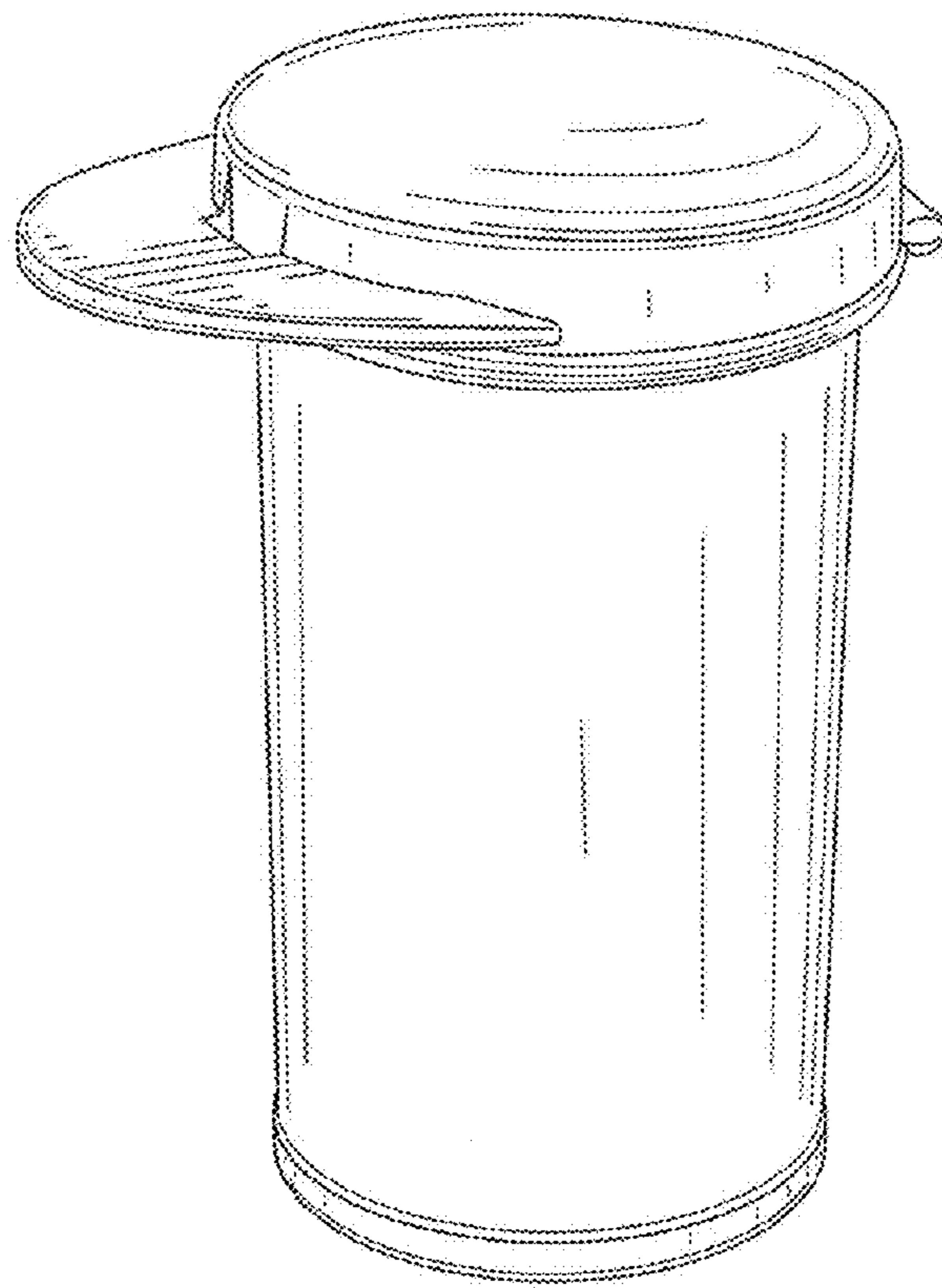


FIG. 1

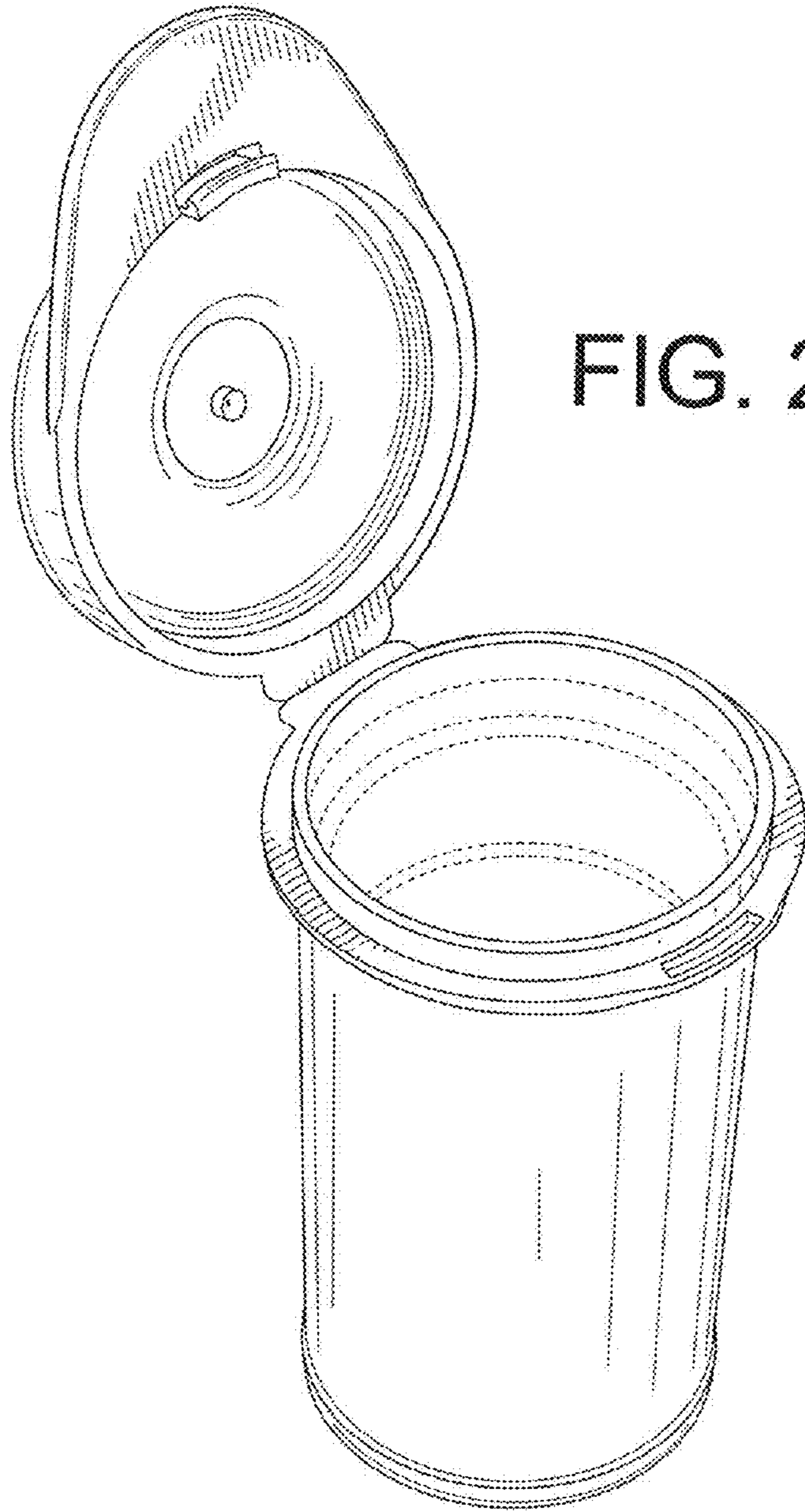


FIG. 2

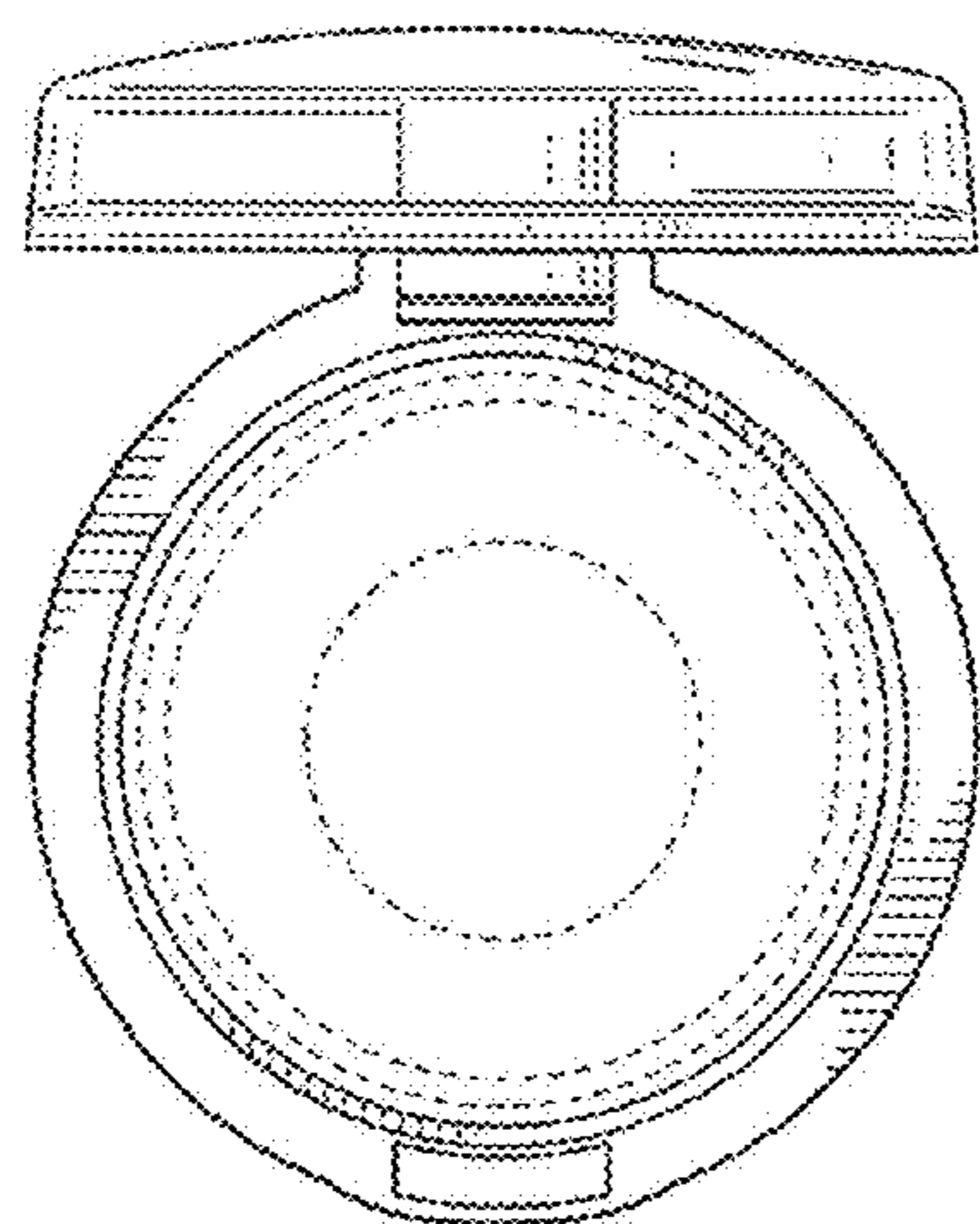


FIG. 3

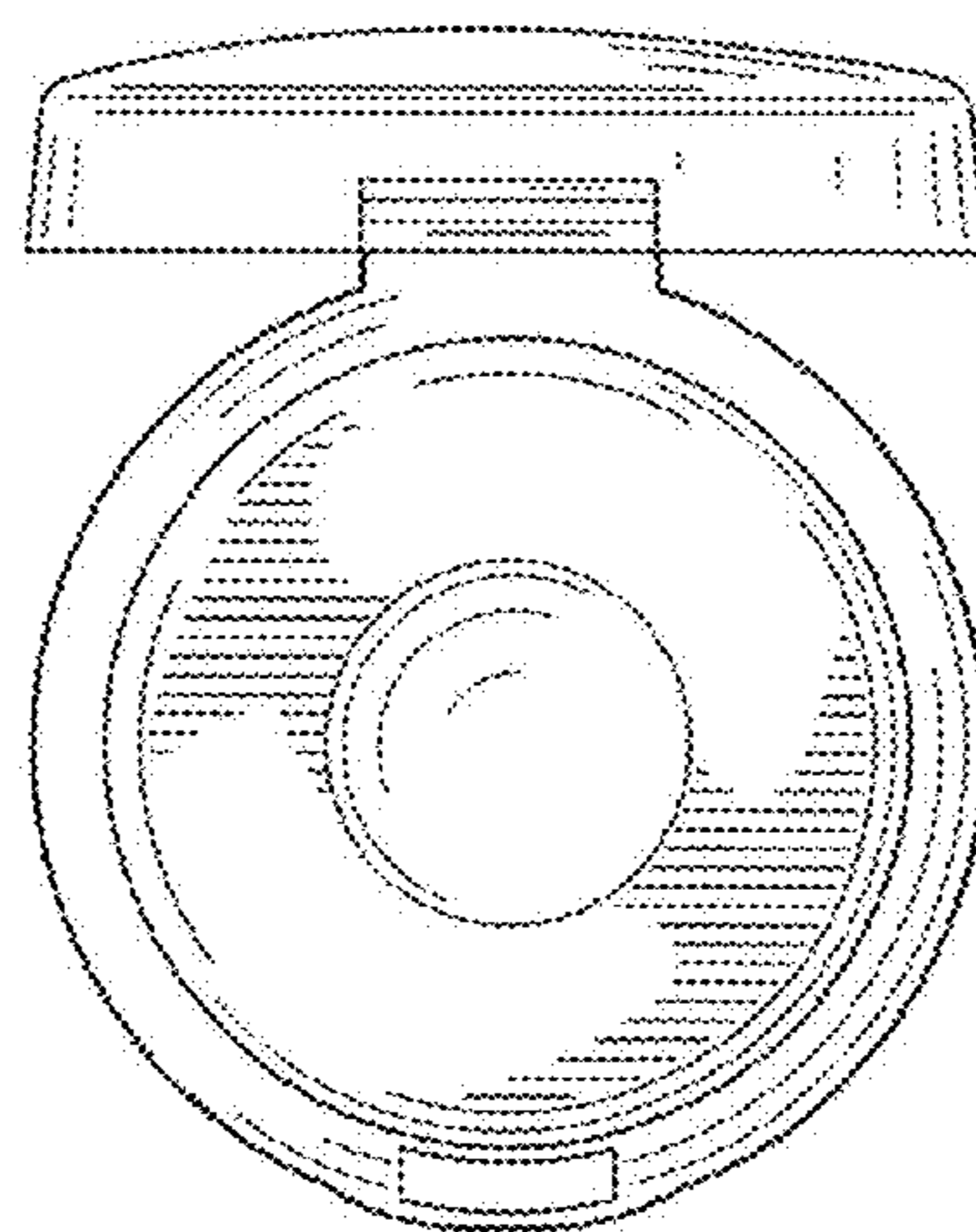


FIG. 4

FIG. 5

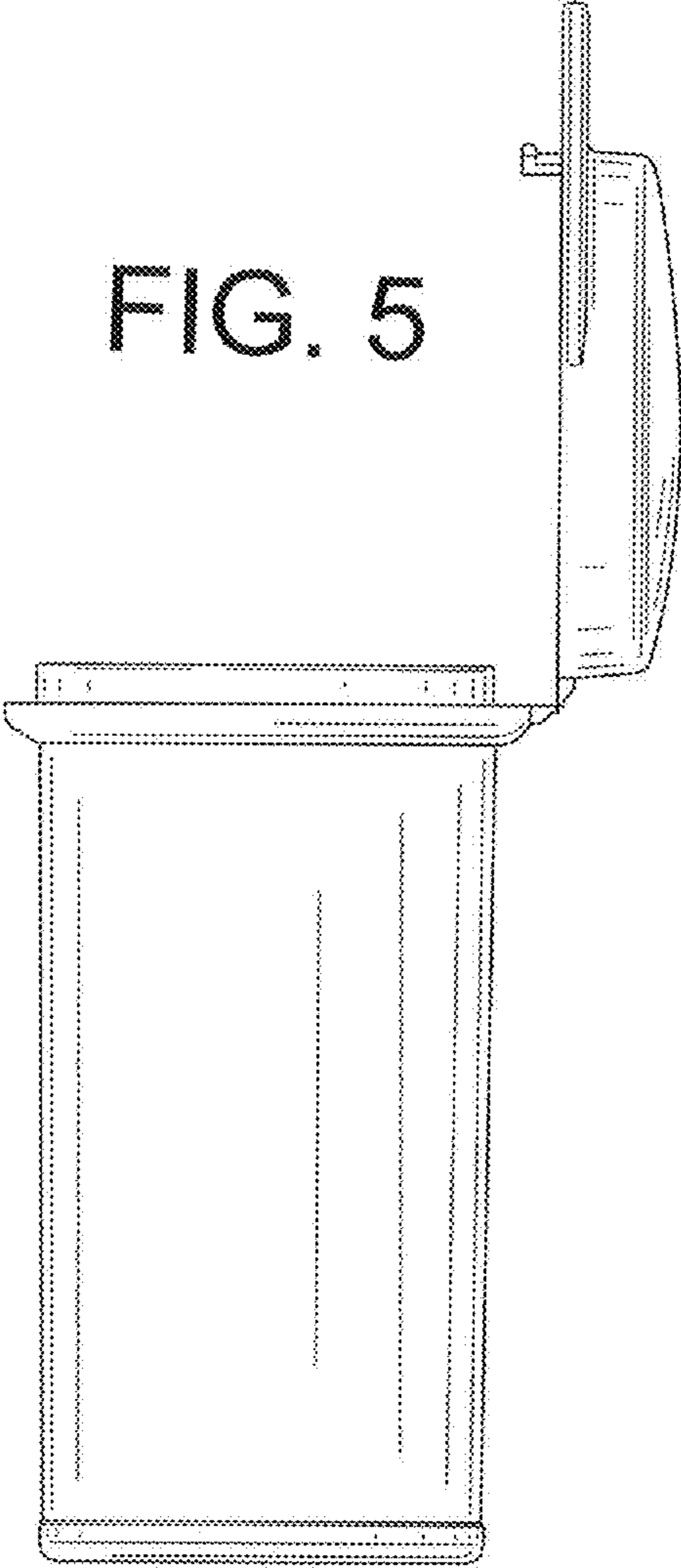
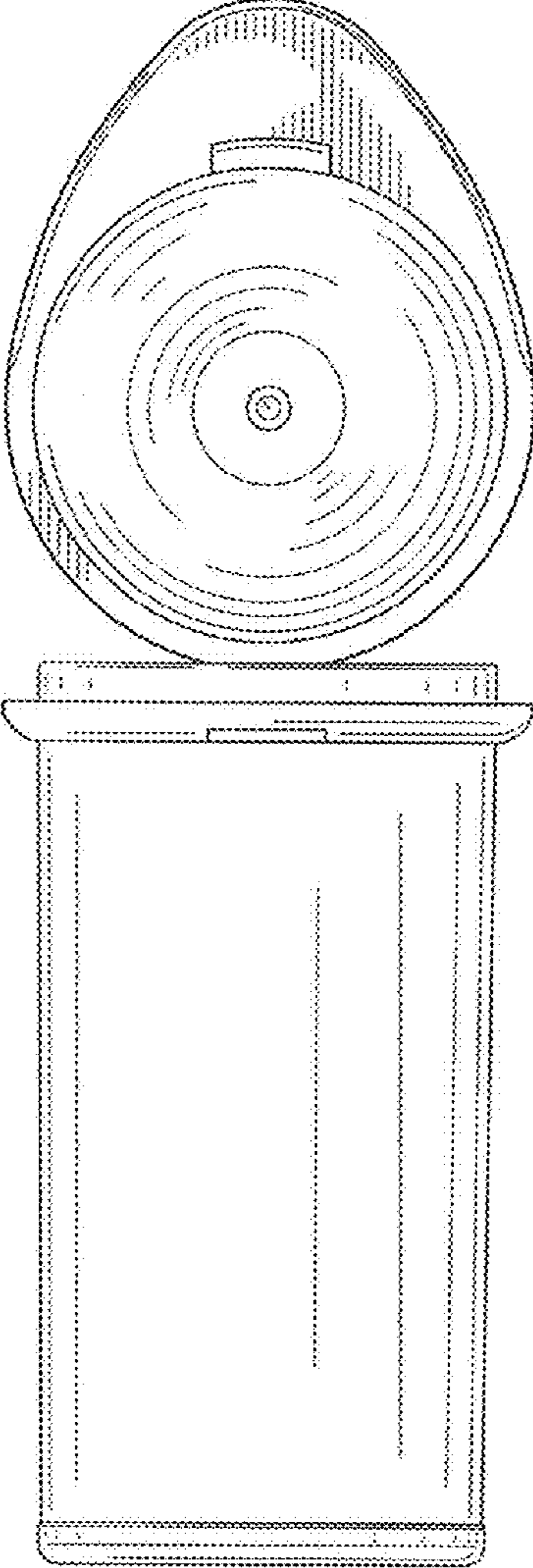
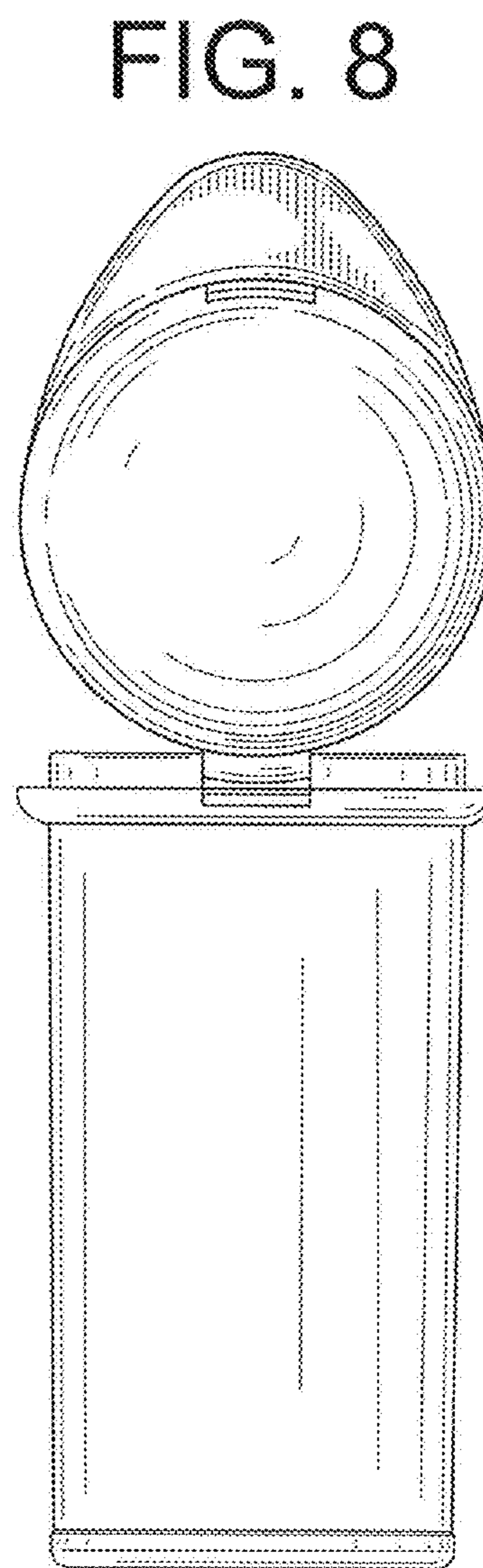
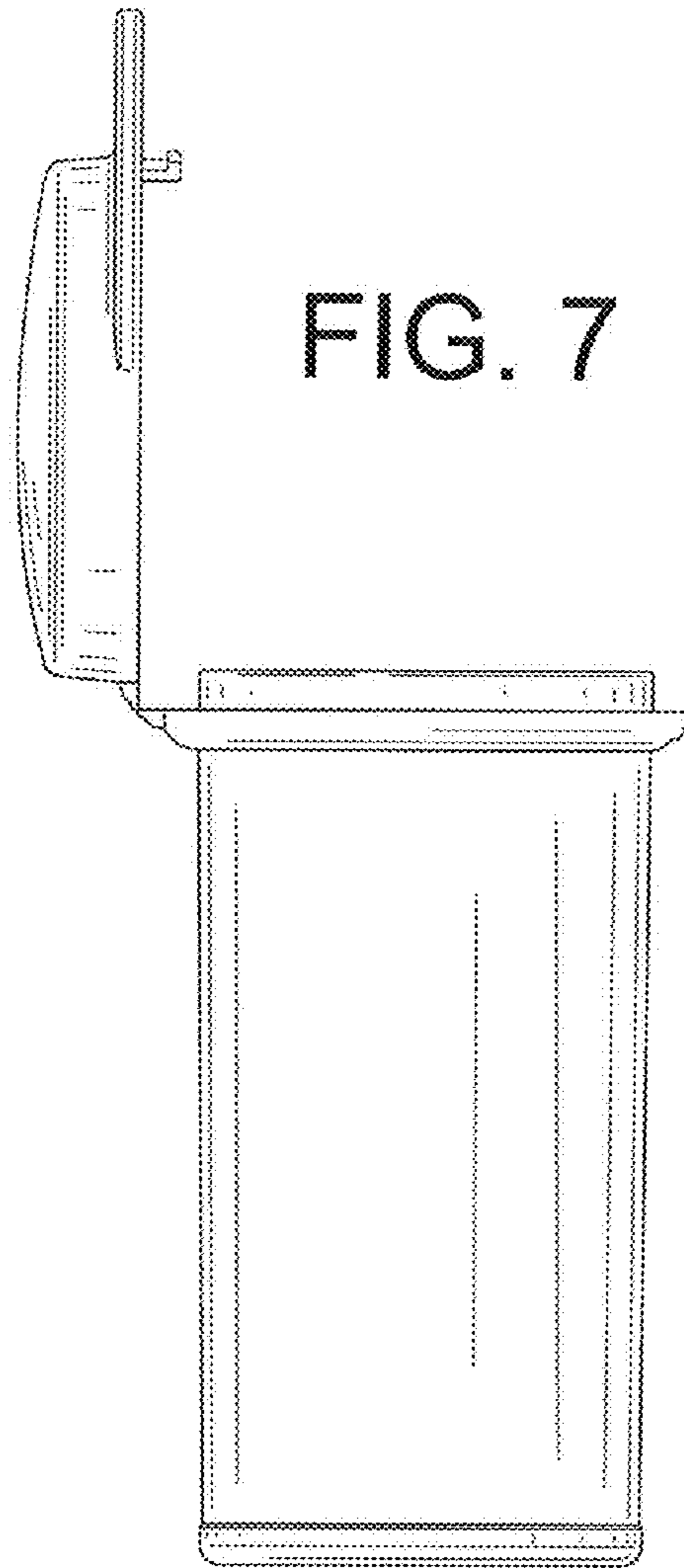


FIG. 6





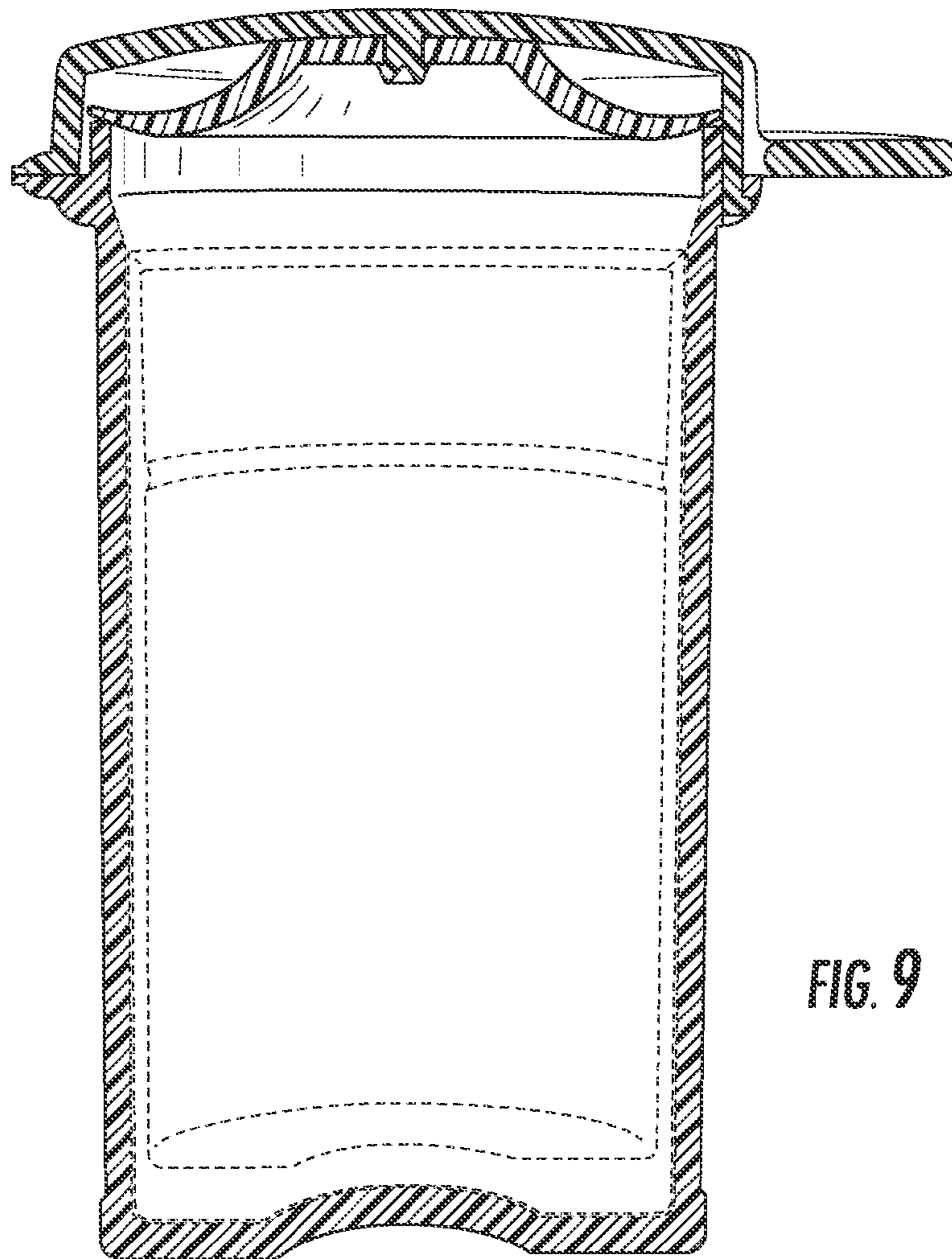


FIG. 9



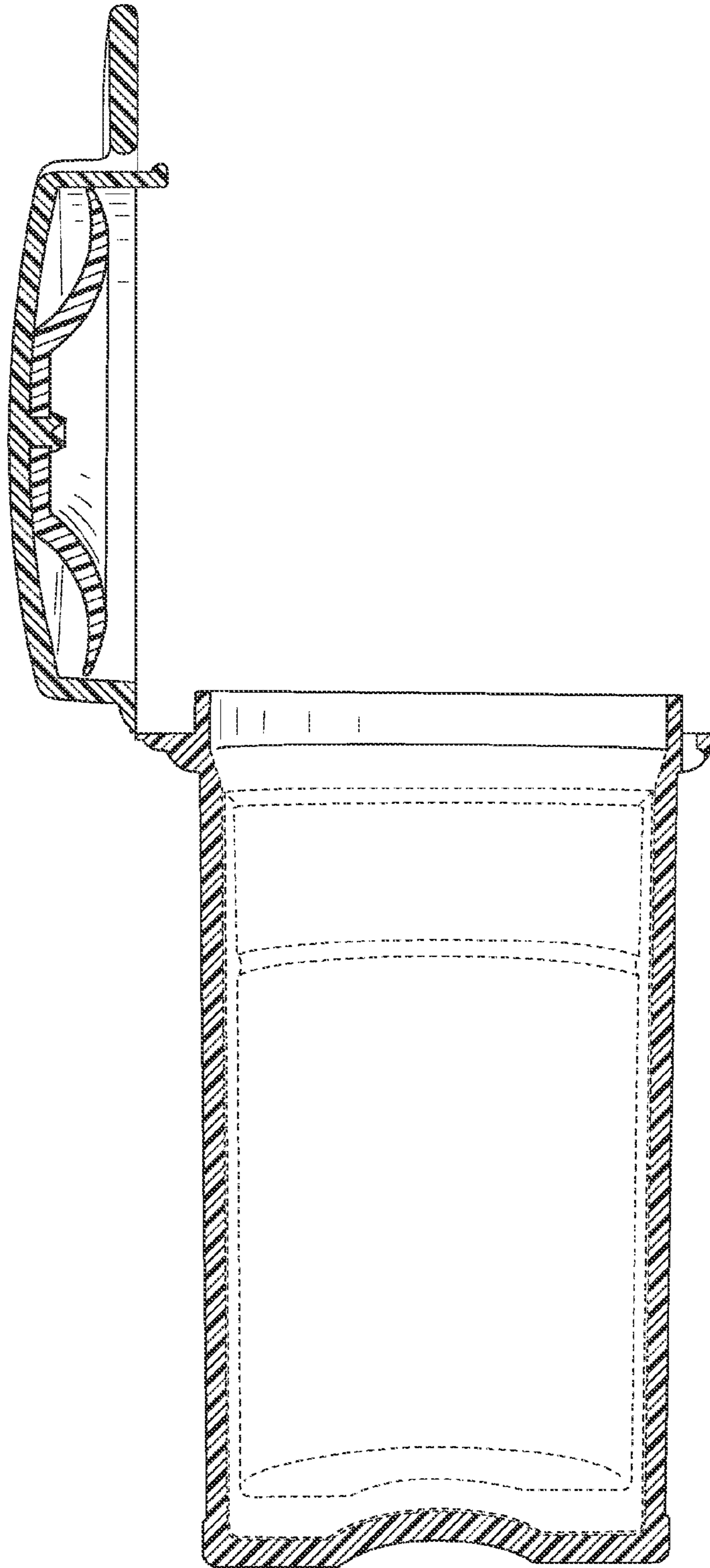


FIG. 10

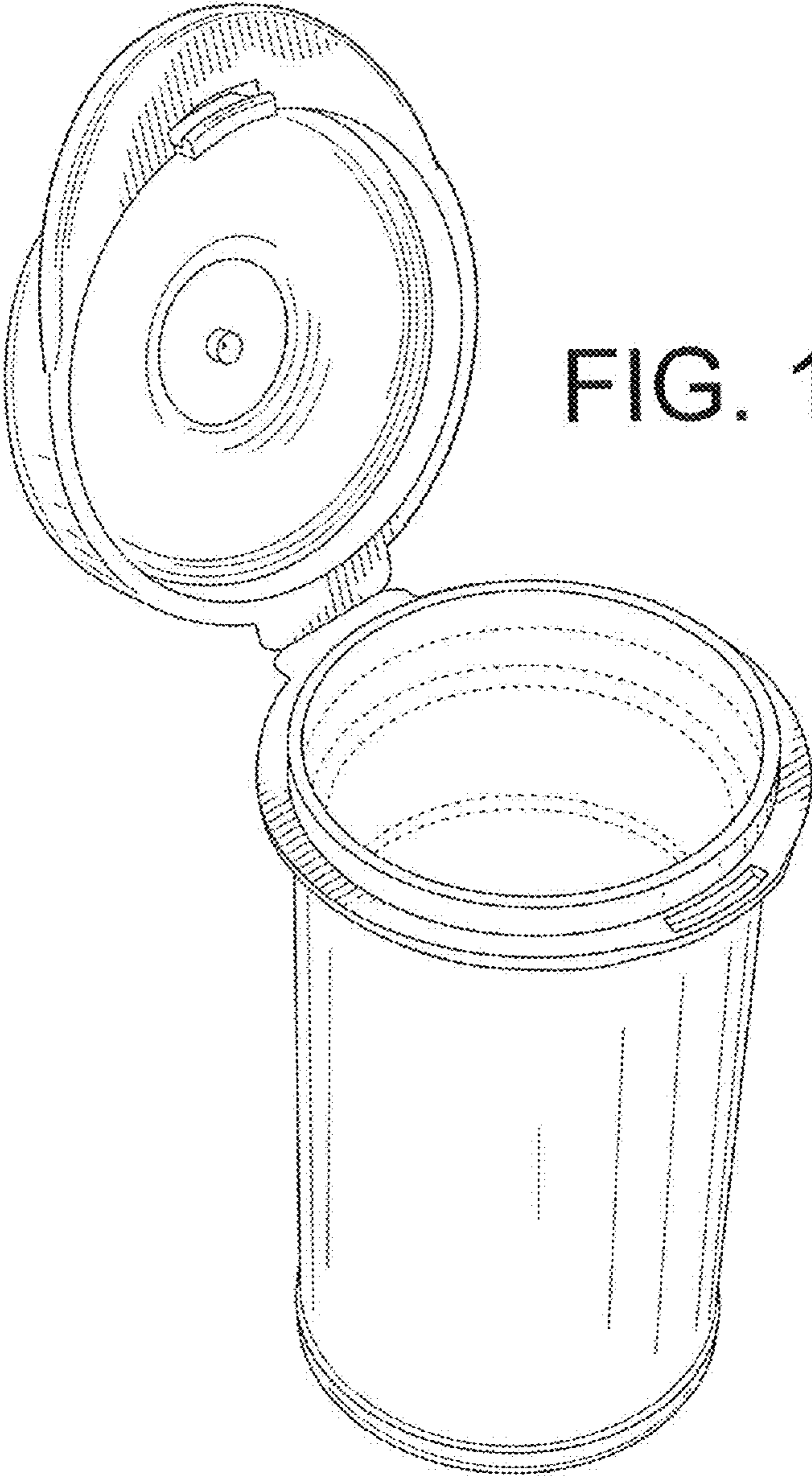


FIG. 11

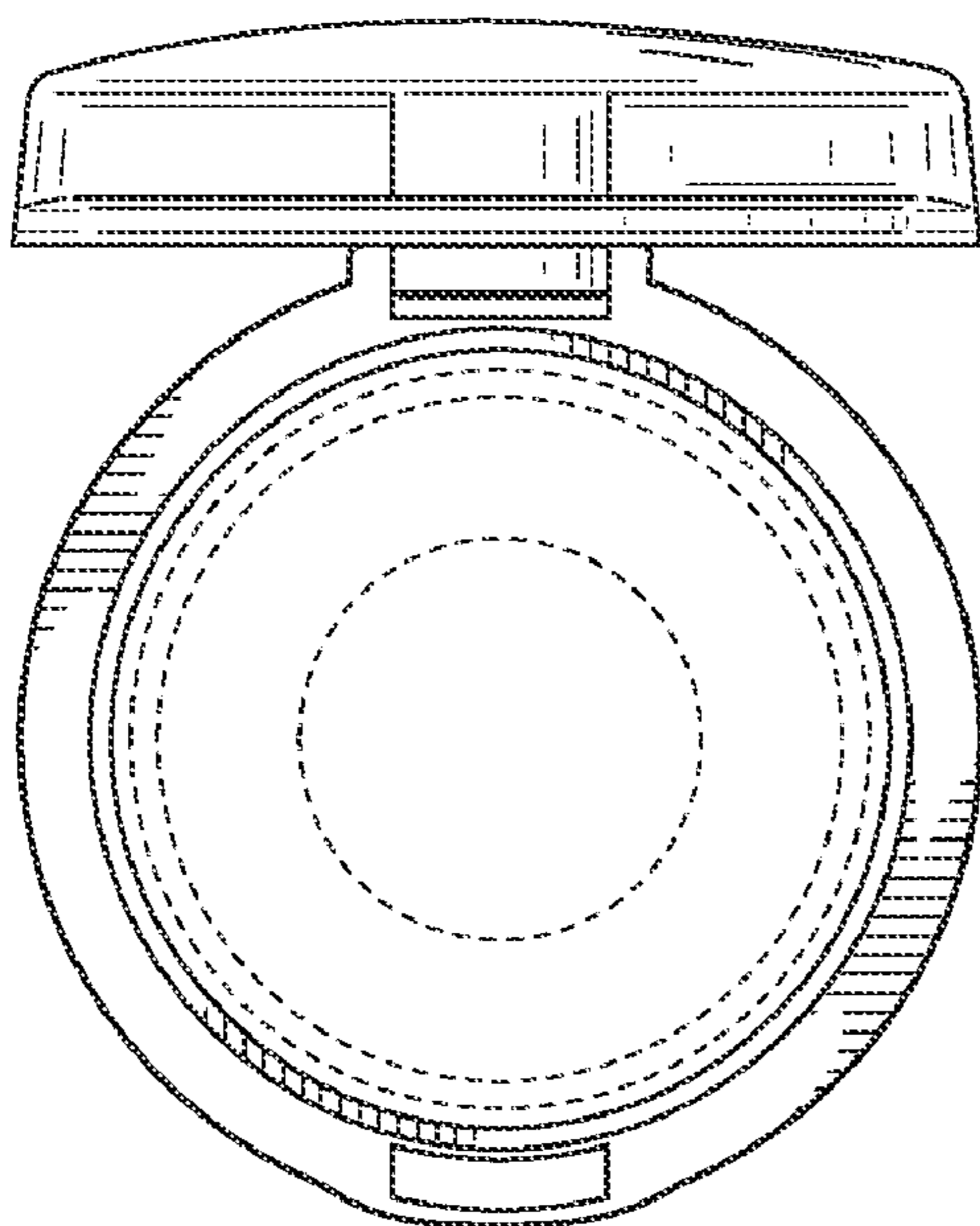


FIG. 12

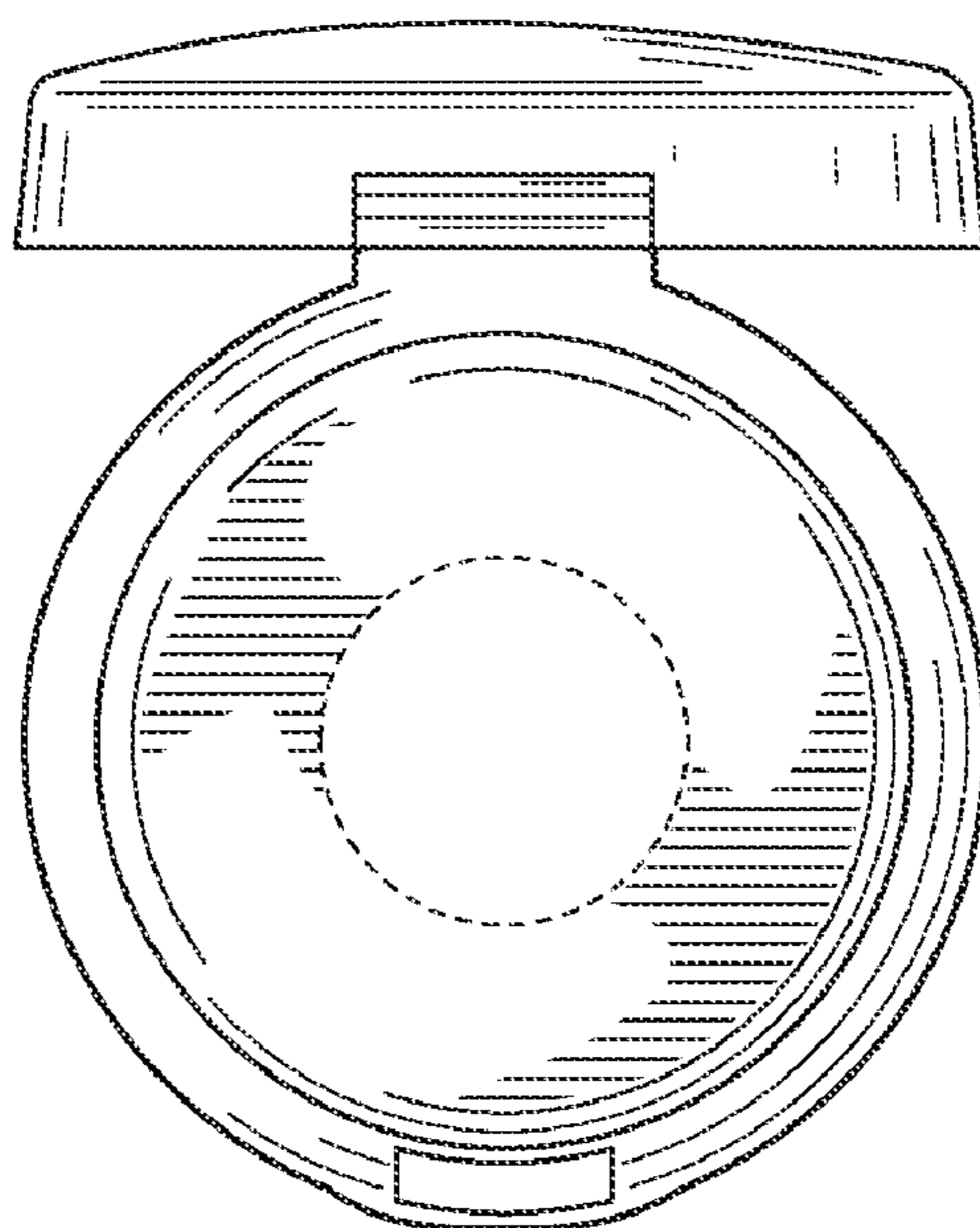


FIG. 13

FIG. 14

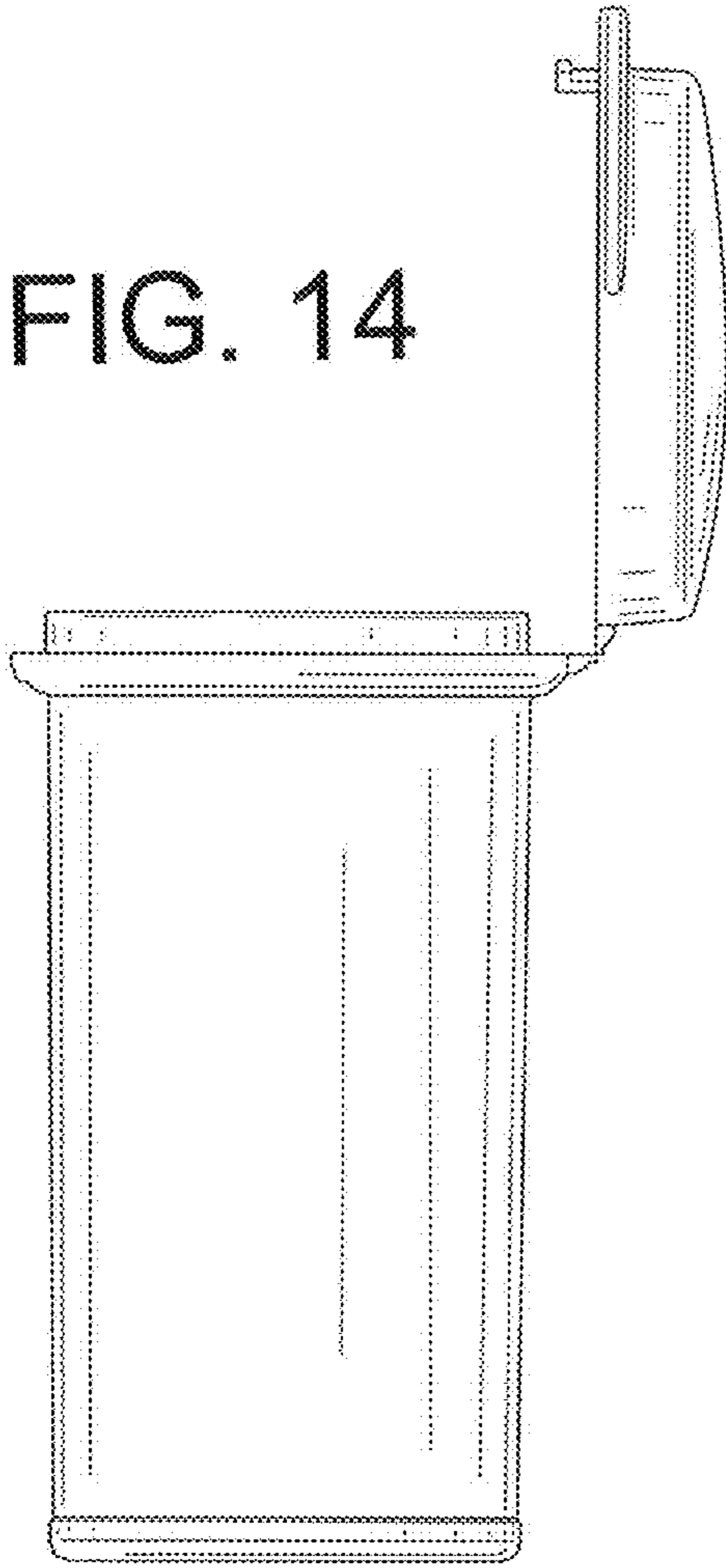
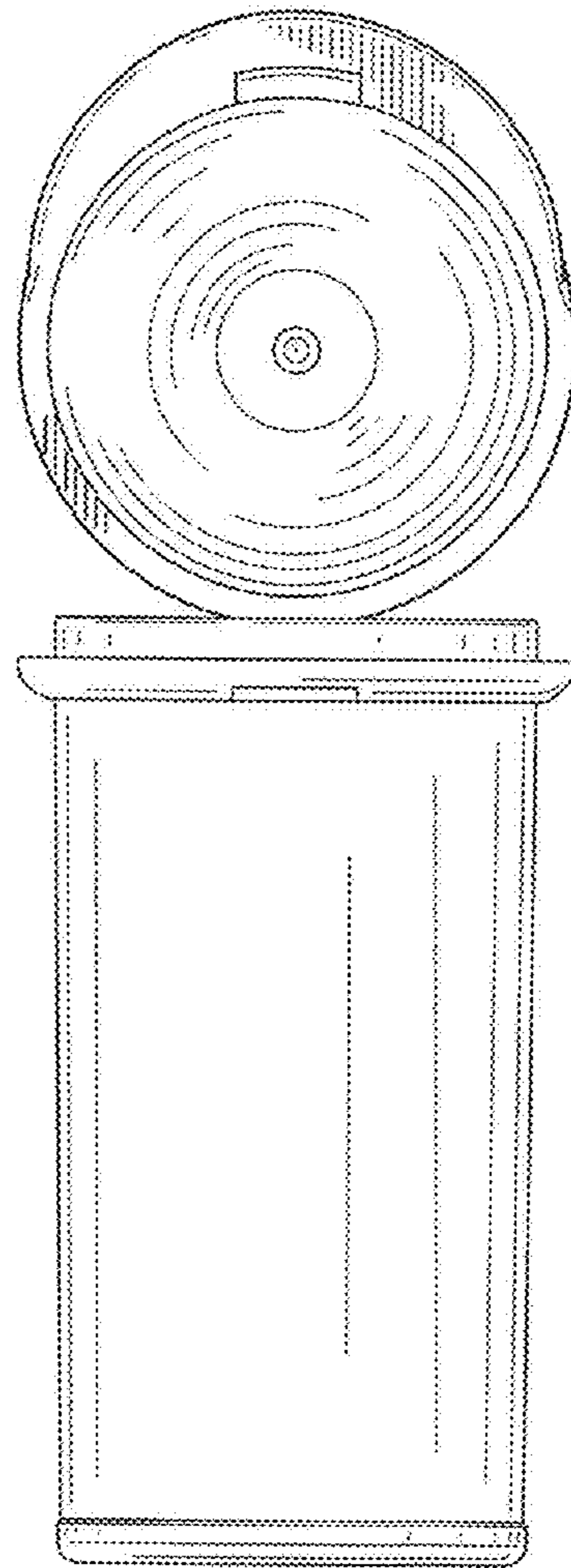
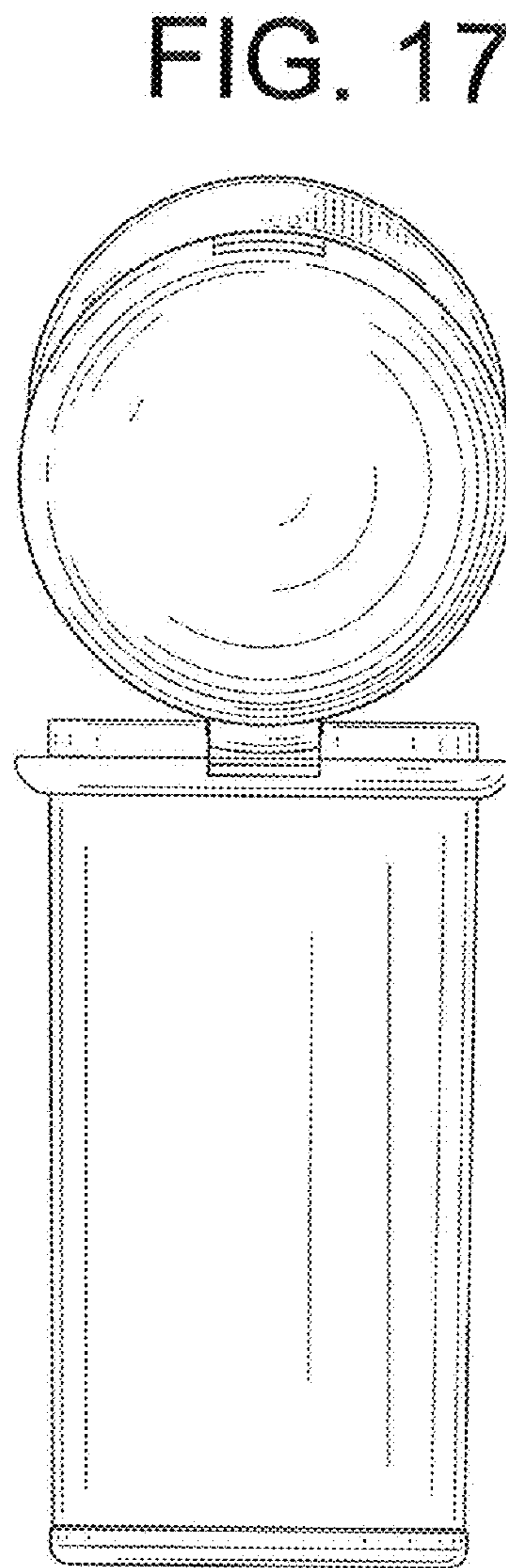
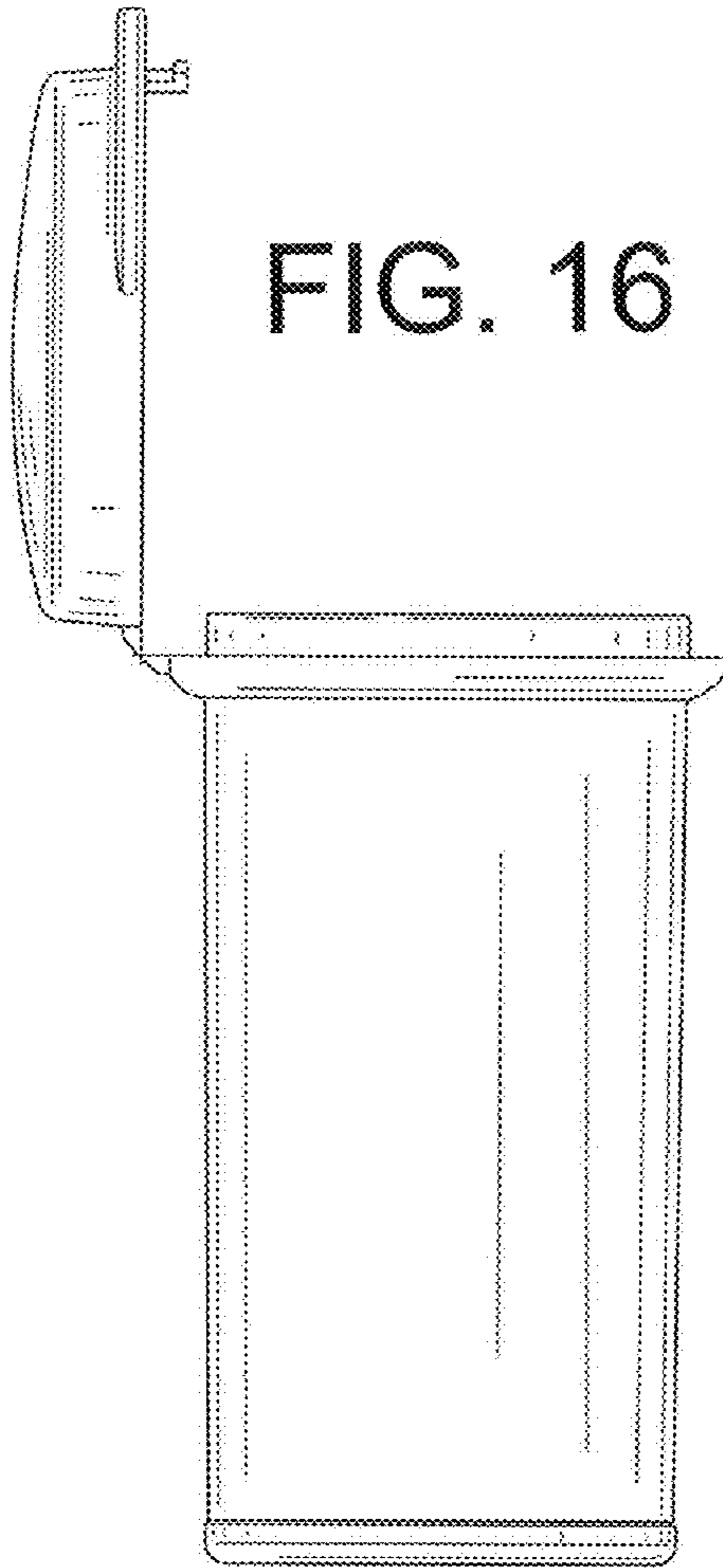


FIG. 15





UNITED STATES PATENT AND TRADEMARK OFFICE  
**CERTIFICATE OF CORRECTION**

PATENT NO. : D644,337 S  
APPLICATION NO. : 29/380904  
DATED : August 30, 2011  
INVENTOR(S) : John Belfance and Ronald Supranowicz

Page 1 of 1

It is certified that error appears in the above-identified patent and that said Letters Patent is hereby corrected as shown below:

Title Page

At item DESCRIPTION, please delete the description of the figures in their entirety and substitute with the following:

FIG. 1 is a perspective view of a first embodiment of the vial, in a closed state;  
FIG. 2 is a perspective view of the vial of FIG. 1, in an opened state;  
FIG. 3 is a top plan view of the vial of FIG. 1, in an opened state;  
FIG. 4 is a bottom plan view of the vial of FIG. 1, in an opened state;  
FIG. 5 is a right side elevation of the vial of FIG. 1, in an opened state;  
FIG. 6 is a front elevation of the vial of FIG. 1, in an opened state;  
FIG. 7 is a left side elevation of the vial of FIG. 1, in an opened state;  
FIG. 8 is a rear elevation of the vial of FIG. 1, in an opened state;  
FIG. 9 is a cross sectional view of the vial of FIG. 1, in a closed state;  
FIG. 10 is a cross sectional view of the vial of FIG. 1, in an opened state;  
FIG. 11 is a perspective view of a second embodiment of the vial, in an opened state;  
FIG. 12 is a top plan view of the vial of FIG. 11, in an opened state;  
FIG. 13 is a bottom plan view of the vial of FIG. 11, in an opened state;  
FIG. 14 is a right side elevation of the vial of FIG. 11, in an opened state;  
FIG. 15 is a front elevation of the vial of FIG. 11, in an opened state;  
FIG. 16 is a left side elevation of the vial of FIG. 11, in an opened state; and,  
FIG. 17 is a rear elevation of the vial of FIG. 11, in an opened state.

Signed and Sealed this  
Thirtieth Day of April, 2013



Teresa Stanek Rea  
*Acting Director of the United States Patent and Trademark Office*