



US00D644334S

(12) **United States Design Patent**
Py

(10) **Patent No.:** **US D644,334 S**

(45) **Date of Patent:** **** Aug. 30, 2011**

(54) **BOTTLE WITH NIPPLE**

(75) Inventor: **Daniel Py**, Larchmont, NY (US)

(73) Assignee: **Medical Instill Technologies, Inc.**, New Milford, CT (US)

(**) Term: **14 Years**

(21) Appl. No.: **29/357,349**

(22) Filed: **Mar. 11, 2010**

(51) **LOC (9) Cl.** **07-01**

(52) **U.S. Cl.** **D24/197**

(58) **Field of Classification Search** D24/193-199,
D24/117; D7/510-511, 533-534; D9/500,
D9/503-504, 547; 215/11.1-11.6, 387, 398,
215/DIG. 8

See application file for complete search history.

(56) **References Cited**

U.S. PATENT DOCUMENTS

714,133	A *	11/1902	Blatin	215/11.5
1,280,942	A *	10/1918	Apple	215/315
2,514,744	A *	7/1950	Cipyak	215/11.1
2,812,764	A *	11/1957	Crisp	215/11.1
4,676,387	A *	6/1987	Stephenson et al.	215/11.1
5,101,991	A	4/1992	Morifuji et al.		
5,690,679	A *	11/1997	Prentiss	606/236
D440,317	S *	4/2001	Tollman	D24/197
D454,642	S *	3/2002	Hakim	D24/197
D464,434	S *	10/2002	Morano	D24/197
6,481,571	B1	11/2002	Kelders et al.		
6,499,615	B1	12/2002	Szieff et al.		
6,745,915	B2	6/2004	Rees		
6,971,551	B2	12/2005	Widgery		
D513,593	S *	1/2006	Weber	D9/529
7,204,380	B2	4/2007	Webb et al.		
D589,153	S *	3/2009	Rosales	D24/197
D599,481	S *	9/2009	Drummond	D24/197
D599,482	S *	9/2009	Drummond	D24/197
D617,465	S *	6/2010	Hakim	D24/197

D625,830 S * 10/2010 Py et al. D24/197
2006/0137998 A1 6/2006 Spector et al.
2007/0283666 A1* 12/2007 Py et al. 53/425
(Continued)

FOREIGN PATENT DOCUMENTS

EM 000400734-0001 S 11/2005
(Continued)

OTHER PUBLICATIONS

International Search Report and Written Opinion of the International Searching Authority for International Application No. PCT/US2008/81393.

(Continued)

Primary Examiner — Susan E Krakower

(74) *Attorney, Agent, or Firm* — McCarter & English, LLP

(57) **CLAIM**

The ornamental design for a bottle with nipple, as shown and described.

DESCRIPTION

FIG. 1 is a side perspective view of a of a bottle with nipple; FIG. 2 is a left side elevational view of the bottle with nipple of FIG. 1; FIG. 3 is a rear elevational view of the bottle with nipple of FIG. 1; FIG. 4 is a right side elevational view of the bottle with nipple of FIG. 1; FIG. 5 is a front elevational view of the bottle with nipple of FIG. 1; FIG. 6 is a top plan view of the bottle with nipple of FIG. 1; and, FIG. 7 is a bottom plan view of the bottle with nipple of FIG. 1.

The broken lines appearing in the drawings are for the purpose of illustrating portions of the article in which the design is embodied. Portions of the article appearing in broken lines form no part of the claimed design.

1 Claim, 2 Drawing Sheets



US D644,334 S

Page 2

U.S. PATENT DOCUMENTS

2008/0099422 A1 5/2008 Rees
2009/0139883 A1 6/2009 Py
2009/0139949 A1 6/2009 Py
2009/0139995 A1 6/2009 Py

FOREIGN PATENT DOCUMENTS

EM 001171391-0001 S 10/2009
WO WO 2007/120719 A2 10/2007

OTHER PUBLICATIONS

International Search Report and Written Opinion of the International Searching Authority for International Application No. PCT/US2008/81395.

International Search Report and Written Opinion of the International Searching Authority for International Application No. PCT/US2008/81396.

* cited by examiner



FIG. 1

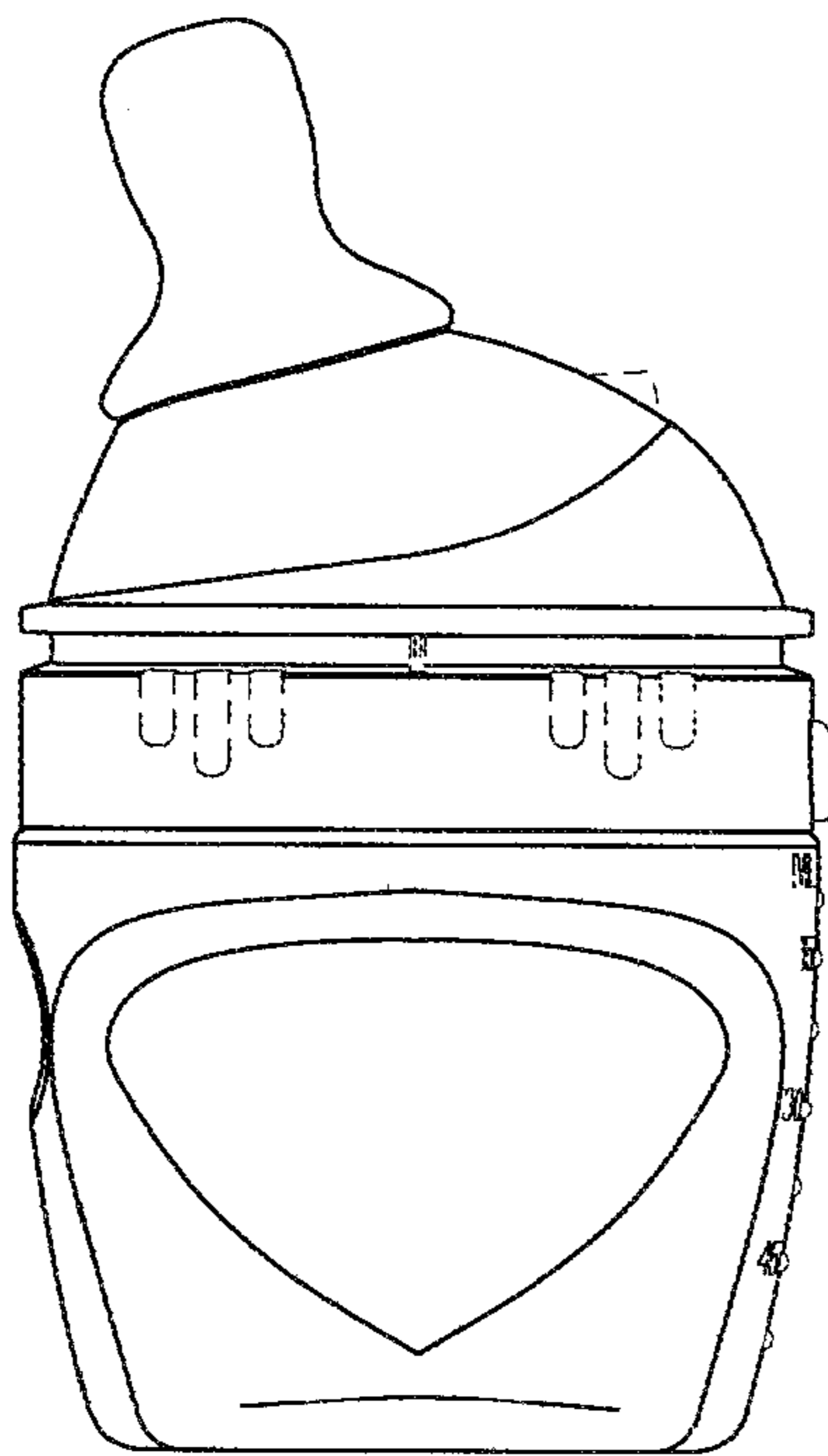


FIG. 2

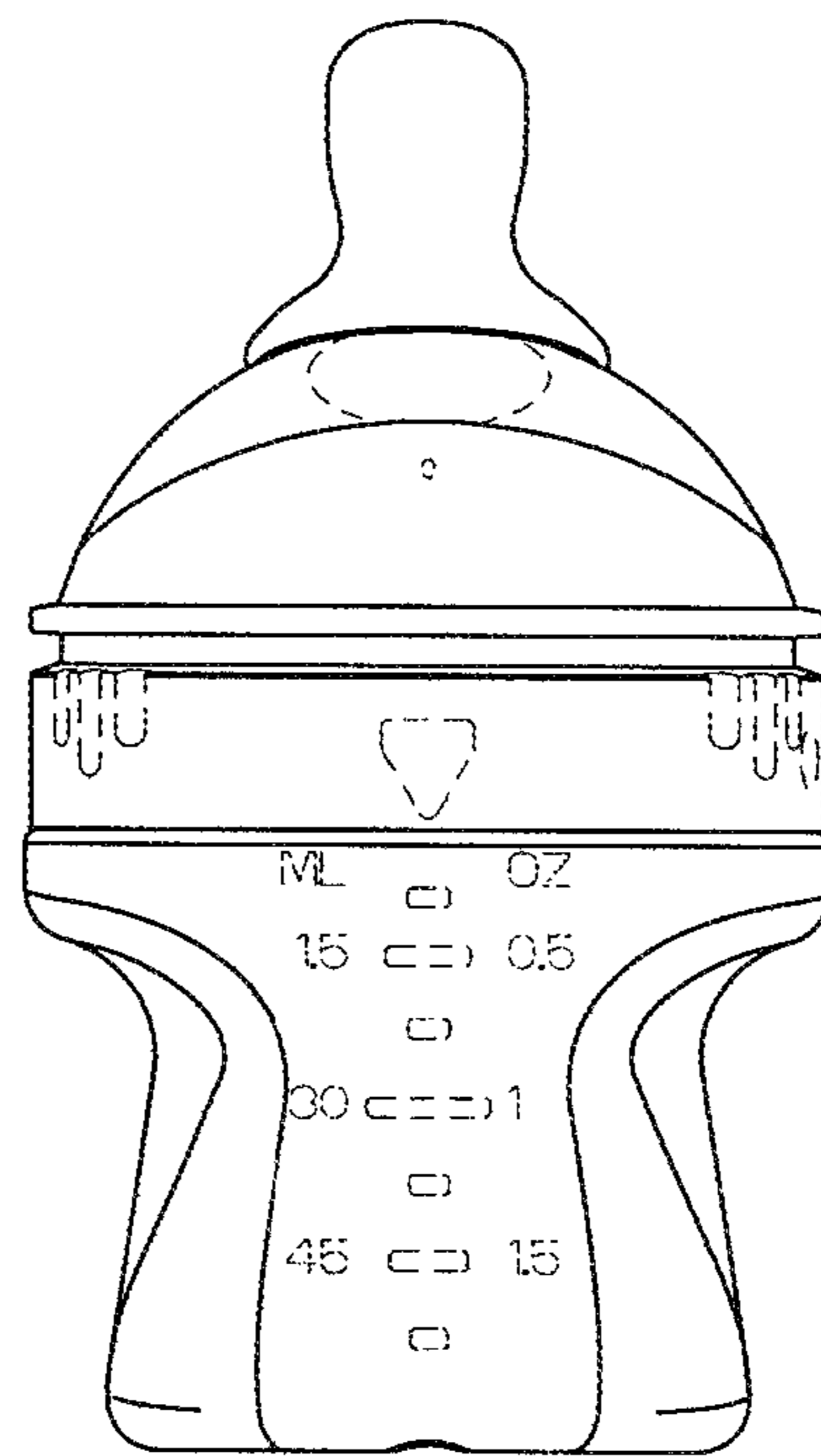


FIG. 3

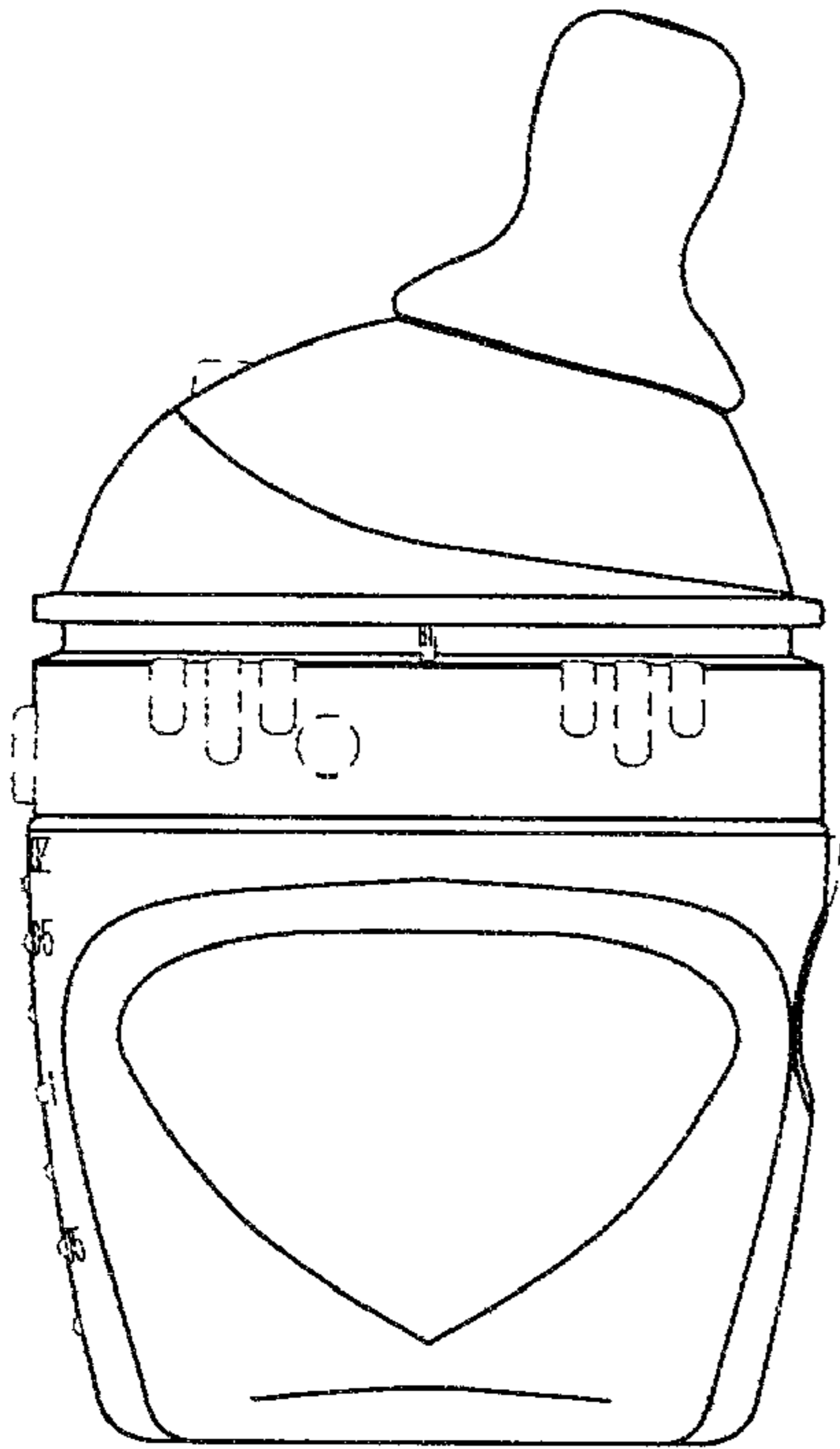


FIG. 4

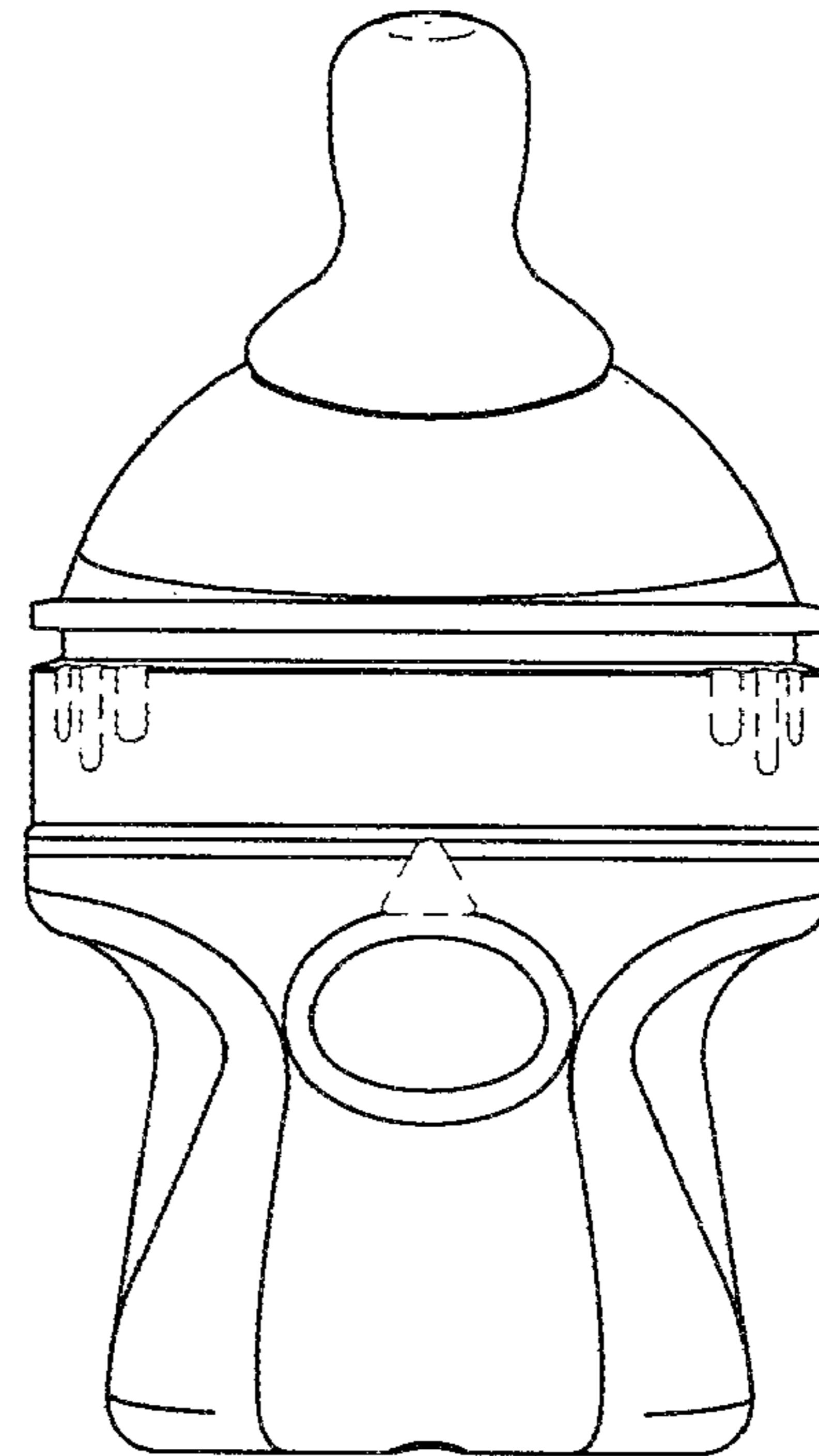


FIG. 5

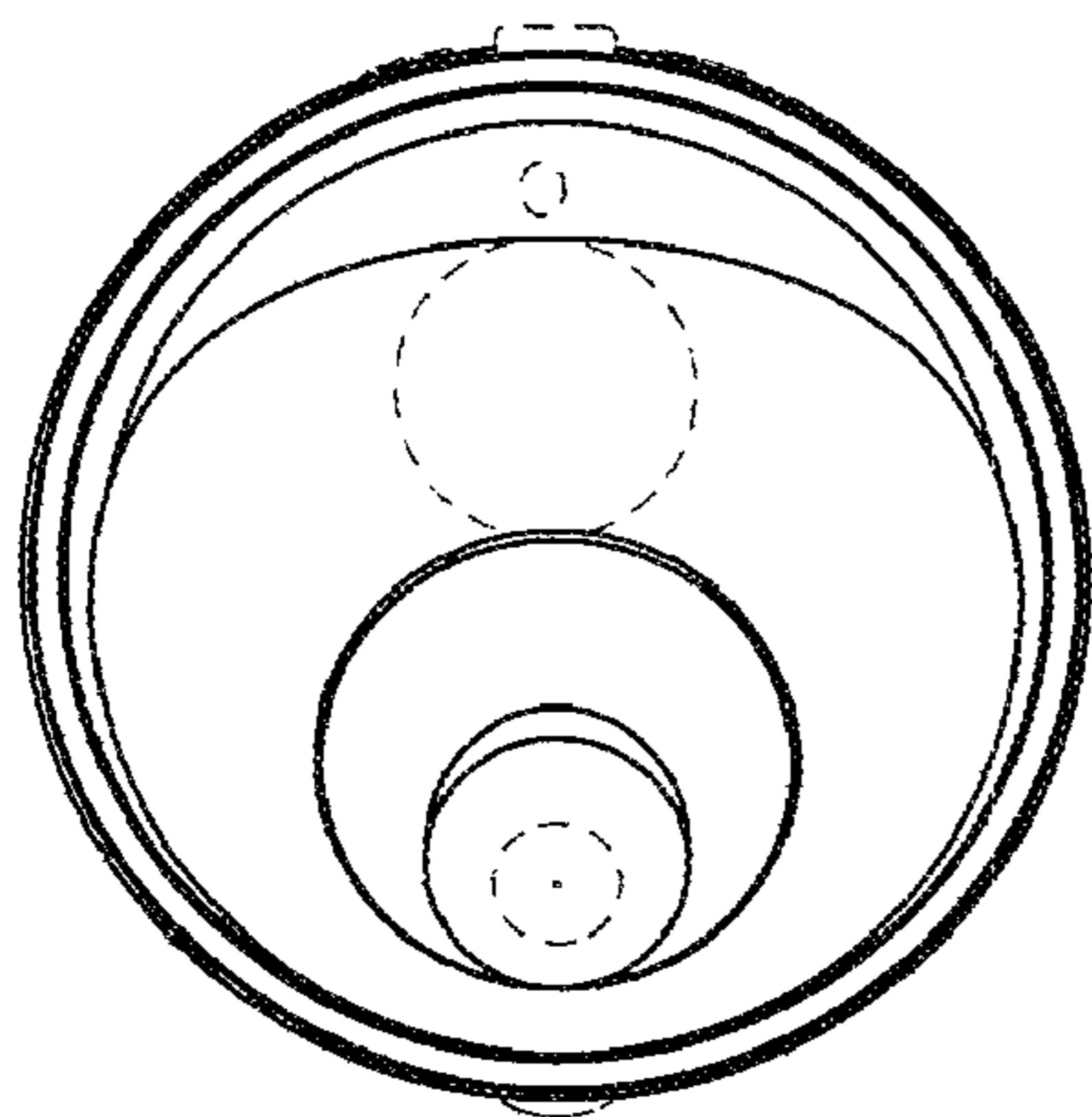


FIG. 6

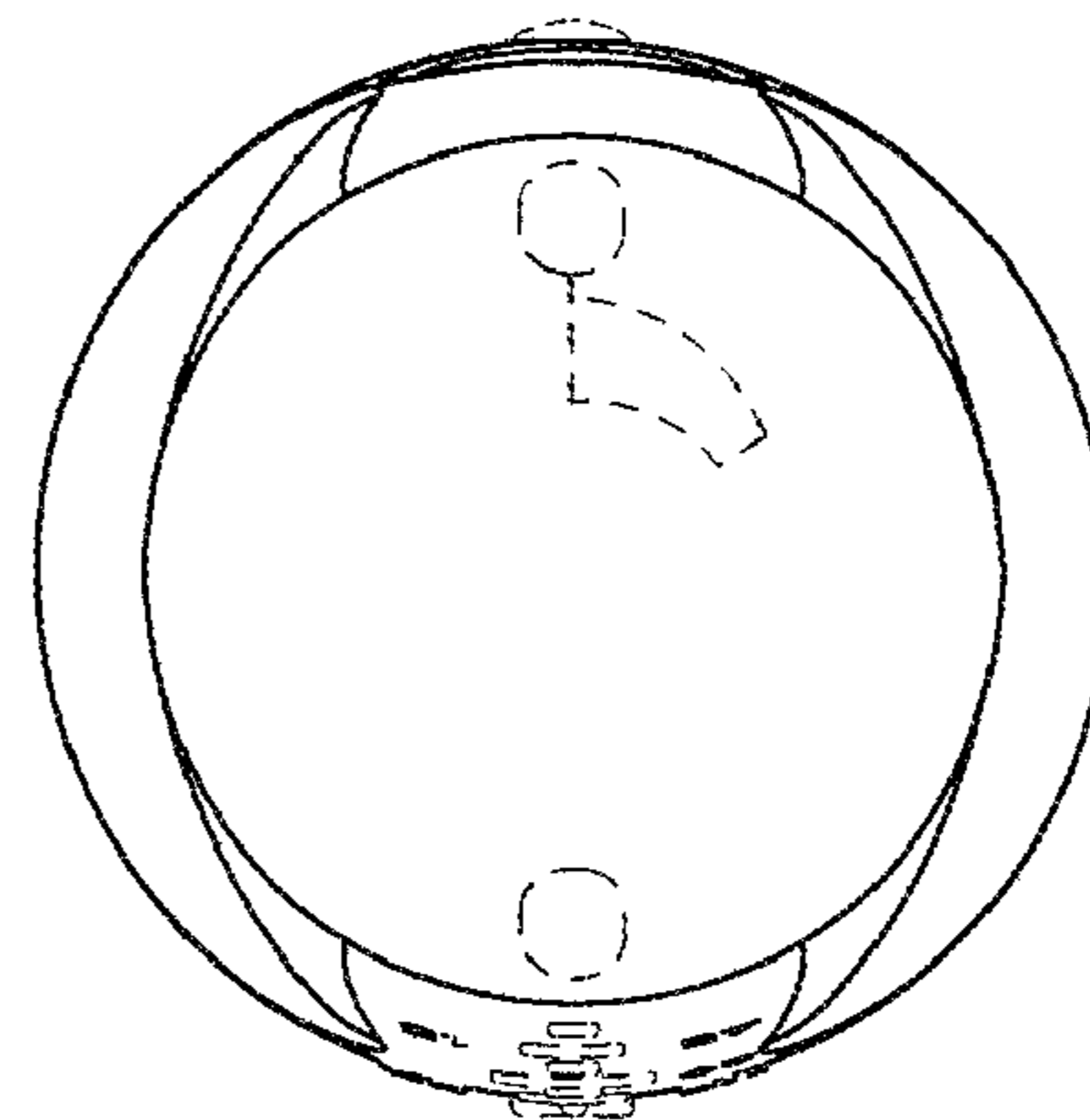


FIG. 7