

US00D644331S

(12) **United States Design Patent**
Sandhu

(10) **Patent No.:** **US D644,331 S**

(45) **Date of Patent:** **** Aug. 30, 2011**

(54) **CERVICAL IMMOBILIZATION COLLAR**

(75) **Inventor:** **Aqeel A. Sandhu**, North Canton, OH (US)

(73) **Assignee:** **Life Core Technologies, LLC**, Broadview Heights, OH (US)

(**) **Term:** **14 Years**

(21) **Appl. No.:** **29/377,863**

(22) **Filed:** **Oct. 27, 2010**

(51) **LOC (9) Cl.** **24-01**

(52) **U.S. Cl.** **D24/191**

(58) **Field of Classification Search** D24/188-191, D24/200, 206; D29/100, 101.2; D2/502, D2/624, 627, 629, 634, 635; 602/5, 18, 19; 128/DIG. 23, 101.1; 2/44-45, 300, 338, 2/463-465; D21/662; 450/119, 121
See application file for complete search history.

(56) **References Cited**

U.S. PATENT DOCUMENTS

1,525,771	A *	2/1925	Falconer	132/214
2,801,630	A *	8/1957	Moore	602/18
2,911,970	A *	11/1959	Bartels	602/18
3,042,026	A *	7/1962	Monfardini	602/18
D202,868	S *	11/1965	Marks	D29/101.5
D203,018	S *	11/1965	Helferich	D24/191
D213,742	S *	4/1969	Bond	D24/191
4,827,915	A *	5/1989	Gorsen	602/18

5,010,877	A *	4/1991	Druskoczi	602/18
RE35,290	E *	7/1996	Druskoczi	602/18
5,797,713	A *	8/1998	Tweardy et al.	411/339
6,494,854	B1 *	12/2002	Visness et al.	602/18
7,090,652	B2 *	8/2006	Santelli, Jr.	602/18
D616,997	S *	6/2010	Thorgilsdottir et al.	D24/191
7,846,118	B2 *	12/2010	Sandhu	602/18

* cited by examiner

Primary Examiner — Susan E Krakower

(74) *Attorney, Agent, or Firm* — Benesch, Friedlander, Coplan & Aronoff LLP

(57) **CLAIM**

What is claimed is the ornamental design for a cervical immobilization collar, as shown and described.

DESCRIPTION

FIG. 1 is a perspective view of a cervical immobilization collar showing a new design;

FIG. 2 is a front view of the cervical immobilization collar of FIG. 1;

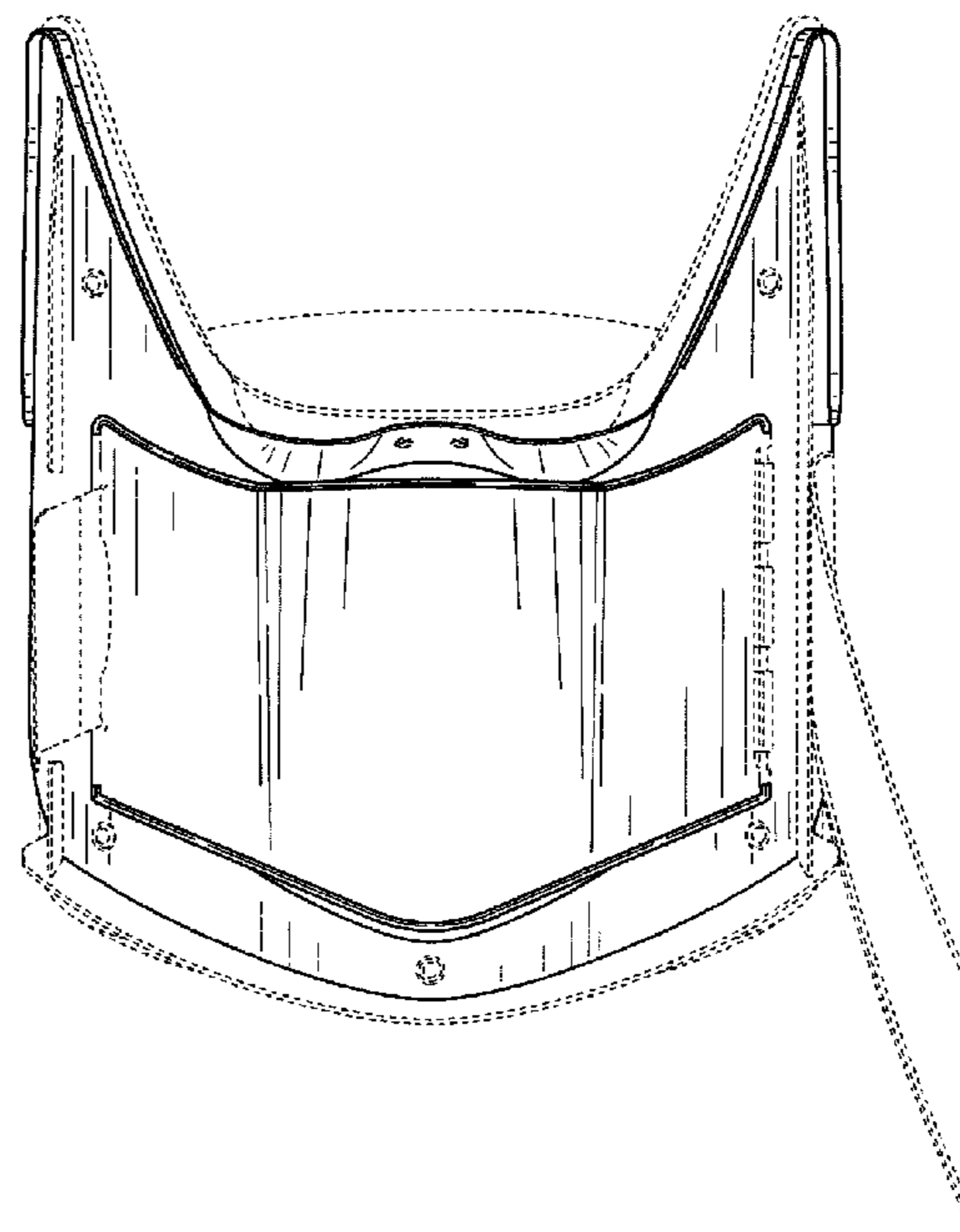
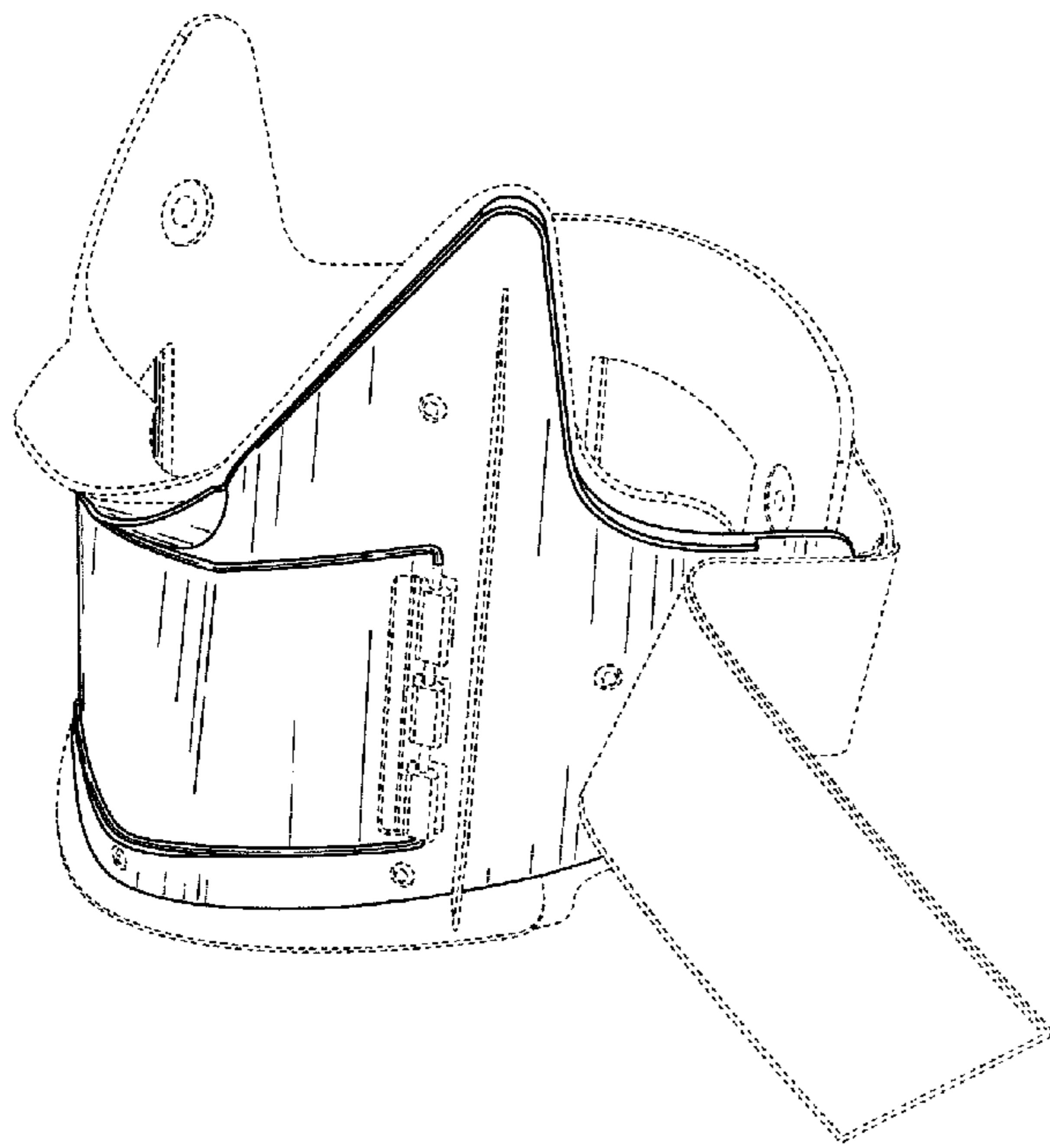
FIG. 3 is a rear view of the cervical immobilization collar of FIG. 1;

FIG. 4 is a right side view of the cervical immobilization collar of FIG. 1; and,

FIG. 5 is a left side view of the cervical immobilization collar of FIG. 1.

The components of the display shown in broken lines illustrate portions of the cervical immobilization collar which form no part of the claimed design. Further, the vertical and diagonal broken lines are not meant to be indicative of any specified colors.

1 Claim, 5 Drawing Sheets



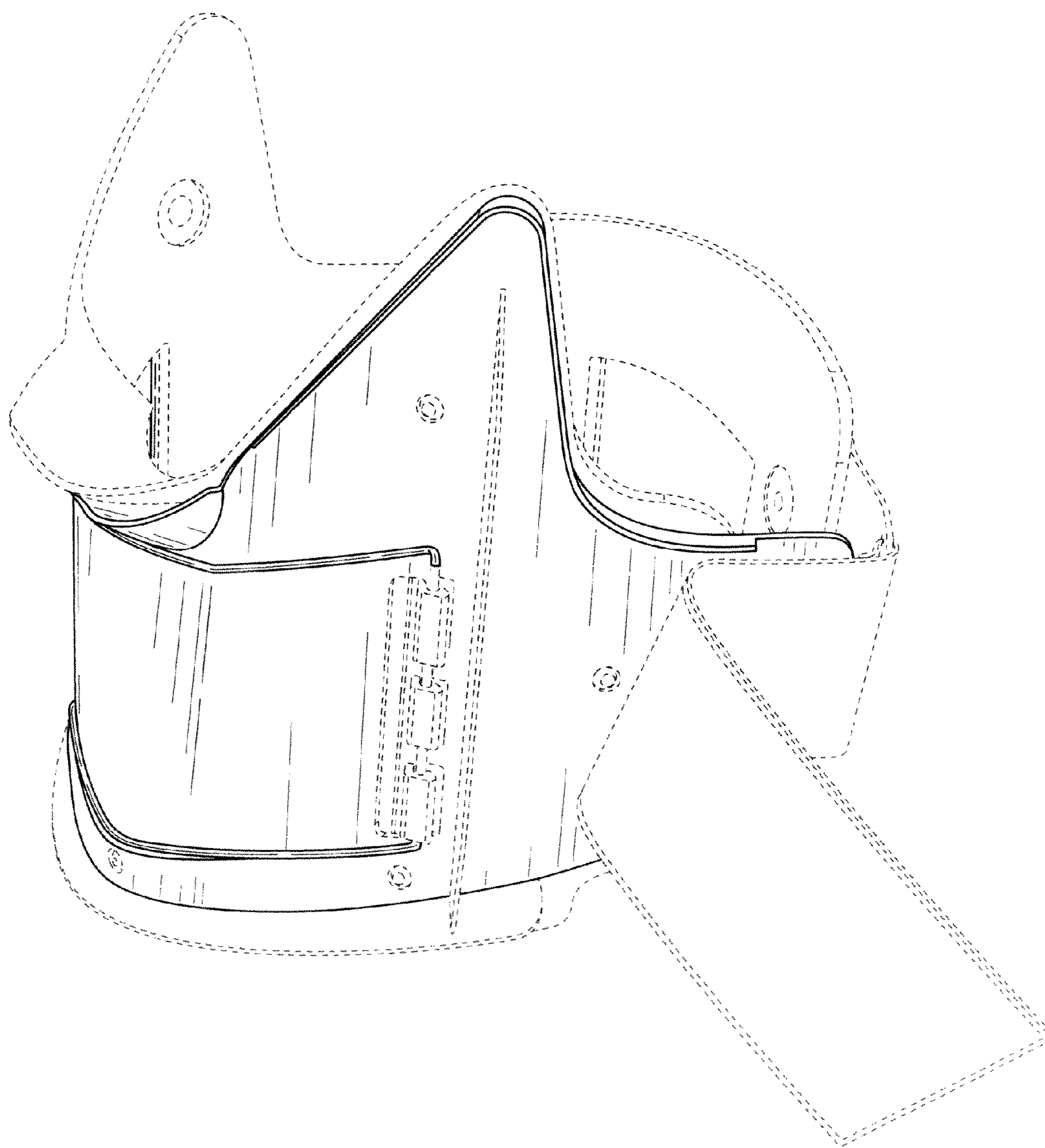


FIG. 1

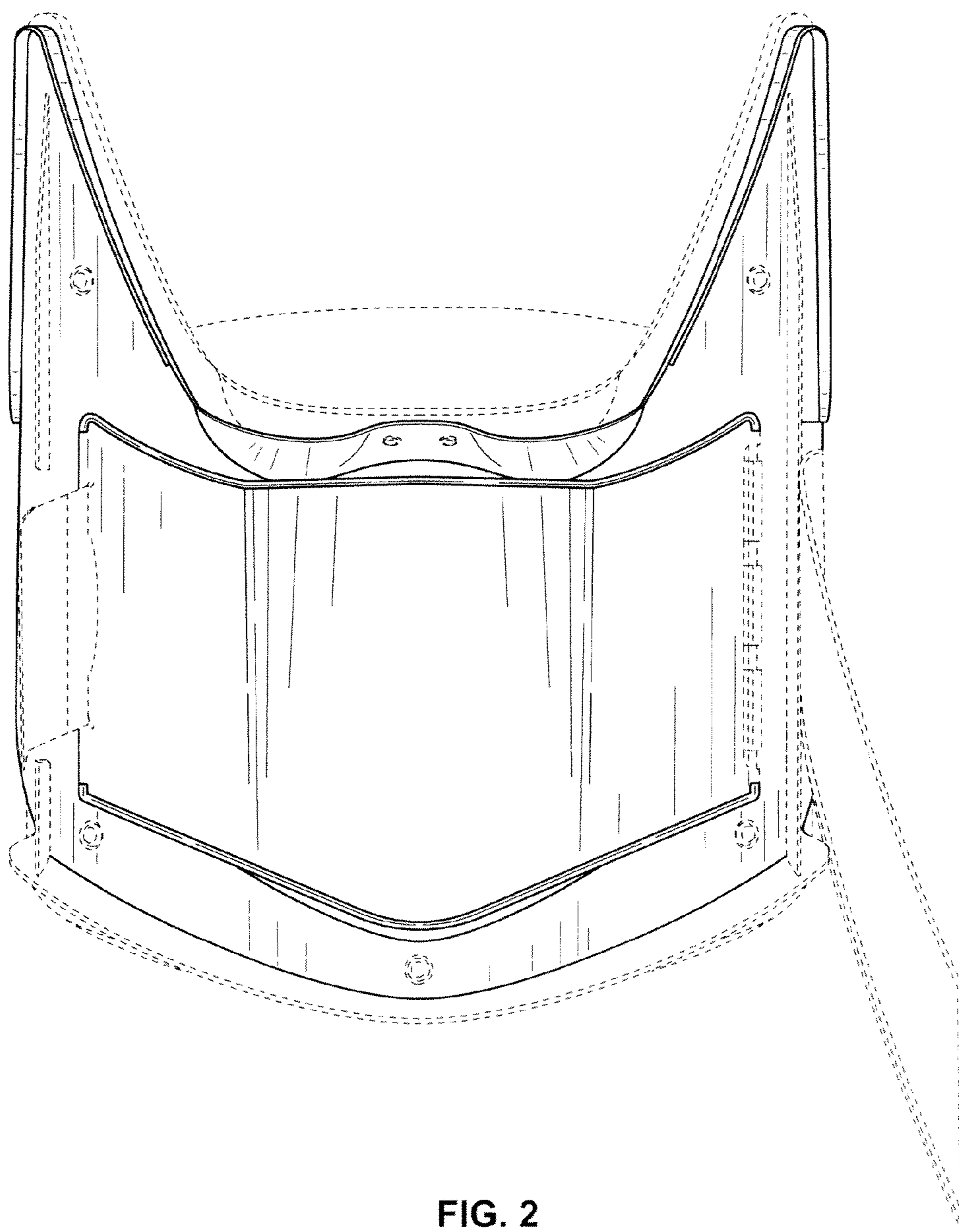


FIG. 2

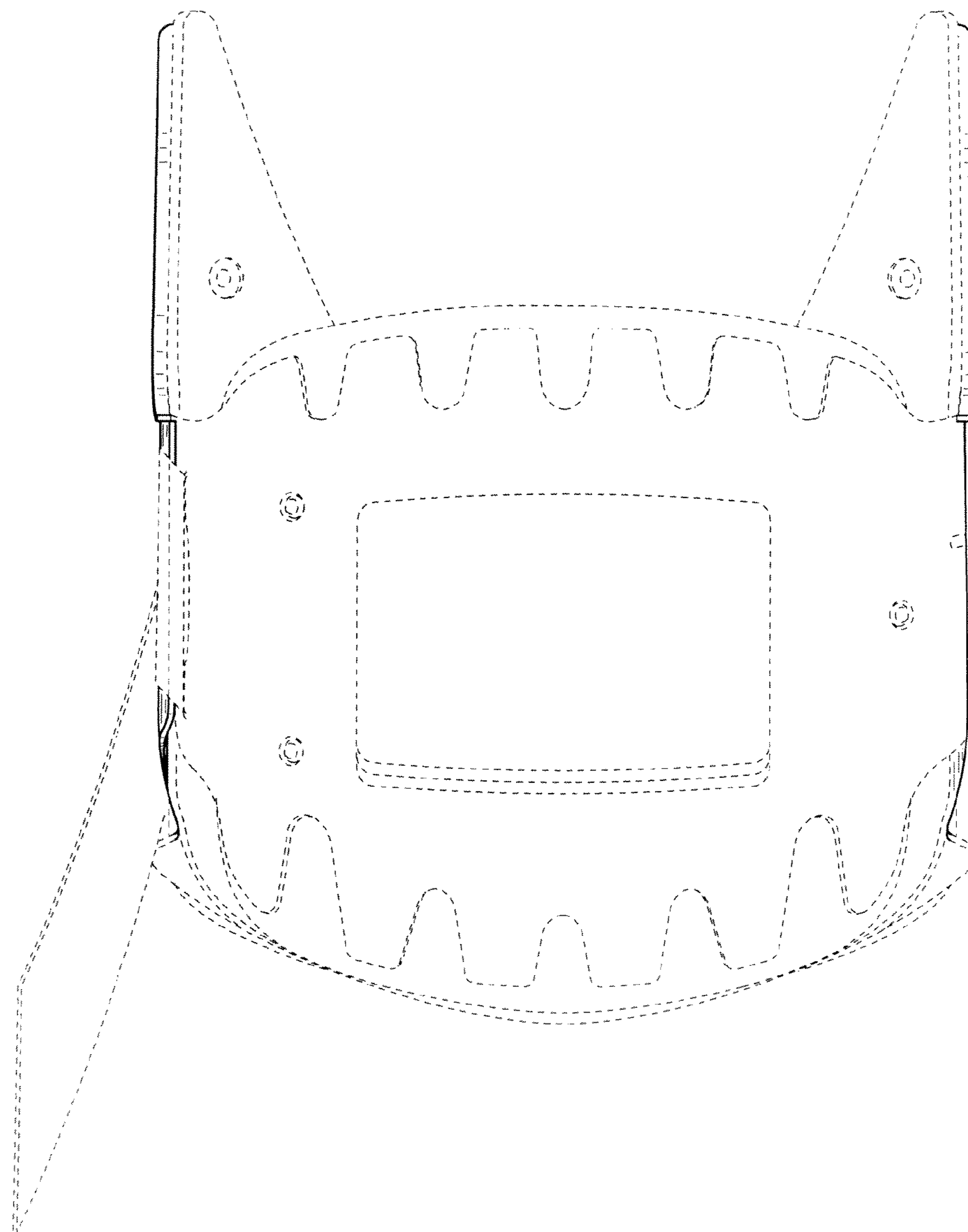


FIG. 3

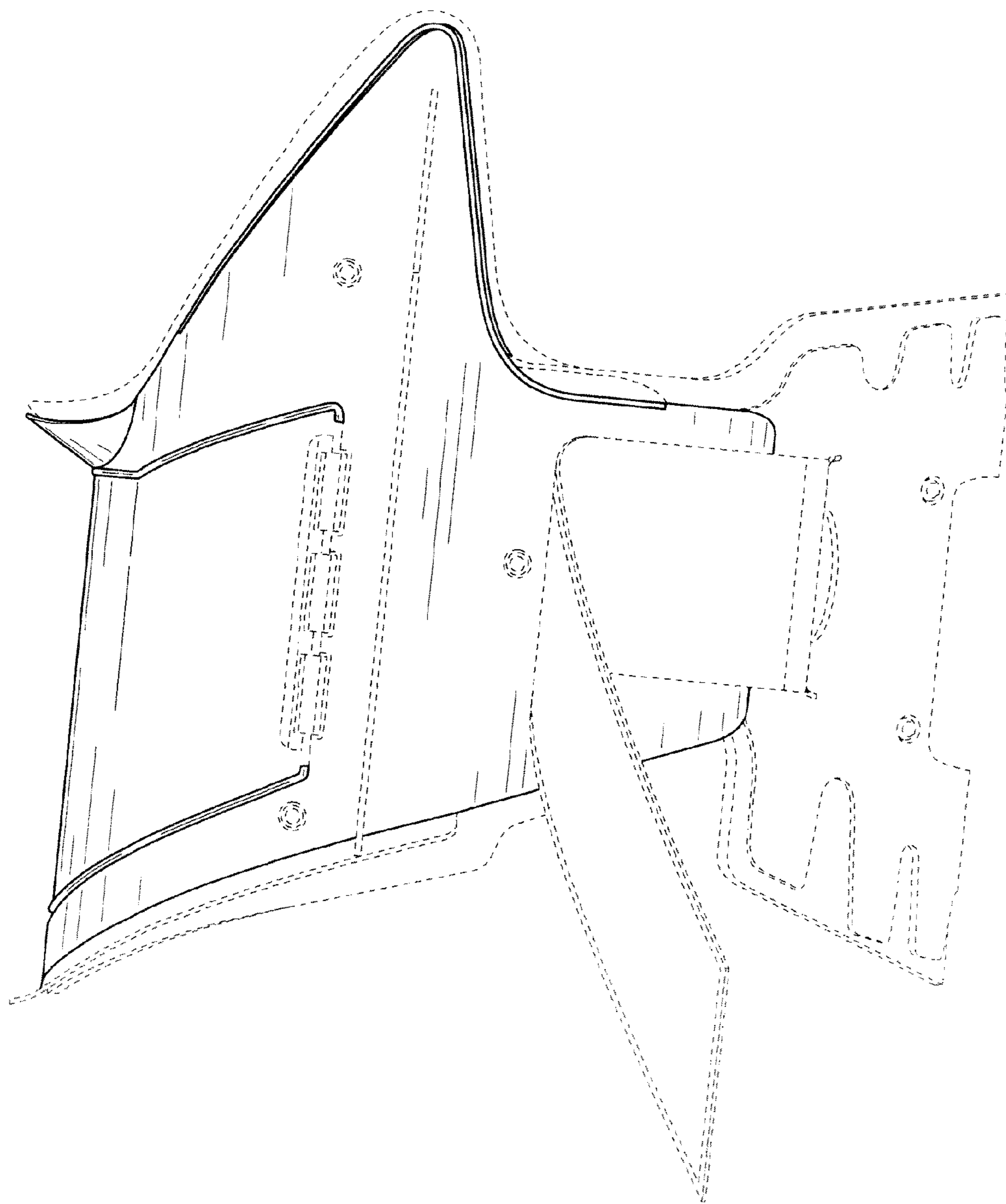


FIG. 4

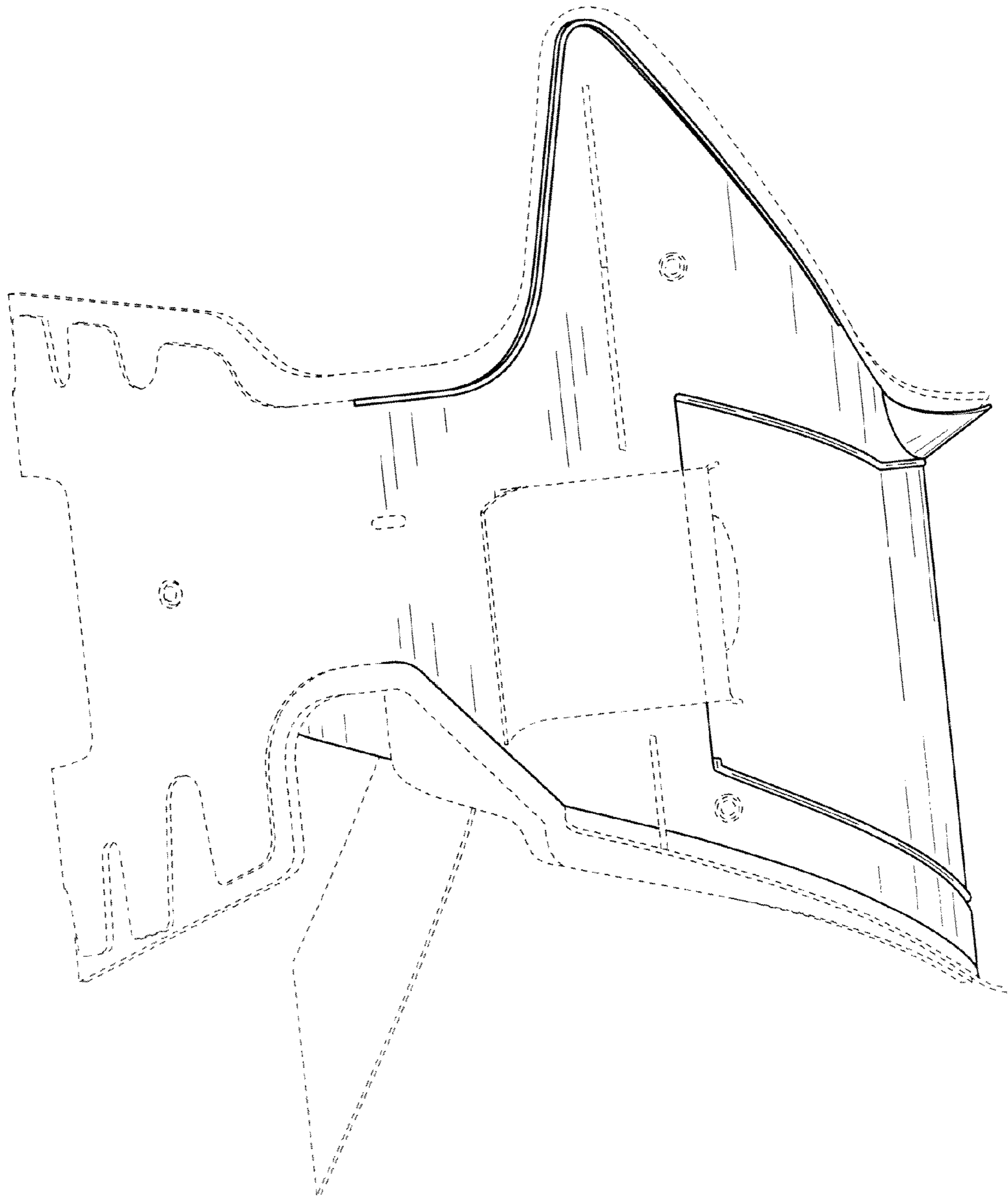


FIG. 5