



US00D644327S

(12) **United States Design Patent**
Singh

(10) **Patent No.:** **US D644,327 S**

(45) **Date of Patent:** **** Aug. 30, 2011**

(54) **TREPHINE DRILL**

(76) Inventor: **Pankaj P. Singh**, Brookville, NY (US)

(**) Term: **14 Years**

(21) Appl. No.: **29/369,101**

(22) Filed: **Sep. 2, 2010**

(51) **LOC (9) Cl.** **24-02**

(52) **U.S. Cl.** **D24/146; D15/139; D24/152**

(58) **Field of Classification Search** D24/133,
D24/152, 155-156, 154, 146-147, 176-182;
D8/24, 70, 86; D15/132, 138-139; 606/53,
606/79, 80, 86 R, 96, 98; 433/82, 114, 124-125,
433/133, 141-142, 165-166, 173-176
See application file for complete search history.

(56) **References Cited**

U.S. PATENT DOCUMENTS

4,296,656	A	10/1981	Ernst	
D268,615	S *	4/1983	Biggs	D24/156
4,588,381	A *	5/1986	Caracciolo	433/173
4,820,156	A *	4/1989	Ross	433/165
D317,455	S	6/1991	Martin	
D321,894	S	11/1991	Harris	
5,066,230	A *	11/1991	Weissman	433/165
5,098,293	A *	3/1992	Loof et al.	433/165
5,161,973	A *	11/1992	Johnson	433/221
D351,908	S *	10/1994	Shaw	D24/152
D355,487	S *	2/1995	Broberg	D24/156
D385,468	S	10/1997	Wallach	
D399,956	S *	10/1998	Mendoza	D24/156
D408,831	S	4/1999	McGregor	
D438,219	S	2/2001	Brutscher	
D466,139	S	11/2002	Kim et al.	
D564,547	S	3/2008	Keightley	

D575,808	S	8/2008	Zeiler et al.	
D588,175	S	3/2009	Morton	
D597,110	S *	7/2009	Anitua Aldecoa	D15/139
D620,035	S	7/2010	Eades	
2009/0264888	A1 *	10/2009	Neumeyer et al.	606/80

OTHER PUBLICATIONS

Google Image Result for http://i00.i.aliimg.com/photo/v0/343268256/Dental_implant_trephine_drill.jpg. 1 page. Viewed Mar. 30, 2011.*

Google Image Result for http://www.osseoustech.net/store/image.php?object_type=product&image_id=1602. 1 page. Viewed Mar. 31, 2011.*

* cited by examiner

Primary Examiner — Ian Simmons

Assistant Examiner — Wan Laymon

(74) *Attorney, Agent, or Firm* — QuickPatents, Inc.; Kevin Prince

(57) **CLAIM**

What is claimed is the ornamental design for a trephine drill, as shown and described.

DESCRIPTION

FIG. 1 is a perspective view of a trephine drill, showing the new design;

FIG. 2 is a front elevational view thereof;

FIG. 3 is a rear elevational view thereof;

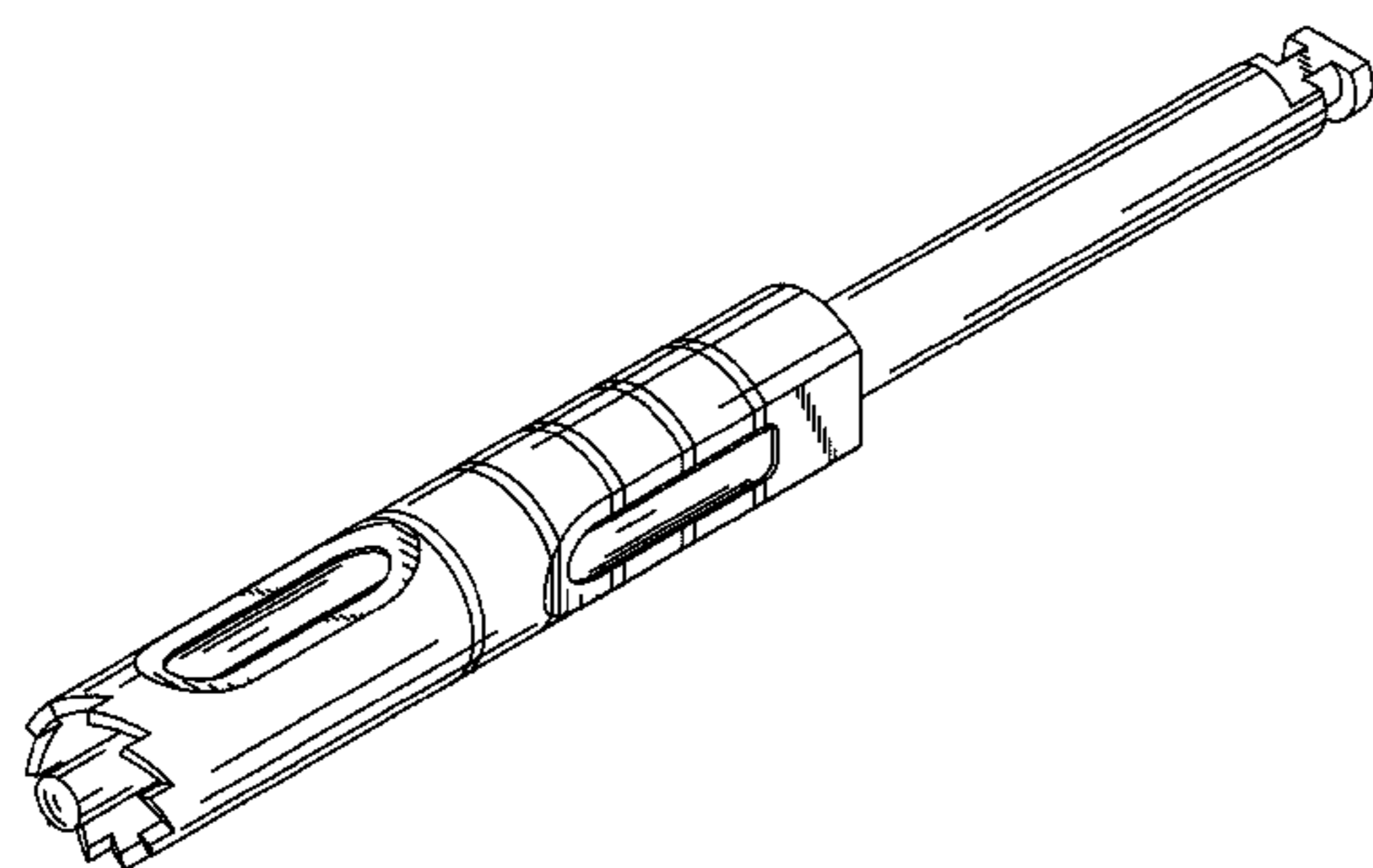
FIG. 4 is a right-side elevational view thereof;

FIG. 5 is a left-side elevational view thereof;

FIG. 6 is a top plan view thereof; and,

FIG. 7 is a bottom plan view thereof.

1 Claim, 2 Drawing Sheets



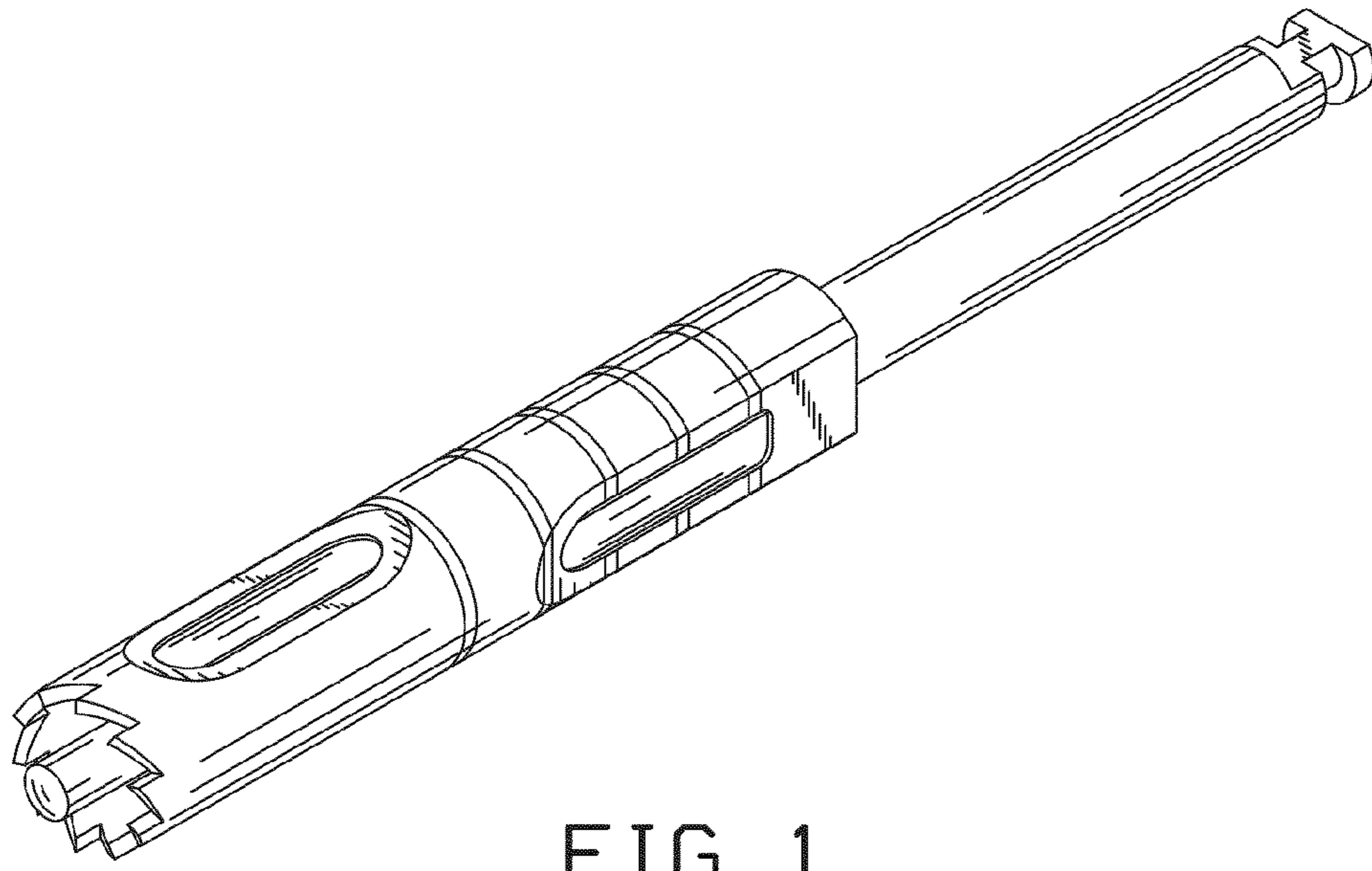


FIG. 1

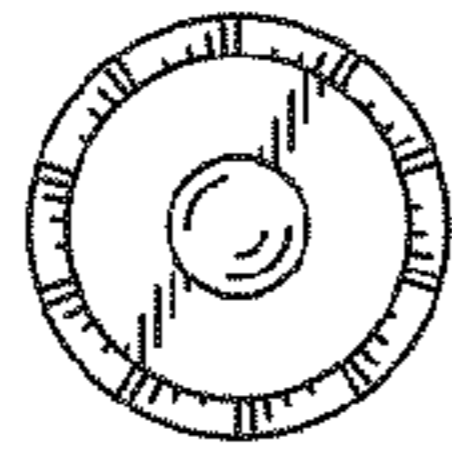


FIG. 2

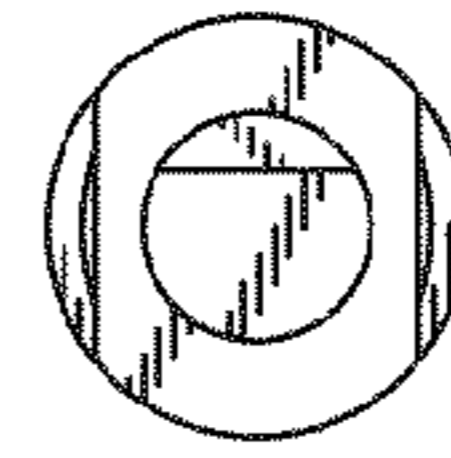


FIG. 3

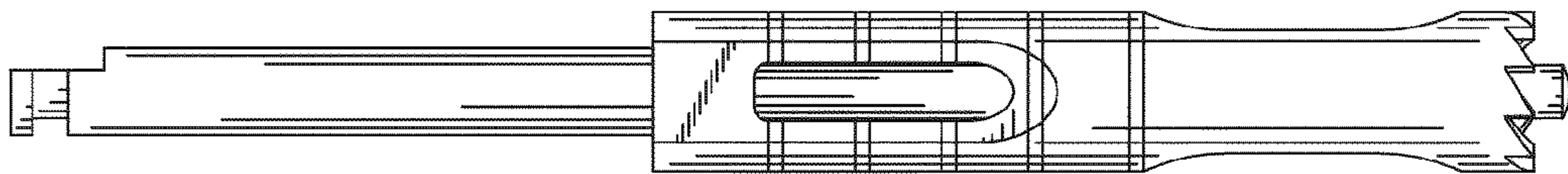


FIG. 4

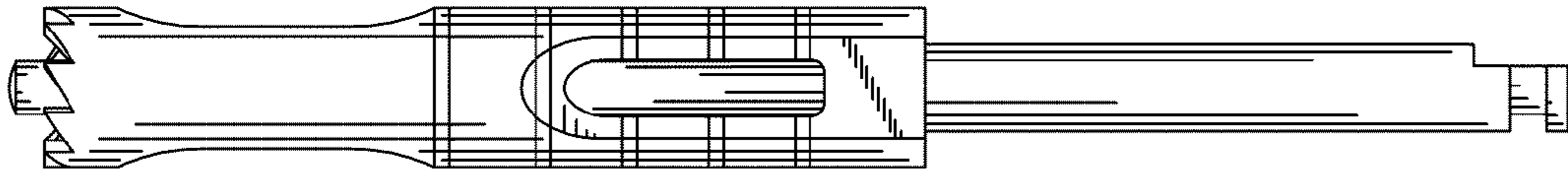


FIG. 5

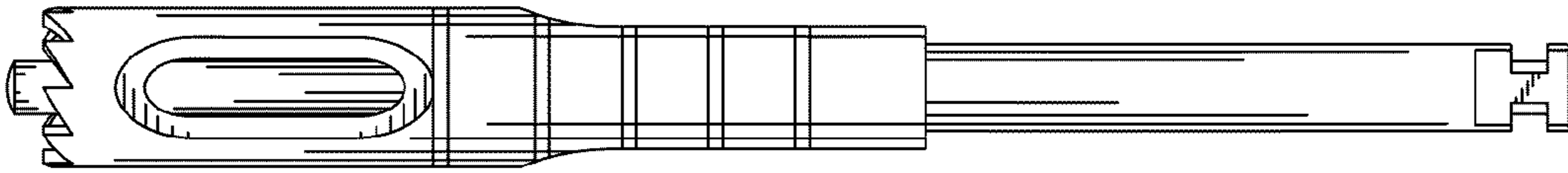


FIG. 6

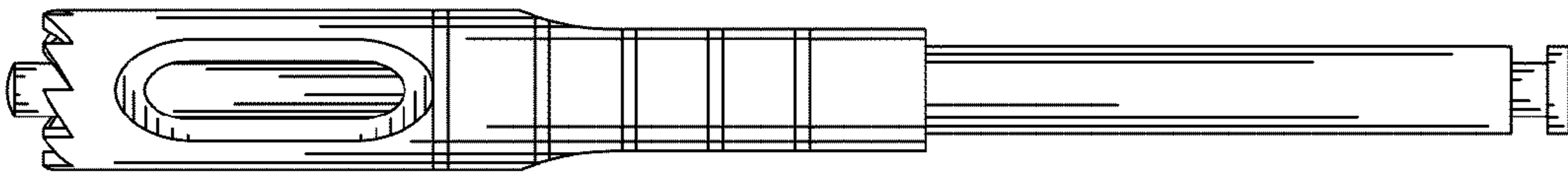


FIG. 7