



US00D644326S

(12) **United States Design Patent**  
**Voic et al.**

(10) **Patent No.:** **US D644,326 S**

(45) **Date of Patent:** **\*\* Aug. 30, 2011**

(54) **ULTRASONIC WOUND TREATMENT PROBE**

(75) Inventors: **Dan Voic**, Cedar Grove, NJ (US);  
**Mircea Paraschiv**, Nesconset, NY (US)

(73) Assignee: **Misonix, Incorporated**, Farmingdale,  
NY (US)

(\*\*) Term: **14 Years**

(21) Appl. No.: **29/372,636**

(22) Filed: **Dec. 16, 2010**

(51) **LOC (9) Cl.** ..... **24-02**

(52) **U.S. Cl.** ..... **D24/144; D24/146**

(58) **Field of Classification Search** ..... D24/107,  
D24/144, 146-147, 170, 186; 600/101, 459,  
600/437; 604/22; 606/79, 85, 107, 167,  
606/169-170; 128/200.16

See application file for complete search history.

(56) **References Cited**

**U.S. PATENT DOCUMENTS**

5,479,929	A	1/1996	Cooper et al.	
6,551,245	B1 *	4/2003	Irioka et al. ....	600/437
6,799,729	B1	10/2004	Voic	
6,916,296	B2	7/2005	Soring et al.	
7,025,735	B2	4/2006	Soring et al.	

D627,463	S	11/2010	Voic et al.	
7,931,611	B2 *	4/2011	Novak et al. ....	604/22
2006/0235306	A1	10/2006	Cotter et al.	
2006/0241470	A1	10/2006	Novak et al.	
2008/0058585	A1	3/2008	Novak et al.	
2008/0058775	A1	3/2008	Darian et al.	
2008/0300591	A1	12/2008	Darian et al.	

\* cited by examiner

*Primary Examiner* — Ian Simmons

*Assistant Examiner* — Wan Laymon

(74) *Attorney, Agent, or Firm* — R. Neil Sudol; Henry D. Coloman; William J. Sapone

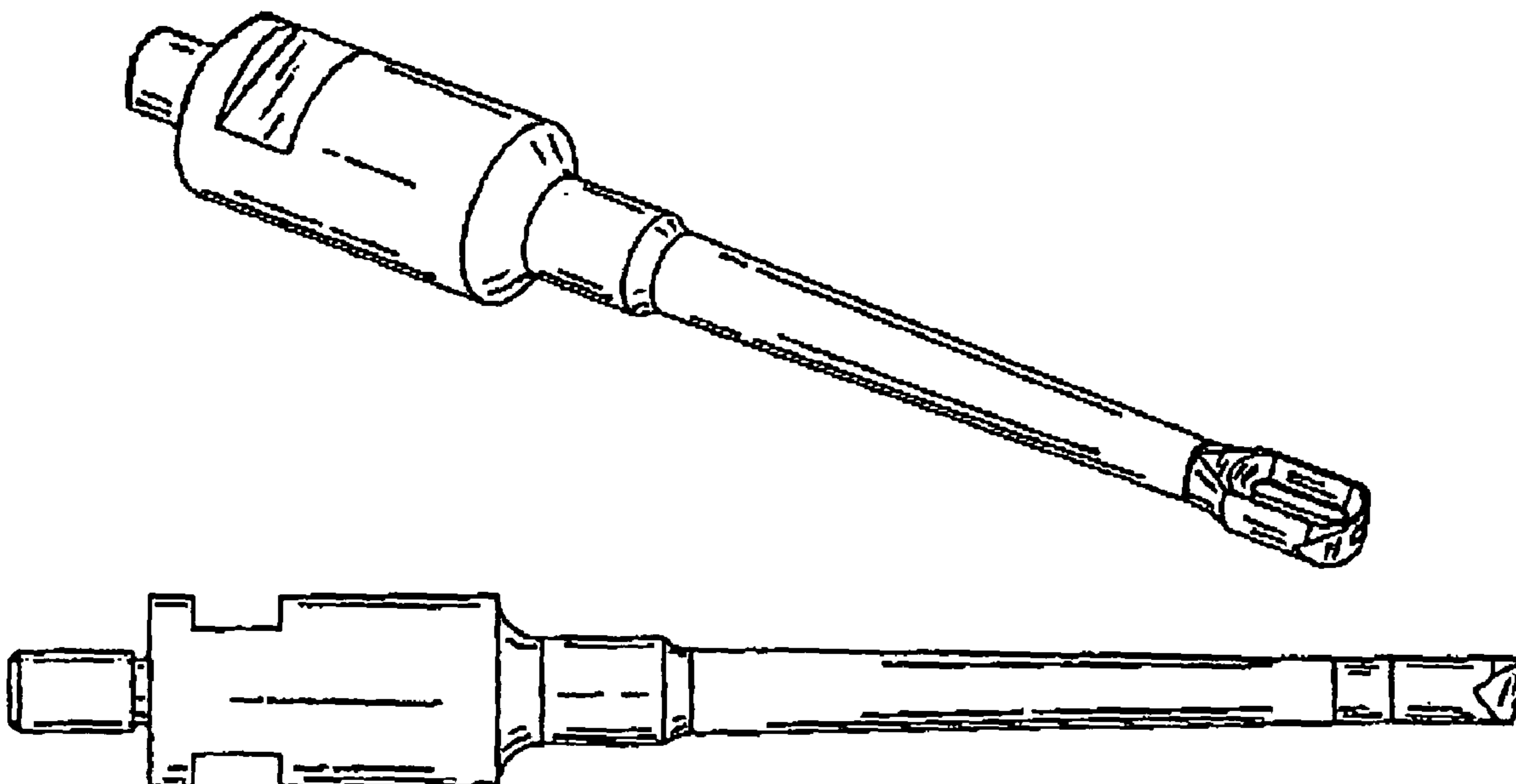
(57) **CLAIM**

The ornamental design for the ultrasonic wound treatment probe, as shown and described.

**DESCRIPTION**

FIG. 1 is a top, front, and left side perspective view of an ultrasonic wound treatment probe, showing our new design; FIG. 2 is a top plan view thereof; FIG. 3 is a front elevational view thereof; FIG. 4 is a bottom plan view thereof; FIG. 5 is a rear elevational view thereof; and, FIG. 6 is a left side elevational view thereof, the right side elevational view being identical thereto.

**1 Claim, 1 Drawing Sheet**



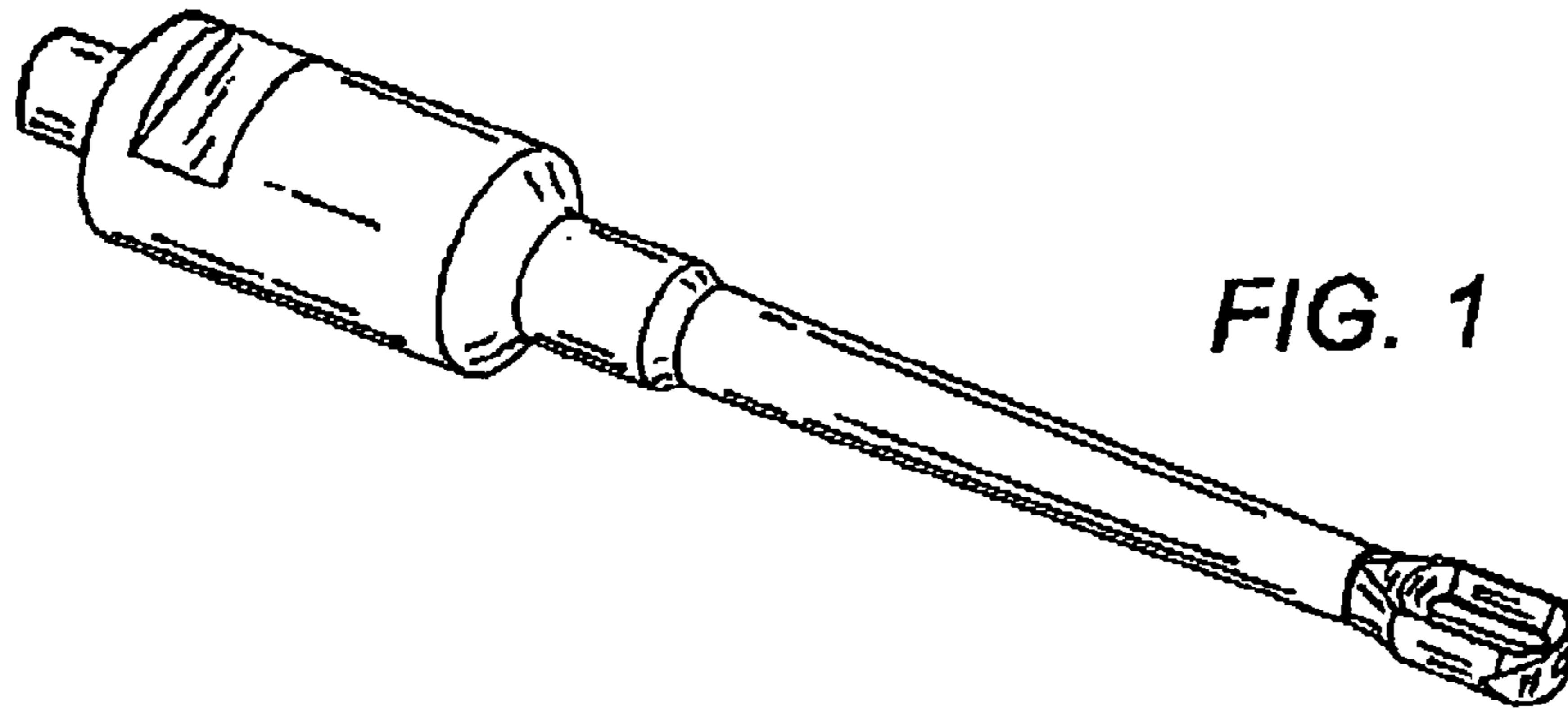


FIG. 1

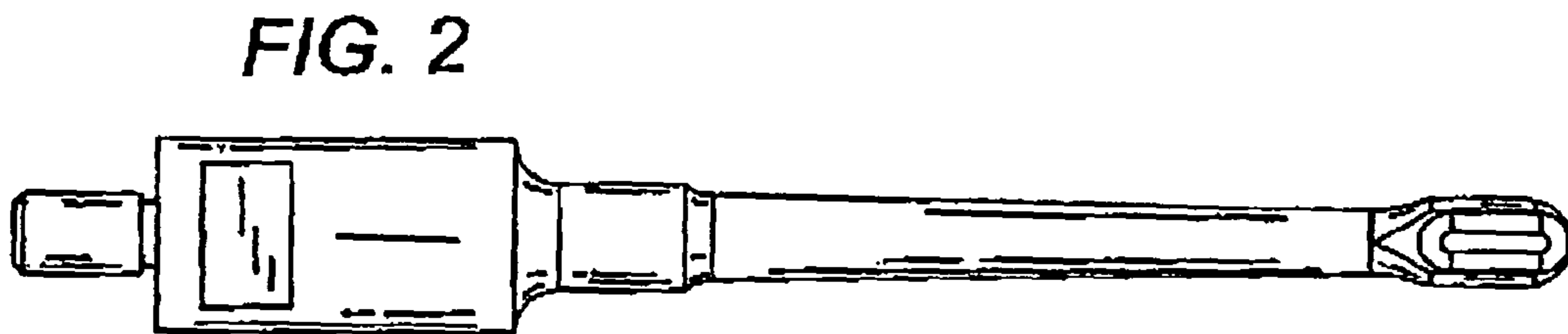


FIG. 2

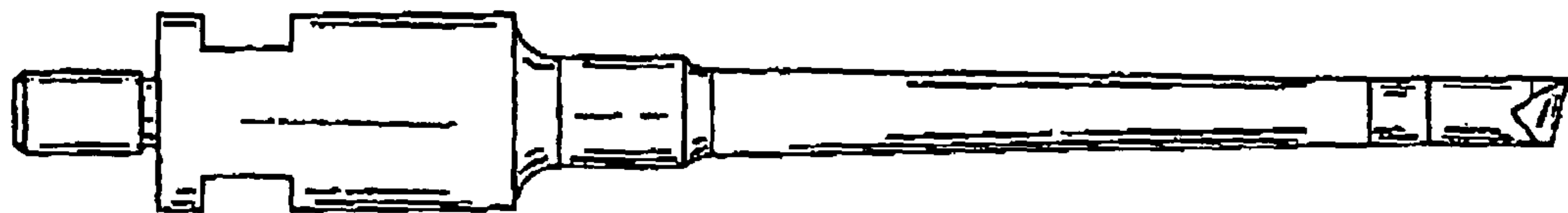


FIG. 6

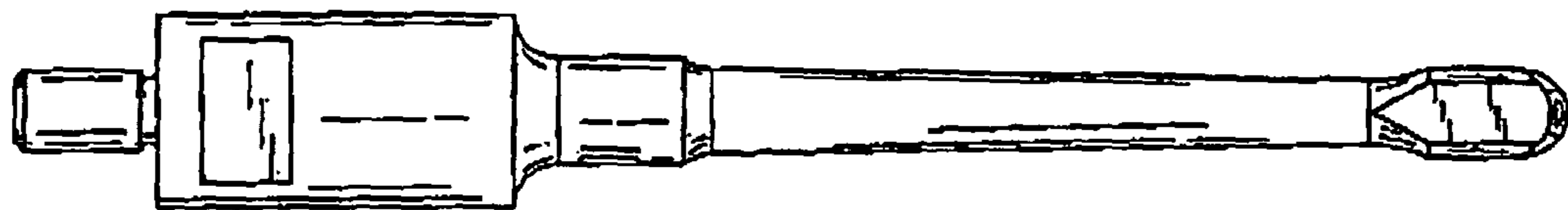


FIG. 4

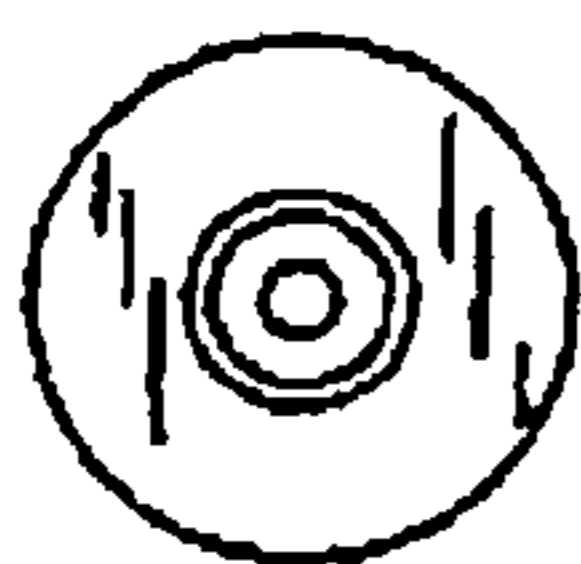


FIG. 5

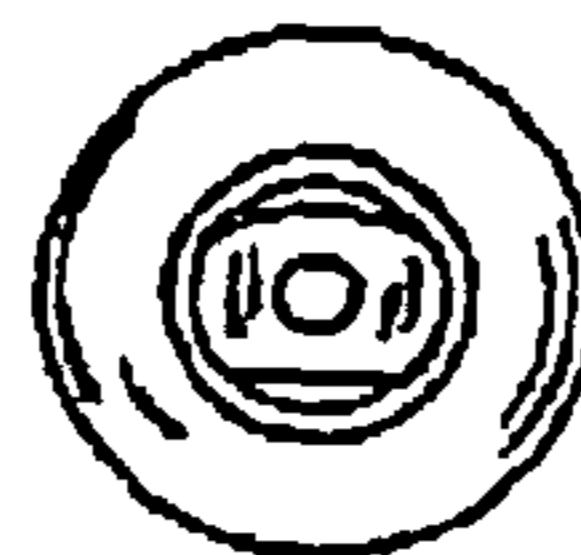


FIG. 3

UNITED STATES PATENT AND TRADEMARK OFFICE  
**CERTIFICATE OF CORRECTION**

PATENT NO. : D644,326 S  
APPLICATION NO. : 29/372636  
DATED : August 30, 2011  
INVENTOR(S) : Ronald Manna

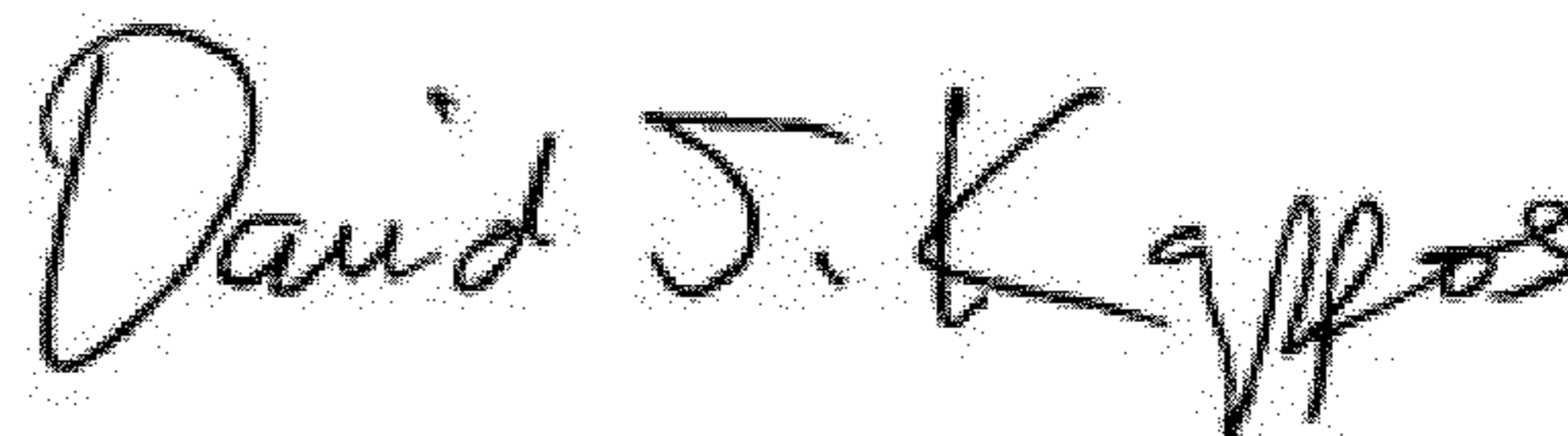
Page 1 of 3

It is certified that error appears in the above-identified patent and that said Letters Patent is hereby corrected as shown below:

The Title page, showing an illustrative figure, should be deleted and substitute therefor the attached Title page.

Delete Drawing sheet 1, and substitute therefor the Drawing sheet, consisting of FIGS. 1-5, shown on attached sheet.

Signed and Sealed this  
Thirty-first Day of July, 2012



David J. Kappos  
*Director of the United States Patent and Trademark Office*

(12) **United States Design Patent**  
**Voic et al.**

(10) **Patent No.:** **US D644,326 S**  
(45) **Date of Patent:** **\*\* Aug. 30, 2011**

(54) **ULTRASONIC WOUND TREATMENT PROBE**

(75) Inventors: **Dan Voic**, Cedar Grove, NJ (US);  
**Mircea Paraschiv**, Nesconset, NY (US)

(73) Assignee: **Misonix, Incorporated**, Farmingdale,  
 NY (US)

(\*\*) Term: **14 Years**

(21) Appl. No.: **29/372,636**

(22) Filed: **Dec. 16, 2010**

(51) **LOC (9) Cl.** ..... **24-02**

(52) **U.S. Cl.** ..... **D24/144; D24/146**

(58) **Field of Classification Search** ..... **D24/107,**  
**D24/144, 146-147, 170, 186; 600/101, 459,**  
**600/437; 604/22; 606/79, 85, 107, 167,**  
**606/169-170; 128/200.16**

See application file for complete search history.

(56) **References Cited**

**U.S. PATENT DOCUMENTS**

5,479,929	A	1/1996	Cooper et al.	
6,551,245	B1 *	4/2003	Irioka et al.	600/437
6,799,729	B1	10/2004	Voic	
6,916,296	B2	7/2005	Soring et al.	
7,025,735	B2	4/2006	Soring et al.	

D627,463	S	11/2010	Voic et al.	
7,931,611	B2 *	4/2011	Novak et al.	604/22
2006/0235306	A1	10/2006	Cotter et al.	
2006/0241470	A1	10/2006	Novak et al.	
2008/0058585	A1	3/2008	Novak et al.	
2008/0058775	A1	3/2008	Darian et al.	
2008/0300591	A1	12/2008	Darian et al.	

\* cited by examiner

*Primary Examiner* — Ian Simmons

*Assistant Examiner* — Wan Laymon

(74) *Attorney, Agent, or Firm* — R. Neil Sudol; Henry D. Coloman; William J. Sapone

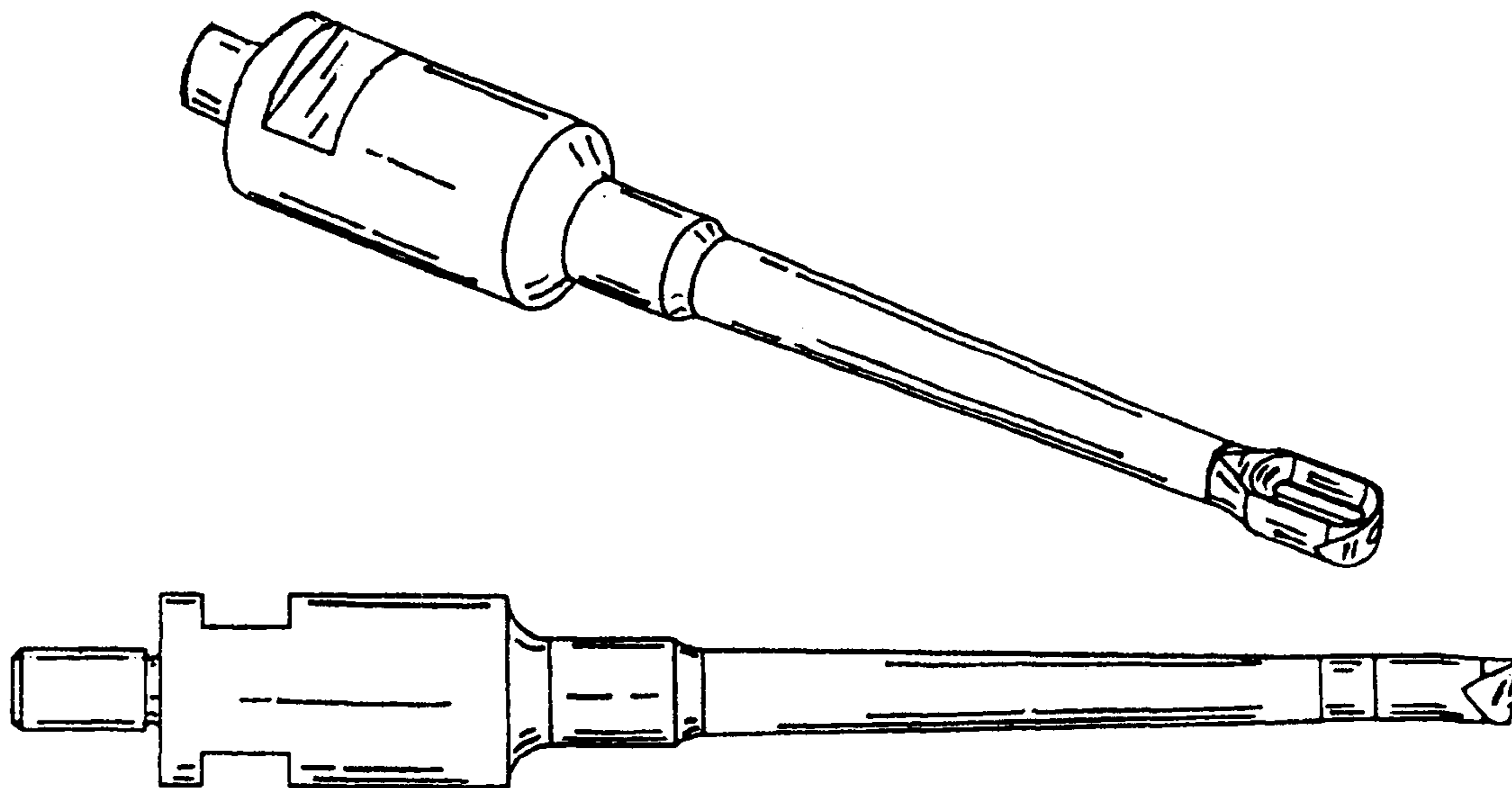
(57) **CLAIM**

The ornamental design for the ultrasonic wound treatment probe, as shown and described.

**DESCRIPTION**

FIG. 1 is a top, front, and left side perspective view of an ultrasonic wound treatment probe, showing our new design; FIG. 2 is a top plan view thereof; FIG. 3 is a front elevational view thereof; FIG. 4 is a bottom plan view thereof; FIG. 5 is a rear elevational view thereof; and, FIG. 6 is a left side elevational view thereof, the right side elevational view being identical thereto.

**1 Claim, 1 Drawing Sheet**



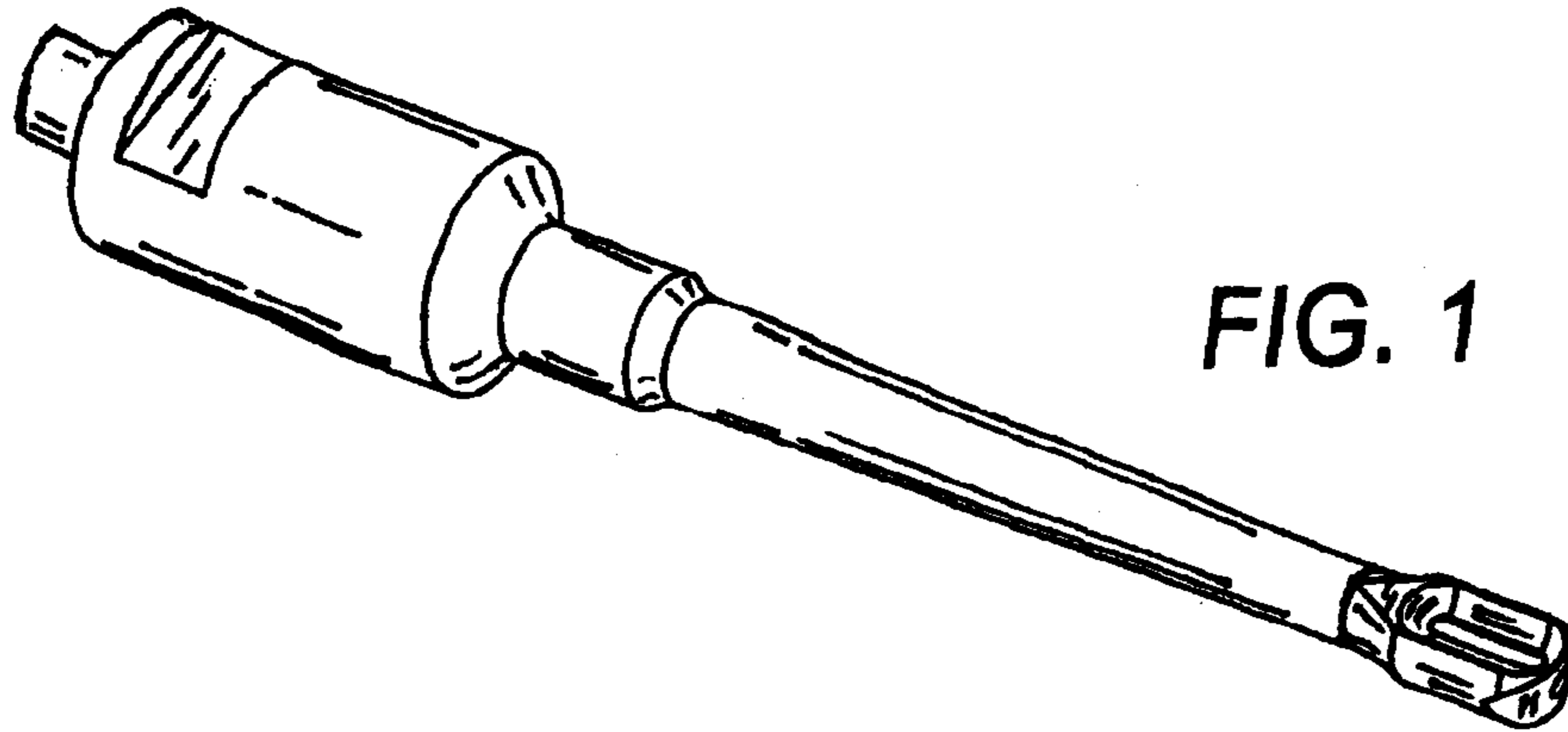


FIG. 1

FIG. 2

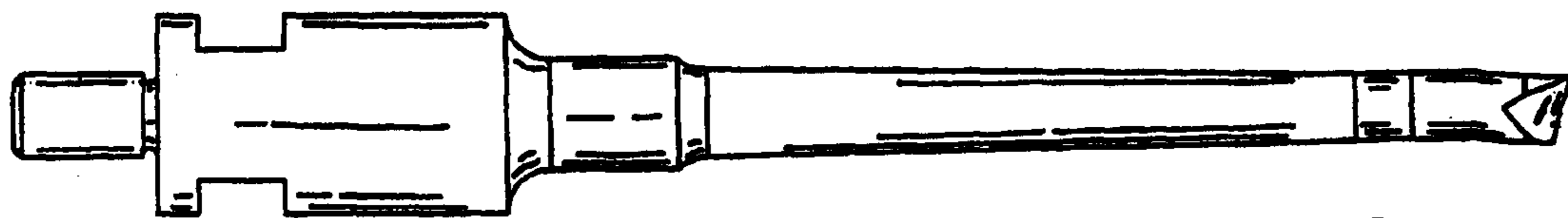
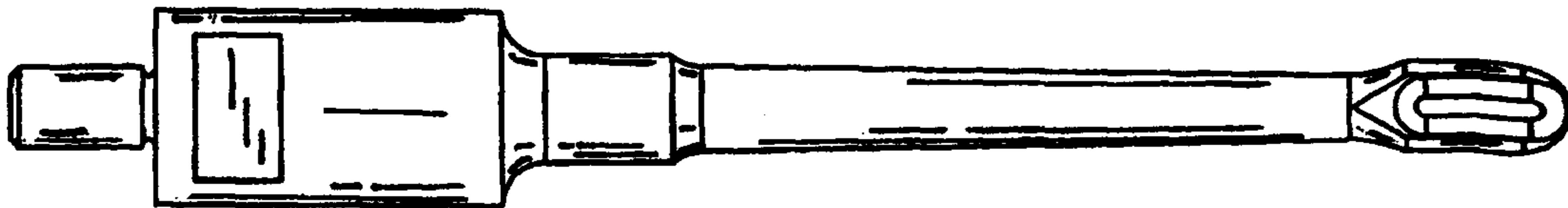


FIG. 6

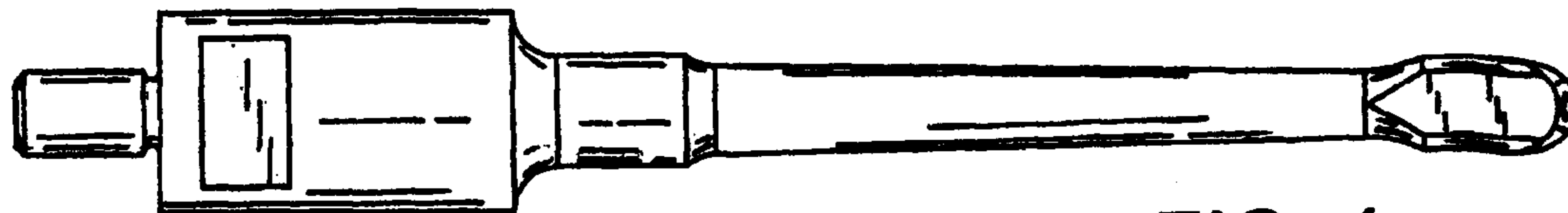


FIG. 4

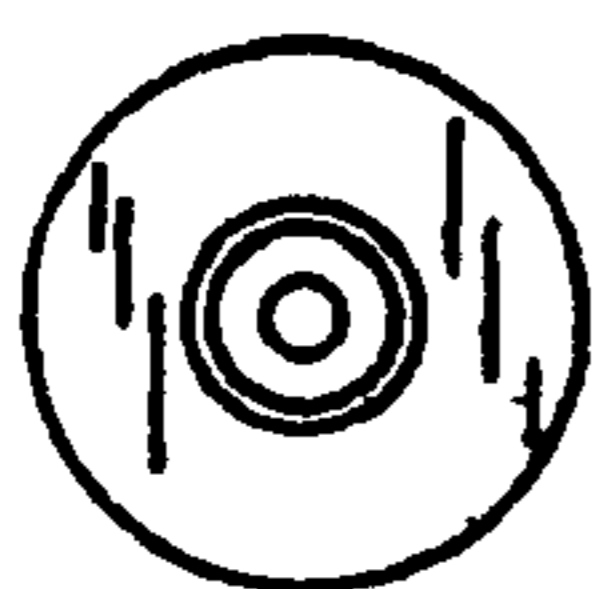


FIG. 5

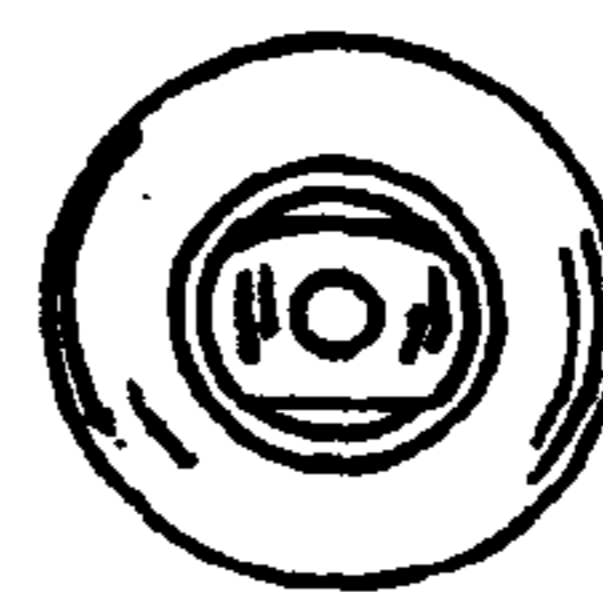


FIG. 3

UNITED STATES PATENT AND TRADEMARK OFFICE  
**CERTIFICATE OF CORRECTION**

PATENT NO. : D644,326 S  
APPLICATION NO. : 29/372636  
DATED : August 30, 2011  
INVENTOR(S) : Ronald Manna

Page 1 of 3

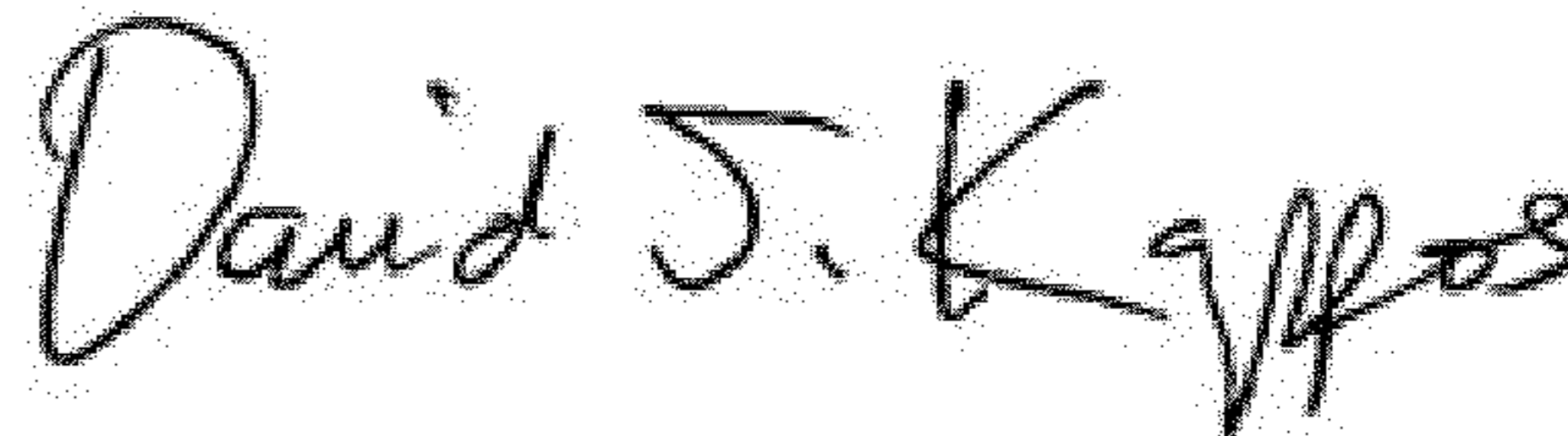
It is certified that error appears in the above-identified patent and that said Letters Patent is hereby corrected as shown below:

The Title page, showing an illustrative figure, should be deleted and substitute therefor the attached Title page.

Delete Drawing sheet 1, and substitute therefor the Drawing sheet, consisting of FIGS. 1-6, shown on attached sheet.

This certificate supersedes the Certificate of Correction issued July 31, 2012.

Signed and Sealed this  
Second Day of October, 2012

A handwritten signature in black ink that reads "David J. Kappos". The signature is written in a cursive, slightly slanted style.

David J. Kappos  
*Director of the United States Patent and Trademark Office*

(12) **United States Design Patent**  
**Voic et al.**

(10) **Patent No.:** **US D644,326 S**  
(45) **Date of Patent:** **\*\* Aug. 30, 2011**

(54) **ULTRASONIC WOUND TREATMENT PROBE**

(75) Inventors: **Dan Voic**, Cedar Grove, NJ (US);  
**Mircea Paraschiv**, Nesconset, NY (US)

(73) Assignee: **Misonix, Incorporated**, Farmingdale,  
 NY (US)

(\*\*) Term: **14 Years**

(21) Appl. No.: **29/372,636**

(22) Filed: **Dec. 16, 2010**

(51) **LOC (9) CI.** ..... **24-02**

(52) **U.S. Cl.** ..... **D24/144; D24/146**

(58) **Field of Classification Search** ..... D24/107,  
 D24/144, 146-147, 170, 186; 600/101, 459,  
 600/437; 604/22; 606/79, 85, 107, 167,  
 606/169-170; 128/200.16

See application file for complete search history.

(56) **References Cited**

**U.S. PATENT DOCUMENTS**

5,479,929	A	1/1996	Cooper et al.	
6,551,245	B1 *	4/2003	Irioka et al.	600/437
6,799,729	B1	10/2004	Voic	
6,916,296	B2	7/2005	Soring et al.	
7,025,735	B2	4/2006	Soring et al.	

D627,463	S	11/2010	Voic et al.	
7,931,611	B2 *	4/2011	Novak et al.	604/22
2006/0235306	A1	10/2006	Cotter et al.	
2006/0241470	A1	10/2006	Novak et al.	
2008/0058585	A1	3/2008	Novak et al.	
2008/0058775	A1	3/2008	Darian et al.	
2008/0300591	A1	12/2008	Darian et al.	

\* cited by examiner

*Primary Examiner* — Ian Simmons

*Assistant Examiner* Wan Layman

(74) *Attorney, Agent, or Firm* R. Neil Sudol; Henry D. Coloman; William J. Sapone

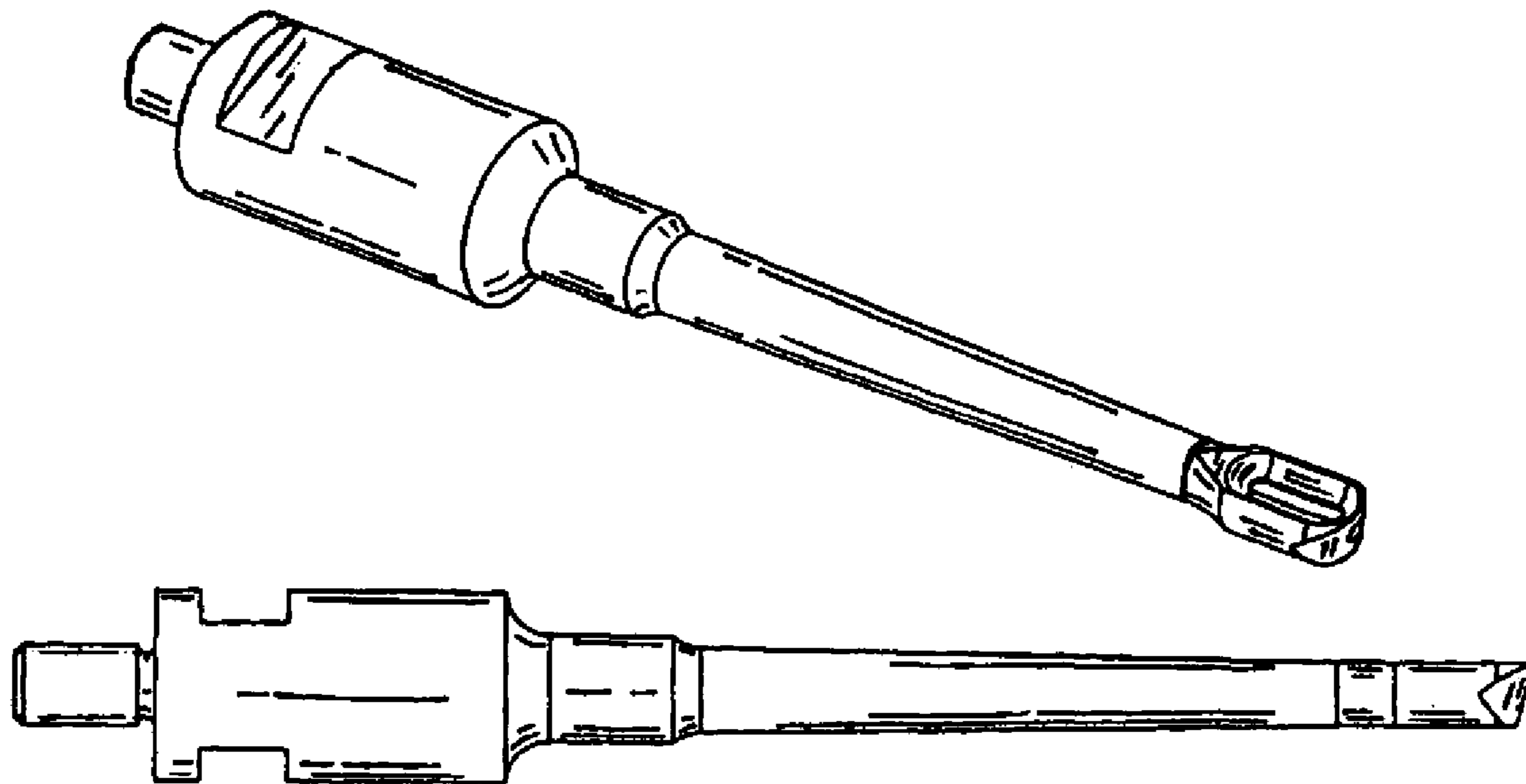
(57) **CLAIM**

The ornamental design for the ultrasonic wound treatment probe, as shown and described.

**DESCRIPTION**

FIG. 1 is a top, front, and left side perspective view of an ultrasonic wound treatment probe, showing our new design; FIG. 2 is a top plan view thereof; FIG. 3 is a front elevational view thereof; FIG. 4 is a bottom plan view thereof; FIG. 5 is a rear elevational view thereof; and, FIG. 6 is a left side elevational view thereof, the right side elevational view being identical thereto.

**1 Claim, 1 Drawing Sheet**



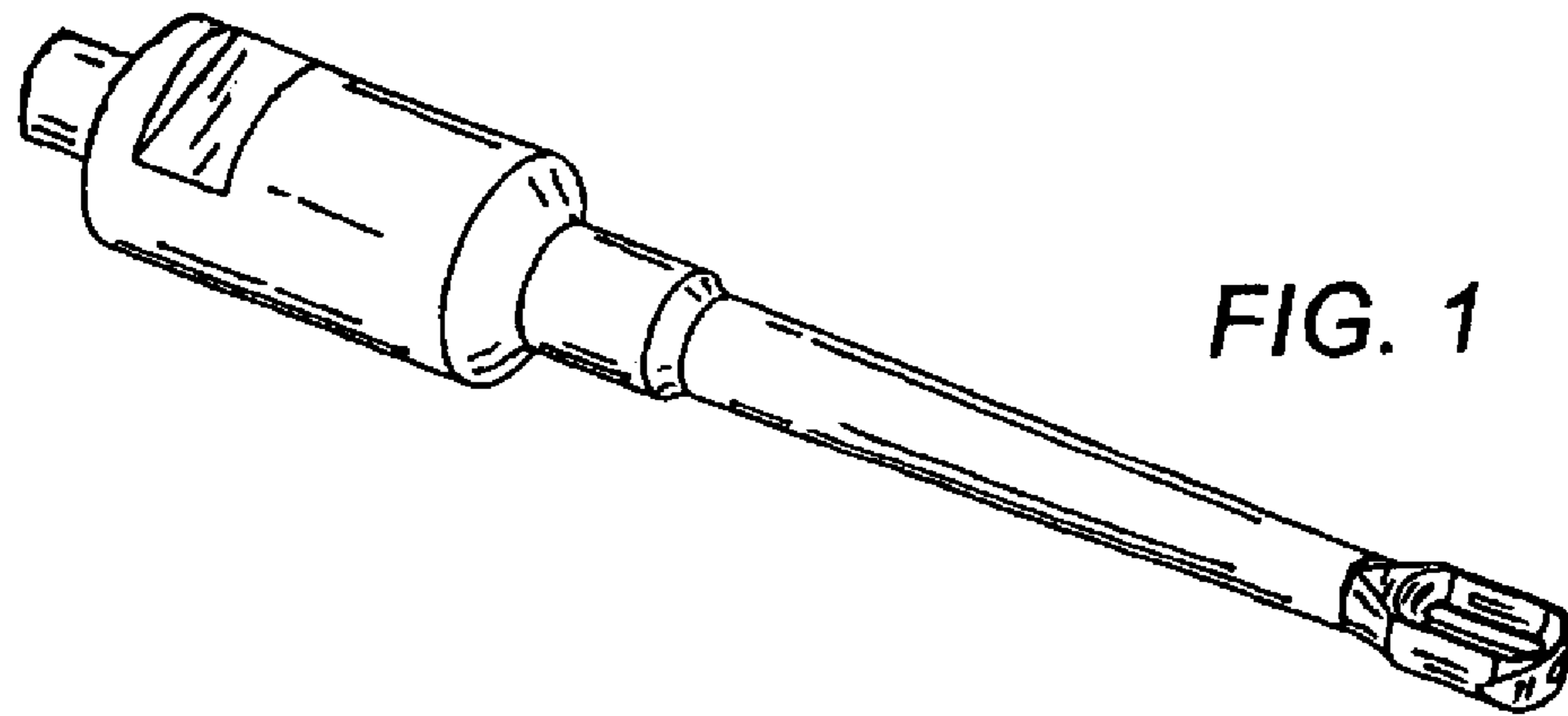


FIG. 1

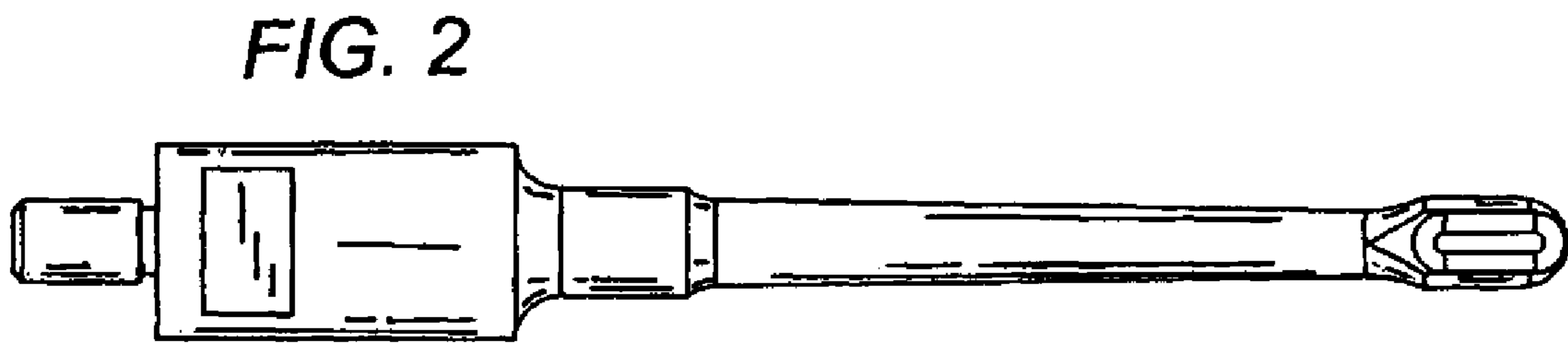


FIG. 2

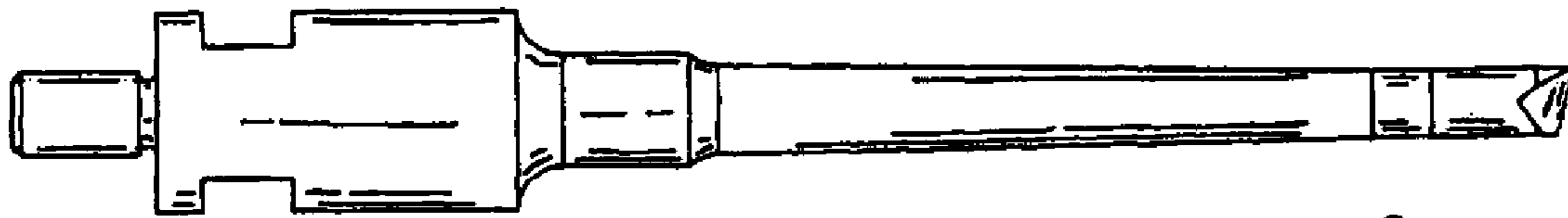


FIG. 6

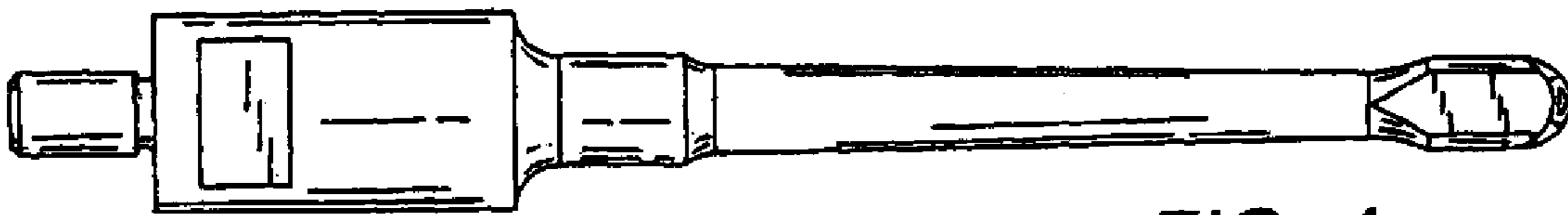


FIG. 4



FIG. 5

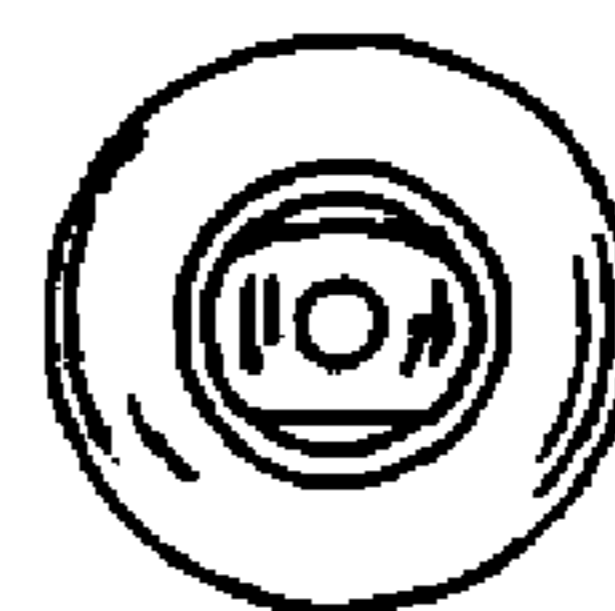


FIG. 3