



US00D644323S

(12) **United States Design Patent**  
**Burgess et al.**

(10) **Patent No.:** **US D644,323 S**

(45) **Date of Patent:** **\*\* Aug. 30, 2011**

(54) **FLUID COLLECTION CONTAINER LID**

(75) Inventors: **James E. Burgess**, Mundelein, IL (US);  
**John Kutsch**, Harvard, IL (US)

(73) Assignee: **Medline Industries, Inc.**, Mundelein, IL (US)

(\*\*) Term: **14 Years**

(21) Appl. No.: **29/360,669**

(22) Filed: **Apr. 29, 2010**

(51) **LOC (9) Cl.** ..... **24-04**

(52) **U.S. Cl.** ..... **D24/121**

(58) **Field of Classification Search** ..... D24/121,  
D24/123, 224; 210/435, 130, 136, 248, 339,  
210/448, 452; 604/317-325

See application file for complete search history.

(56) **References Cited**

U.S. PATENT DOCUMENTS

4,460,361	A *	7/1984	Nichols	.....	604/319
4,487,606	A *	12/1984	Leviton et al.	.....	604/319
4,880,411	A *	11/1989	Fangrow et al.	.....	604/319
4,909,780	A *	3/1990	Ouriel et al.	.....	604/319
5,158,533	A *	10/1992	Strauss et al.	.....	604/319
D370,263	S *	5/1996	Falkenberg et al.	.....	D24/224
5,944,703	A *	8/1999	Dixon et al.	.....	604/319
6,139,738	A *	10/2000	Maxwell	.....	210/248
D435,906	S *	1/2001	Wilkinson et al.	.....	D24/121
6,358,232	B1 *	3/2002	Hand et al.	.....	604/319
D522,145	S *	5/2006	Best et al.	.....	D24/224
D574,488	S *	8/2008	Chauvin	.....	D24/121
7,481,243	B2 *	1/2009	Michaels et al.	.....	604/319
7,497,340	B2	3/2009	Hershberger et al.		

OTHER PUBLICATIONS

Various Manufacturers, "Canisters and Lids from Allied, Ortho",  
*Unknown manufacturing date, but prior to the filing of the present application.*

Muller, David "Non-Final Office Action", USSN U.S. Appl. No. 29/360,679, Filed Apr. 29, 2010, James E. Burgess, first inventor, Mailed Jun. 9, 2010.

Muller, David "Final Office Action", USSN U.S. Appl. No. 29/360,679, Filed Apr. 29, 2010, Mailed Nov. 10, 2010

\* cited by examiner

*Primary Examiner* — David G Muller

(74) *Attorney, Agent, or Firm* — David S. Noskowicz; Philip H. Burrus, IV

(57) **CLAIM**

The ornamental design for a fluid collection container lid, as shown and described.

**DESCRIPTION**

This application is related to United States Design Application entitled "Fluid Collection Container with Lid" by James E. Burgess et al., U.S. Ser. No. 29/360,679 assigned to Medline Industries, Inc., and filed concurrently herewith.

FIG. 1 is a front, left, top perspective view of a fluid collection container lid, illustrating our new design;

FIG. 2 is a rear, right, bottom perspective view thereof;

FIG. 3 is a top, plan view thereof;

FIG. 4 is a bottom, plan view thereof;

FIG. 5 is a left elevation view thereof;

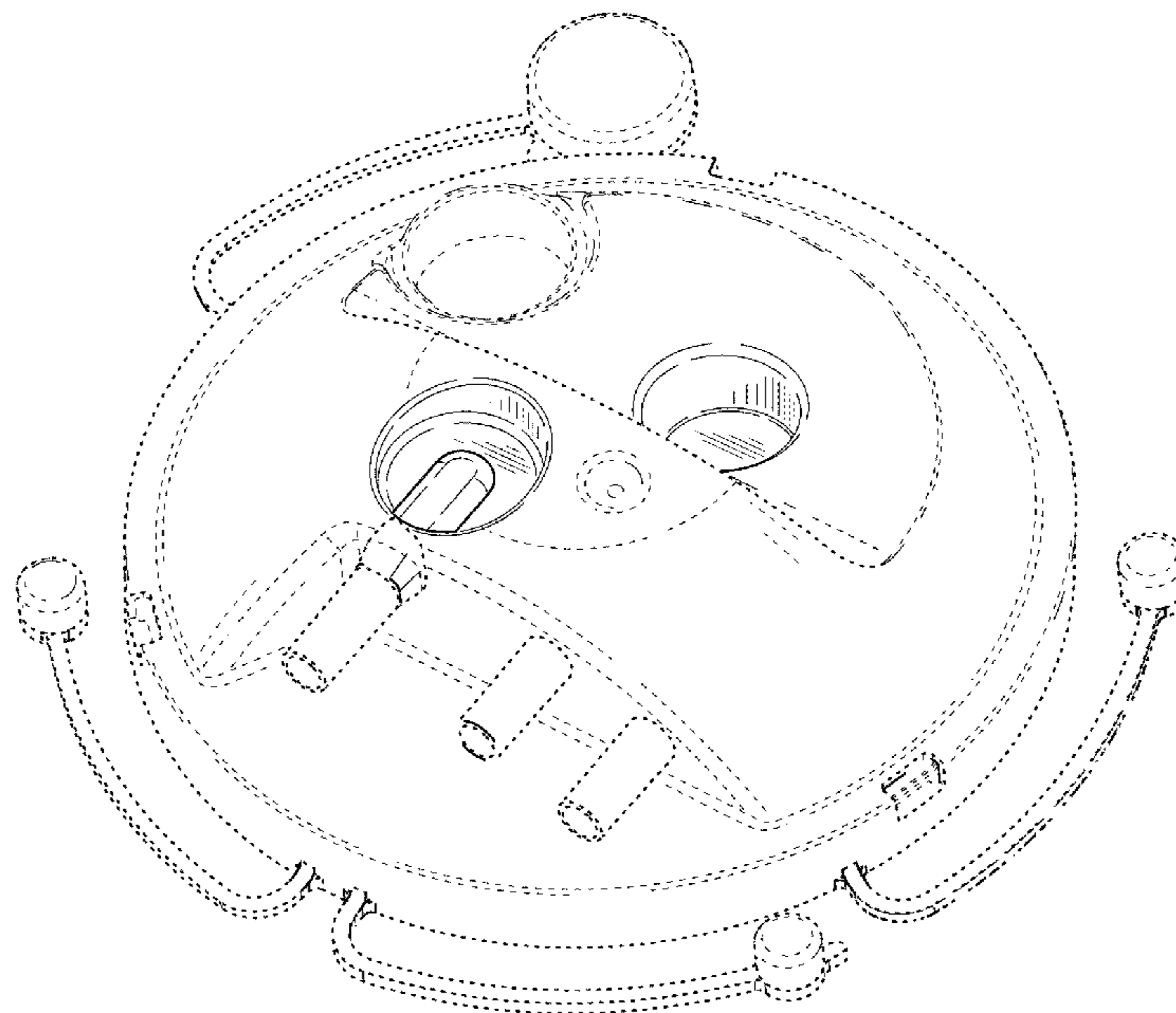
FIG. 6 is a right elevation view thereof;

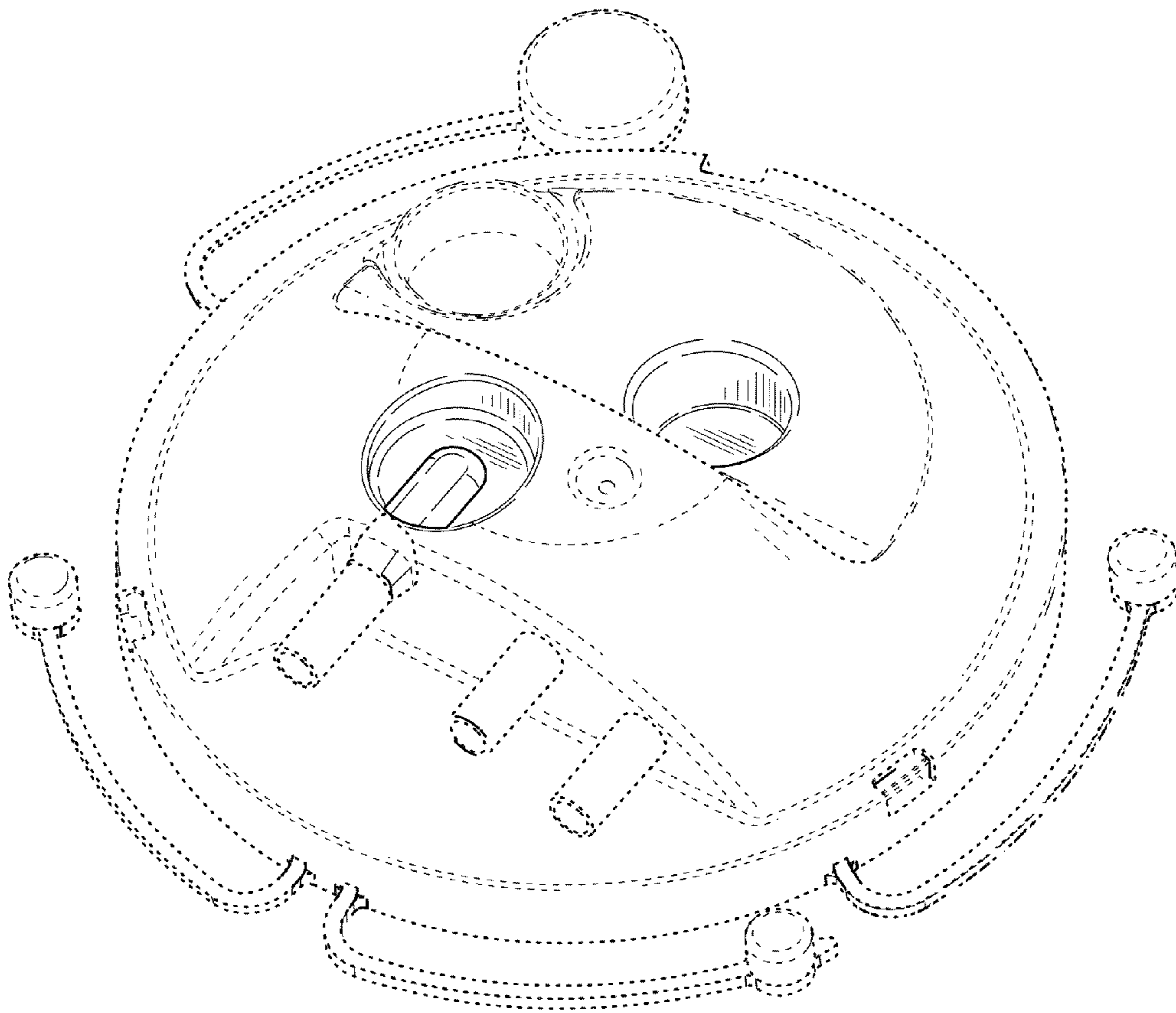
FIG. 7 is a front elevation view thereof; and,

FIG. 8 is a rear elevation view thereof.

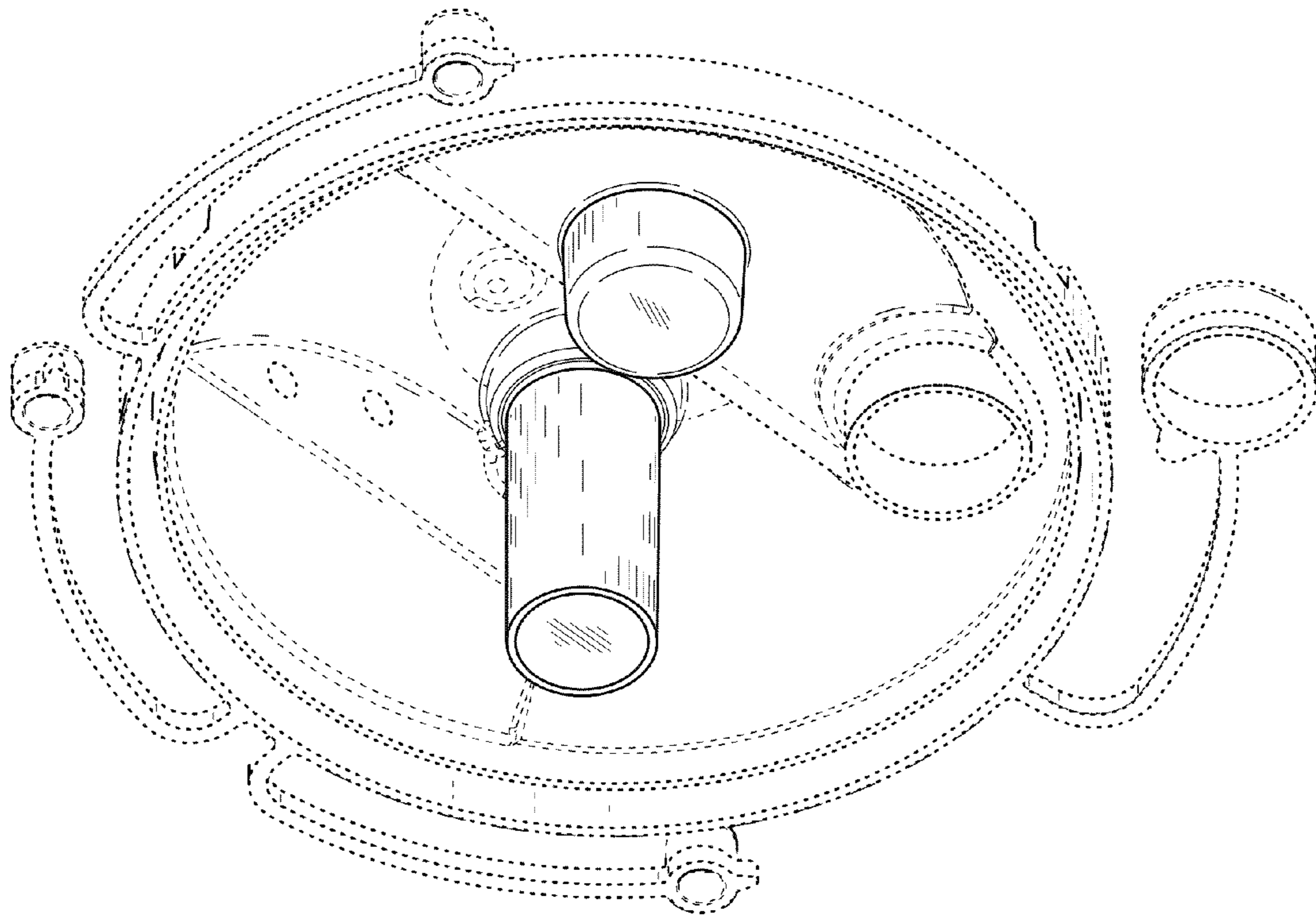
Dashed lines represent unclaimed subject matter throughout the views.

**1 Claim, 4 Drawing Sheets**

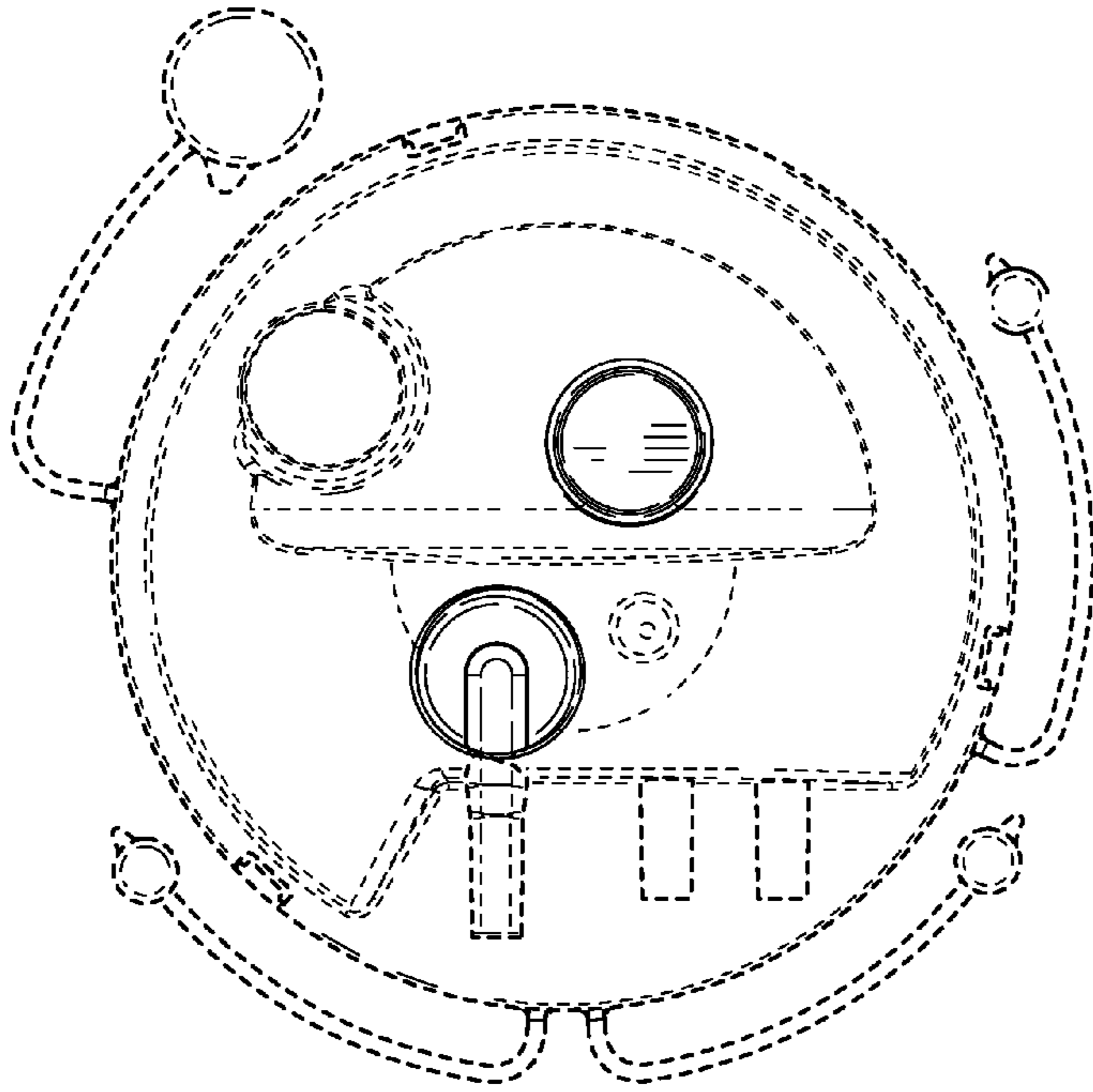




**FIG. 1**

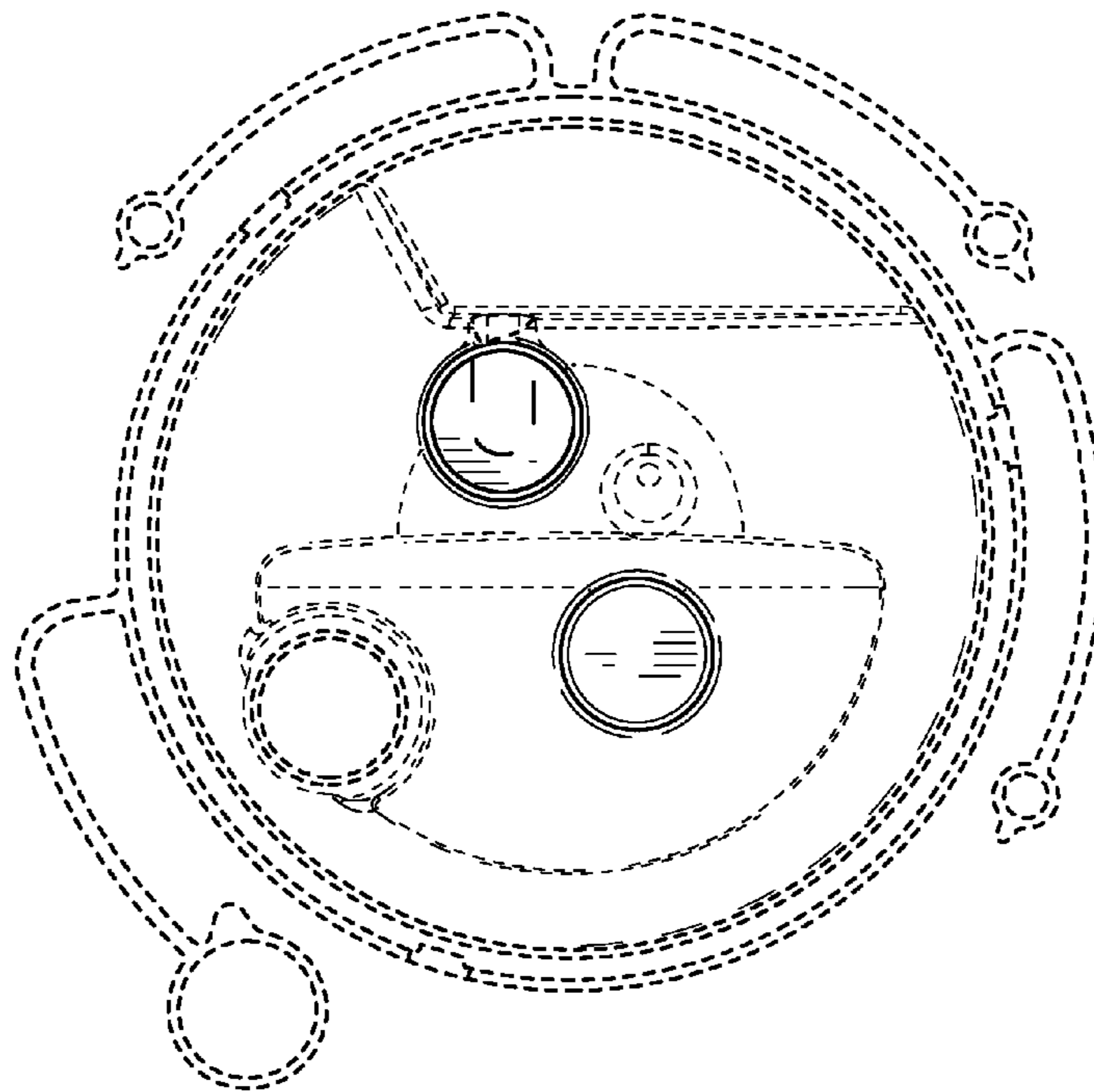


***FIG. 2***

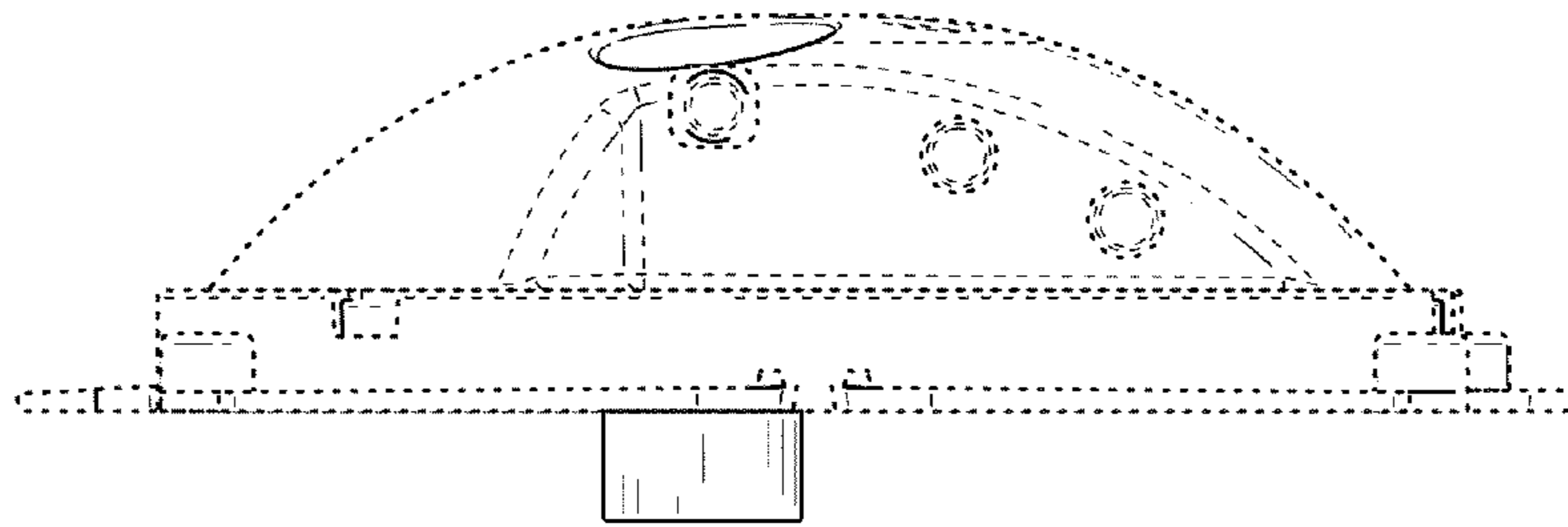


**FIG. 3**

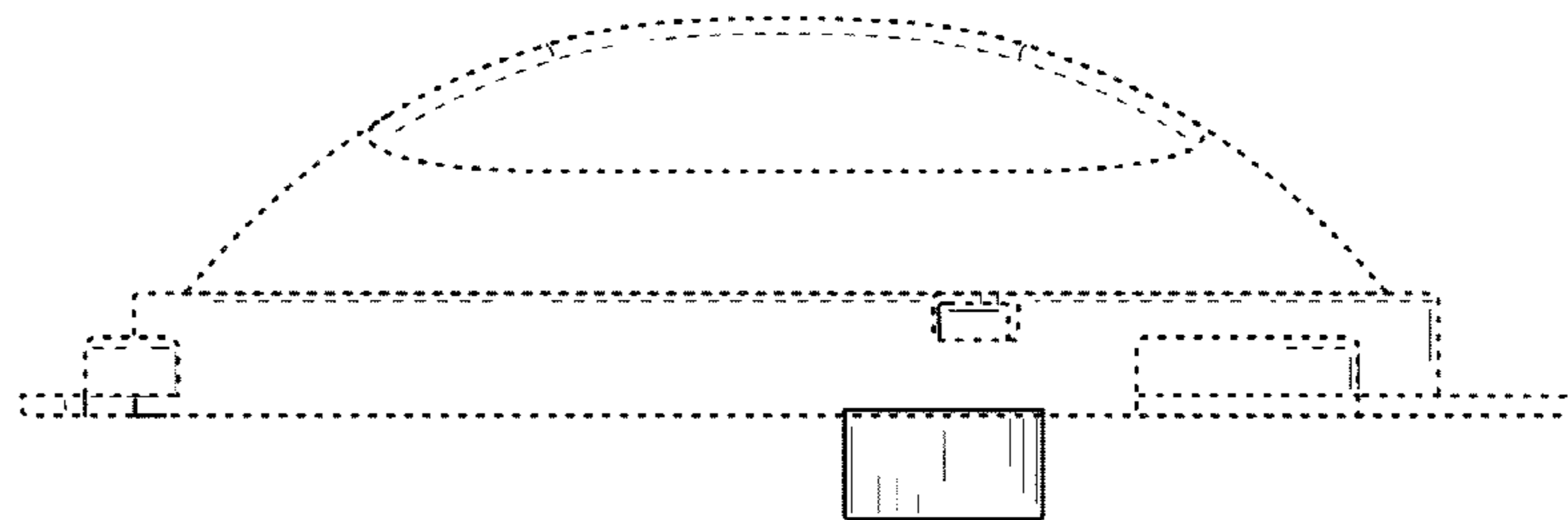
**FIG. 4**



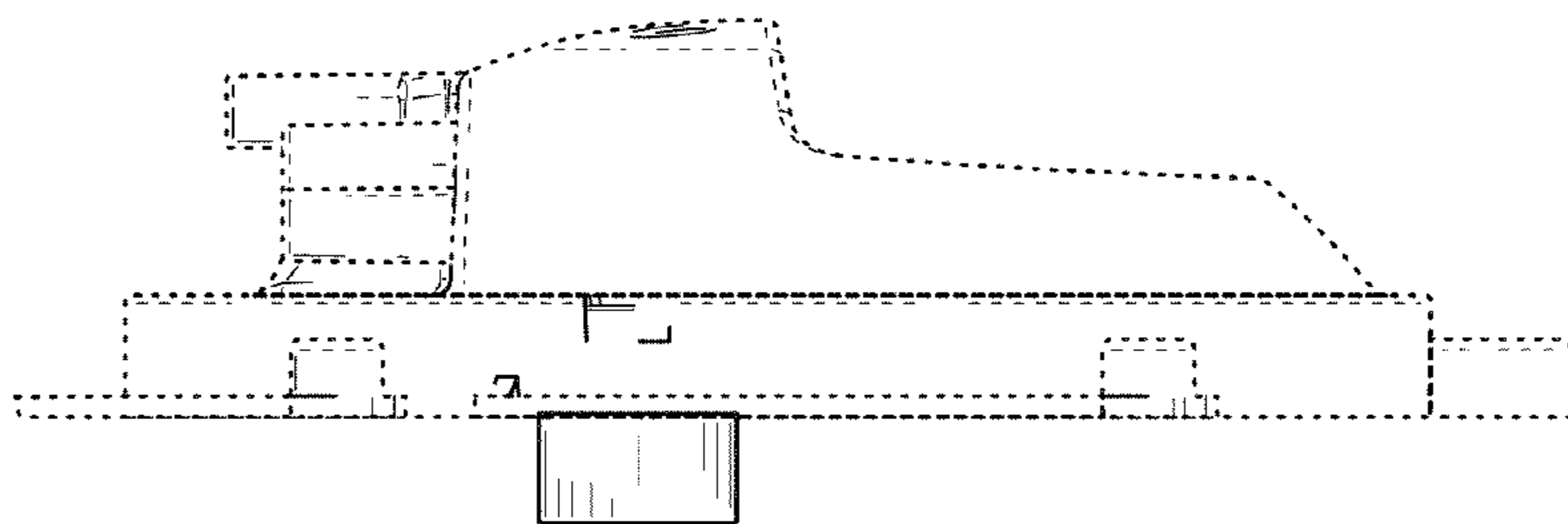
**FIG. 5**



**FIG. 6**



**FIG. 7**



**FIG. 8**

