



US00D644322S

(12) **United States Design Patent**
Py et al.

(10) **Patent No.:** **US D644,322 S**

(45) **Date of Patent:** **** Aug. 30, 2011**

(54) **DISPENSER**

(75) Inventors: **Daniel Py**, Stamford, CT (US); **Norbert M. Assion**, Shelton, CT (US); **Stephanie Ferreira**, Bridgeport, CT (US)

(73) Assignee: **Medical Instill Technologies, Inc.**, New Milford, CT (US)

(**) Term: **14 Years**

(21) Appl. No.: **29/379,390**

(22) Filed: **Nov. 18, 2010**

Related U.S. Application Data

(60) Division of application No. 29/346,863, filed on Nov. 6, 2009, now Pat. No. Des. 628,689, which is a division of application No. 29/332,347, filed on Feb. 13, 2009, which is a division of application No. 29/304,143, filed on Feb. 26, 2008, now Pat. No. Des. 586,912, which is a division of application No. 29/272,946, filed on Feb. 22, 2007, now Pat. No. Des. 575,391, which is a division of application No. 29/245,663, filed on Dec. 28, 2005, now Pat. No. Des. 540,908, which is a division of application No. 29/225,228, filed on Mar. 14, 2005, now Pat. No. Des. 518,144, which is a division of application No. 29/200,756, filed on Mar. 3, 2004, now Pat. No. Des. 518,872, which is a division of application No. 29/174,936, filed on Jan. 27, 2003, now Pat. No. Des. 504,713, which is a continuation-in-part of application No. 10/272,577, filed on Oct. 16, 2002, now Pat. No. 6,957,752.

(51) **LOC (9) Cl.** **24-02**

(52) **U.S. Cl.** **D24/112**

(58) **Field of Classification Search** D23/213;
D24/112, 114; 222/386; 604/218; 401/55

See application file for complete search history.

(56) **References Cited**

U.S. PATENT DOCUMENTS

2,128,035 A	8/1938	Boetel	
2,185,536 A *	1/1940	Borland et al.	604/218
2,695,735 A	11/1954	Van Doornik	
3,141,460 A *	7/1964	Tsochatzopoulos	600/577
3,200,813 A *	8/1965	Christakis	600/566
3,412,910 A	11/1968	Hahn	
3,424,158 A *	1/1969	Silver	604/514
3,648,903 A	3/1972	Marchant	
3,669,323 A	6/1972	Harker et al.	
3,963,814 A	6/1976	Cospen et al.	
4,002,516 A	1/1977	Gaborieau et al.	
4,102,476 A	7/1978	Loeffler	

(Continued)

FOREIGN PATENT DOCUMENTS

EP 0649795 B1 6/1999

(Continued)

Primary Examiner — Robin Webster

(74) *Attorney, Agent, or Firm* — McCarter & English, LLP

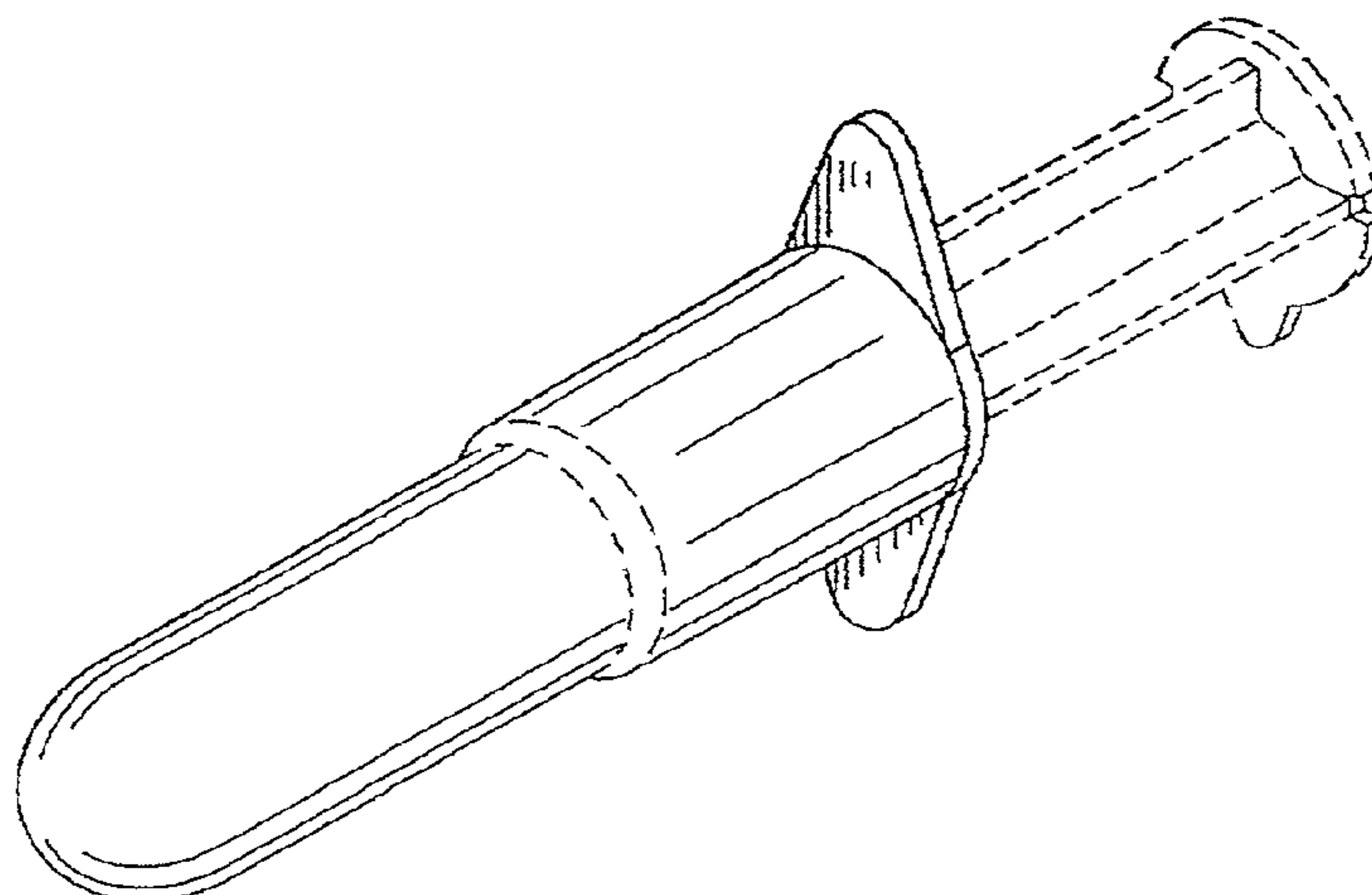
(57) **CLAIM**

We claim, the ornamental design for a dispenser, as shown and described.

DESCRIPTION

FIG. 1 is a side perspective view of an embodiment of a dispenser showing our new design; FIG. 2 is a bottom plan view of the dispenser of FIG. 1; FIG. 3 is a side view of the dispenser of FIG. 1; and, FIG. 4 is a top plan view of the dispenser of FIG. 1. The broken lines in the figures show structure or boundaries that are not part of the claimed design, but rather show the environment in which the design is associated, or show portions of the article in which the design is embodied or applied to that are not considered part of the claimed design.

1 Claim, 2 Drawing Sheets



US D644,322 S

Page 2

U.S. PATENT DOCUMENTS

4,141,474	A	2/1979	Nilson	
4,513,891	A	4/1985	Hain et al.	
4,639,248	A *	1/1987	Schweblin	604/187
D288,954	S	3/1987	McDermott et al.	
4,699,300	A	10/1987	Blake	
4,737,148	A	4/1988	Blake	
4,739,906	A	4/1988	LoTurco	
4,842,165	A	6/1989	Van Coney	
4,895,279	A	1/1990	Schultz	
4,923,480	A	5/1990	Monestere	
4,932,941	A *	6/1990	Min et al.	604/110
4,949,877	A	8/1990	Hanna et al.	
4,978,036	A	12/1990	Burd	
5,033,647	A	7/1991	Smith et al.	
5,083,416	A	1/1992	Schneider et al.	
5,108,007	A	4/1992	Smith et al.	
5,178,300	A	1/1993	Haviv et al.	
5,197,638	A	3/1993	Wood	
5,226,568	A	7/1993	Newton et al.	
5,257,726	A	11/1993	Graf et al.	
5,259,840	A *	11/1993	Boris	604/110
5,318,204	A	6/1994	Davis et al.	
5,320,256	A	6/1994	Wood	
5,320,845	A	6/1994	Py	
5,332,121	A	7/1994	Schmidt et al.	
5,339,972	A	8/1994	Crosnier et al.	
5,416,303	A	5/1995	Grooms et al.	
5,489,026	A	2/1996	D'Aloia	
5,489,027	A	2/1996	Goerigk	
5,497,910	A	3/1996	Meadows et al.	
D372,070	S	7/1996	Zak et al.	
5,556,678	A	9/1996	Jupin et al.	
5,564,596	A	10/1996	Meadows et al.	
5,582,330	A	12/1996	Iba	
5,609,273	A	3/1997	Firestone et al.	
5,664,704	A	9/1997	Meadows et al.	
5,692,651	A	12/1997	Fuchs	
5,718,334	A	2/1998	Demel	
5,722,955	A *	3/1998	Racz	604/121
5,727,892	A	3/1998	Baudin	
5,730,322	A	3/1998	Iba et al.	

5,743,441	A	4/1998	Baudin et al.	
5,759,218	A	6/1998	Martin et al.	
5,799,837	A	9/1998	Firestone et al.	
5,823,397	A	10/1998	Gil	
5,855,302	A	1/1999	Fisscher	
5,899,624	A	5/1999	Thompson	
5,921,989	A	7/1999	Deacon et al.	
5,934,500	A	8/1999	Cogger et al.	
6,050,444	A	4/2000	Sugg	
6,053,370	A	4/2000	Ludbrook et al.	
6,062,437	A	5/2000	Mascitelli	
6,083,450	A	7/2000	Safian	
6,145,707	A	11/2000	Baudin	
6,170,705	B1	1/2001	Schneider et al.	
6,202,901	B1	3/2001	Gerber et al.	
D442,670	S	5/2001	Maddox et al.	
6,254,579	B1	7/2001	Cogger et al.	
6,267,768	B1	7/2001	Deacon et al.	
6,283,976	B1	9/2001	Portney	
6,301,767	B1	10/2001	Granger et al.	
6,306,423	B1	10/2001	Donovan et al.	
D451,196	S	11/2001	Block et al.	
6,312,708	B1	11/2001	Donovan	
6,325,253	B1	12/2001	Robinson	
6,338,200	B1	1/2002	Baxa et al.	
6,351,924	B1	3/2002	Gustafsson et al.	
6,383,509	B1	5/2002	Donovan et al.	
6,386,395	B1	5/2002	Lunghetti	
6,428,545	B2	8/2002	Portney	
6,446,844	B1	9/2002	Gross	
6,450,994	B1	9/2002	Boyles et al.	
6,547,101	B1	4/2003	Sogaro	
6,613,024	B1 *	9/2003	Gargione	604/218
D540,908	S *	4/2007	Py et al.	D23/213
D588,693	S *	3/2009	Strong et al.	D24/129
D618,347	S *	6/2010	Bradshaw	D24/141
7,776,012	B2 *	8/2010	Felix-Faure	604/111
7,798,993	B2 *	9/2010	Lim et al.	604/110

FOREIGN PATENT DOCUMENTS

EP 0673852 B1 2/2000

* cited by examiner

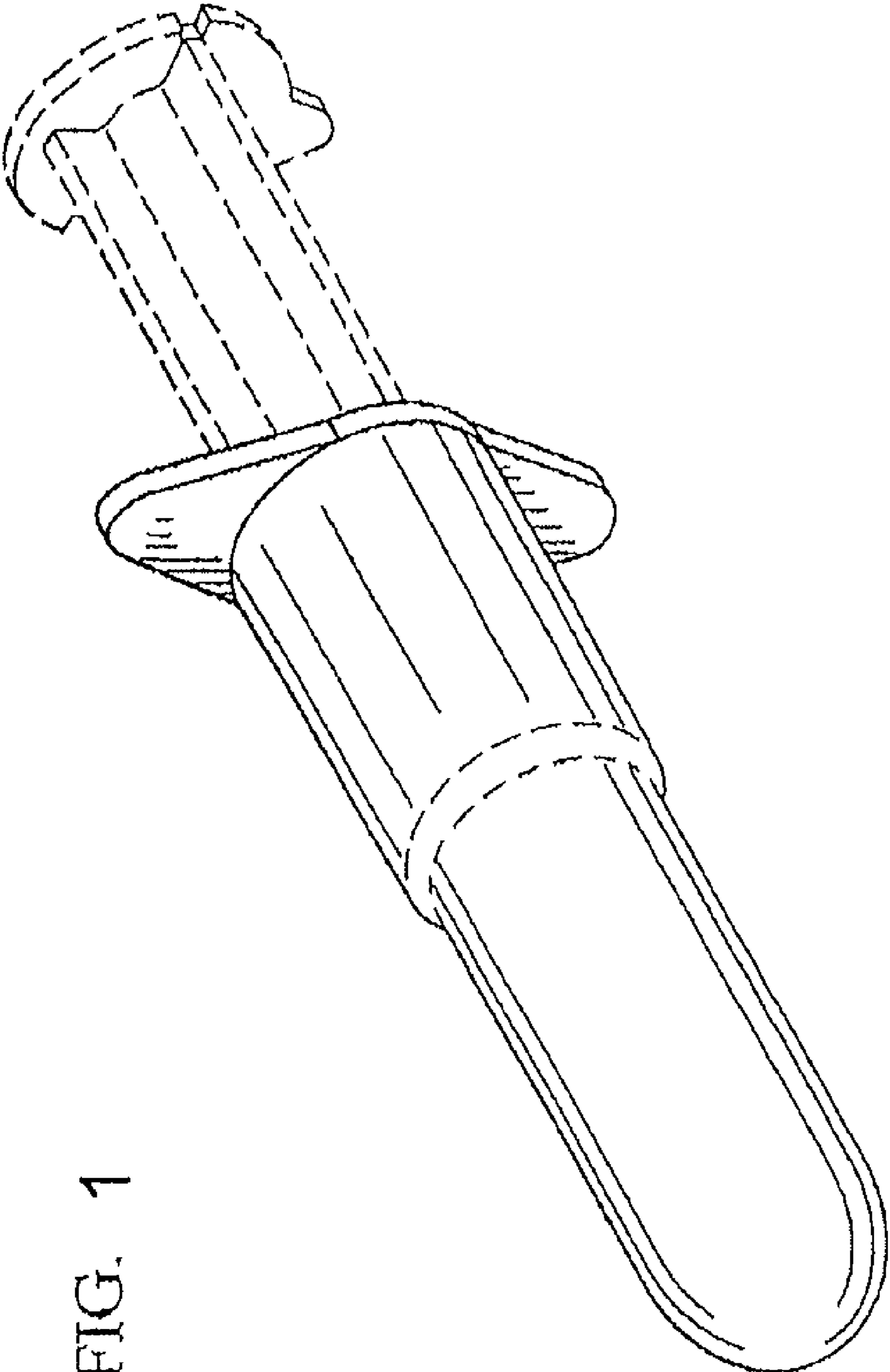


FIG. 1

FIG. 4

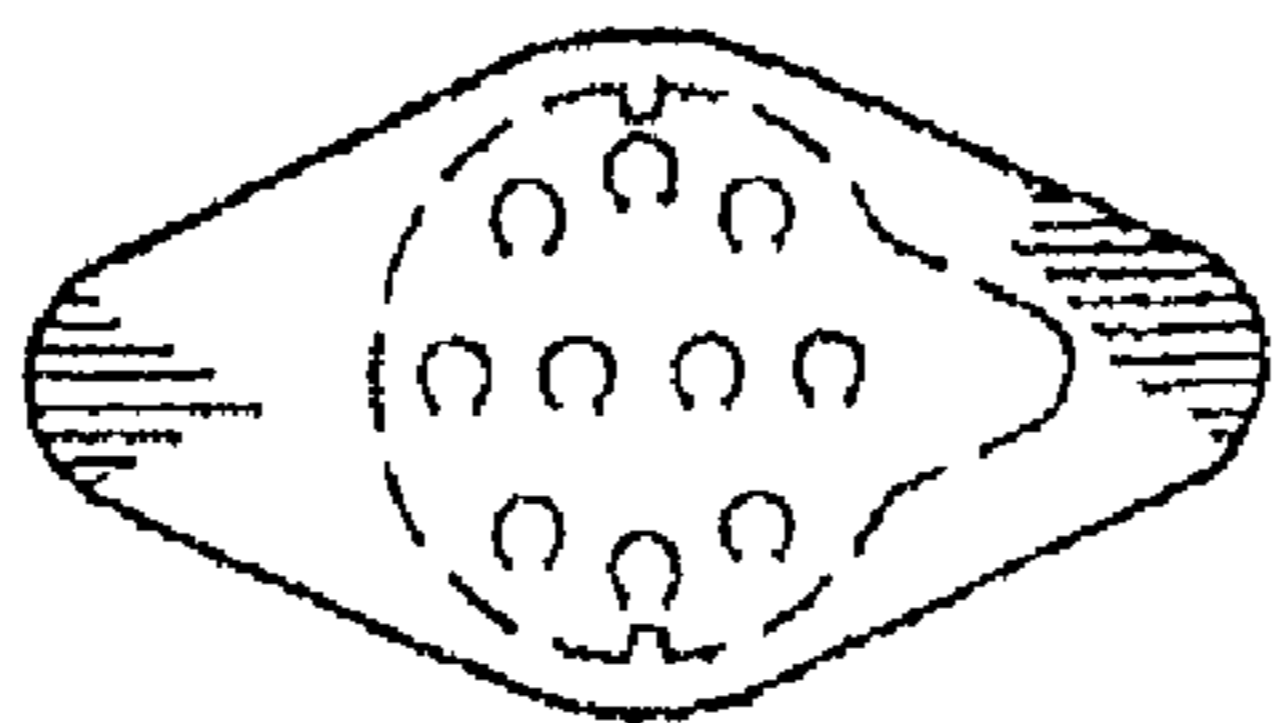


FIG. 3

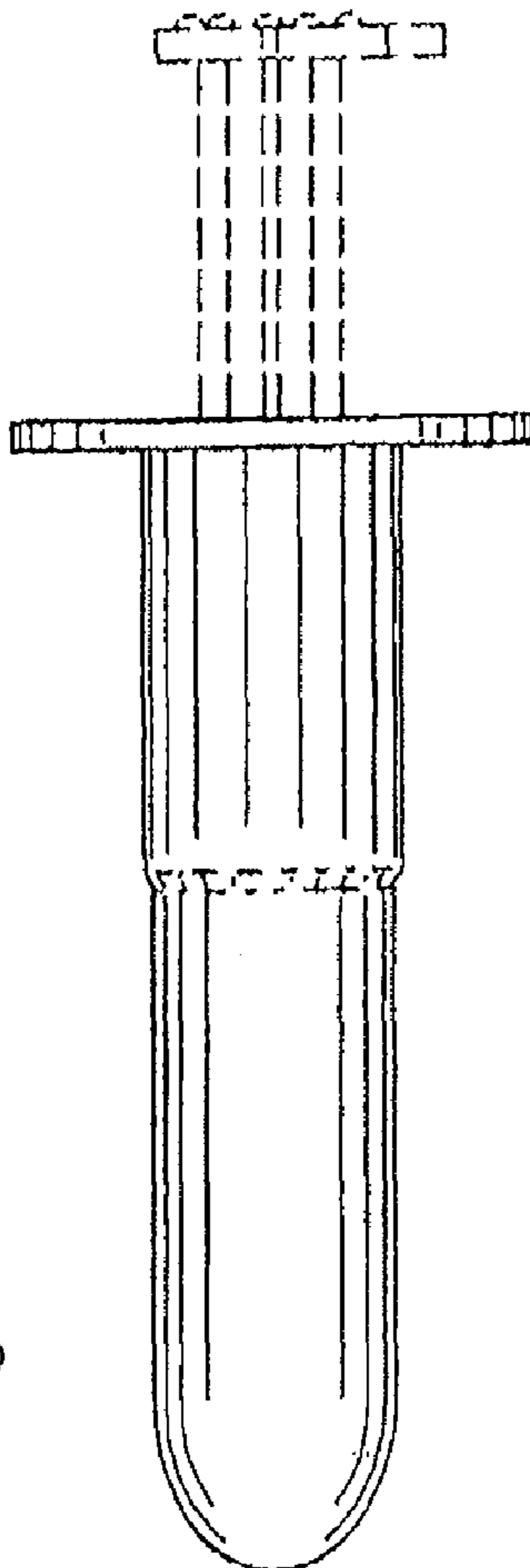


FIG. 2

