

US00D644319S

(12) **United States Design Patent**
Virr et al.

(10) **Patent No.:** **US D644,319 S**
(45) **Date of Patent:** **** Aug. 30, 2011**

(54) **HUMIDIFIER TUB**

(75) Inventors: **Alexander Virr**, Balmain (AU); **John Michael Snow**, Busselton (AU); **Mark Bertinetti**, Ermington (AU); **Dan Kao**, Northbridge (AU); **Hargopal Verma**, Parramatta (AU); **Richard Llewelyn Jones**, Hornsby Heights (AU); **Ernie Wei-Chih Tsai**, Mortdale (AU)

(73) Assignee: **Resmed Limited**, Bella Vista (AU)

(**) Term: **14 Years**

(21) Appl. No.: **29/371,456**

(22) Filed: **Mar. 4, 2011**

Related U.S. Application Data

(63) Continuation of application No. 29/347,382, filed on Dec. 18, 2009, now Pat. No. Des. 635,245.

(51) **LOC (9) Cl.** **29-02**

(52) **U.S. Cl.** **D24/110**

(58) **Field of Classification Search** D24/110, D24/164; D23/355-366, 352, 369, 332, D23/333, 335, 336, 342, 351; 128/200.24, 128/200.23, 200.22, 200.16, 200.14, 203.16, 128/203.17, 204.18, 204.23; 422/120, 122; 55/356, 473, 504, 312, 418; 96/97; D14/188, D14/170, 172; 261/DIG. 17, DIG. 65, DIG. 88, 261/DIG. 31; D32/31; D15/5

See application file for complete search history.

(56) **References Cited**

U.S. PATENT DOCUMENTS

D305,562 S	1/1990	Martinez	
D374,479 S	10/1996	Bucher et al.	
D377,212 S	1/1997	Moore	
D419,658 S	1/2000	Matchett et al.	
D427,675 S	7/2000	Hansel	
D468,011 S	12/2002	Lithgow et al.	
D492,759 S *	7/2004	Yoshida	D23/364
D493,520 S *	7/2004	Bertinetti et al.	D24/110

D498,527 S *	11/2004	Virr et al.	D24/110
D503,796 S *	4/2005	Lithgow et al.	D24/110
D517,672 S	3/2006	Schmitt et al.	
D525,991 S *	8/2006	Walters	D15/5
D529,514 S *	10/2006	Maeda et al.	D15/5
D548,750 S *	8/2007	Neeley et al.	D15/5
D553,228 S	10/2007	Virr et al.	
D557,407 S	12/2007	Lithgow et al.	
D561,891 S *	2/2008	Lithgow et al.	D24/110
D578,204 S *	10/2008	Lithgow et al.	D24/110
D585,459 S	1/2009	Jing	
D585,540 S	1/2009	Lithgow et al.	
D593,190 S	5/2009	Glass	
D605,273 S *	12/2009	Mallet-Roulon	D23/364
D612,480 S	3/2010	Cork et al.	

(Continued)

OTHER PUBLICATIONS

Virr et al., U.S. Appl. No. 29/347,381, filed Dec. 18, 2009.

(Continued)

Primary Examiner — David Muller

(74) *Attorney, Agent, or Firm* — Nixon & Vanderhye P.C.

(57) **CLAIM**

The ornamental design for a humidifier tub, as shown and described.

DESCRIPTION

FIG. 1 is a front perspective view of a humidifier tub for a respiratory apparatus according to an embodiment of our design;

FIG. 2 is a front view thereof;

FIG. 3 is a rear view thereof;

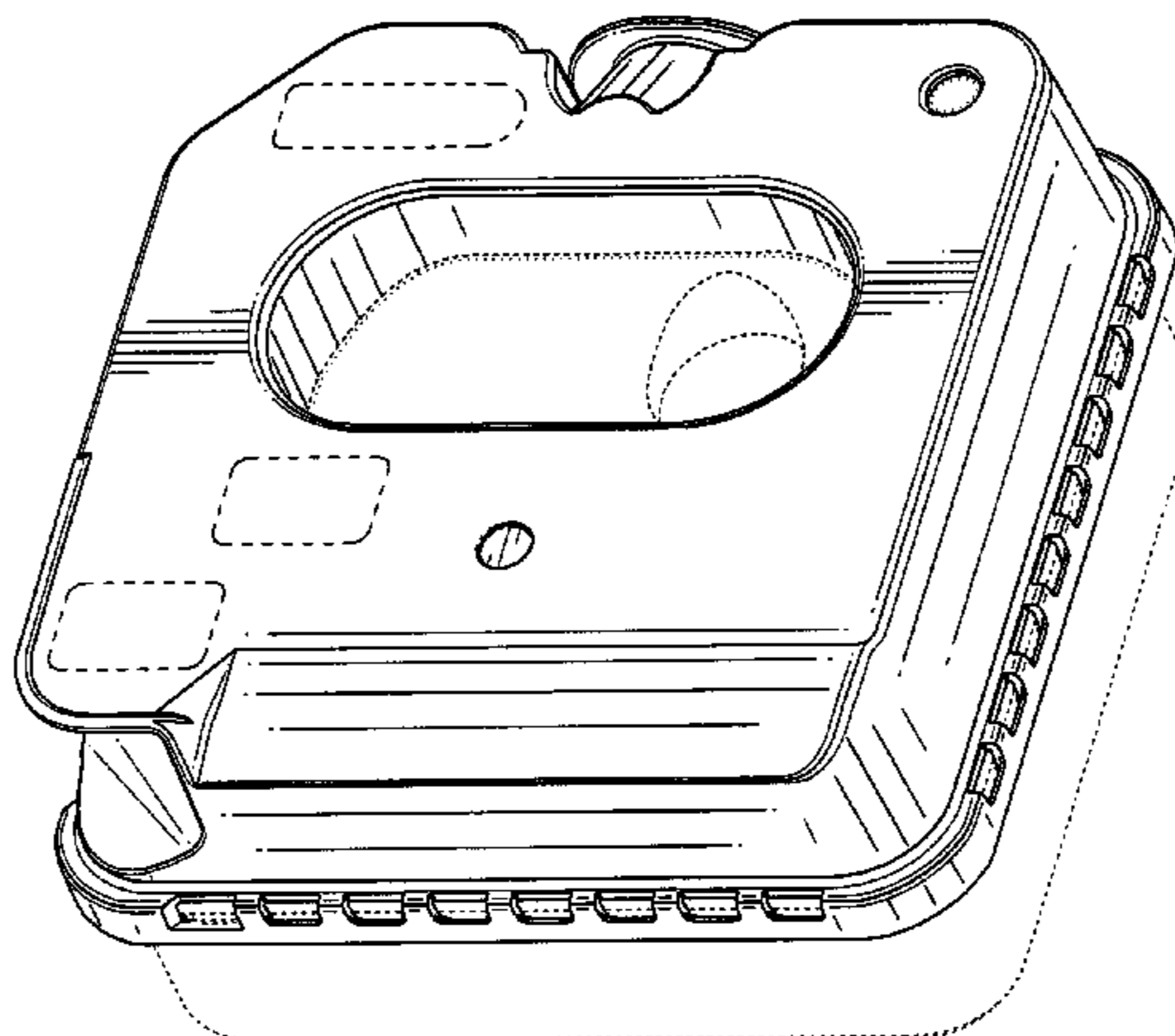
FIG. 4 is a top view thereof;

FIG. 5 is a left side view thereof; and,

FIG. 6 is a right side view thereof.

The broken lines of the humidifier tub represent environmental structure and do not form a part of the claimed design. The dotted lines represent the border between claimed and non-claimed subject matter and form no part of the claimed design.

1 Claim, 4 Drawing Sheets



US D644,319 S

Page 2

U.S. PATENT DOCUMENTS

D626,642 S 11/2010 Virr et al.
D627,044 S 11/2010 Virr et al.
D630,310 S * 1/2011 Beland et al. D23/356
2003/0029143 A1* 2/2003 Arden et al. 55/312
2003/0029145 A1* 2/2003 Sudoh 55/418

OTHER PUBLICATIONS

Virr et al., Parent U.S. Appl. No. 29/347,382, filed Dec. 18, 2009.

* cited by examiner

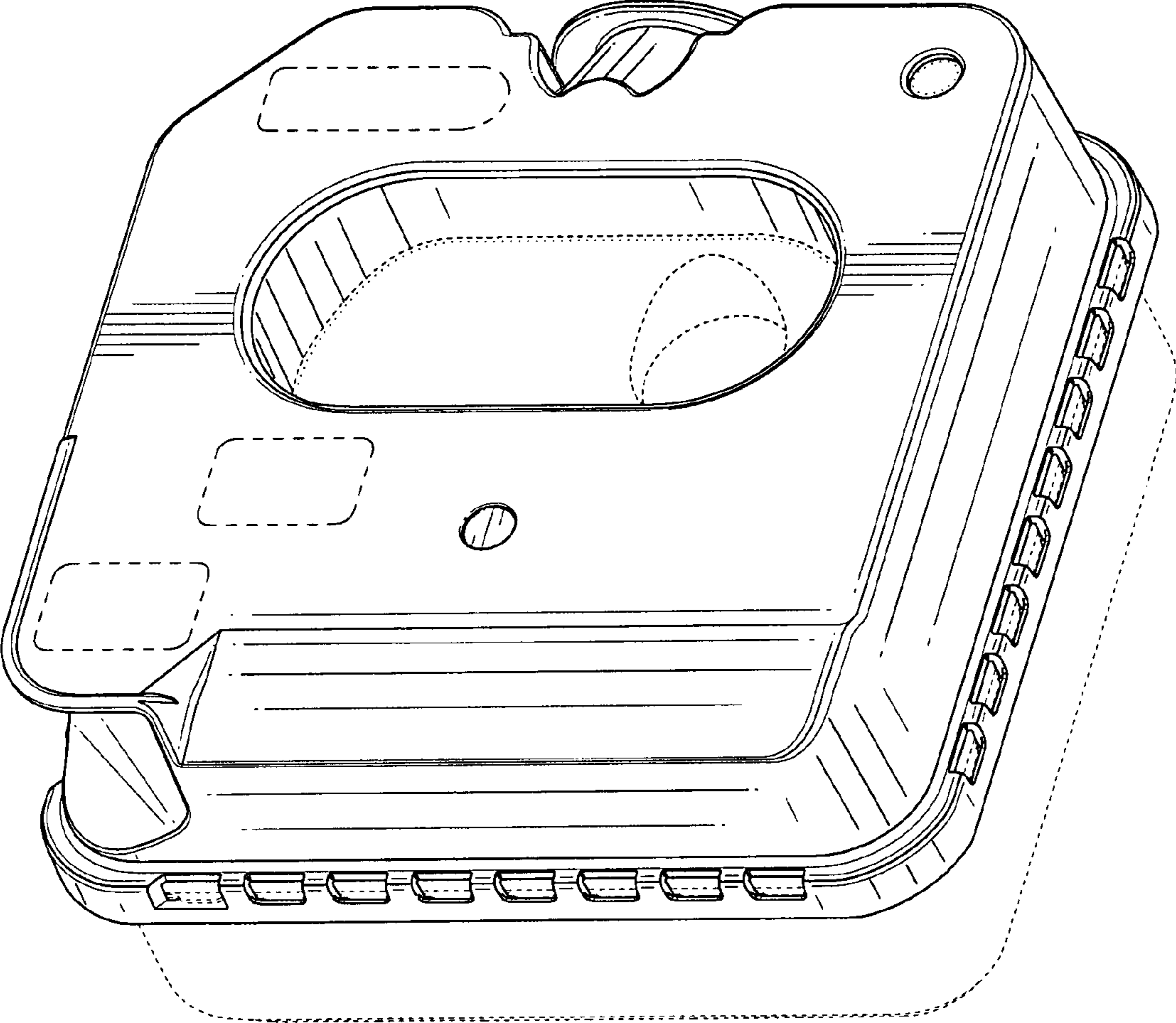


Figure 1

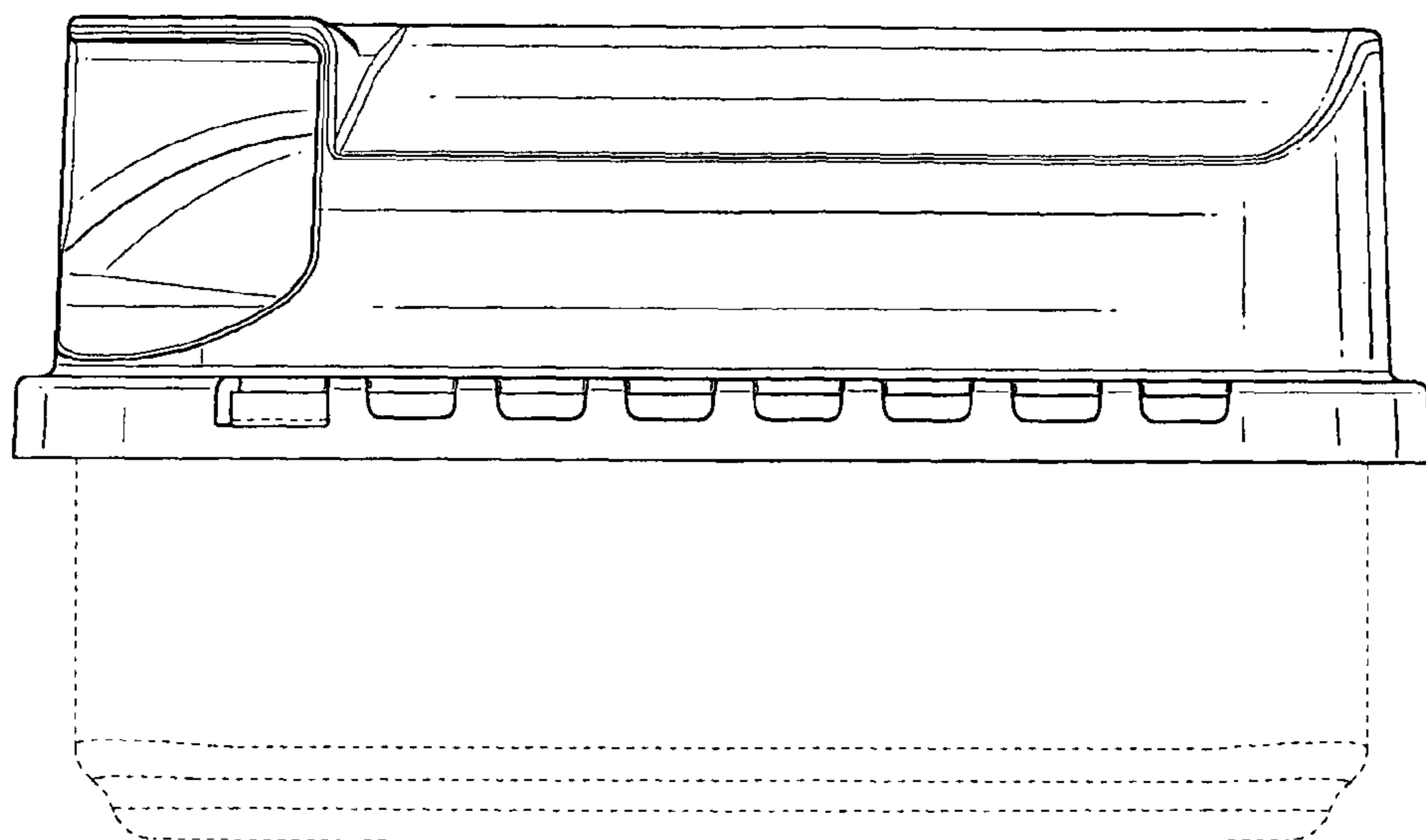


Figure 2

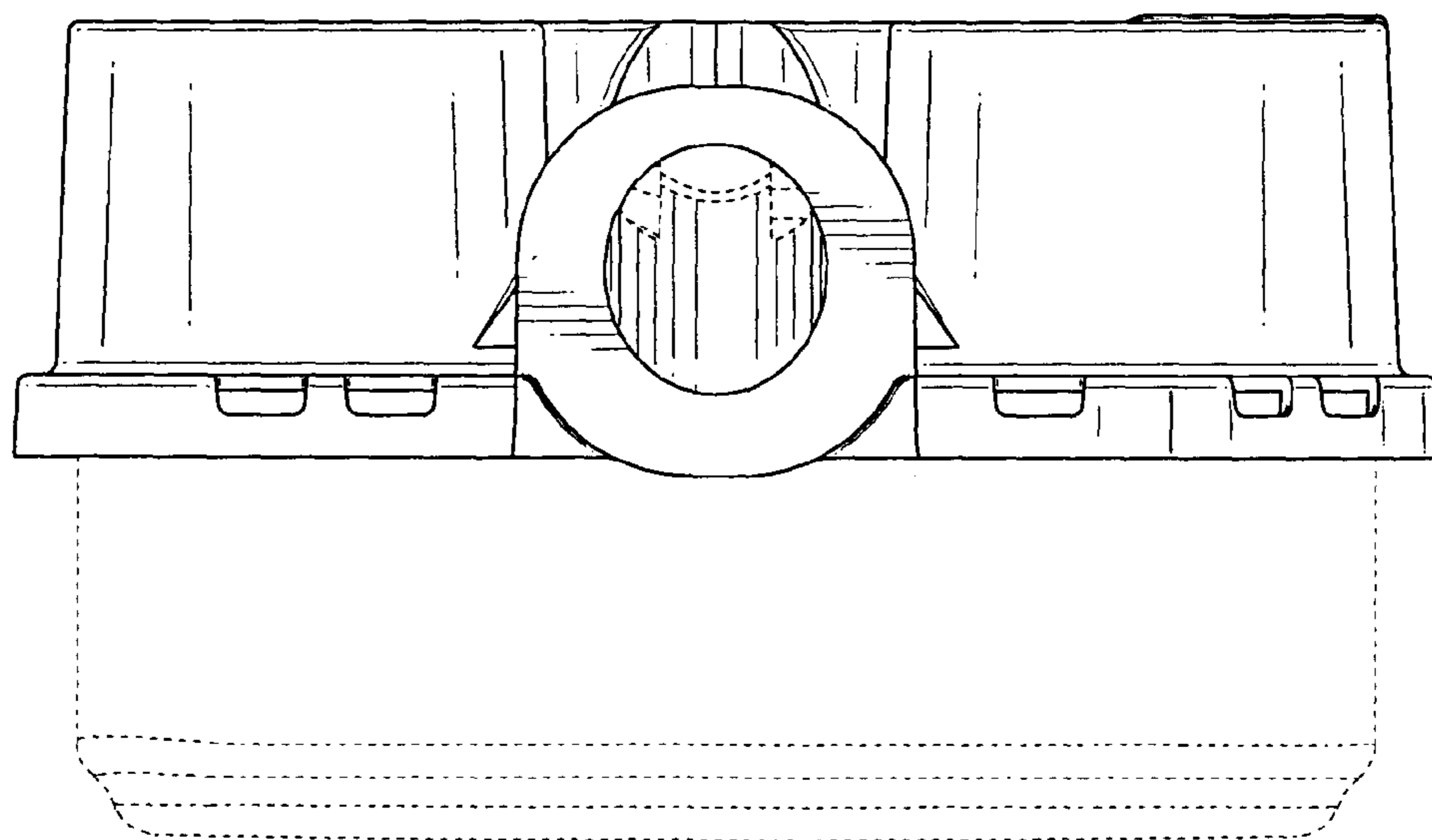


Figure 3

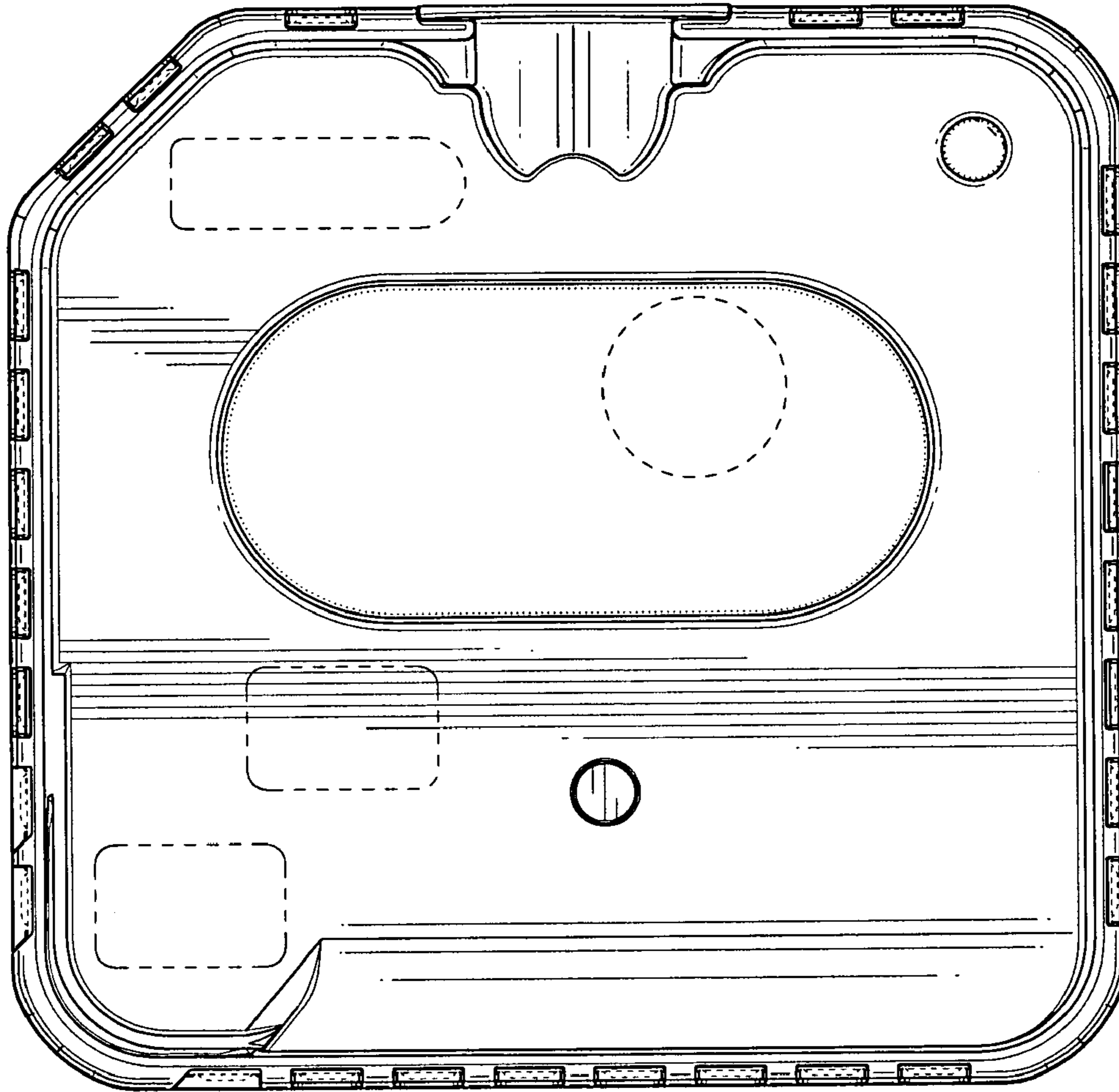


Figure 4

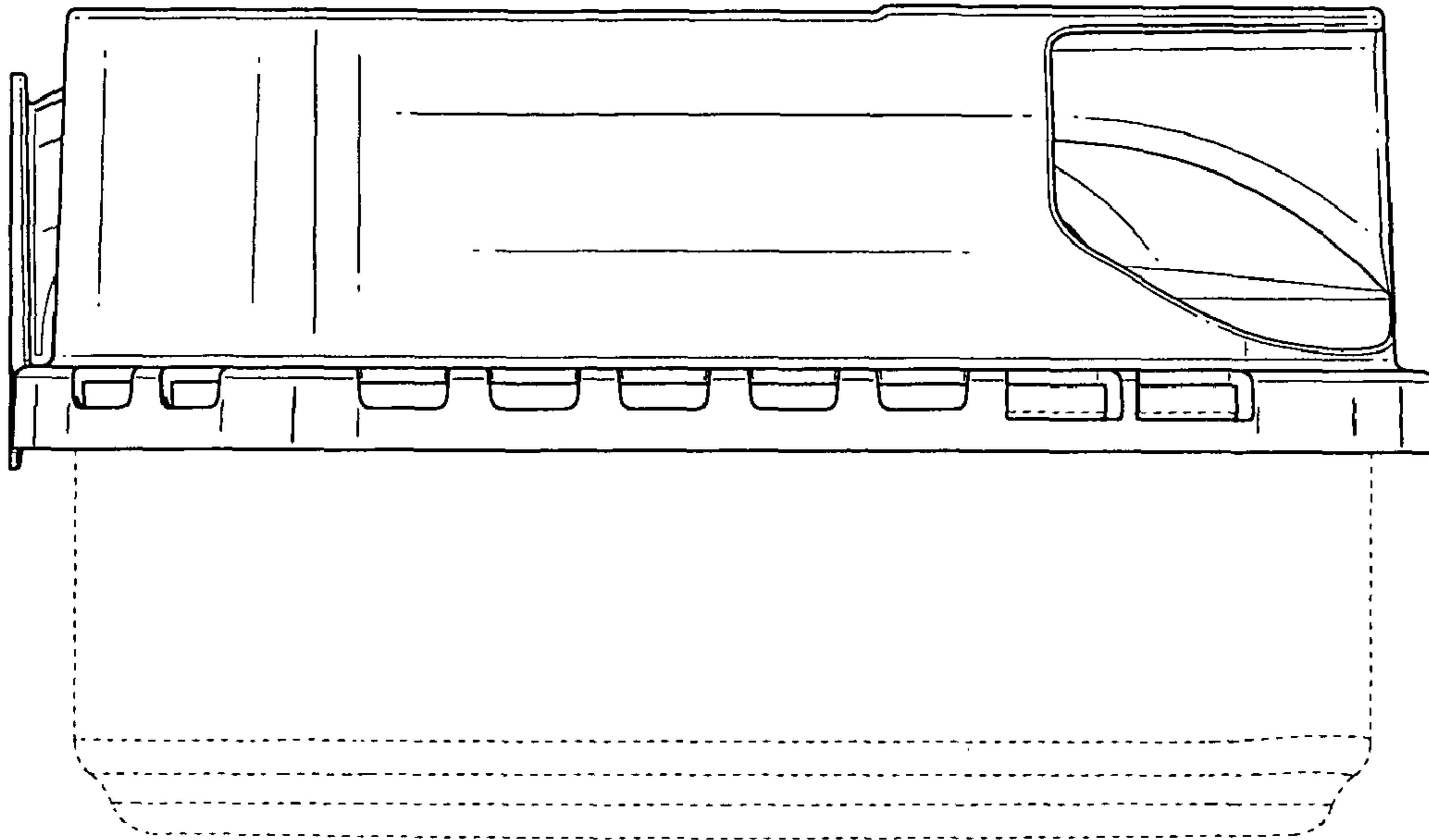


Figure 5

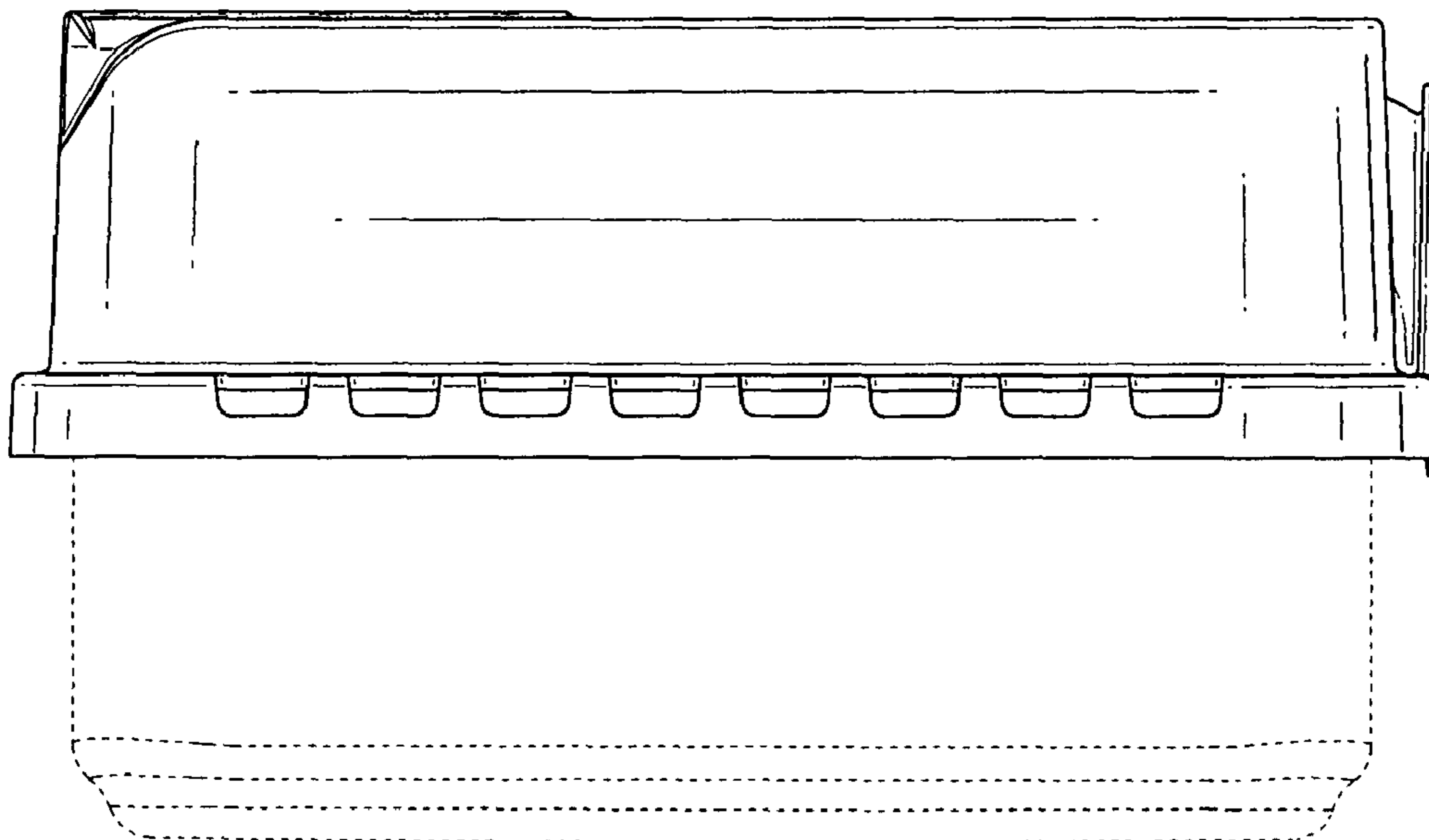


Figure 6