



US00D644317S

(12) **United States Design Patent**  
**Tsao**

(10) **Patent No.:** **US D644,317 S**

(45) **Date of Patent:** **\*\* Aug. 30, 2011**

(54) **COVER FOR SUCKING BOTTLE**

(75) Inventor: **Yu-Yao Tsao**, Taipei Hsien (TW)

(73) Assignee: **CW Medical (Taiwan) Inc.**, Taipei County (TW)

(\*\*) Term: **14 Years**

(21) Appl. No.: **29/345,307**

(22) Filed: **Oct. 14, 2009**

(51) **LOC (9) Cl.** ..... **24-01**

(52) **U.S. Cl.** ..... **D24/108; D24/117; D24/121**

(58) **Field of Classification Search** ..... D24/108,  
D24/117, 121, 129, 224, 227, 231-232, 132,  
D24/195, 199; D7/317, 510, 511; D9/434-435,  
D9/440, 445, 447, 449; 220/200, 203.04,  
220/203.07, 203.09, 203.22, 516, 791, 793;  
604/19, 27, 29, 317, 319, 320; 215/200,  
215/216, 224, 246

See application file for complete search history.

(56) **References Cited**

**U.S. PATENT DOCUMENTS**

3,620,408	A *	11/1971	Holbrook et al.	220/202
3,834,386	A *	9/1974	Sisley	D24/117
3,913,780	A *	10/1975	Holbrook et al.	220/200
4,013,076	A *	3/1977	Puderbaugh et al.	604/320
4,347,946	A *	9/1982	Nichols	604/319
D267,269	S *	12/1982	Jukes	D24/232
4,379,455	A *	4/1983	Deaton	604/320
4,455,140	A *	6/1984	Joslin	604/317
D288,129	S *	2/1987	Taylor	D24/117
4,681,571	A *	7/1987	Nehring	604/320
D322,124	S *	12/1991	Lichte et al.	D24/117

5,165,581	A *	11/1992	Uhl	222/480
D343,451	S *	1/1994	Voychehovski	D24/121
D372,102	S *	7/1996	Peacock et al.	D24/224
5,637,104	A *	6/1997	Ball et al.	604/319
5,665,080	A *	9/1997	Vandenberg	604/319
7,806,879	B2 *	10/2010	Brooks et al.	604/319
2008/0015526	A1 *	1/2008	Reiner et al.	604/320
2009/0247968	A1 *	10/2009	Brooks et al.	604/319

\* cited by examiner

*Primary Examiner* — Ian Simmons

*Assistant Examiner* — Wan Laymon

(74) *Attorney, Agent, or Firm* — Leong C. Lei

(57) **CLAIM**

The ornamental design for a cover for sucking bottle, as shown and described.

**DESCRIPTION**

FIG. 1 is a perspective view of a cover for sucking bottle showing my new design

FIG. 2 is a front elevational view thereof

FIG. 3 is a rear elevational view thereof.

FIG. 4 is a left side view thereof

FIG. 5 is a right side view thereof

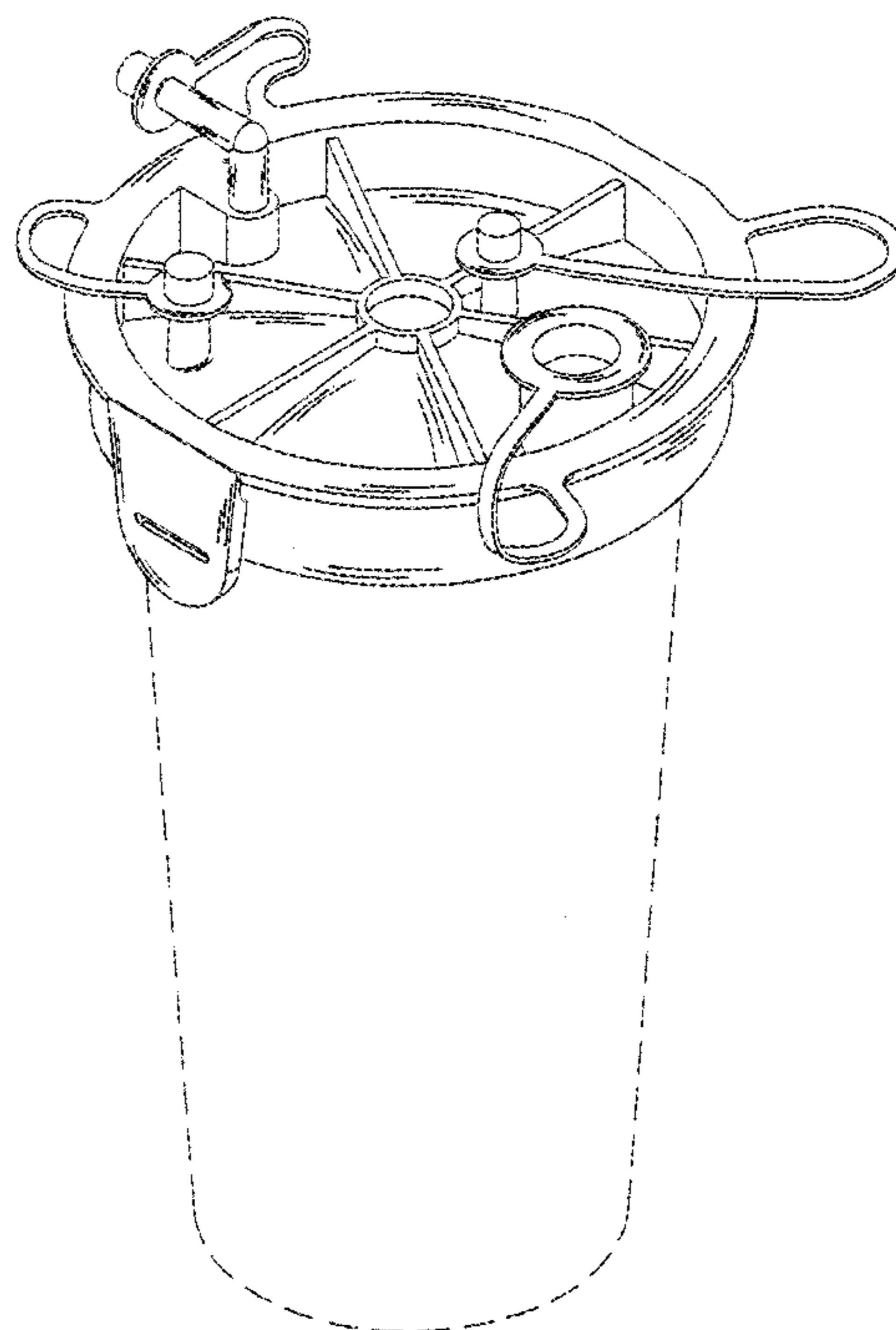
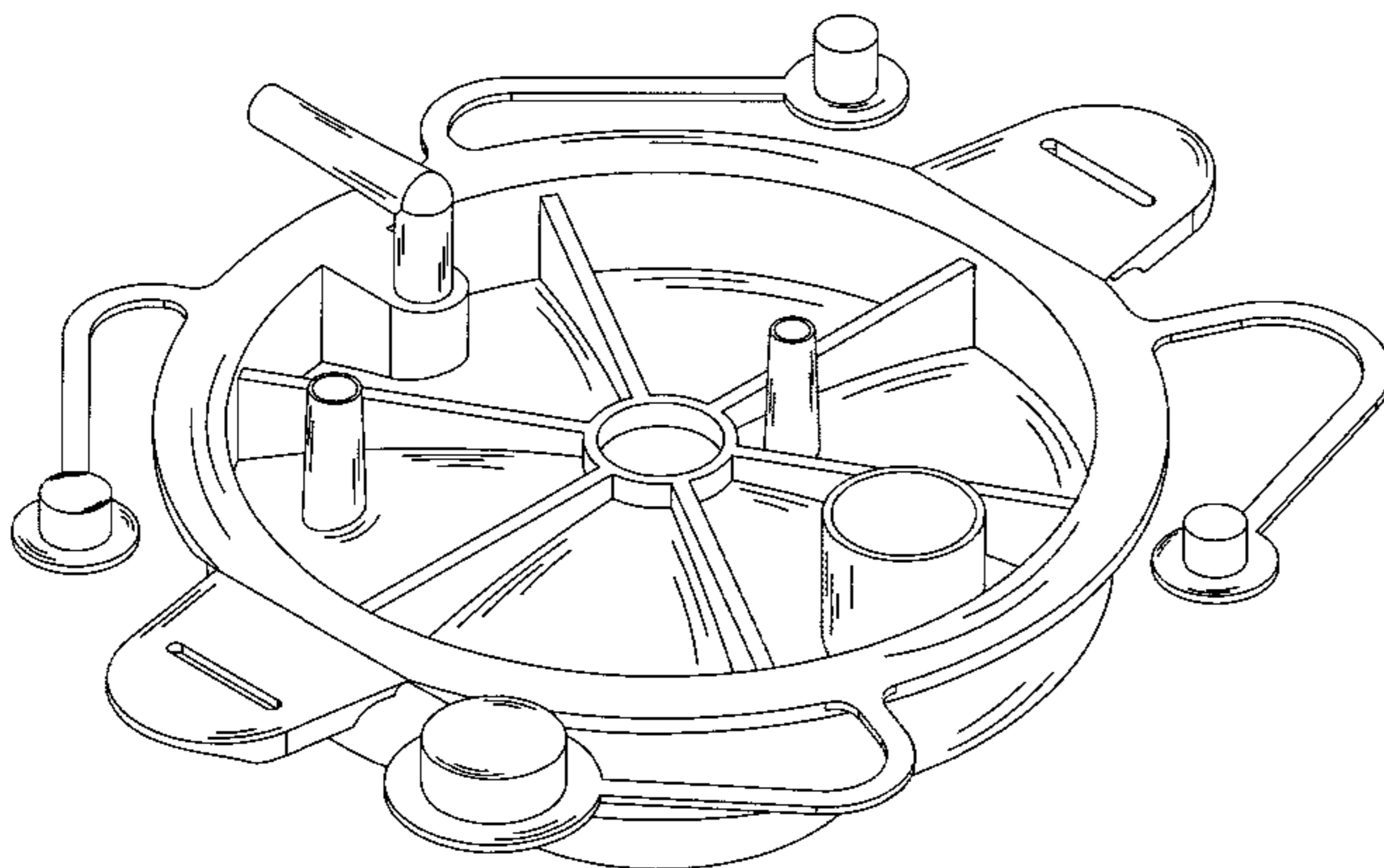
FIG. 6 is a top plan view thereof

FIG. 7 is a bottom plan view thereof; and,

FIG. 8 is a perspective view of the present invention with the caps enclosed to the ports, the long dashes and short dashes showing the canister of the cover for sucking bottle are included for illustrating environmental structure and from no part of the claimed design.

The broken lines shown in FIGS. 3, 5 and 7 are included for illustrating environmental structure and form no part of the claimed design.

**1 Claim, 8 Drawing Sheets**



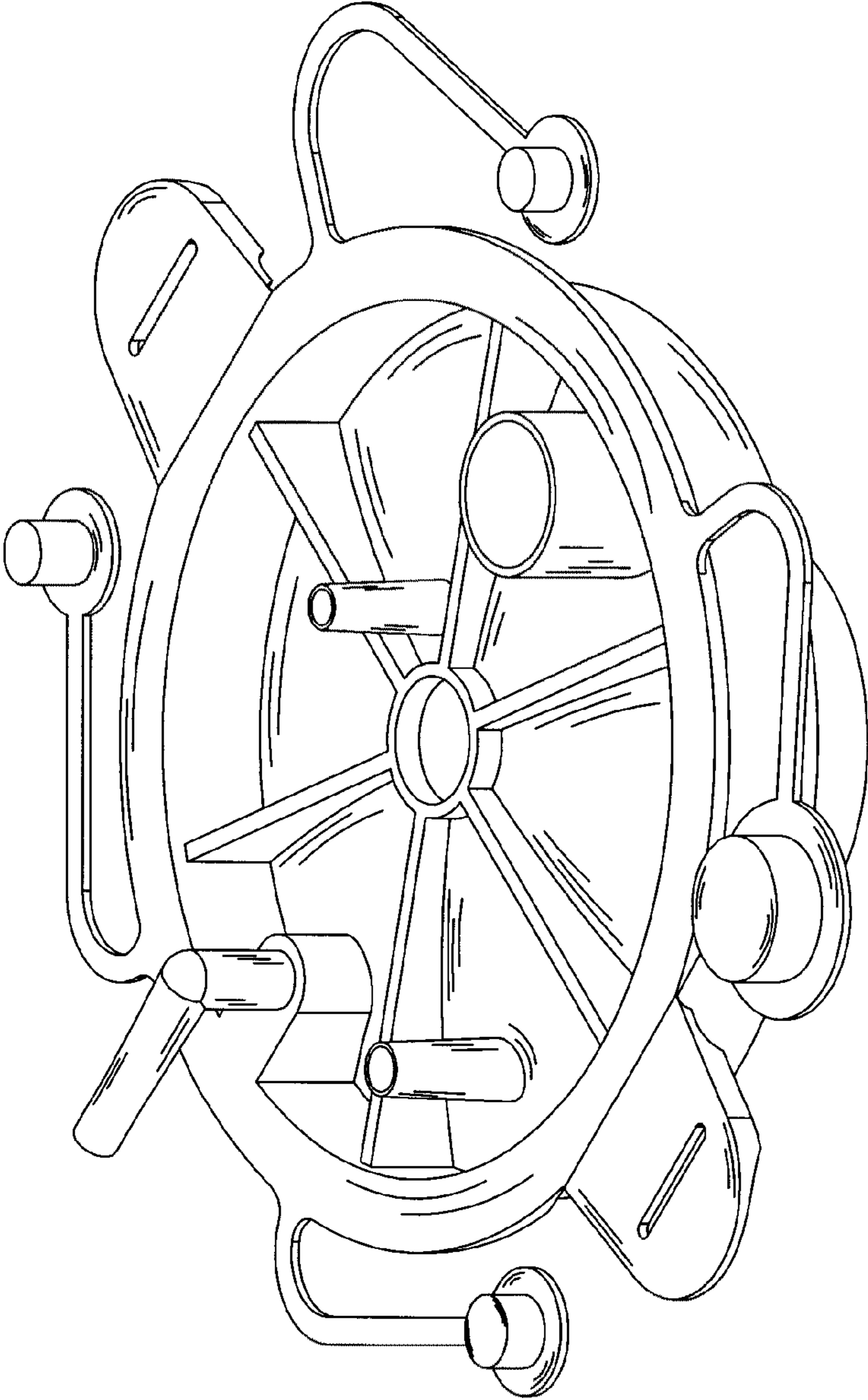


Fig. 1

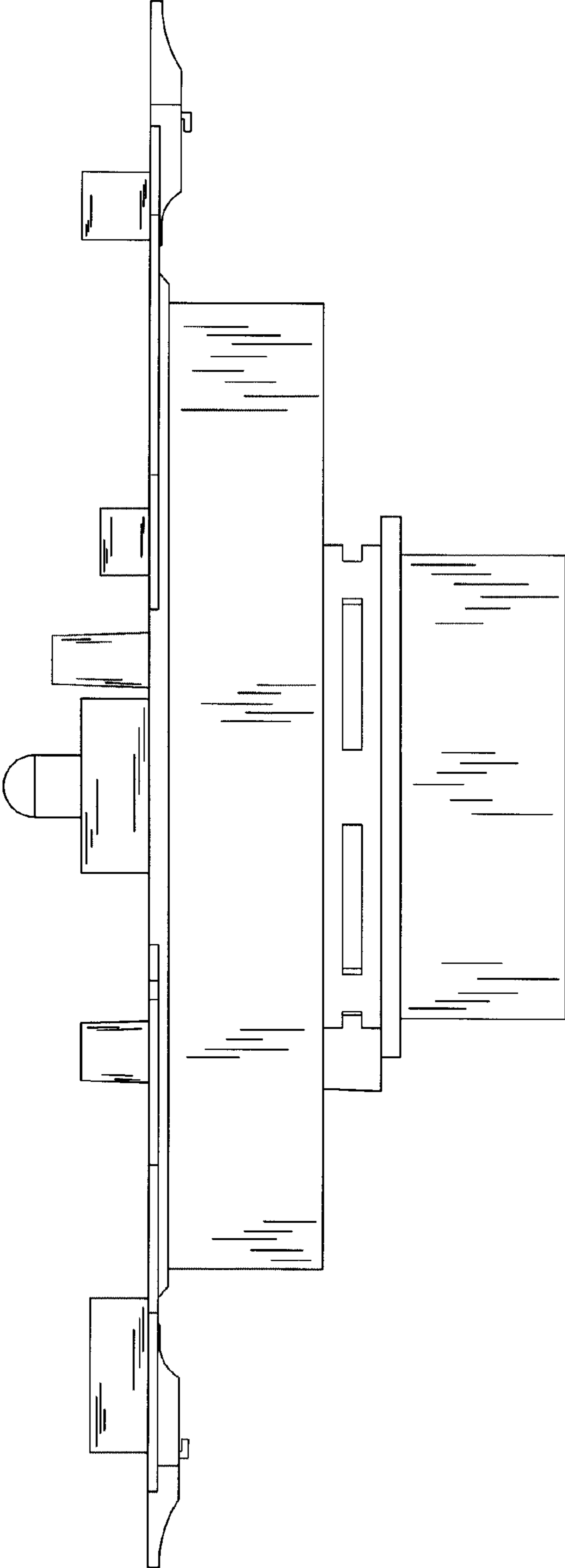


Fig. 2

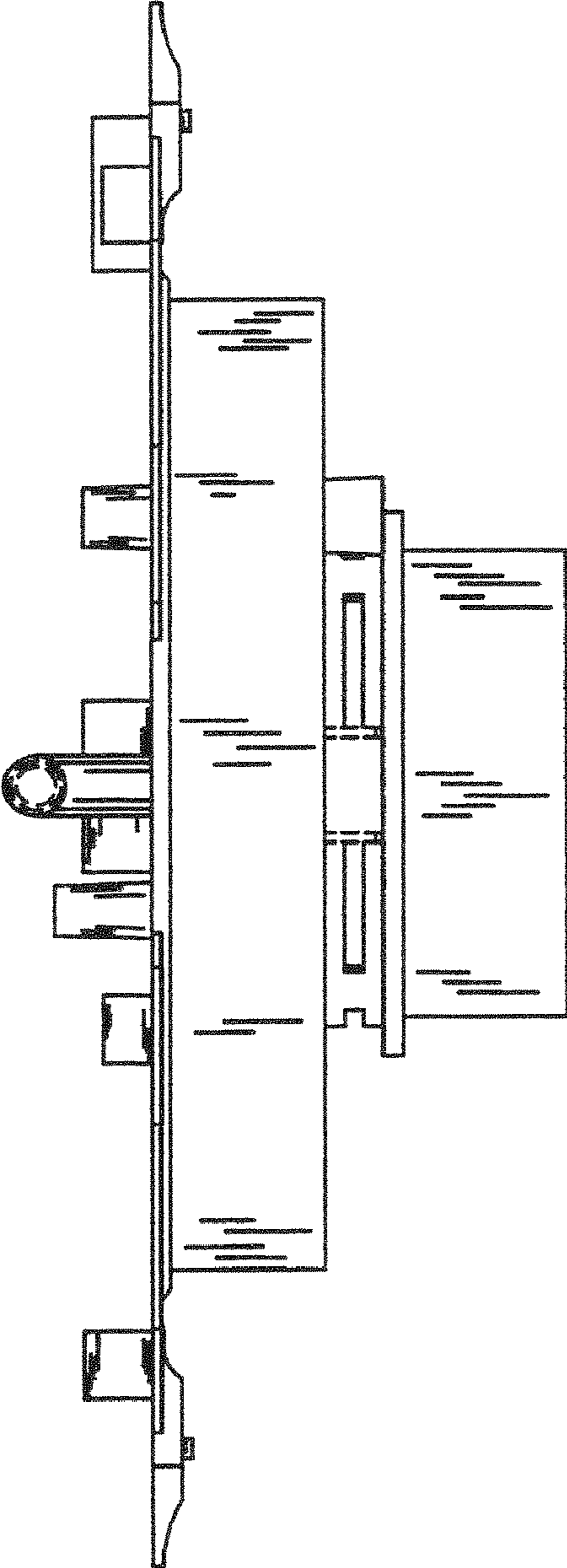


Fig. 3

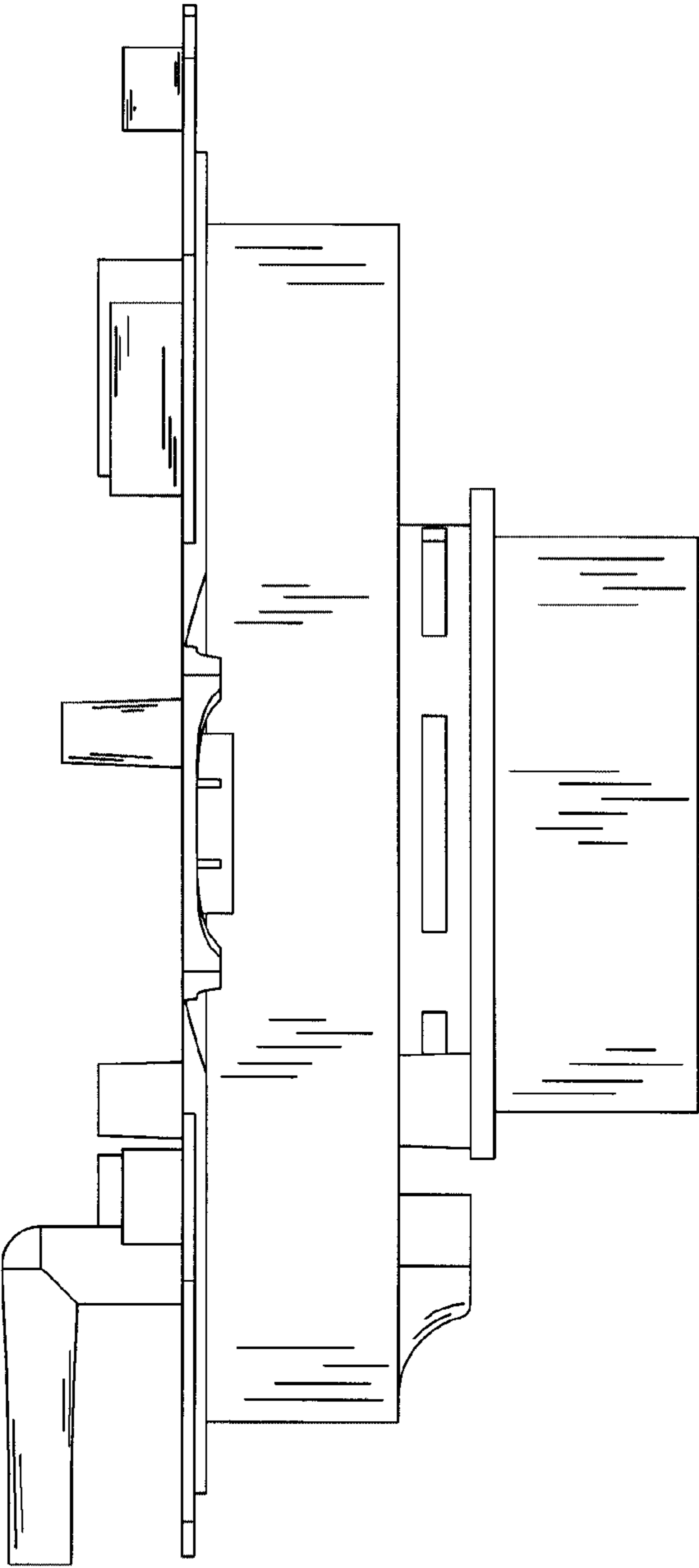


Fig. 4

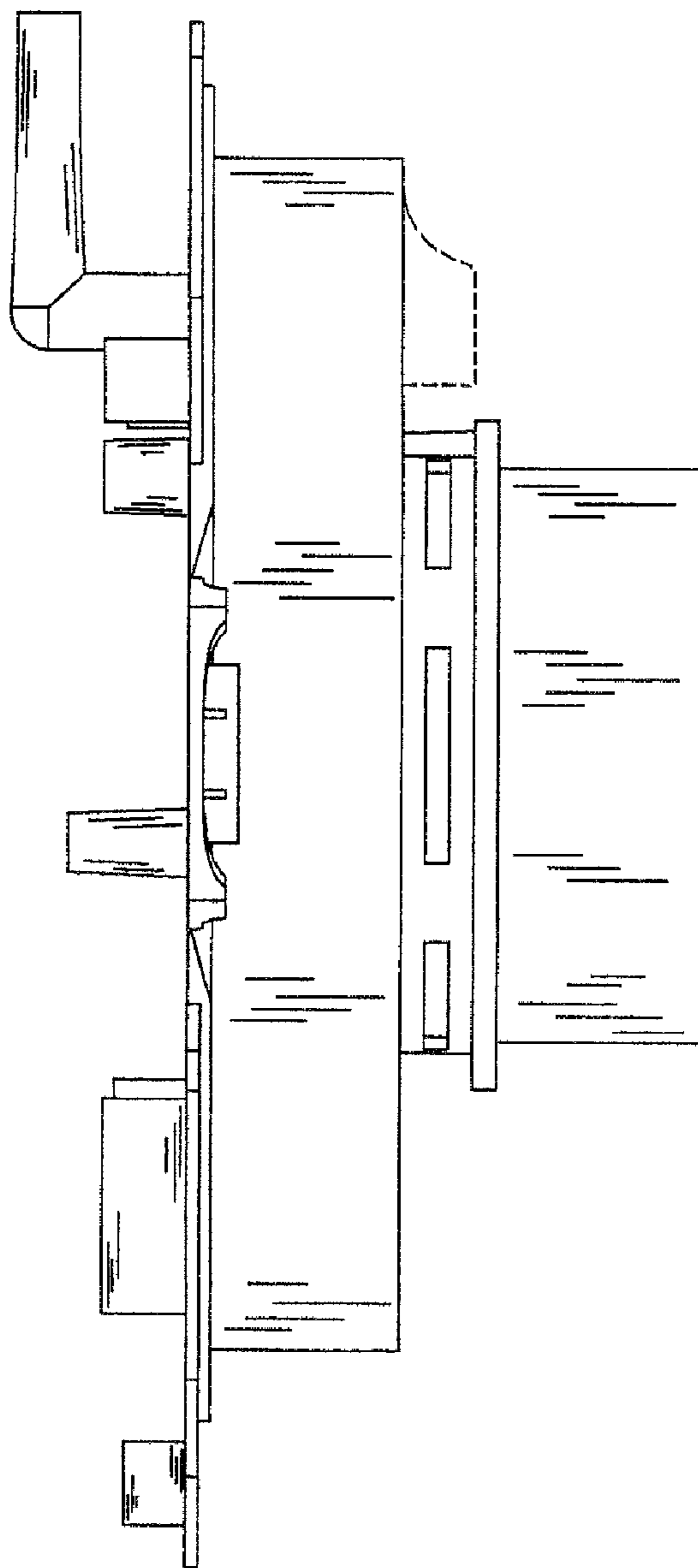


Fig. 5

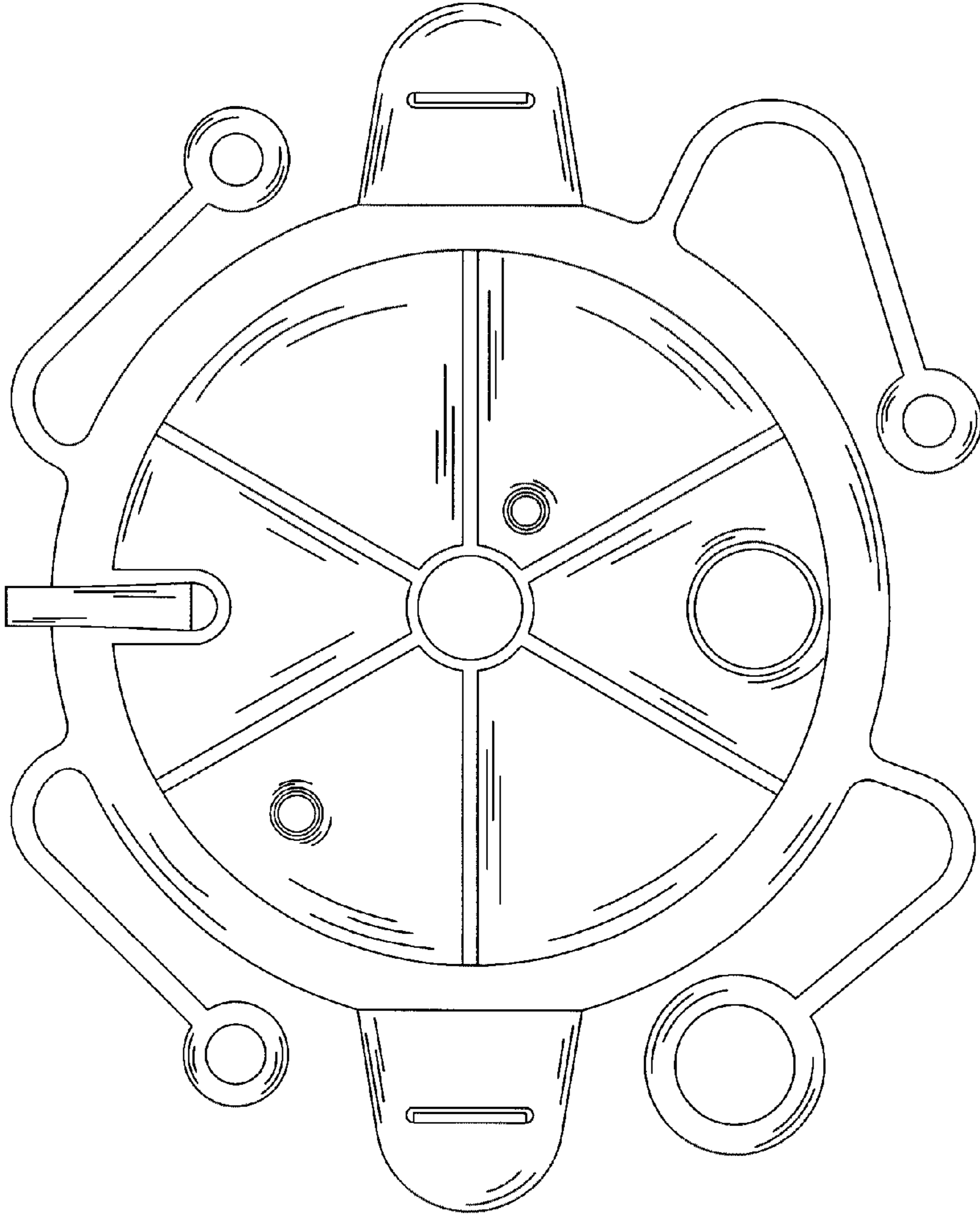


Fig. 6

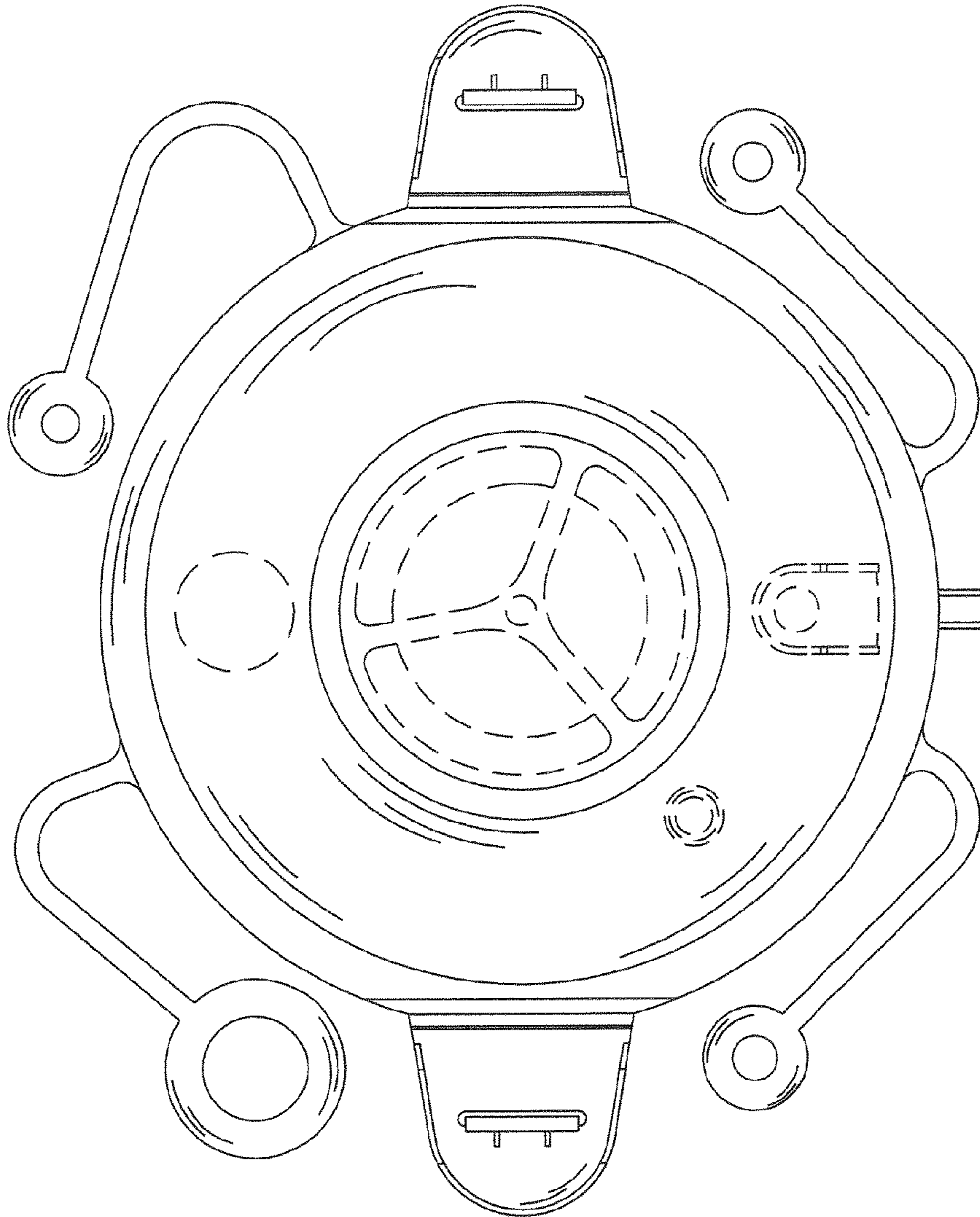


Fig. 7



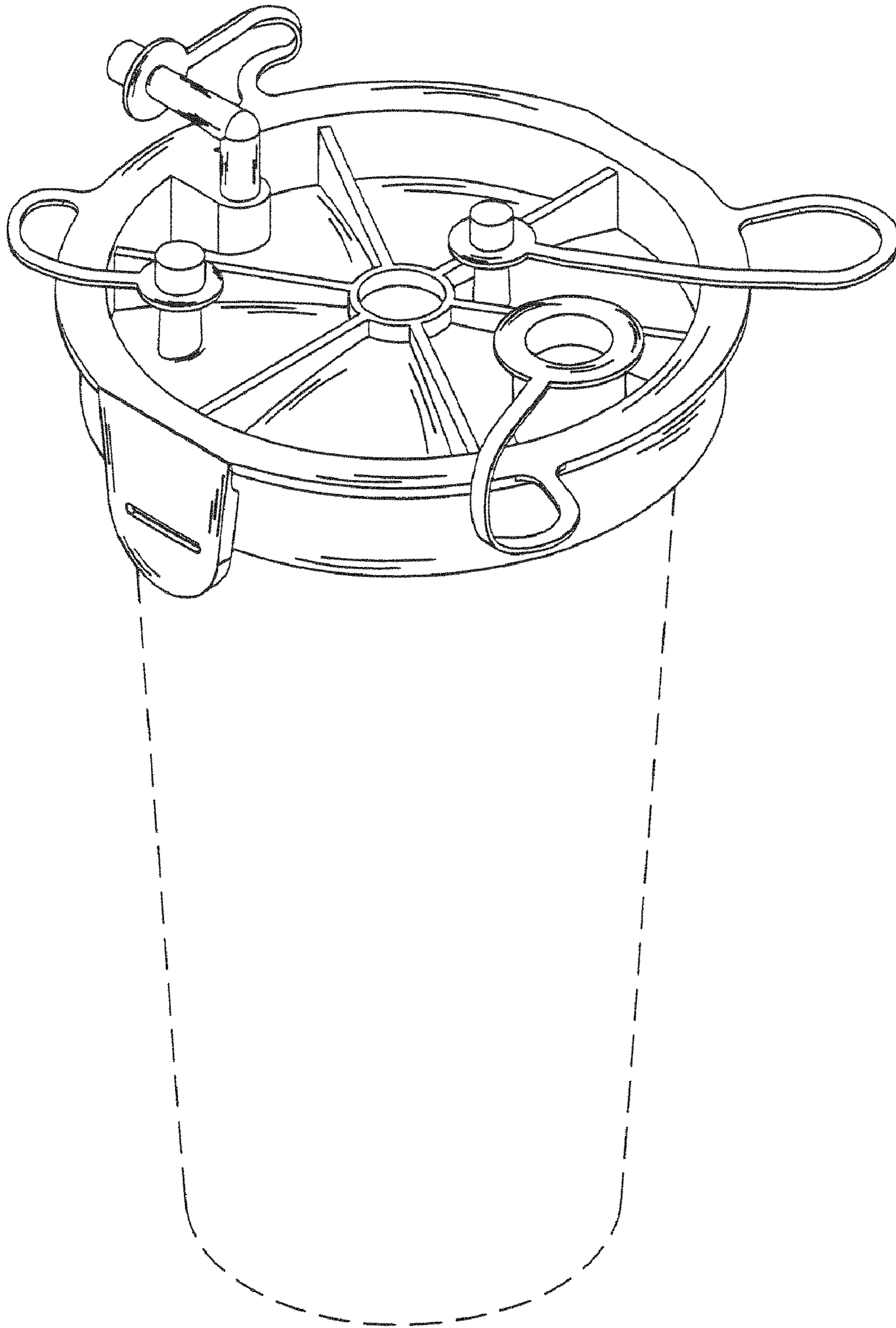


Fig. 8