



US00D644316S

(12) **United States Design Patent**
Spaggiari

(10) **Patent No.:** **US D644,316 S**

(45) **Date of Patent:** **** Aug. 30, 2011**

(54) **BLADE OF AN AXIAL FAN**

(75) Inventor: **Alessandro Spaggiari**, Correggio (IT)

(73) Assignee: **Spal Automotive S.r.l.**, Correggio (IT)

(**) Term: **14 Years**

(21) Appl. No.: **29/361,498**

(22) Filed: **May 12, 2010**

(30) **Foreign Application Priority Data**

Nov. 19, 2009 (EM) 001637984-001/002

(51) **LOC (9) Cl.** **23-04**

(52) **U.S. Cl.** **D23/413**

(58) **Field of Classification Search** D23/377,
D23/379, 385, 411, 413; 416/196 R, 236 R,
416/236 A

See application file for complete search history.

(56) **References Cited**

U.S. PATENT DOCUMENTS

| | | | | |
|---------------|--------|---------------|-------|-----------|
| D297,761 S * | 9/1988 | Shiraki | | D23/379 |
| 5,320,493 A * | 6/1994 | Shih et al. | | 416/223 R |
| D539,413 S * | 3/2007 | Parker et al. | | D23/411 |
| D633,195 S * | 2/2011 | Stagg | | D23/413 |

* cited by examiner

Primary Examiner — Lisa Lichtenstein

(74) *Attorney, Agent, or Firm* — Pearne & Gordon LLP

(57) **CLAIM**

The ornamental design for a blade of an axial fan, as shown and described.

DESCRIPTION

FIG. 1 is a perspective view of a blade of an axial fan, showing my new design;
FIG. 2 is a top view thereof;
FIG. 3 is a front view thereof;
FIG. 4 is a rear view thereof;
FIG. 5 is a right-side view thereof;
FIG. 6 is a left-side view thereof; and,
FIG. 7 is a bottom view thereof.

1 Claim, 3 Drawing Sheets

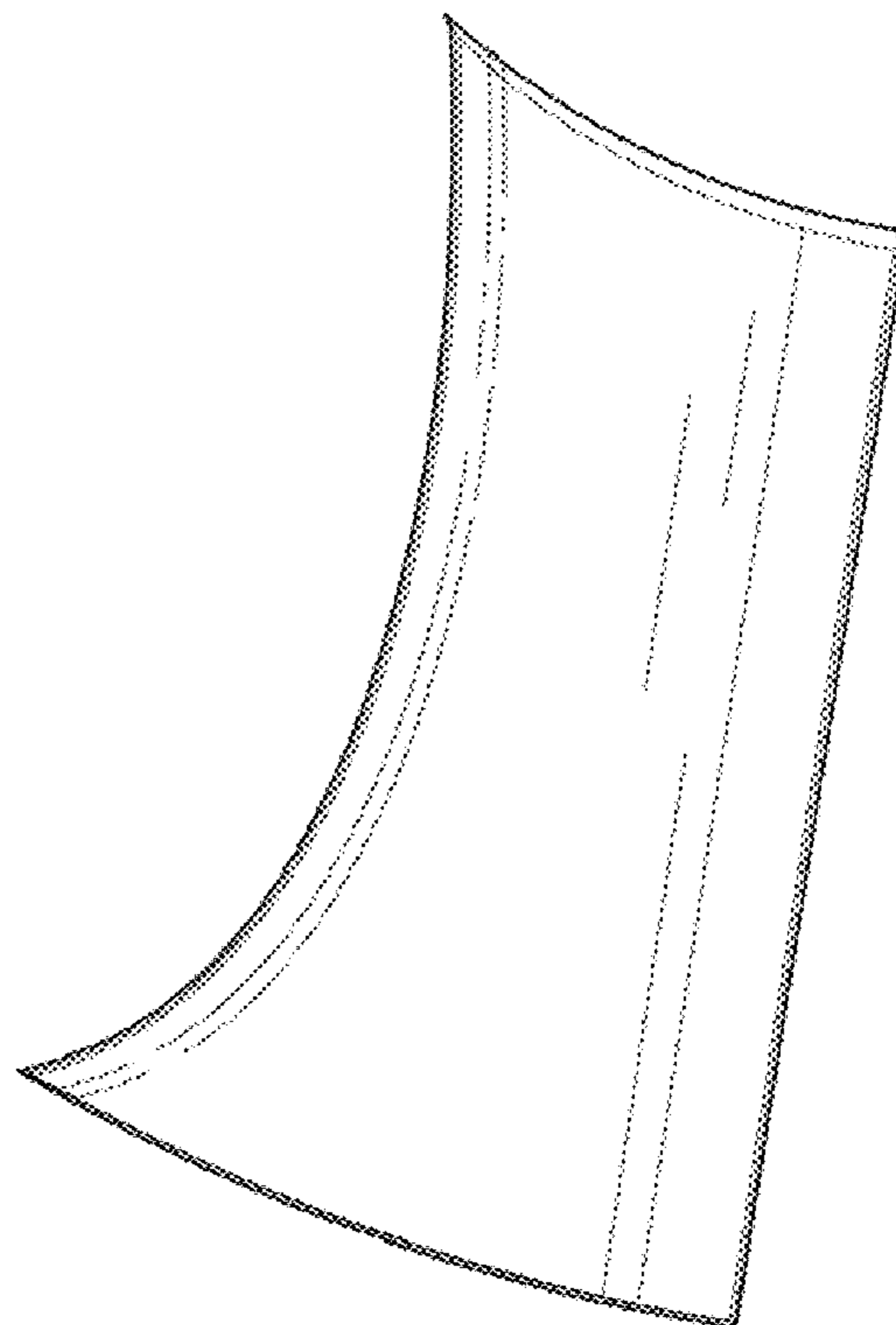
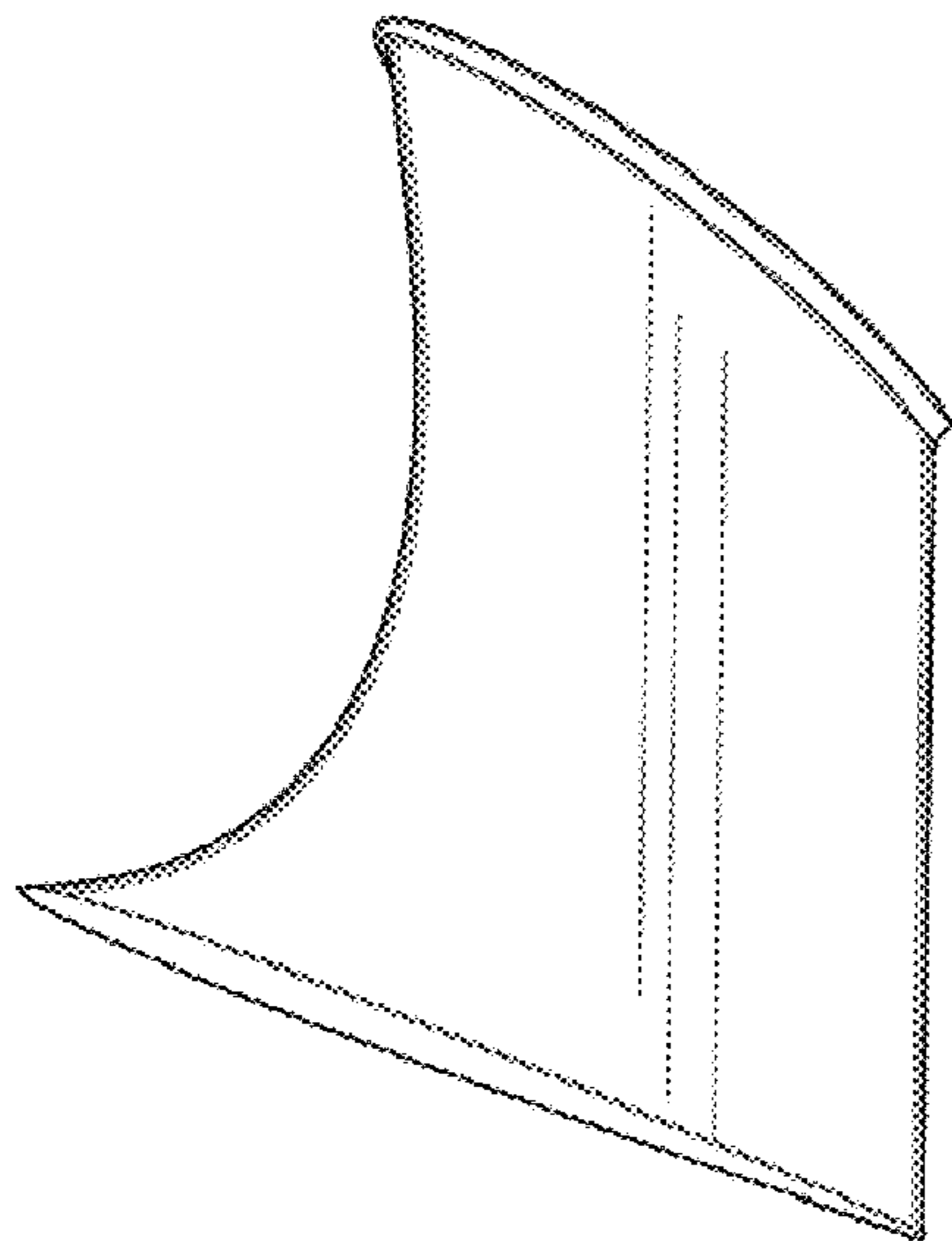


FIG. 1

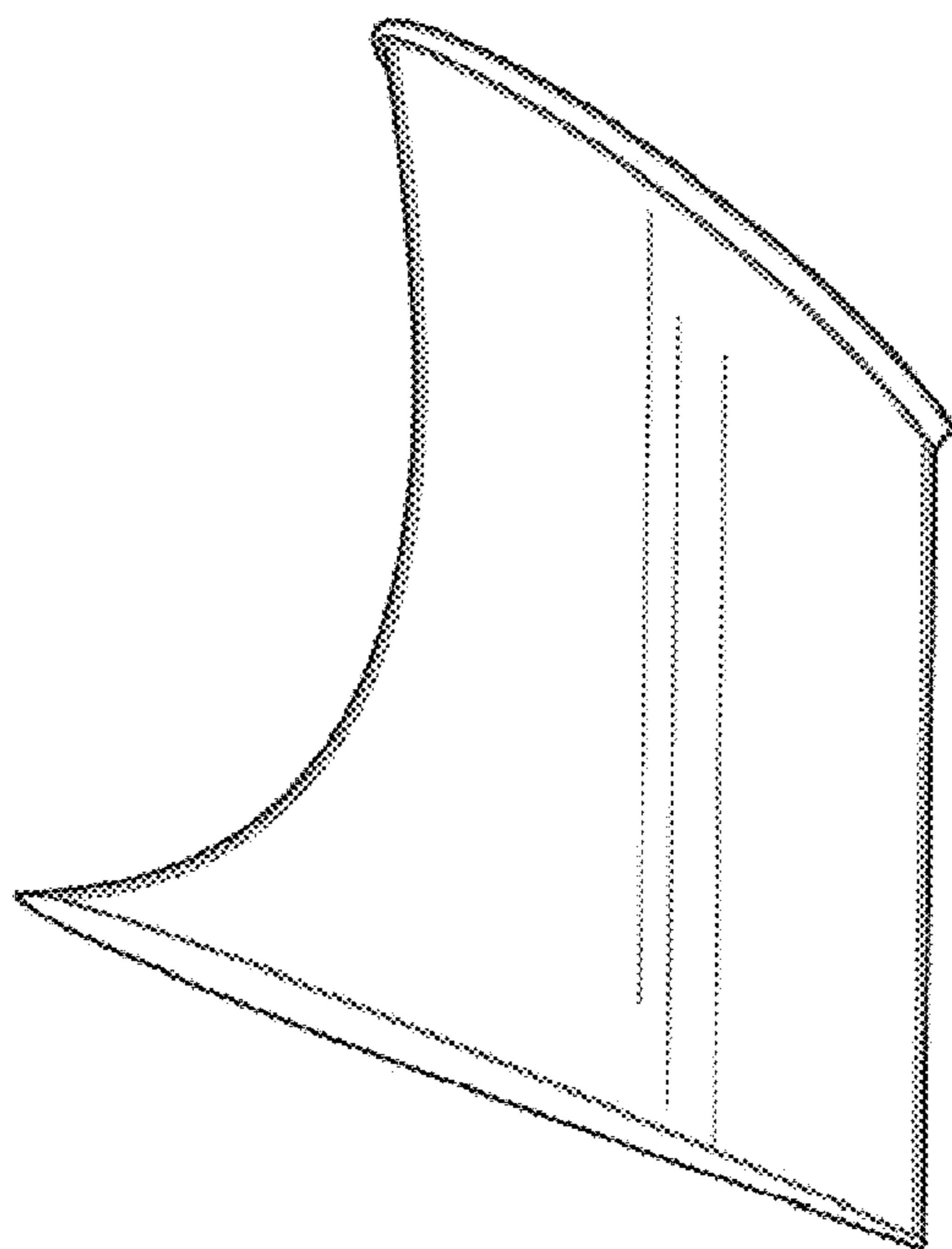


FIG. 2

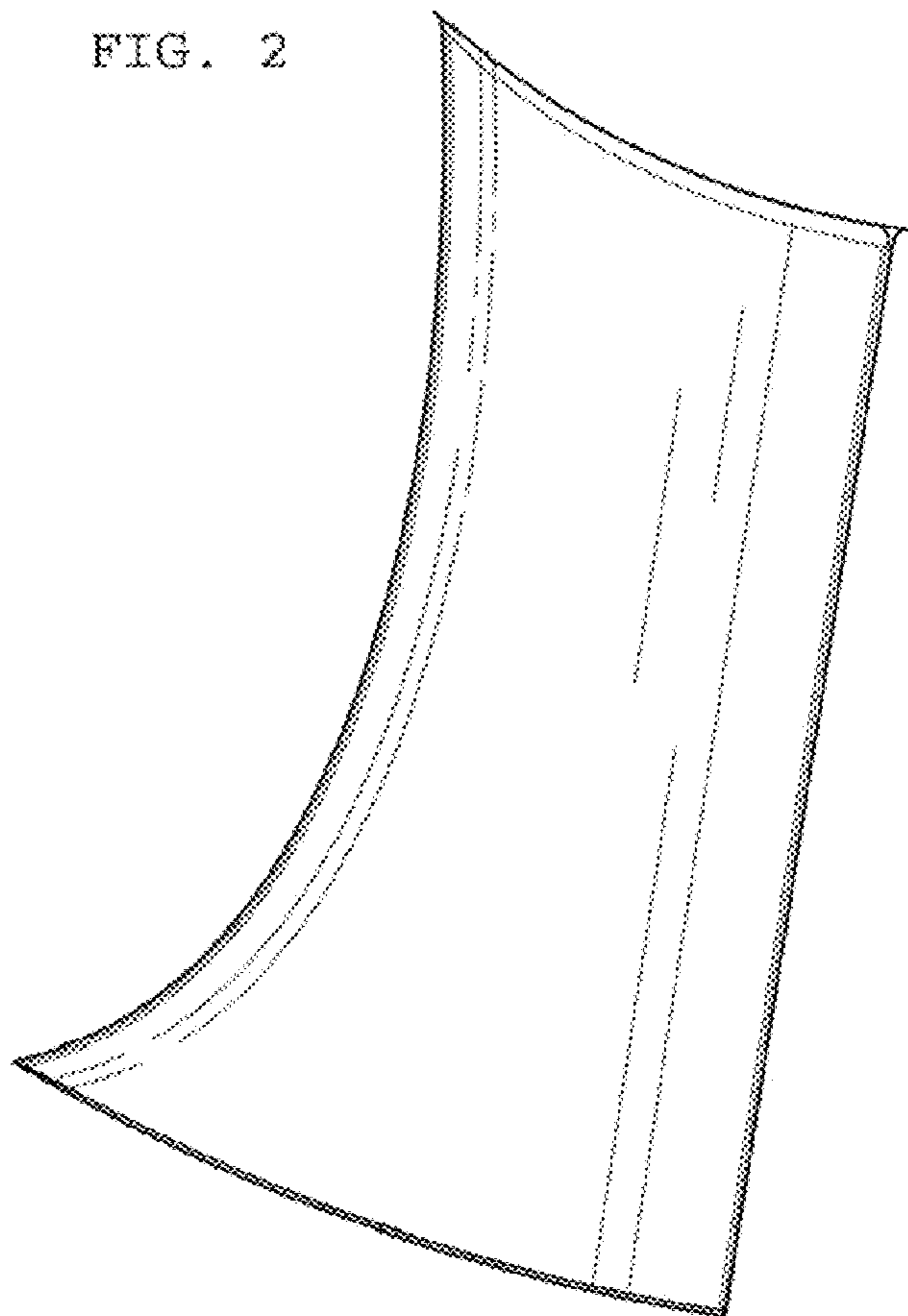


FIG. 3



FIG. 4



FIG. 5

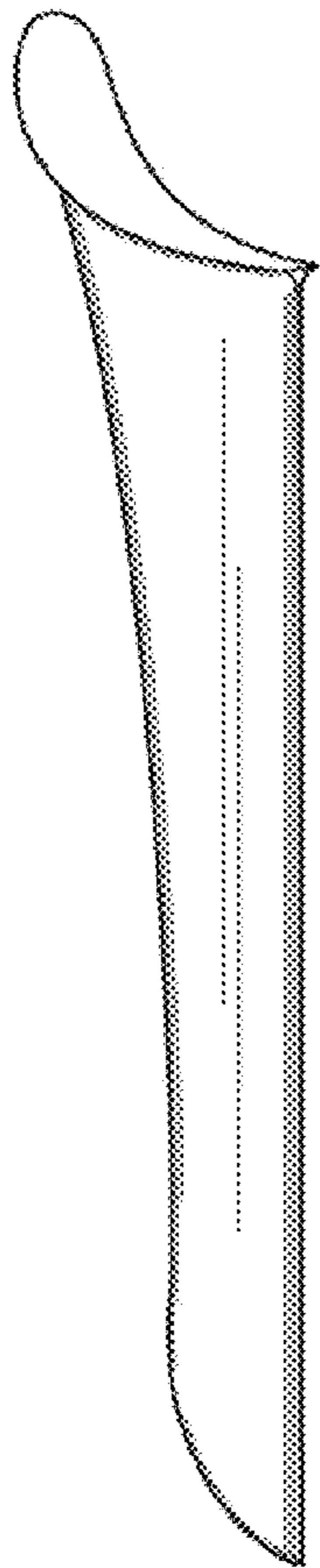


FIG. 6

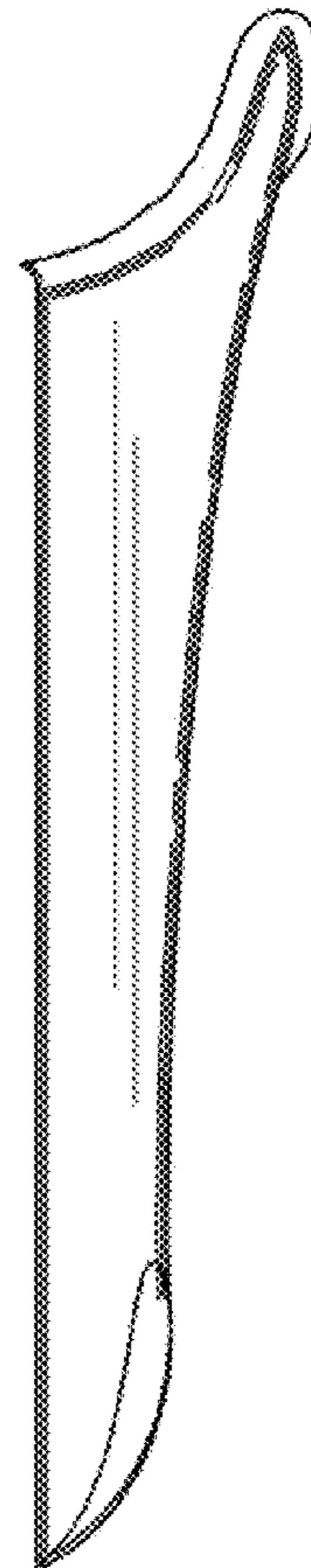


FIG. 7

