



US00D644306S

(12) **United States Design Patent**
Douglass, III

(10) **Patent No.:** **US D644,306 S**

(45) **Date of Patent:** **** Aug. 30, 2011**

(54) **CORRUGATION SADDLE GASKET**

(75) Inventor: **Carl R. Douglass, III**, Willmar, MN (US)

(73) Assignee: **Prinsco, Inc.**, Willmar, MN (US)

(**) Term: **14 Years**

(21) Appl. No.: **29/385,533**

(22) Filed: **Feb. 15, 2011**

(51) **LOC (9) Cl.** **23-01**

(52) **U.S. Cl.** **D23/269**

(58) **Field of Classification Search** D23/269;
277/602, 608, 625, 626, 910; 285/105, 232,
285/337, 370, 95

See application file for complete search history.

(56) **References Cited**

U.S. PATENT DOCUMENTS

198,146	A *	12/1877	Painter	277/314
D35,064	S *	9/1901	Pulcifer	D23/269
2,882,073	A	4/1959	James		
2,953,398	A	9/1960	Haugen et al.		
3,081,102	A *	3/1963	Murray et al.	277/607
3,244,797	A	4/1966	Watson		
3,858,912	A	1/1975	Bower		
D244,533	S *	5/1977	Eidelberg et al.	D23/269
4,366,913	A *	1/1983	Winchell et al.	215/329
4,702,502	A	10/1987	Shade et al.		
4,946,206	A	8/1990	Roe et al.		
5,143,381	A *	9/1992	Temple	277/314
D330,073	S *	10/1992	Valls	D23/269

D374,710	S *	10/1996	Gustafsson	D23/269
6,082,741	A	7/2000	Gregoire et al.		
6,336,640	B1	1/2002	Knapp		
6,343,623	B2	2/2002	Hegler		
6,364,373	B1	4/2002	Brockway		
6,367,802	B1 *	4/2002	Knapp	277/314
D514,671	S *	2/2006	Jones	D23/269
D539,117	S	3/2007	Sealey et al.		
7,185,894	B2	3/2007	Kish et al.		
D556,866	S *	12/2007	Darce	D23/269
D556,867	S	12/2007	Darce		
7,331,582	B2	2/2008	Shaffer et al.		
D572,348	S *	7/2008	Arosio	D23/269

* cited by examiner

Primary Examiner — T. Chase Nelson

Assistant Examiner — Eric Goodman

(74) *Attorney, Agent, or Firm* — Schroeder & Siegfried, P.A.

(57) **CLAIM**

I claim the ornamental design for a corrugation saddle gasket, as shown and described.

DESCRIPTION

FIG. 1 is a perspective view of a corrugation saddle gasket showing my new design;

FIG. 2 is a front elevational view thereof;

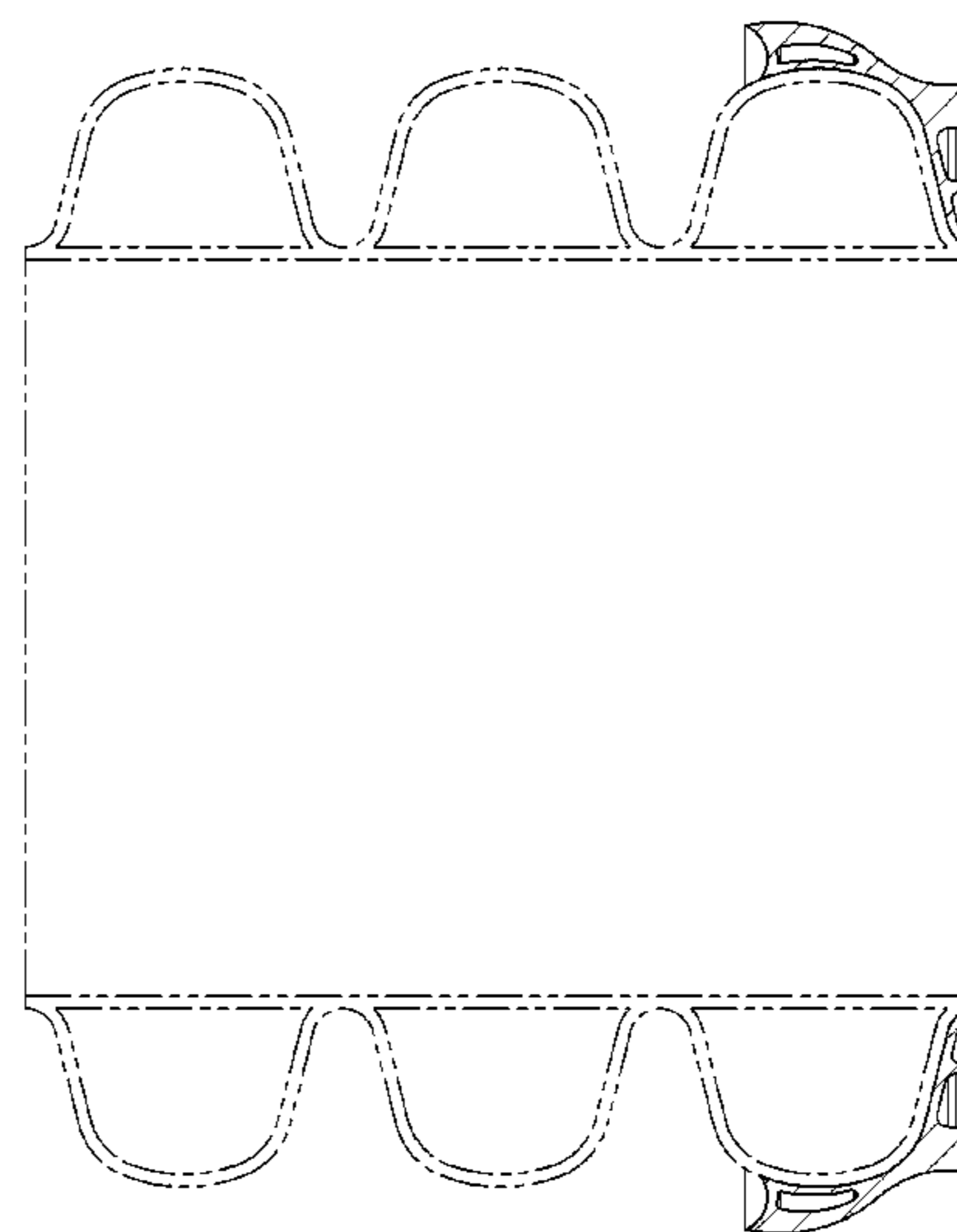
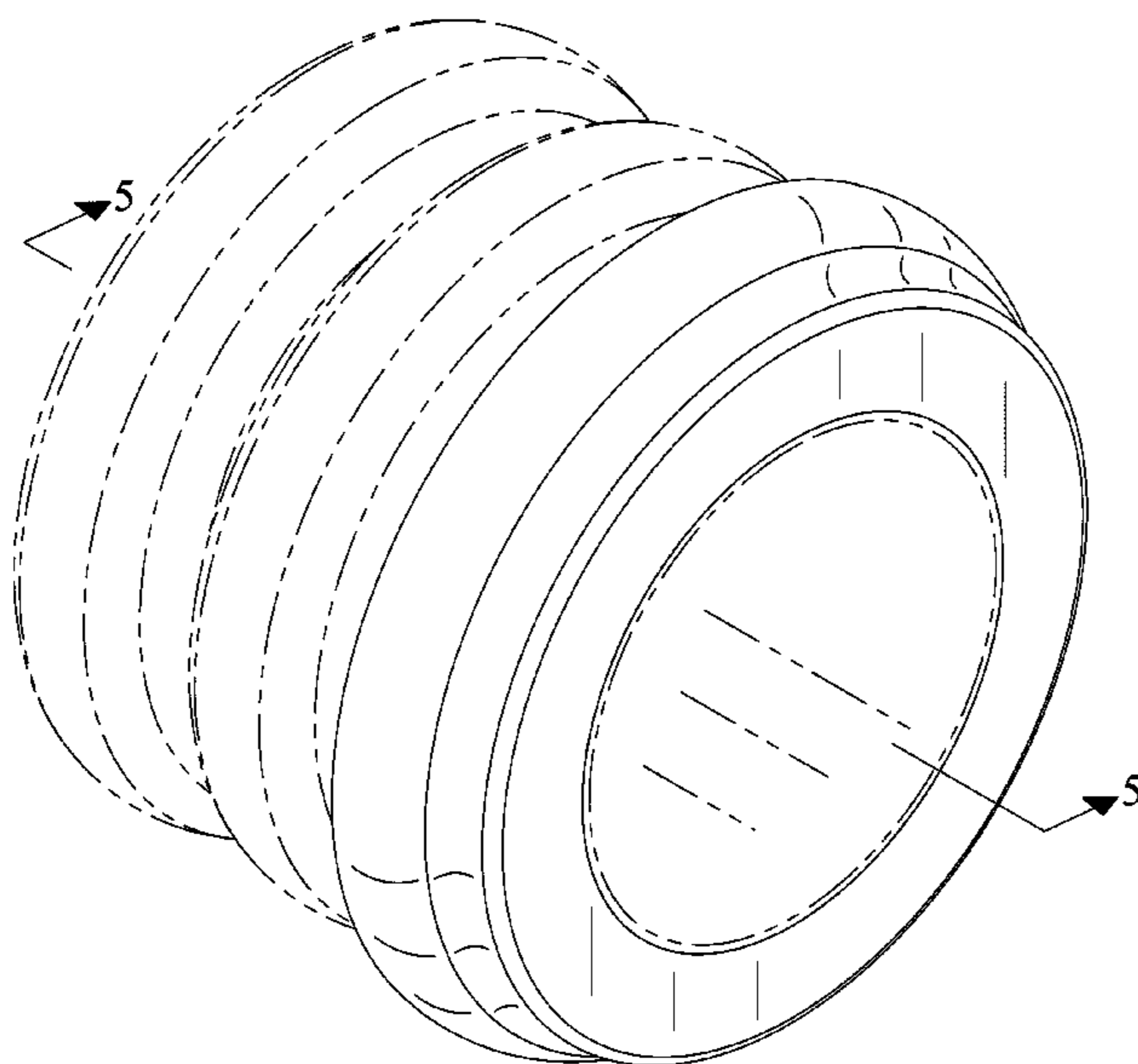
FIG. 3 is a rear elevational view thereof;

FIG. 4 is a side elevational view thereof; and,

FIG. 5 is a cross-sectional view thereof taken along line 5-5 of FIG. 1.

The broken lines shown in FIGS. 1 and 5 represent environmental structure and form no part of the claimed design.

1 Claim, 5 Drawing Sheets



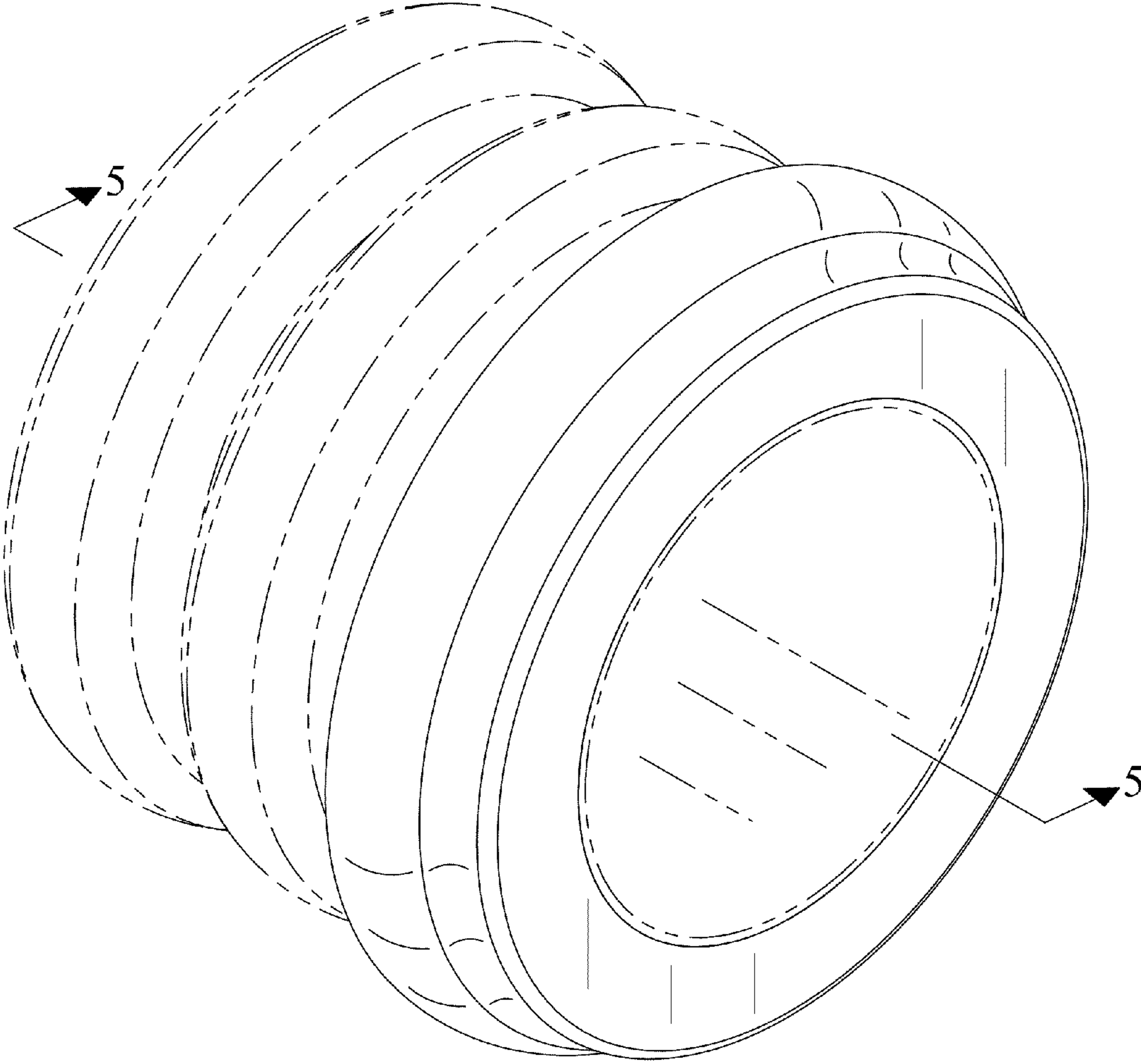


Fig. 1

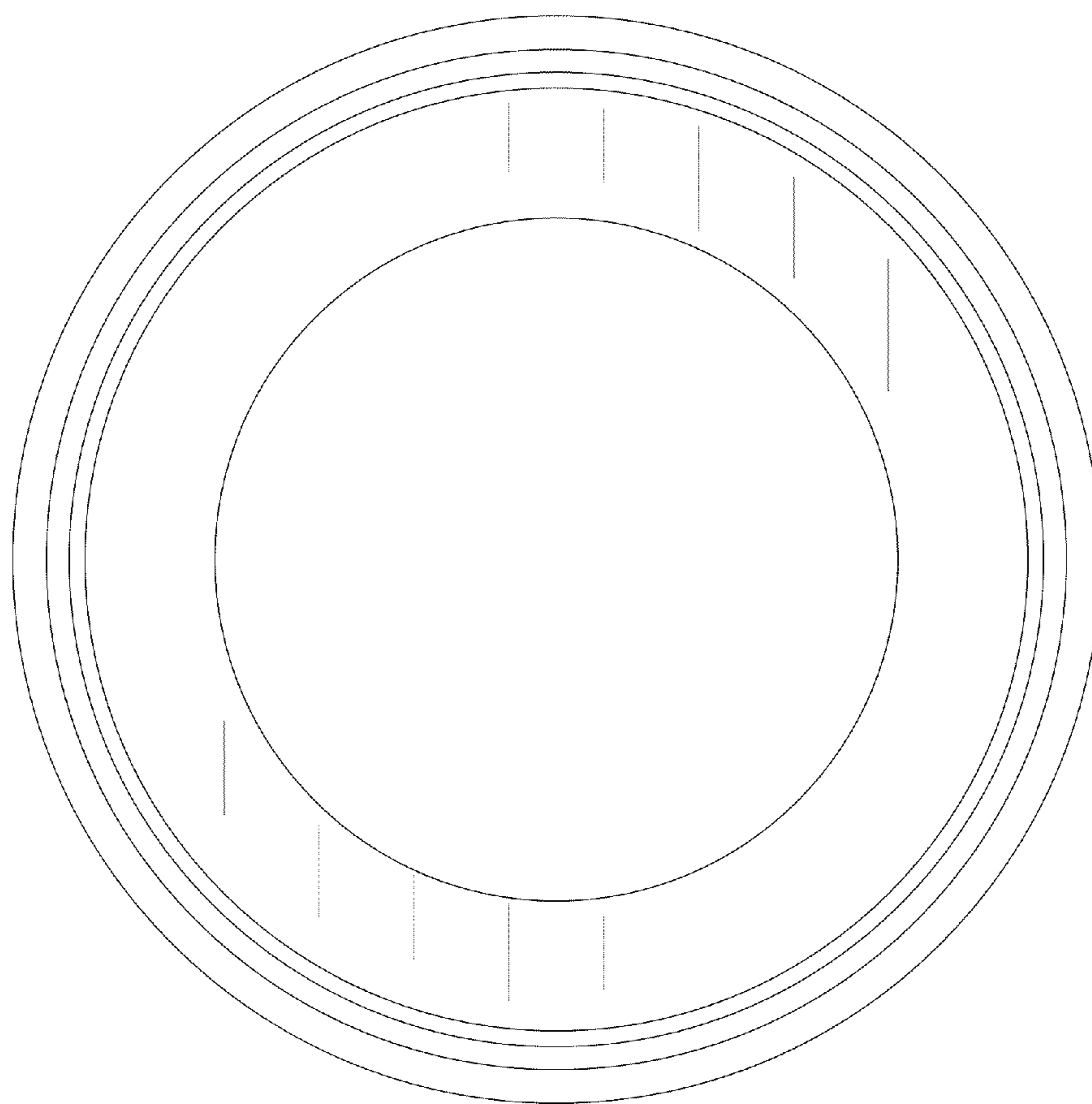


Fig. 2

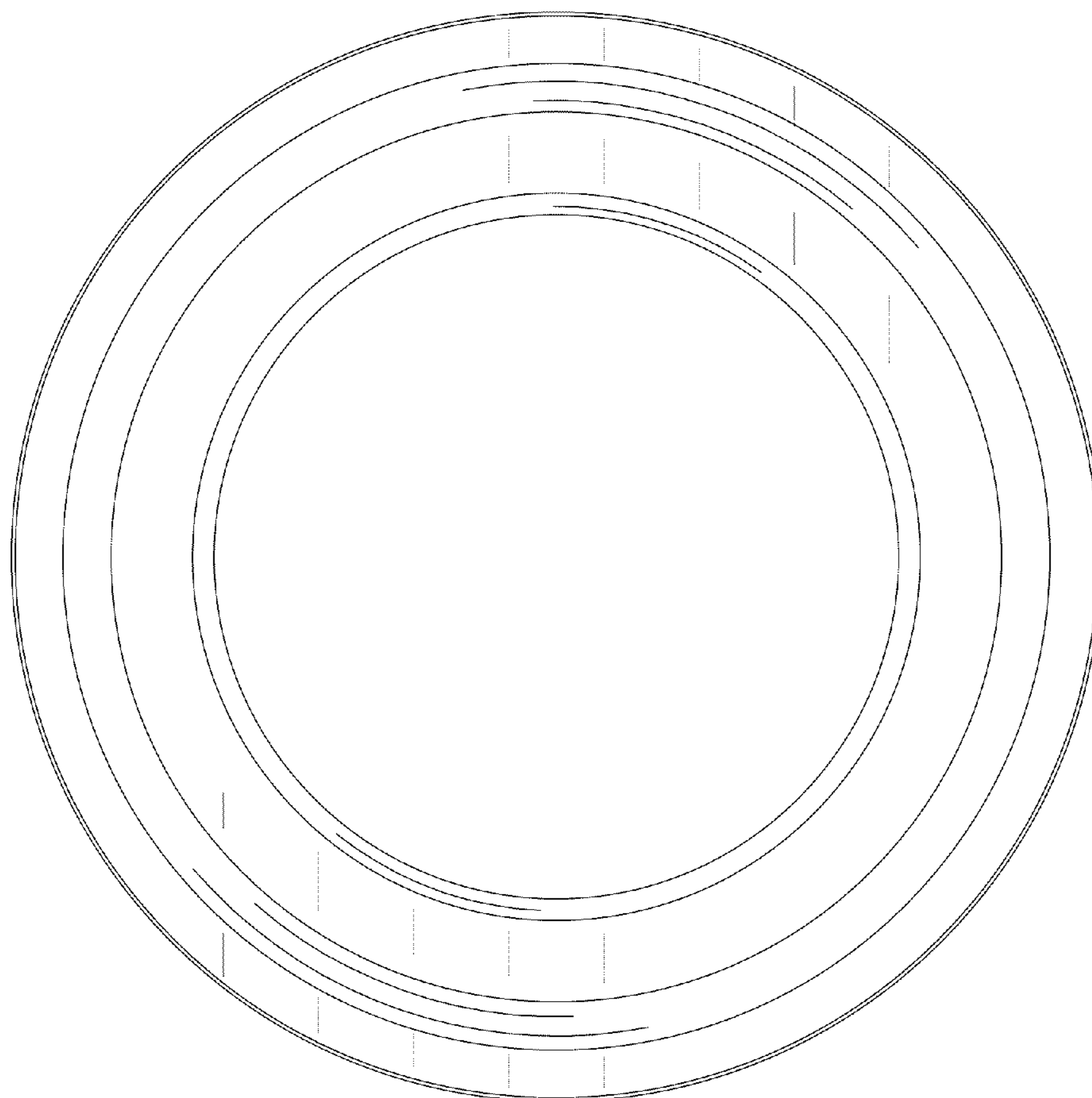


Fig. 3

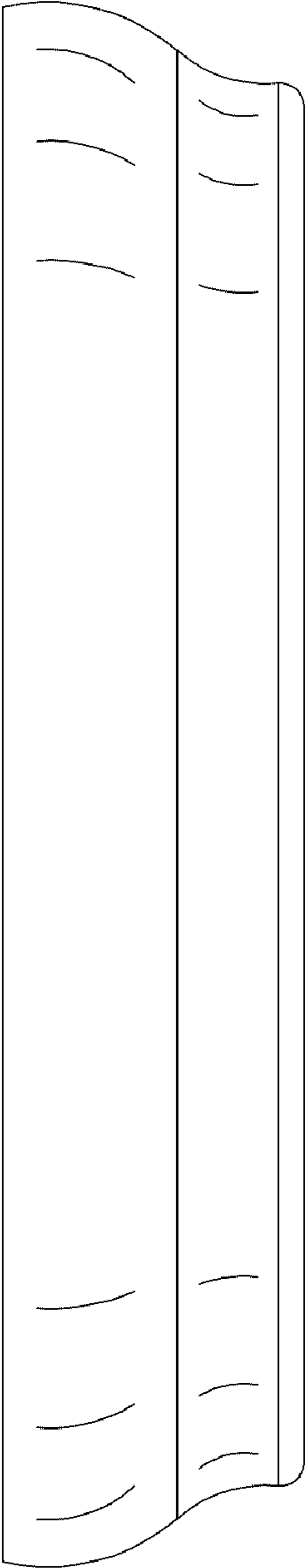


Fig. 4

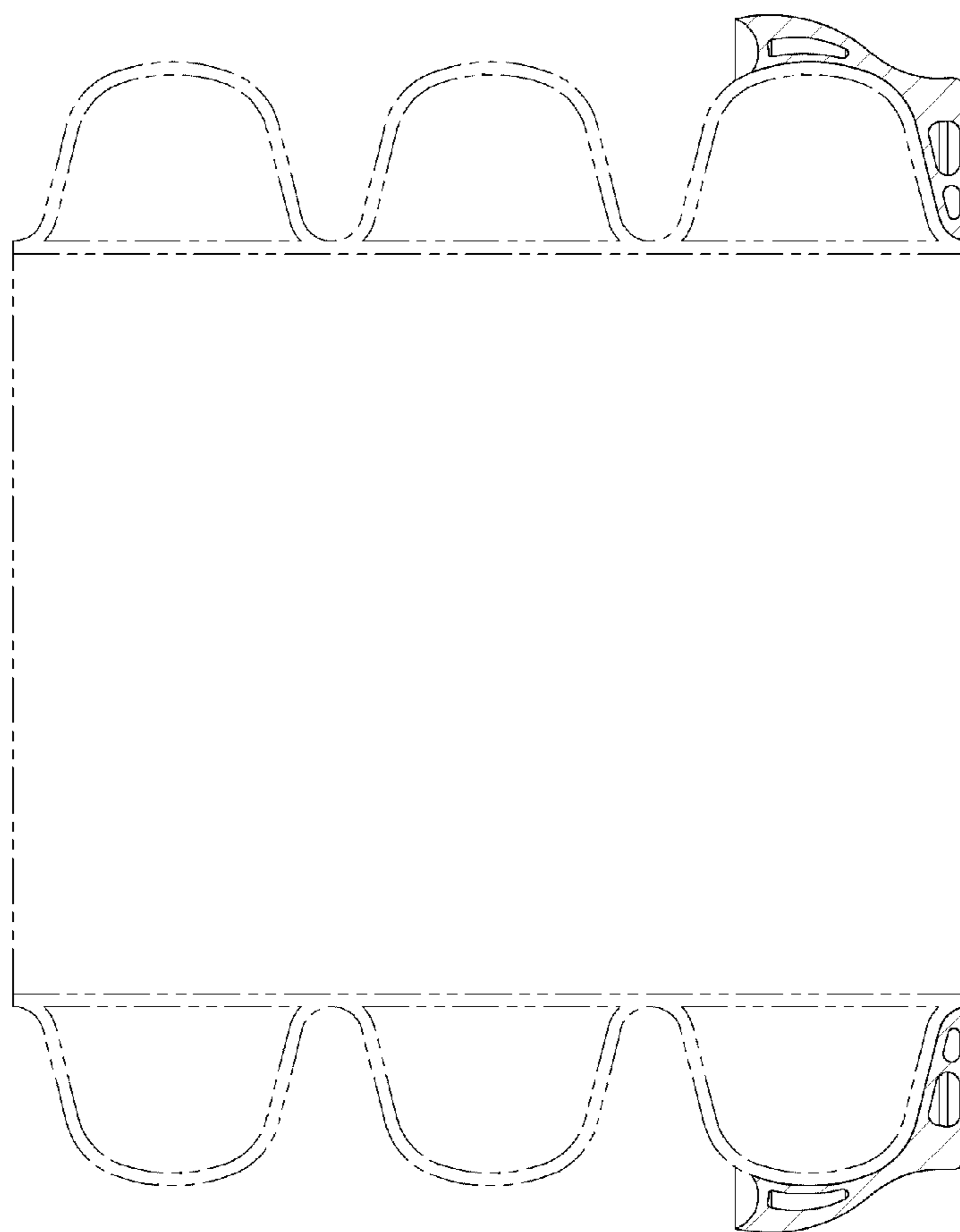


Fig. 5