



US00D644305S

(12) **United States Design Patent**  
**White**

(10) **Patent No.:** **US D644,305 S**

(45) **Date of Patent:** **\*\* Aug. 30, 2011**

(54) **SPIN DOWN FLUSH TUBE**

(76) **Inventor:** **Patrick Hyden White**, Snellville, GA  
(US)

(\*\*) **Term:** **14 Years**

(21) **Appl. No.:** **29/375,070**

(22) **Filed:** **Sep. 16, 2010**

(51) **LOC (9) Cl.** ..... **23-01**

(52) **U.S. Cl.** ..... **D23/266**

(58) **Field of Classification Search** ..... D23/259-266;  
285/133.11, 133.21, 133.3, 133.4, 133.5,  
285/133.6

See application file for complete search history.

(56) **References Cited**

**U.S. PATENT DOCUMENTS**

2,082,611	A *	6/1937	Benge	138/174
D135,633	S *	5/1943	Stark	D23/263
2,751,237	A *	6/1956	Conley	285/133.4
4,504,086	A *	3/1985	Carrow	285/133.5
4,930,816	A *	6/1990	Biing-Yih	285/321
5,039,134	A *	8/1991	Meadows et al.	285/24
D480,786	S *	10/2003	Wilk et al.	D23/263
D481,109	S *	10/2003	Dole et al.	D23/263
D481,110	S *	10/2003	Snyder et al.	D23/263

6,991,263	B2 *	1/2006	Zarubaiko	285/133.11
7,686,346	B1 *	3/2010	Buccicone et al.	285/133.21
D630,305	S *	1/2011	Adams et al.	D23/259
2009/0223583	A1 *	9/2009	Coscarella	138/90

\* cited by examiner

*Primary Examiner* — T. Chase Nelson

*Assistant Examiner* — Eric Goodman

(74) *Attorney, Agent, or Firm* — George R. Reardon

(57) **CLAIM**

The ornamental design for a spin down flush tube, as shown.

**DESCRIPTION**

FIG. 1 is a perspective view of a spin down flush tube, showing my new design;

FIG. 2 is a front plan view of a spin down flush tube;

FIG. 3 is a rear plan view of a spin down flush tube;

FIG. 4 is a right side plan view of a spin down flush tube;

FIG. 5 is a left side plan view of a spin down flush tube;

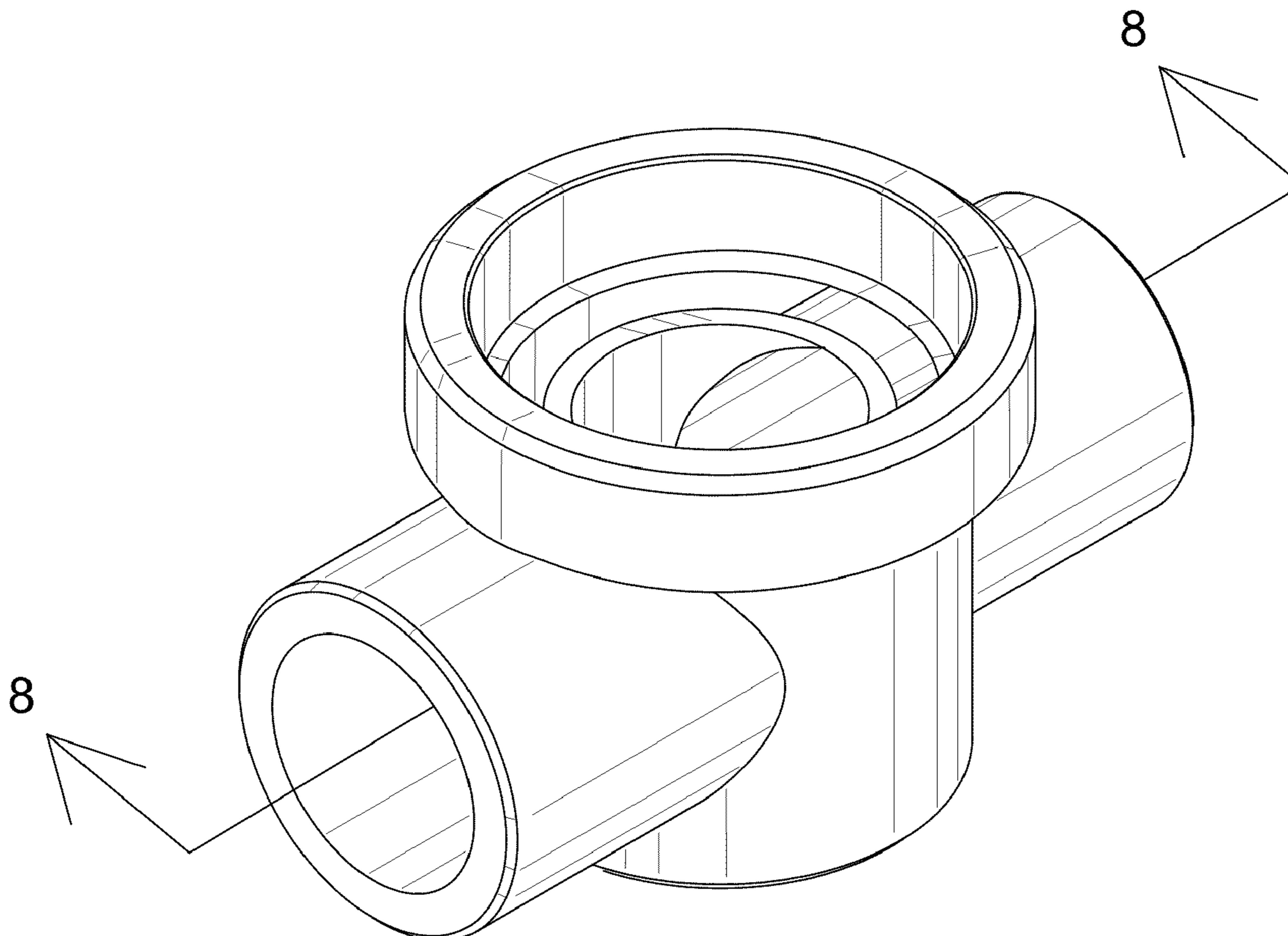
FIG. 6 is a top plan view of a spin down flush tube;

FIG. 7 is a bottom plan view of a spin down flush tube; and,

FIG. 8 is a cross sectional view of a spin down flush tube.

A device that extends filter life by facilitating fluid flow reversal in a liquid filtration system, e.g. a water filtration system.

**1 Claim, 8 Drawing Sheets**



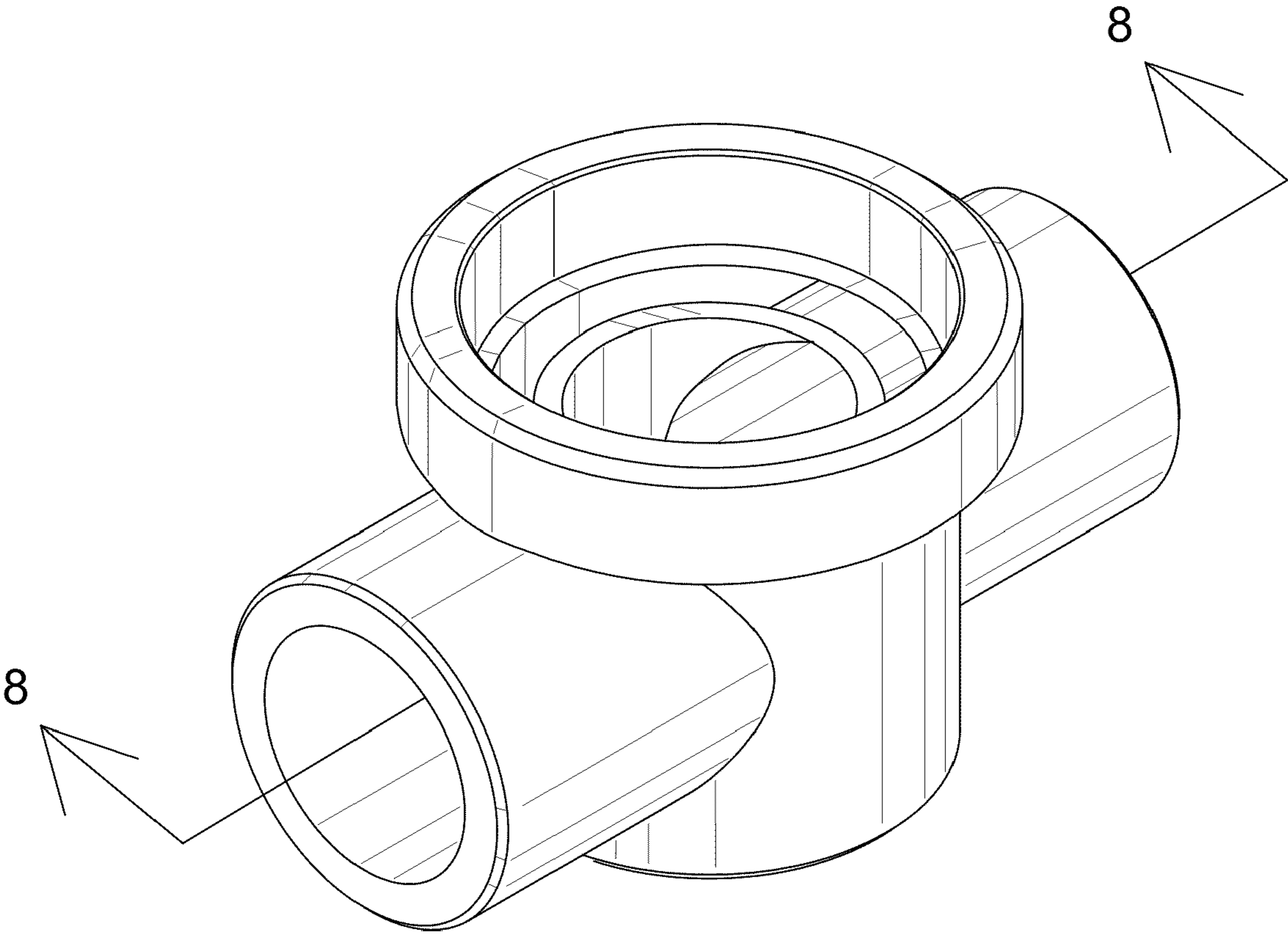


FIG. 1

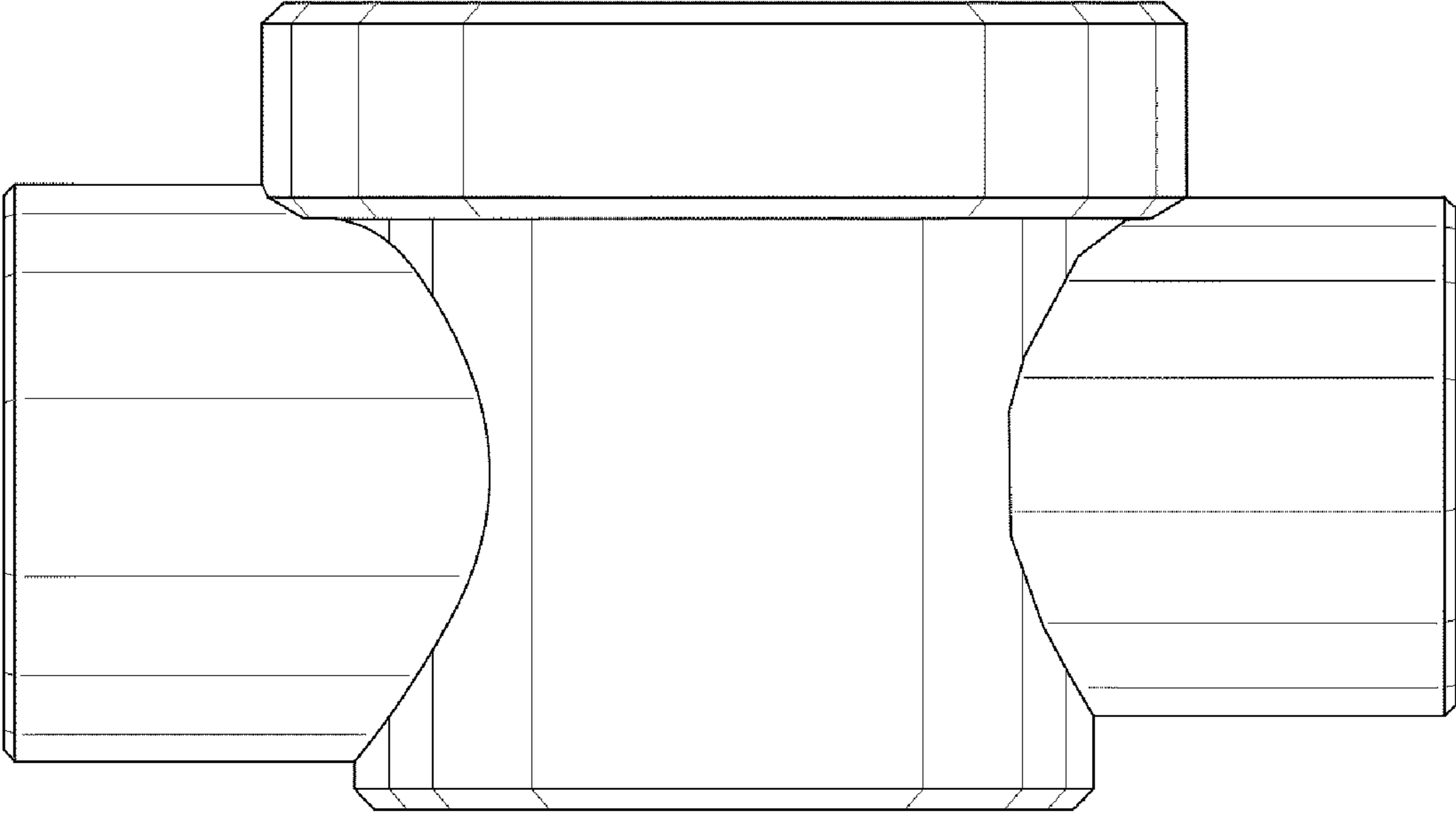


FIG. 2

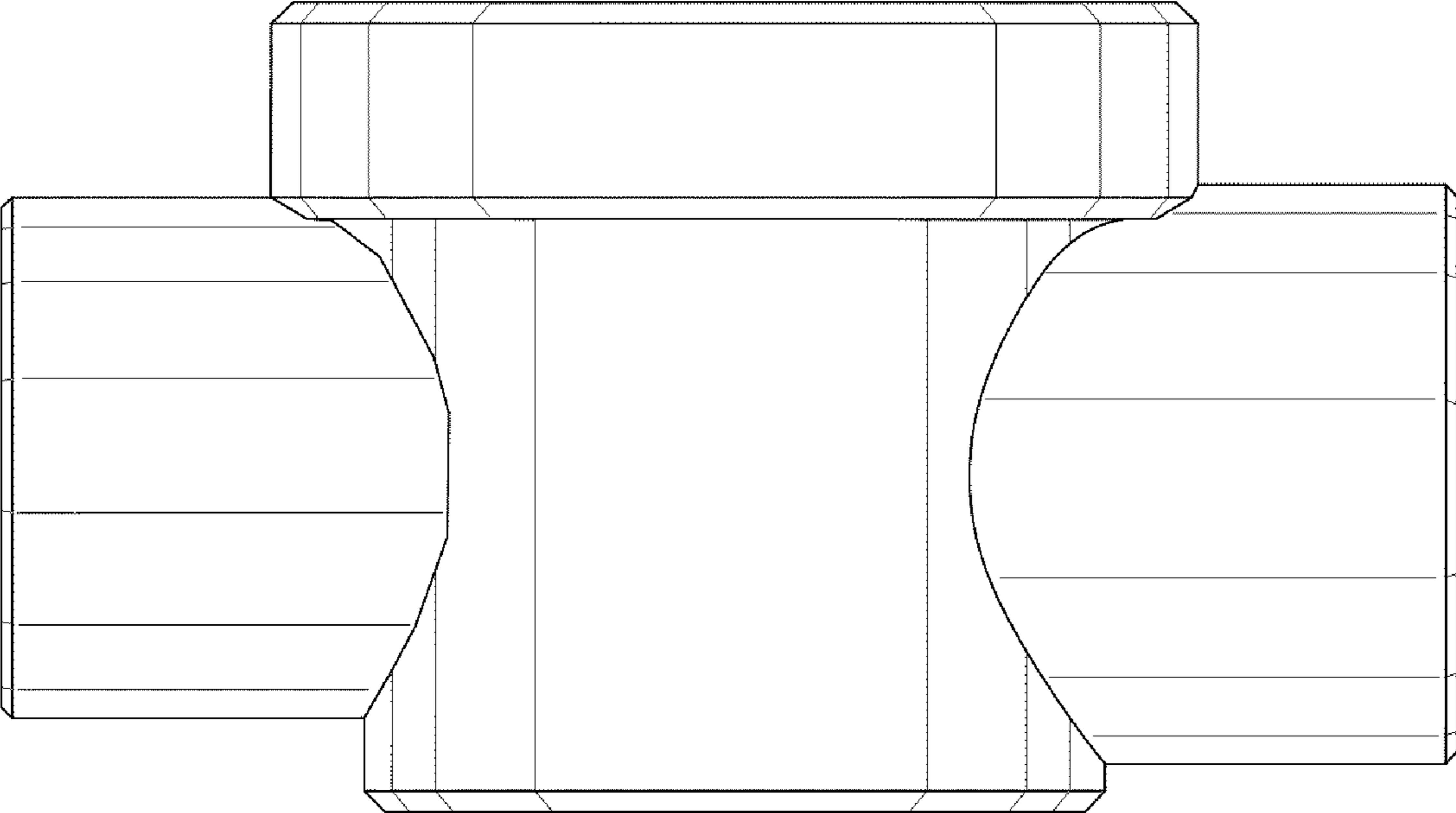


FIG. 3

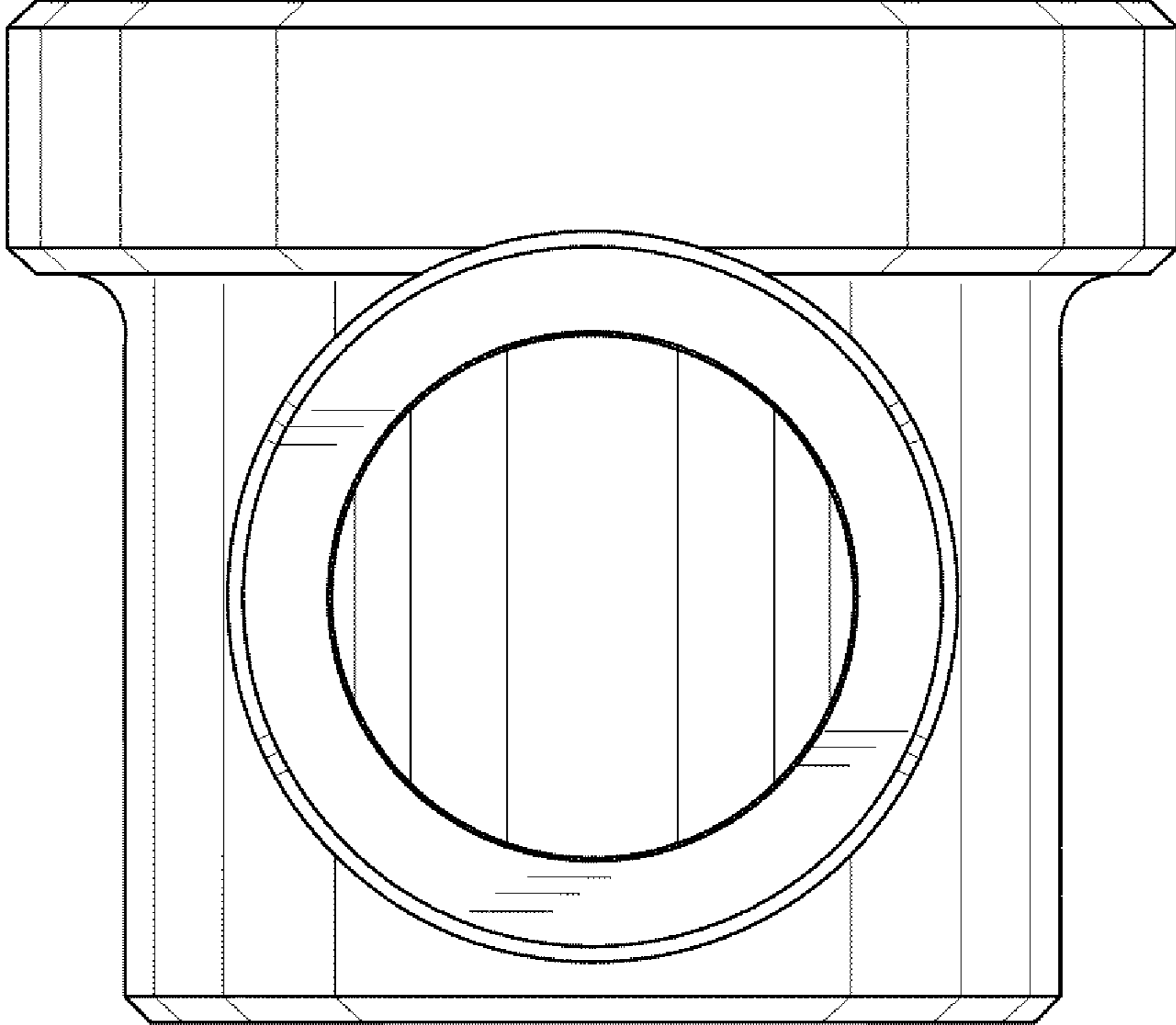


FIG. 4

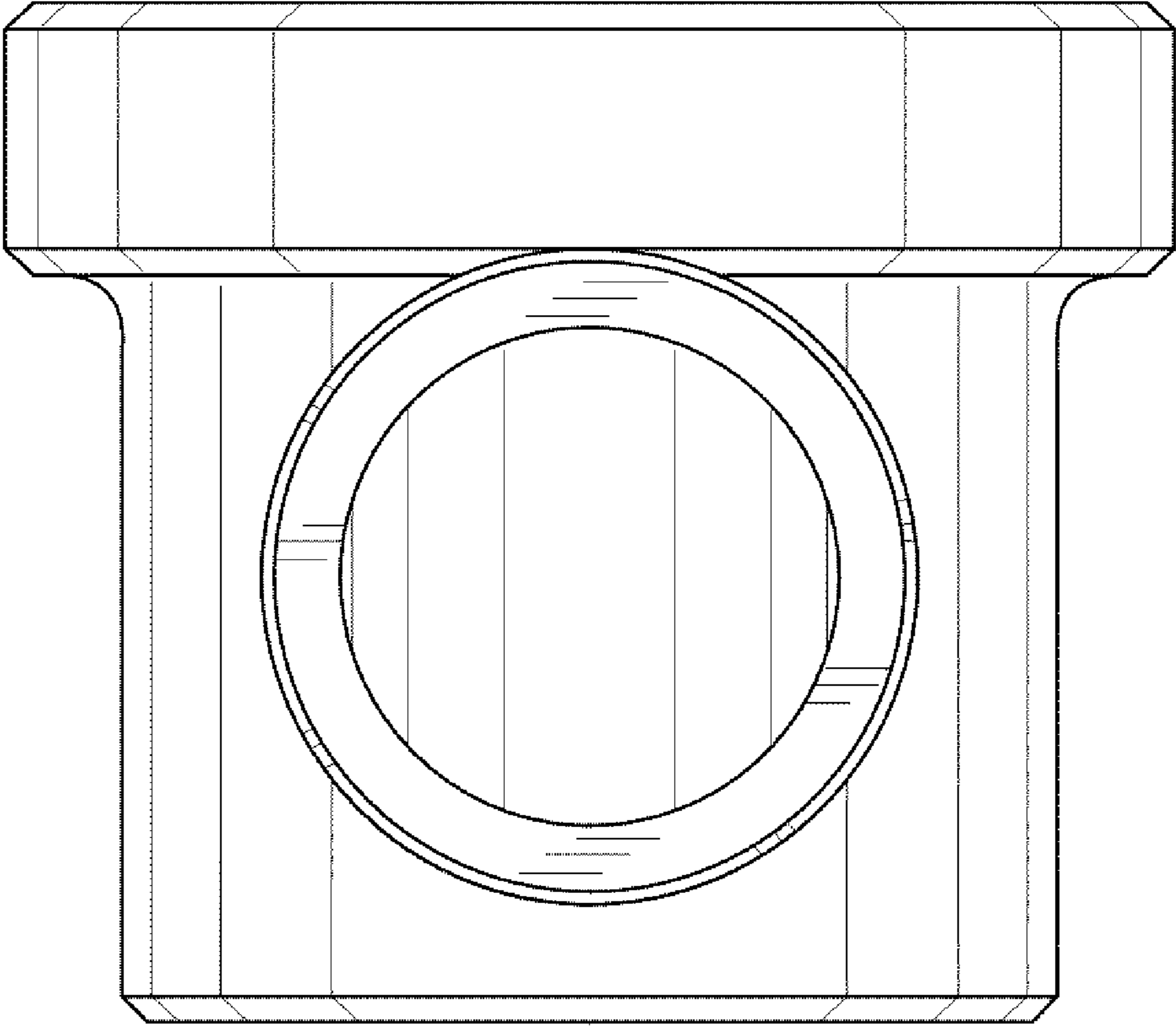


FIG. 5

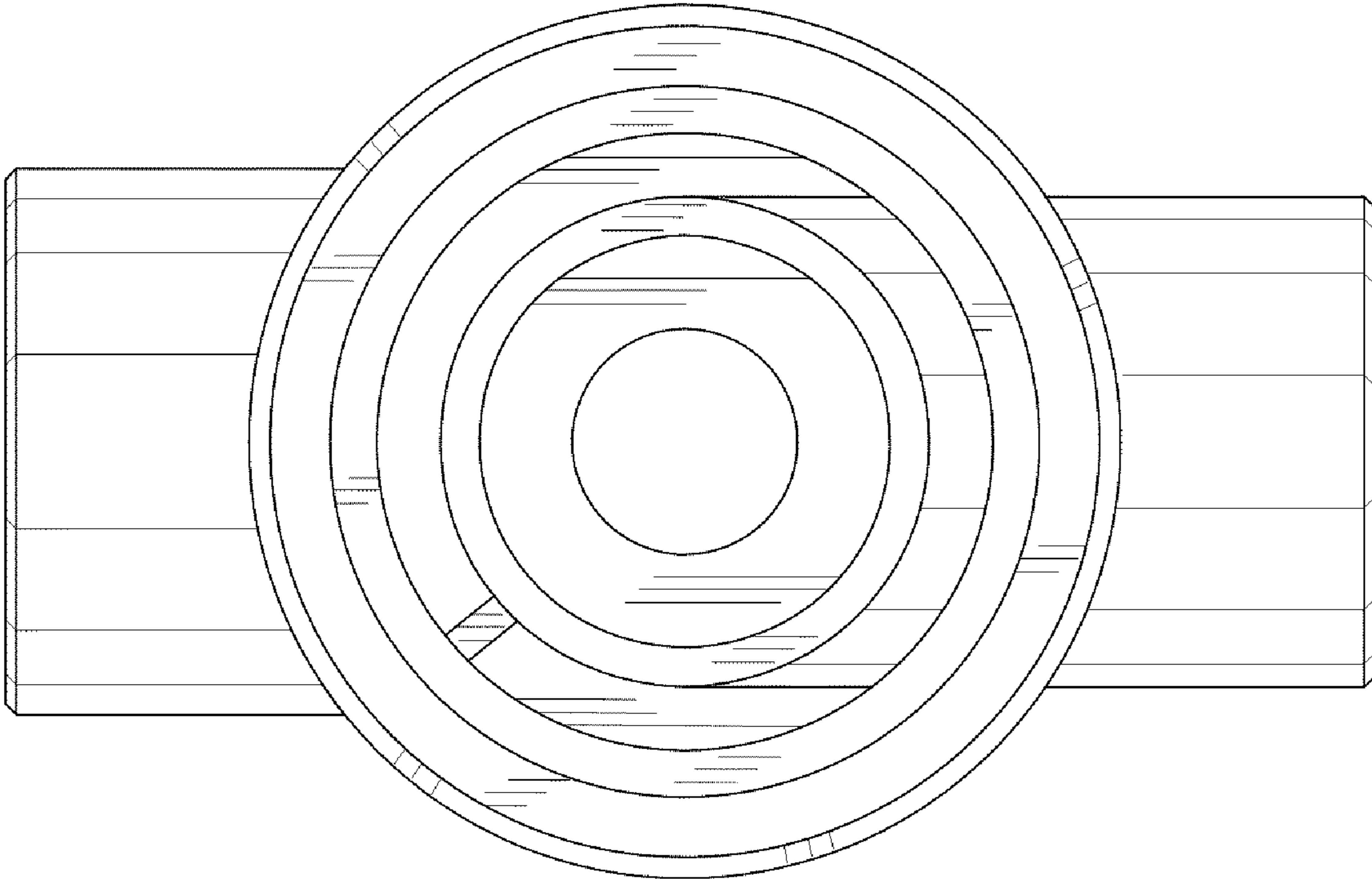


FIG. 6



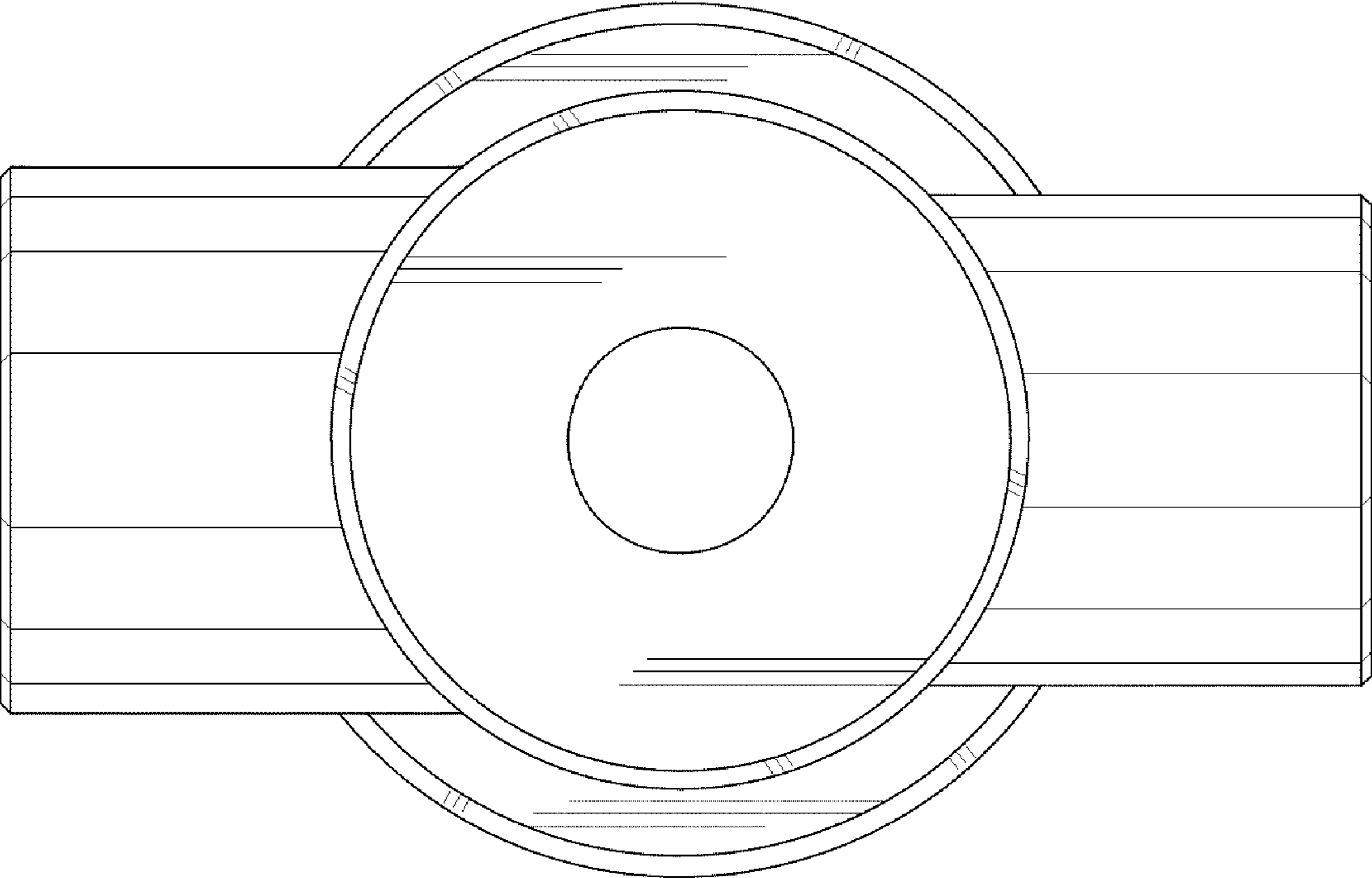


FIG. 7



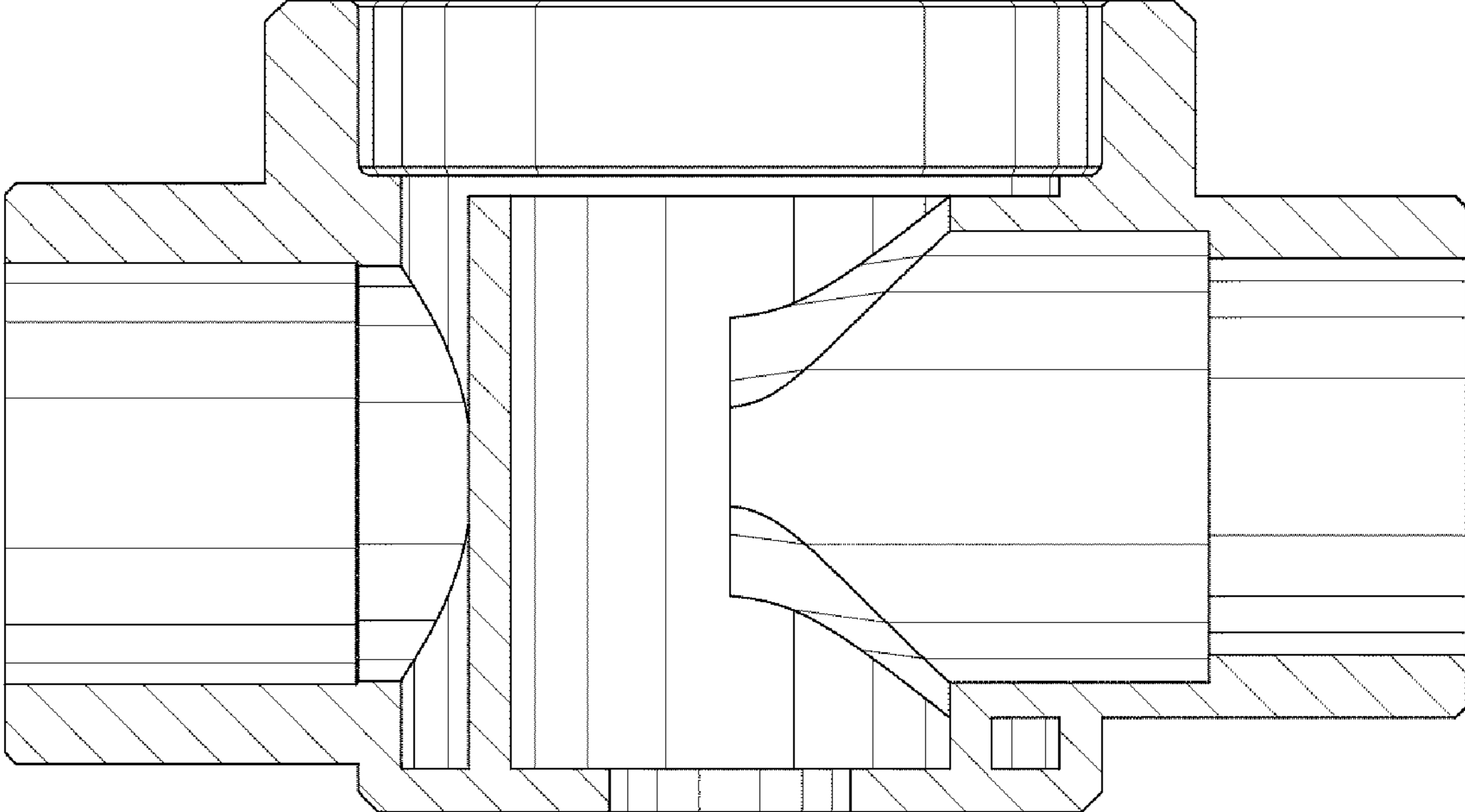


FIG. 8