



US00D644301S

(12) **United States Design Patent**
Flowers et al.

(10) **Patent No.:** **US D644,301 S**

(45) **Date of Patent:** **** Aug. 30, 2011**

(54) **FAUCET**

(75) Inventors: **Paul Flowers**, Duesseldorf (DE); **Jochen Allard**, Menden (DE)

(73) Assignee: **Grohe AG**, Hemer (DE)

(**) Term: **14 Years**

(21) Appl. No.: **29/367,390**

(22) Filed: **Aug. 6, 2010**

(30) **Foreign Application Priority Data**

Feb. 8, 2010 (EM) 001666843-0002

(51) **LOC (9) Cl.** **23-01**

(52) **U.S. Cl.** **D23/238**

(58) **Field of Classification Search** D23/238,
D23/241-243, 250, 252, 255, 257; 4/676-678;
137/801

See application file for complete search history.

(56) **References Cited**

U.S. PATENT DOCUMENTS

D531,699 S * 11/2006 Haug et al. D23/238

D594,091 S * 6/2009 Schoenherr et al. D23/238

D594,936 S 6/2009 Schoenherr et al.

* cited by examiner

Primary Examiner — Robert Delehanty

(74) *Attorney, Agent, or Firm* — Muncy, Geissler, Olds & Lowe, PLLC

(57) **CLAIM**

The ornamental design of a faucet, as shown and described.

DESCRIPTION

FIG. 1 is a left side elevational view of a faucet according to an embodiment of the present invention.

FIG. 2 is a right side elevational view of the faucet of FIG. 1.

FIG. 3 is a top plan view of the faucet of FIG. 1.

FIG. 4 is a bottom plan view of the faucet of FIG. 1.

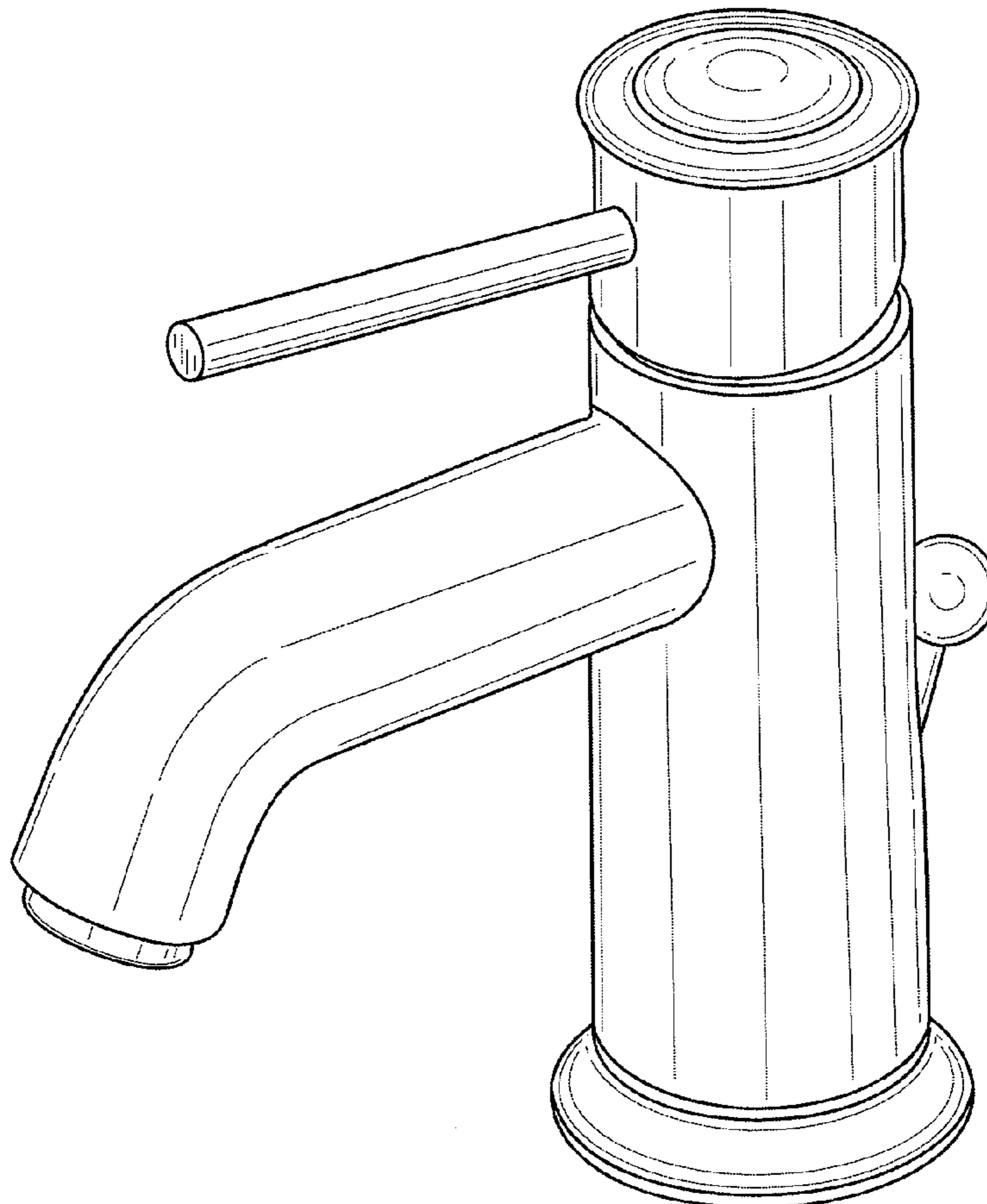
FIG. 5 is a front elevational view of the faucet of FIG. 1.

FIG. 6 is a rear elevational view of the faucet of FIG. 1; and,

FIG. 7 is a three-quarter perspective view of the faucet of FIG. 1.

The dashed lines illustrate environment that does not form a part of the present invention, and no claim is made to the material illustrated with dashed lines.

1 Claim, 5 Drawing Sheets



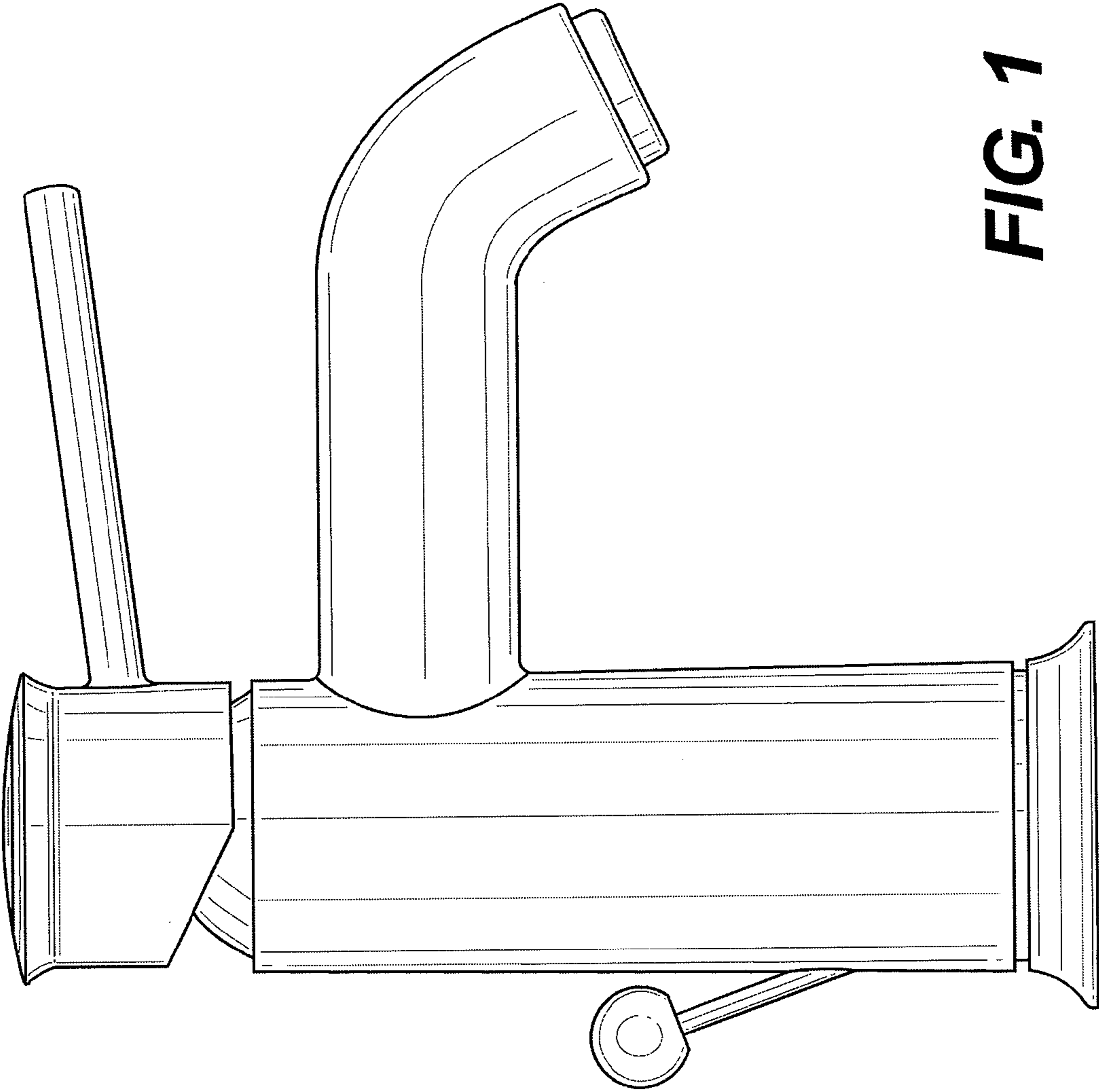


FIG. 1

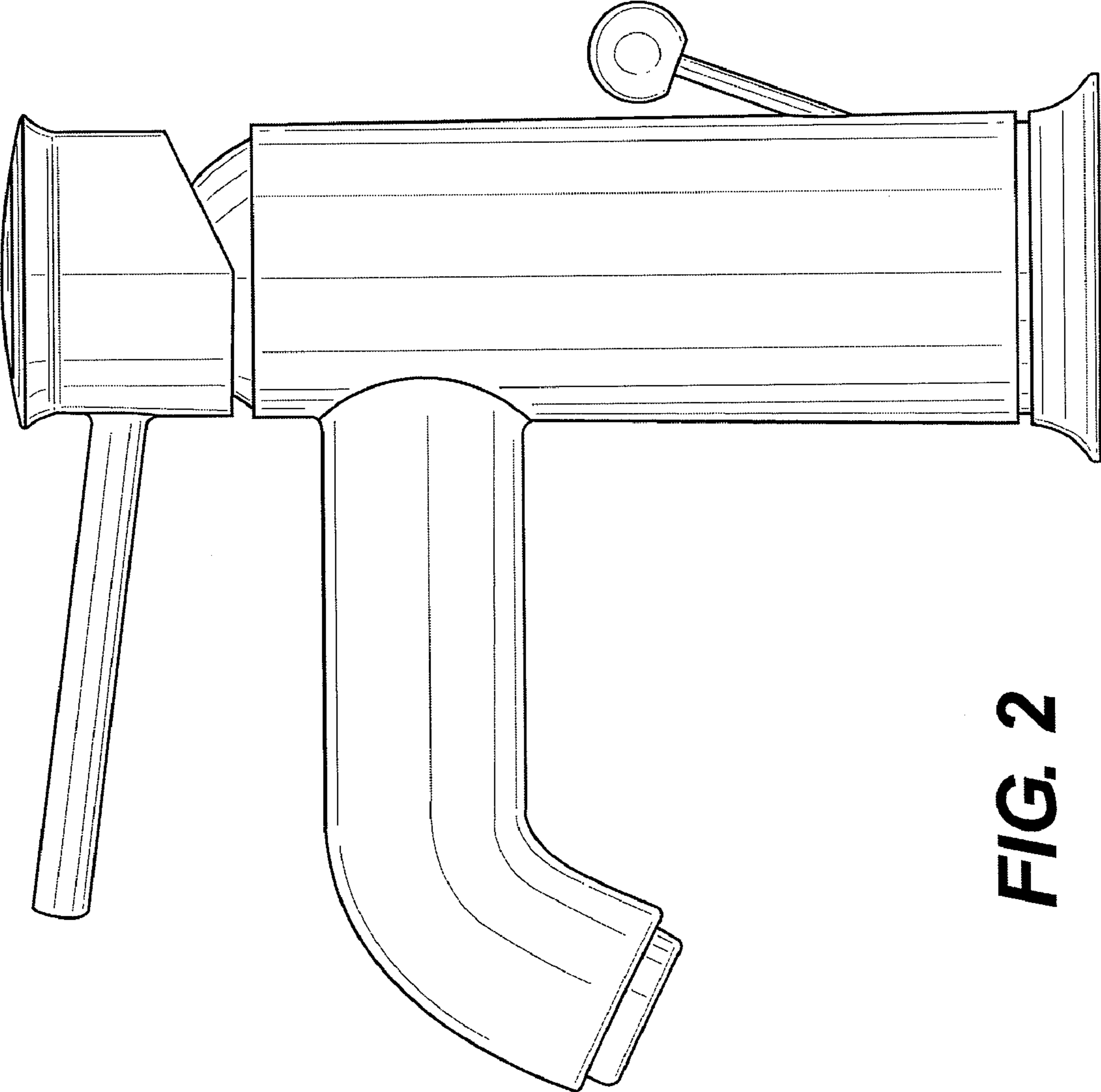


FIG. 2

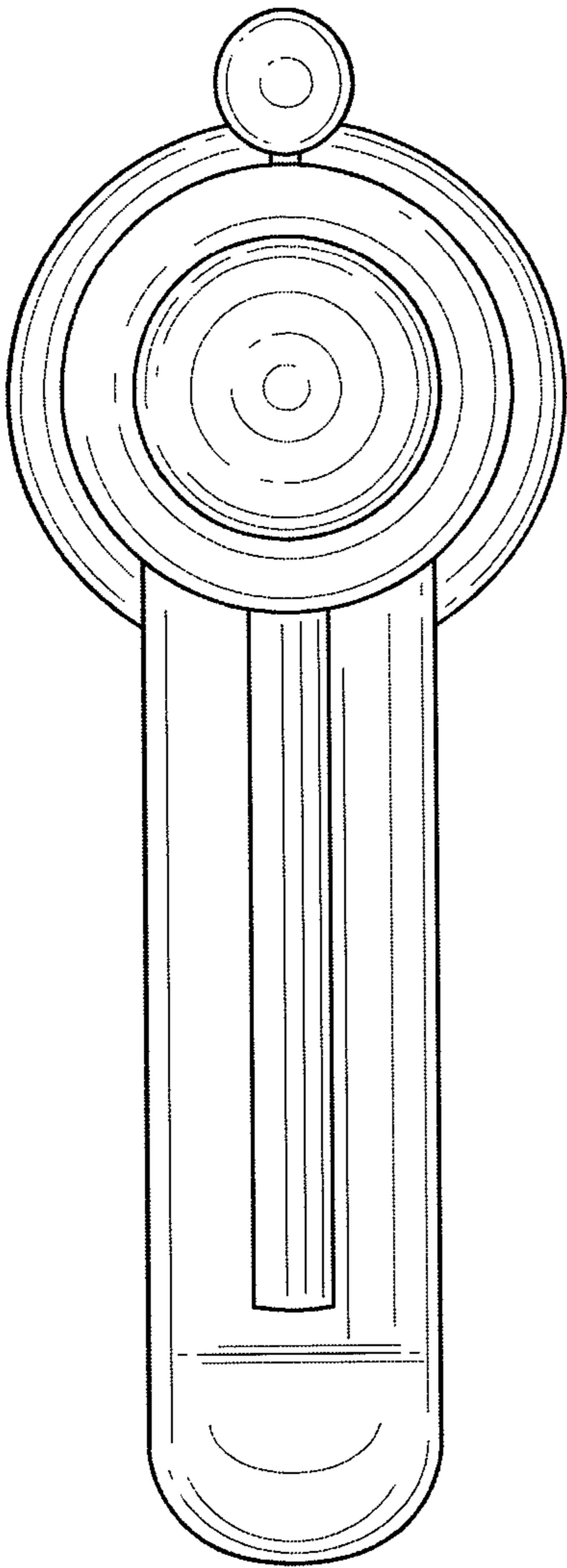


FIG. 3

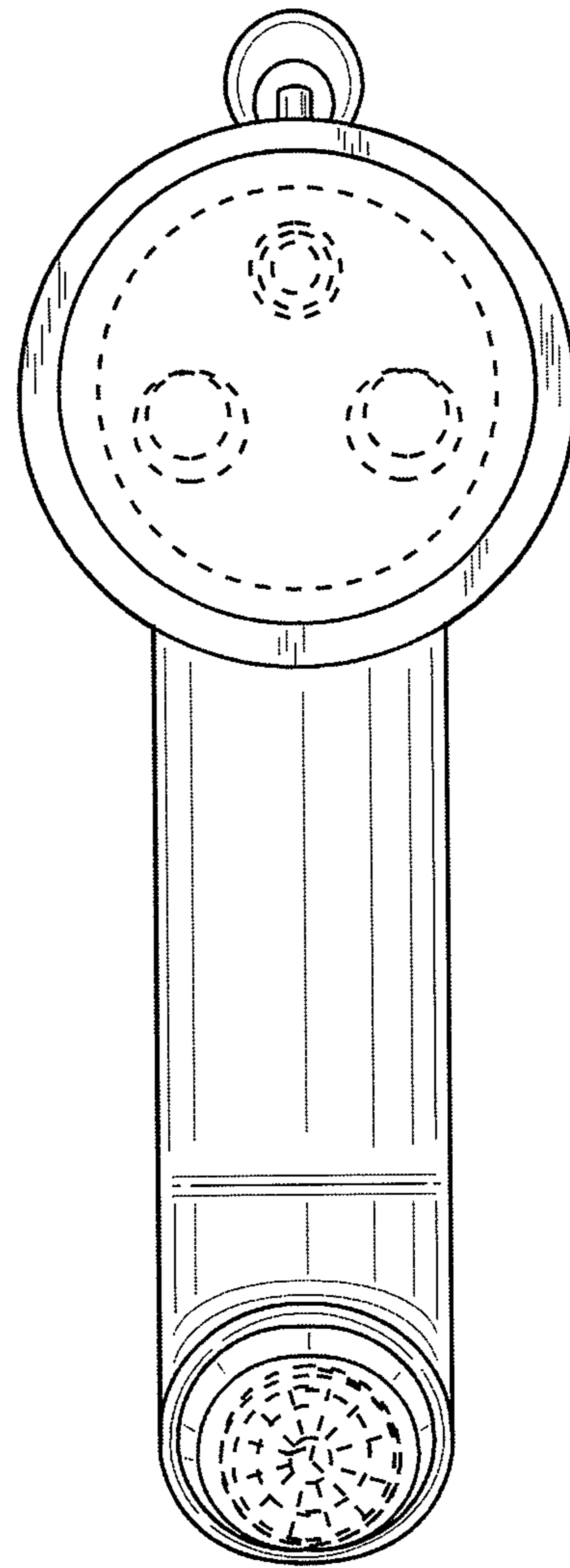


FIG. 4

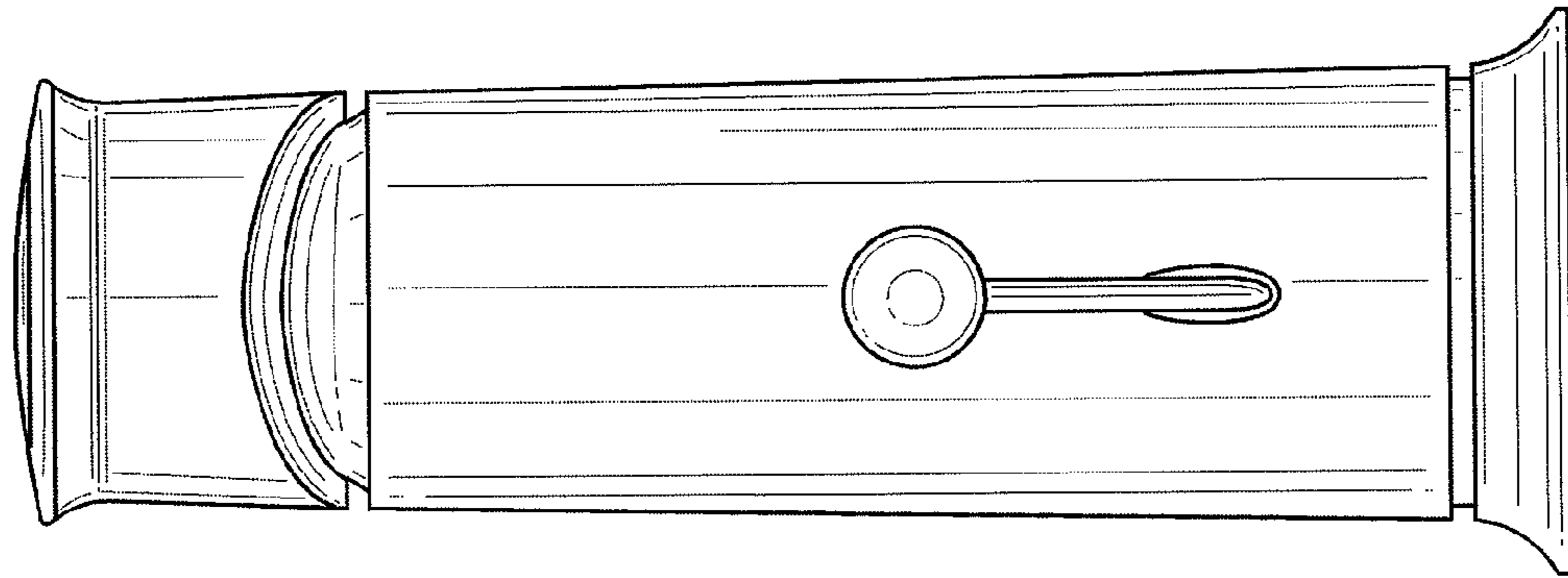


FIG. 6

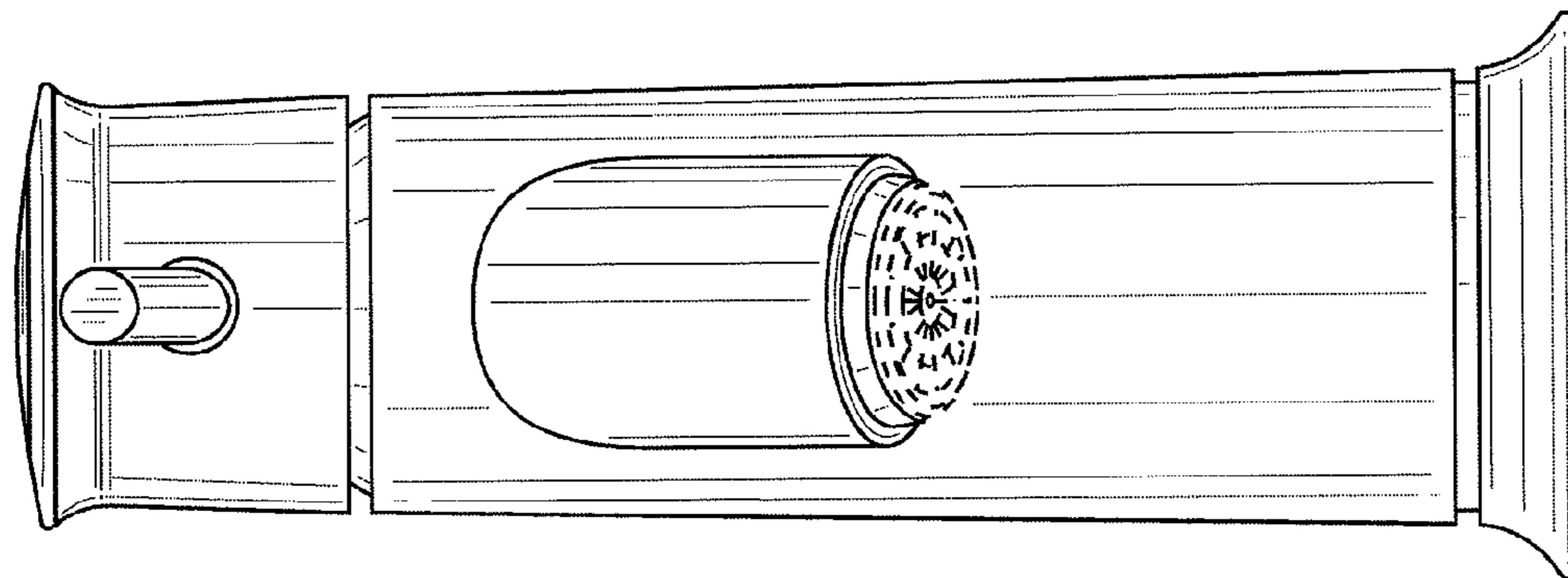


FIG. 5

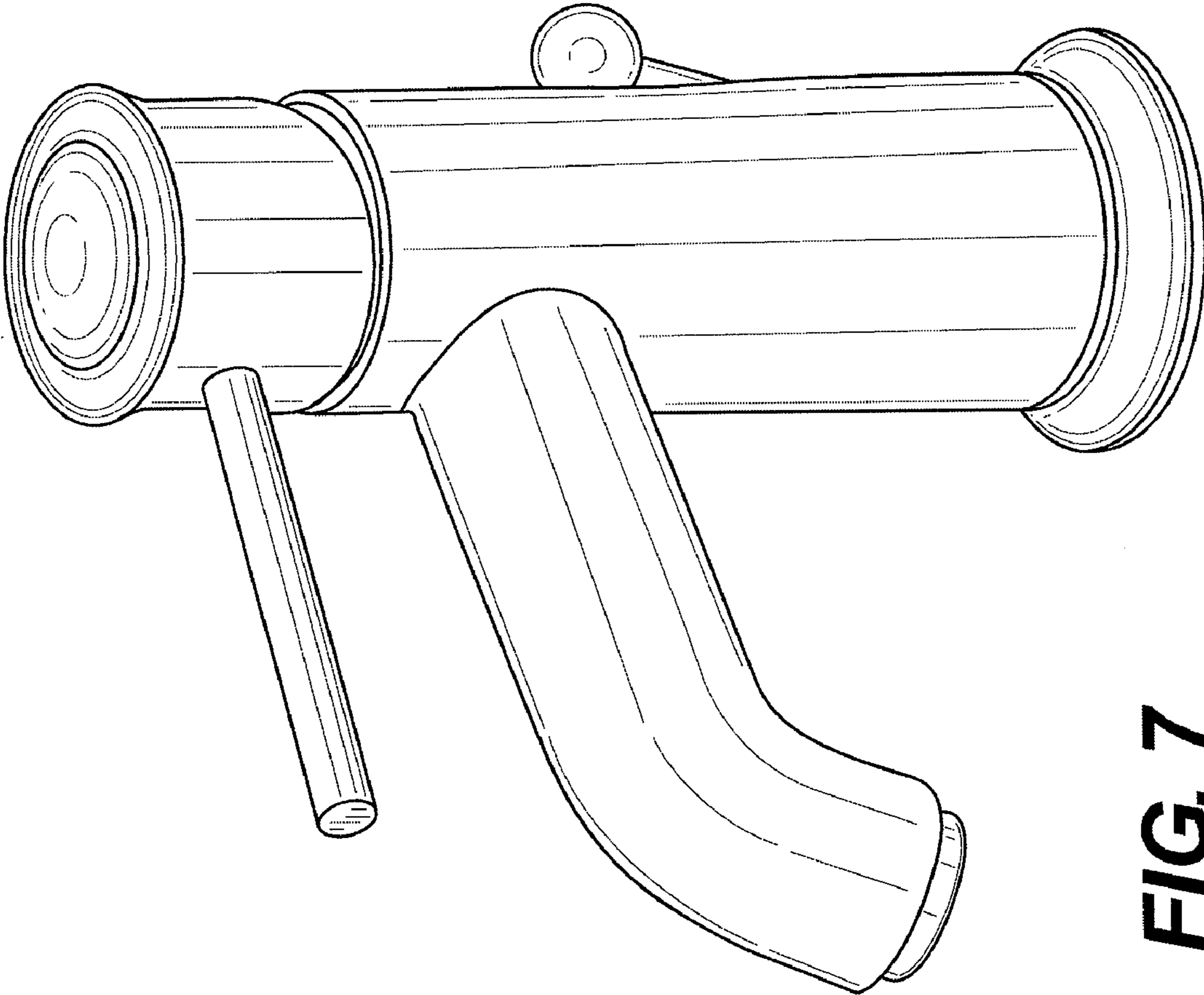


FIG. 7