



US00D644300S

(12) **United States Design Patent**  
**Yokoyama et al.**

(10) **Patent No.:** **US D644,300 S**

(45) **Date of Patent:** **\*\* \*Aug. 30, 2011**

(54) **FAUCET**

(75) Inventors: **Rie Yokoyama**, Kitakyusyu (JP);  
**Nobuhiro Yabe**, Kitakyusyu (JP)

(73) Assignee: **Toto Ltd.**, Kitakyusyu-Shi, Fukuoka (JP)

(\*\*) Term: **14 Years**

(21) Appl. No.: **29/329,939**

(22) Filed: **Dec. 23, 2008**

(30) **Foreign Application Priority Data**

Sep. 1, 2008 (JP) ..... 2008-022476

(51) **LOC (9) Cl.** ..... **23-01**

(52) **U.S. Cl.** ..... **D23/238**

(58) **Field of Classification Search** ..... D23/200,  
D23/238-257; D6/512, 546, 550; D8/300,  
D8/306-308, 310-312, 321; 4/675-678;  
137/801; 16/110.1, 441

See application file for complete search history.

(56) **References Cited**

**U.S. PATENT DOCUMENTS**

D463,531 S \* 9/2002 Gottwald ..... D23/238  
D479,581 S \* 9/2003 Haug et al. .... D23/238  
D487,133 S \* 2/2004 Haug et al. .... D23/238  
D517,647 S \* 3/2006 Kulig ..... D23/238  
D517,653 S \* 3/2006 Ito ..... D23/238  
D528,636 S \* 9/2006 Latoracca ..... D23/238  
D529,991 S \* 10/2006 Egli et al. .... D23/238

D541,381 S \* 4/2007 Haug et al. .... D23/238  
D548,308 S \* 8/2007 Hoernig ..... D23/238  
D555,770 S \* 11/2007 Belisle ..... D23/238  
D586,881 S \* 2/2009 Lammel et al. .... D23/238

**FOREIGN PATENT DOCUMENTS**

JP 1334696 6/2009

\* cited by examiner

*Primary Examiner* — T. Chase Nelson

*Assistant Examiner* — Mark Cavanna

(74) *Attorney, Agent, or Firm* — Birch, Stewart, Kolasch & Birch, LLP

(57) **CLAIM**

The ornamental design for a faucet, as shown and described.

**DESCRIPTION**

FIG. 1 is a perspective view of the top, front and right side of a faucet showing our new design;

FIG. 2 is a front view thereof;

FIG. 3 is a rear view thereof;

FIG. 4 is a left side view thereof;

FIG. 5 is a right side view thereof;

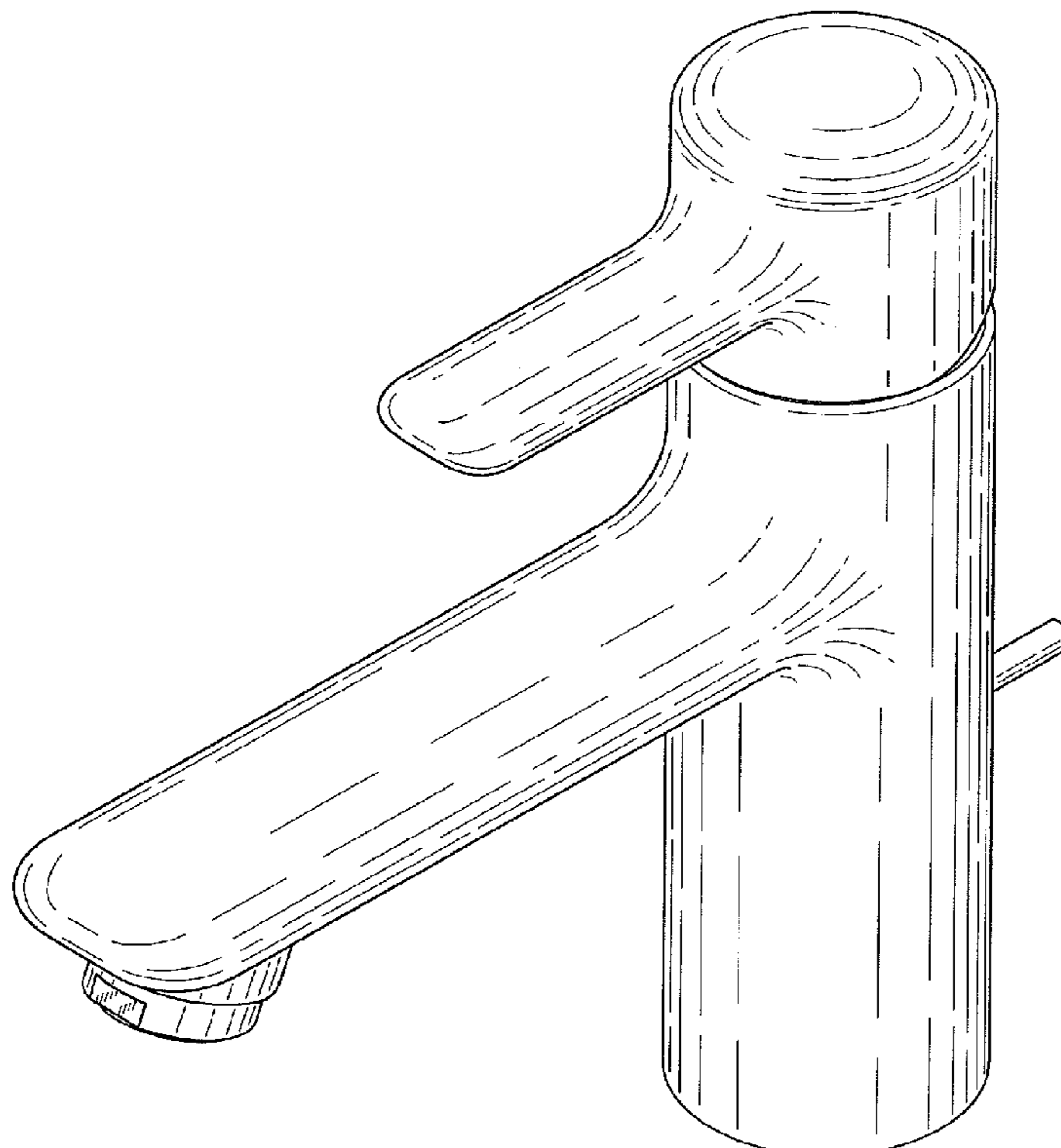
FIG. 6 is a top plan view thereof;

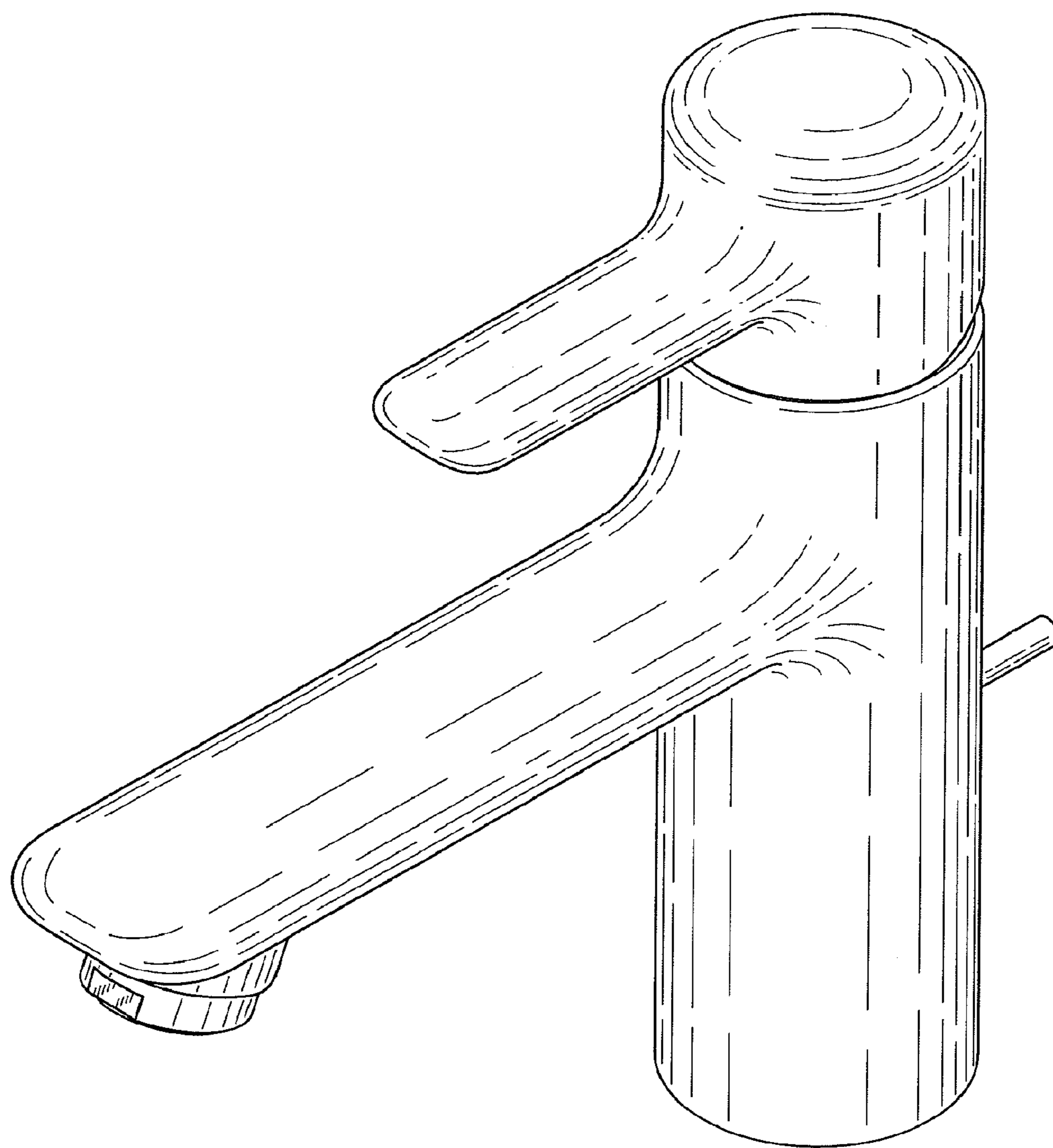
FIG. 7 is a bottom view thereof; and,

FIG. 8 is a perspective reference view of usage thereof.

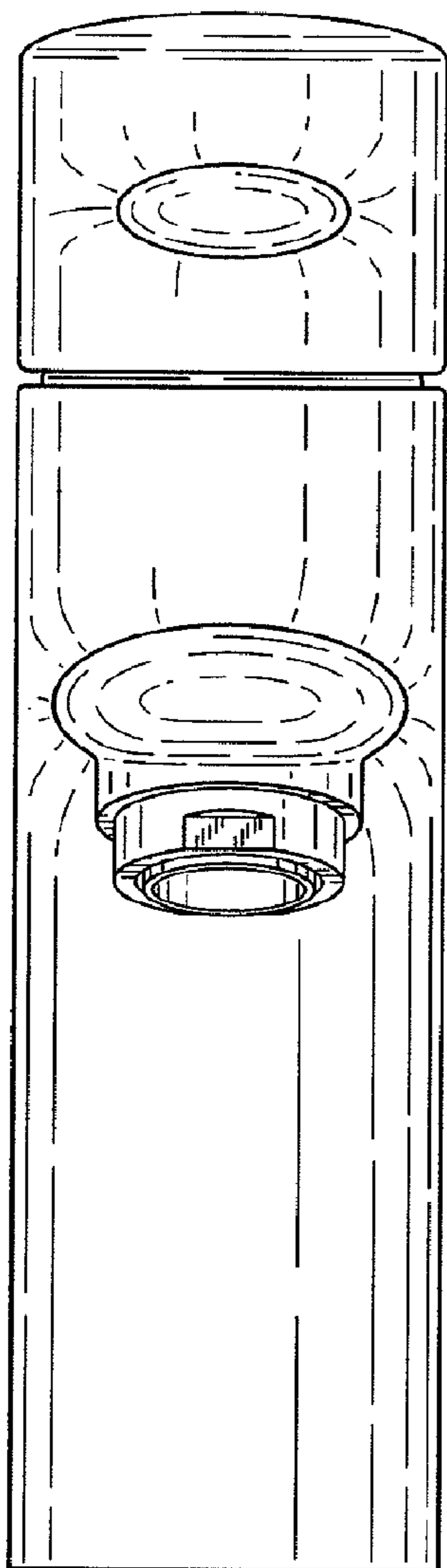
The broken lines shown in the oval area on the spout portion of the faucet shown in FIG. 7 and in the base portion of FIG. 8 are included for the purpose of illustrating a portion of the faucet handle that forms no part of the claimed design.

**1 Claim, 6 Drawing Sheets**

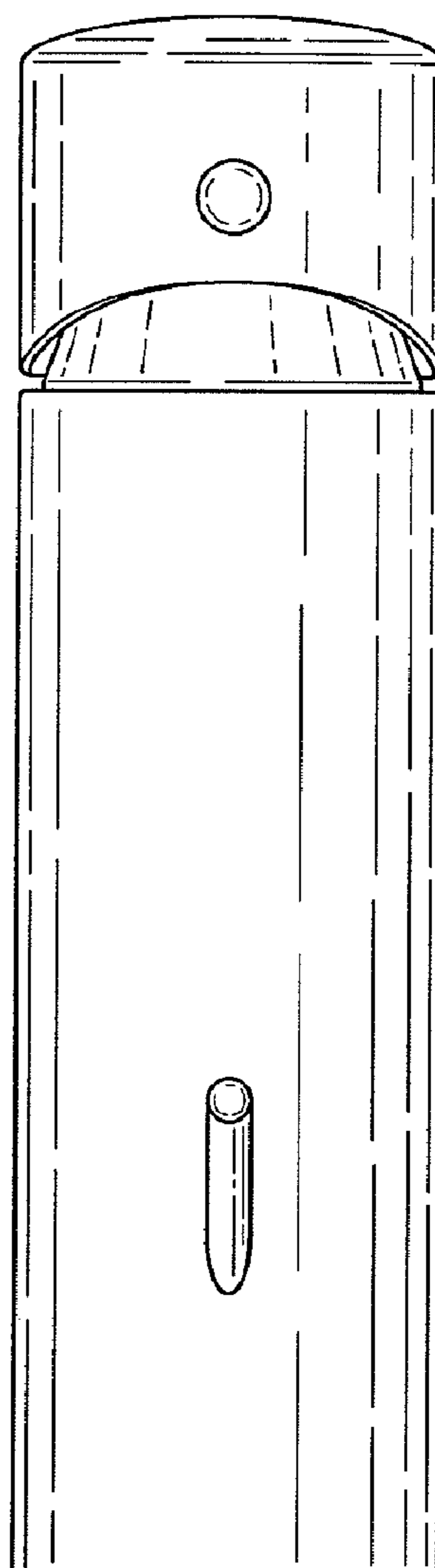




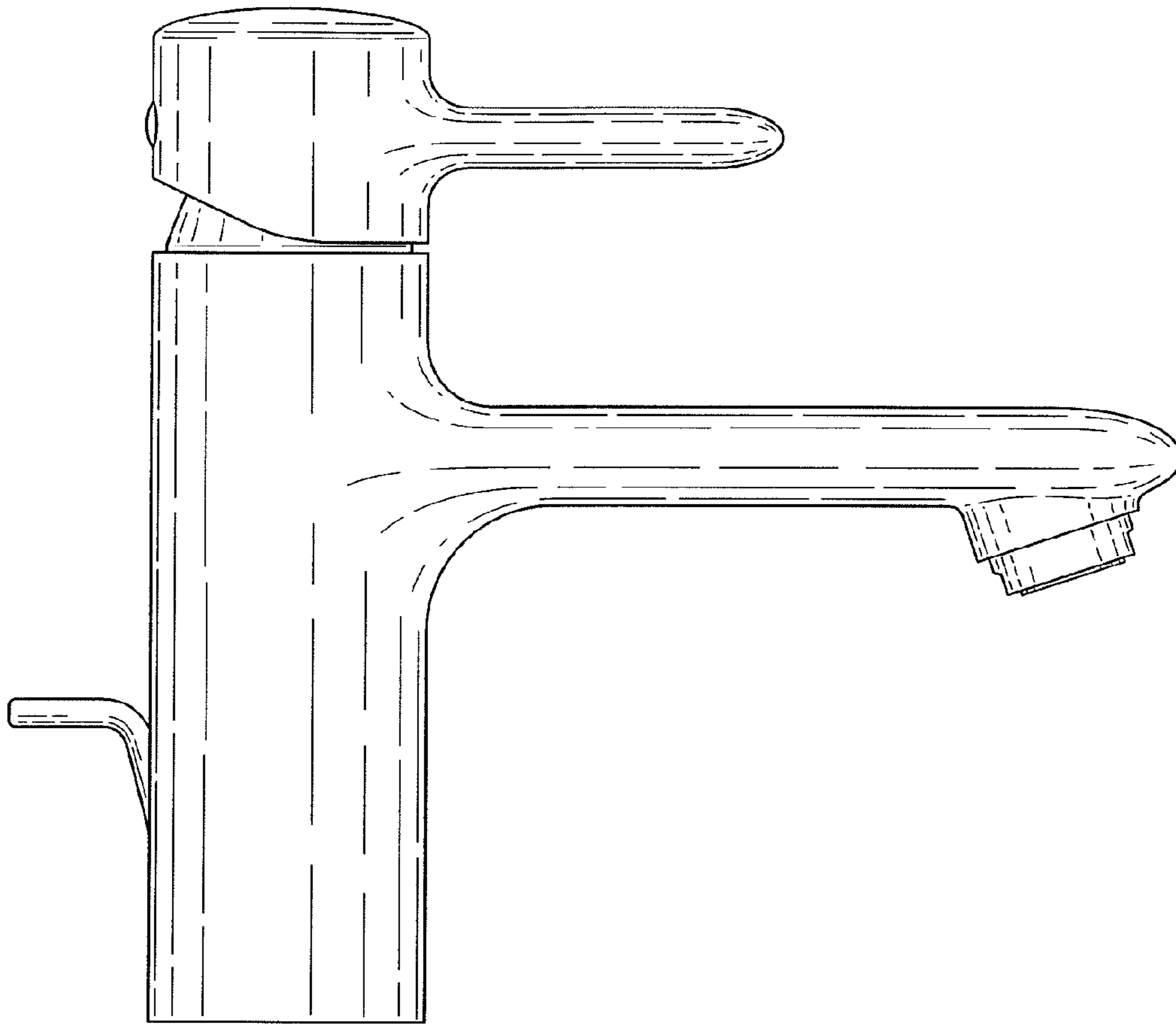
*FIG. 1*



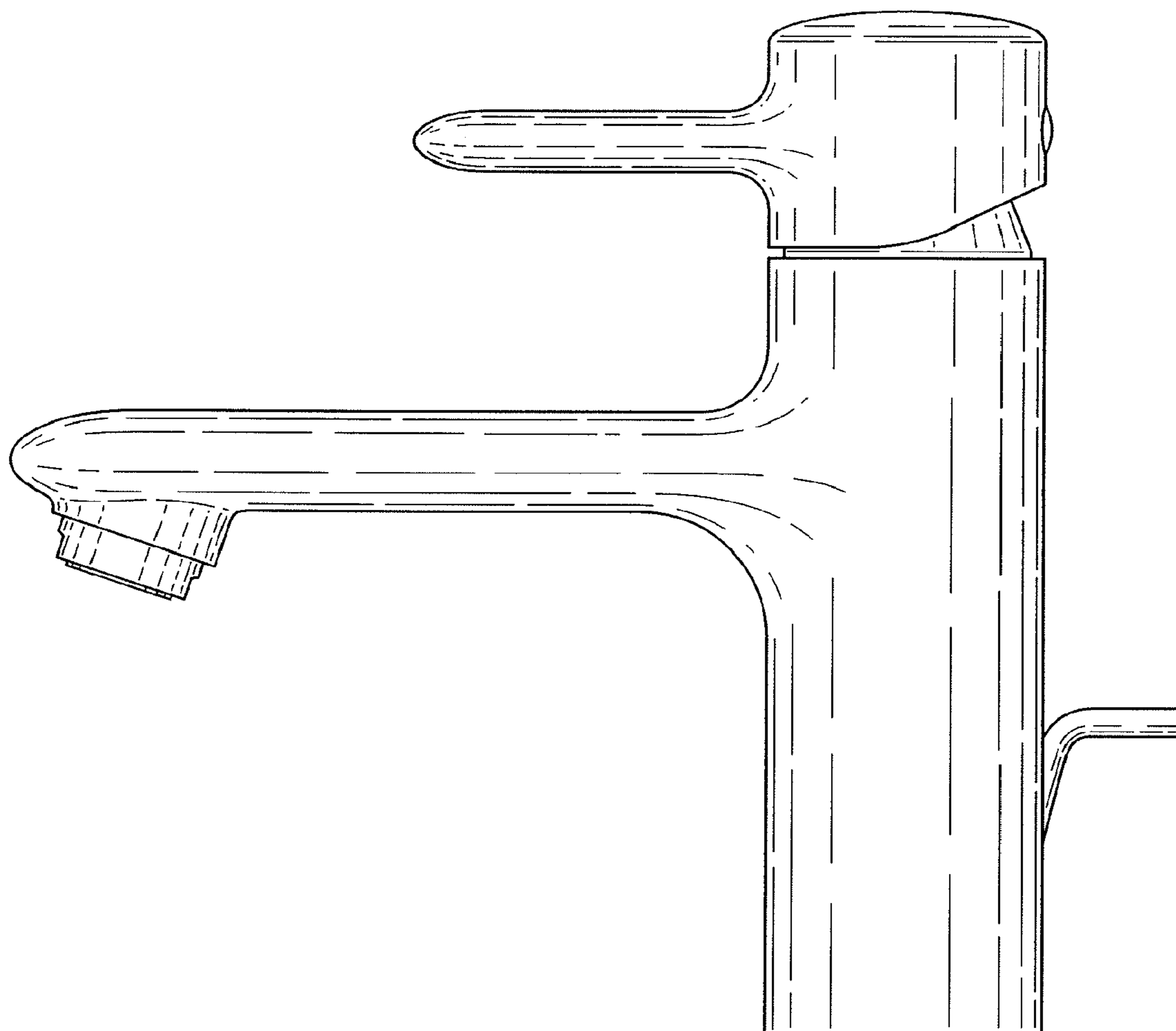
*FIG. 2*



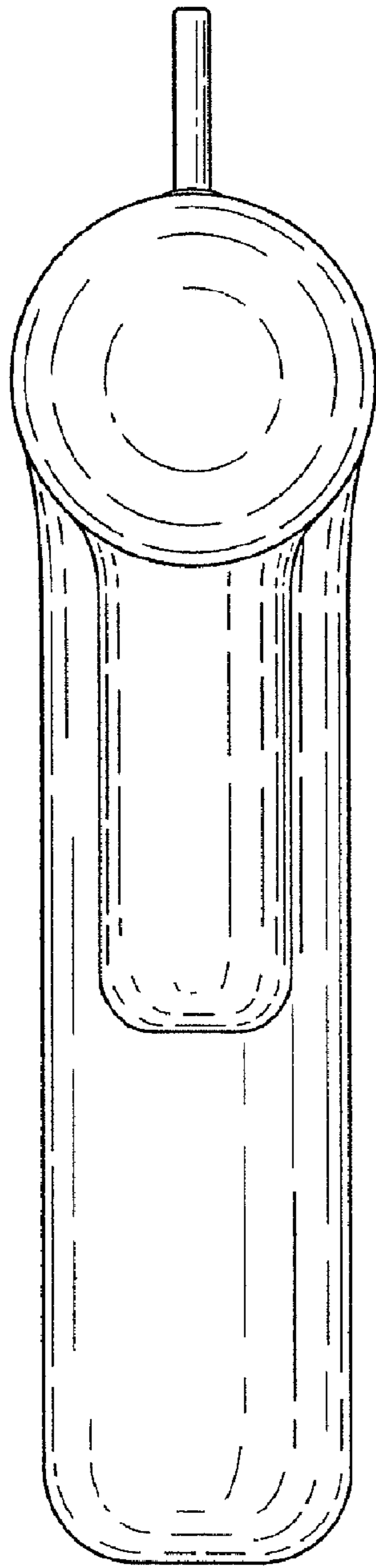
*FIG. 3*



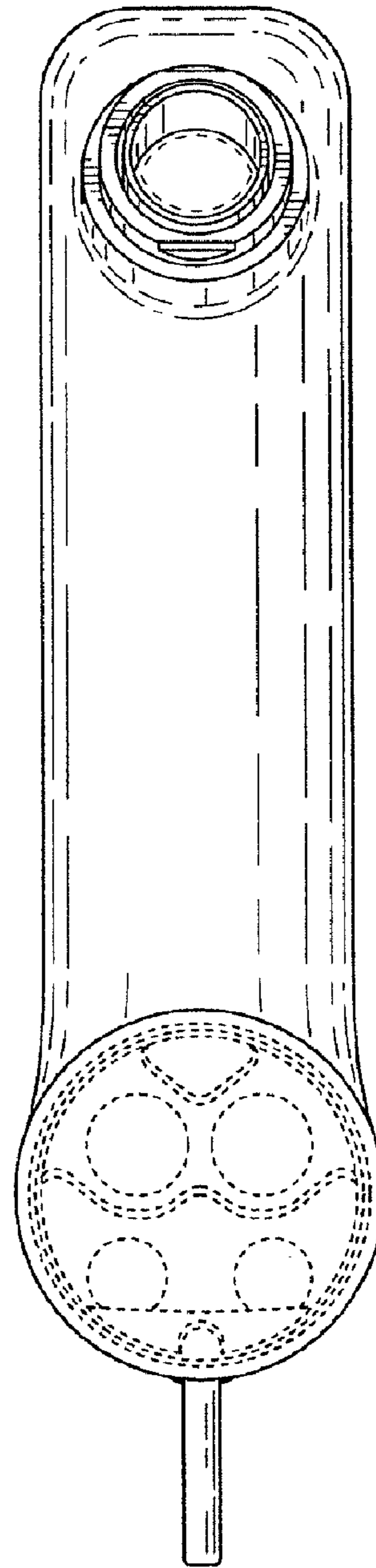
*FIG. 4*



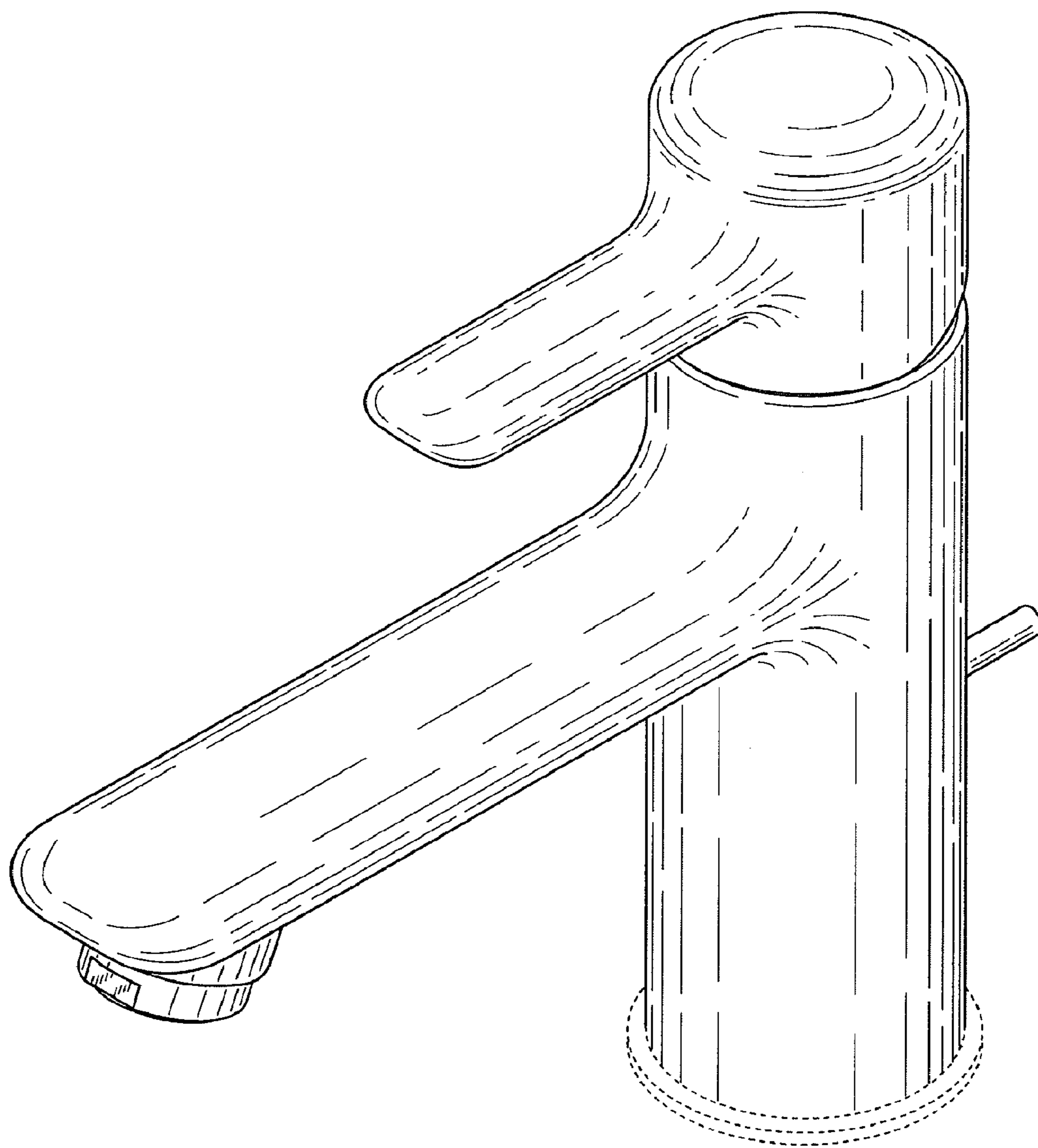
*FIG. 5*



*FIG. 6*



*FIG. 7*



**FIG. 8**