



US00D644298S

(12) **United States Design Patent**  
**Okitsu et al.**

(10) **Patent No.:** **US D644,298 S**

(45) **Date of Patent:** **\*\* Aug. 30, 2011**

(54) **PRESSURE REGULATOR**

(75) Inventors: **Masayuki Okitsu**, Tsukubamirai (JP);  
**Naoki Iguma**, Tsukubamirai (JP); **Kenji**  
**Tsukamoto**, Tsukubamirai (JP)

(73) Assignee: **SMC Corporation**, Chiyoda-ku, Tokyo  
(JP)

(\*\*) Term: **14 Years**

(21) Appl. No.: **29/391,582**

(22) Filed: **May 11, 2011**

(30) **Foreign Application Priority Data**

Jan. 12, 2011 (JP) ..... 2011-000430

(51) **LOC (9) Cl.** ..... **23-01**

(52) **U.S. Cl.** ..... **D23/235**

(58) **Field of Classification Search** ..... D23/233-237,  
D23/244-245; D10/85; 137/82.1, 116.3,  
137/116.5, 237, 463, 505, 505.25, 505.41-505.43,  
137/505.46, 549, 557, 614.2, 855, 906  
See application file for complete search history.

(56) **References Cited**

**U.S. PATENT DOCUMENTS**

D103,582 S *	3/1937	Murphy	.....	D23/235
D301,914 S *	6/1989	Ogasawara et al.	.....	D23/209
D317,494 S *	6/1991	Miyake et al.	.....	D23/235
D318,713 S *	7/1991	Miyake et al.	.....	D23/235
D410,525 S *	6/1999	Uehara et al.	.....	D23/235
D416,310 S *	11/1999	Uehara et al.	.....	D23/235
D444,722 S *	7/2001	Honma	.....	10/85

D444,723 S *	7/2001	Honma	.....	10/85
D632,362 S *	2/2011	Ito et al.	.....	D23/233
D633,986 S *	3/2011	Ito et al.	.....	D23/233

\* cited by examiner

*Primary Examiner* — Joel A. Sincavage

*Assistant Examiner* — Maurice Stevens

(74) *Attorney, Agent, or Firm* — Yokoi & Co., U.S.A., Inc.;  
Toshiyuki Yokoi

(57) **CLAIM**

The ornamental design for a pressure regulator, as shown and described.

**DESCRIPTION**

FIG. 1 shows a front view of a pressure regulator showing my new design;

FIG. 2 shows a rear view thereof;

FIG. 3 shows a right side view thereof;

FIG. 4 shows a left side view thereof;

FIG. 5 shows a top view thereof;

FIG. 6 shows a bottom view thereof;

FIG. 7 shows a top, front and left side perspective view thereof;

FIG. 8 shows a bottom, front and right side perspective view thereof;

FIG. 9 shows an enlarged partial cross-sectional view thereof, taken along line 9-9 in FIG. 6; and,

FIG. 10 shows a partial cross-sectional view thereof, taken along line 10-10 in FIG. 6.

The portions of the pressure regulator shown in broken lines in FIGS. 1, 6, 7, 8 and 10 are for the purpose of illustrating the environment only and form no part of the claimed design.

**1 Claim, 9 Drawing Sheets**

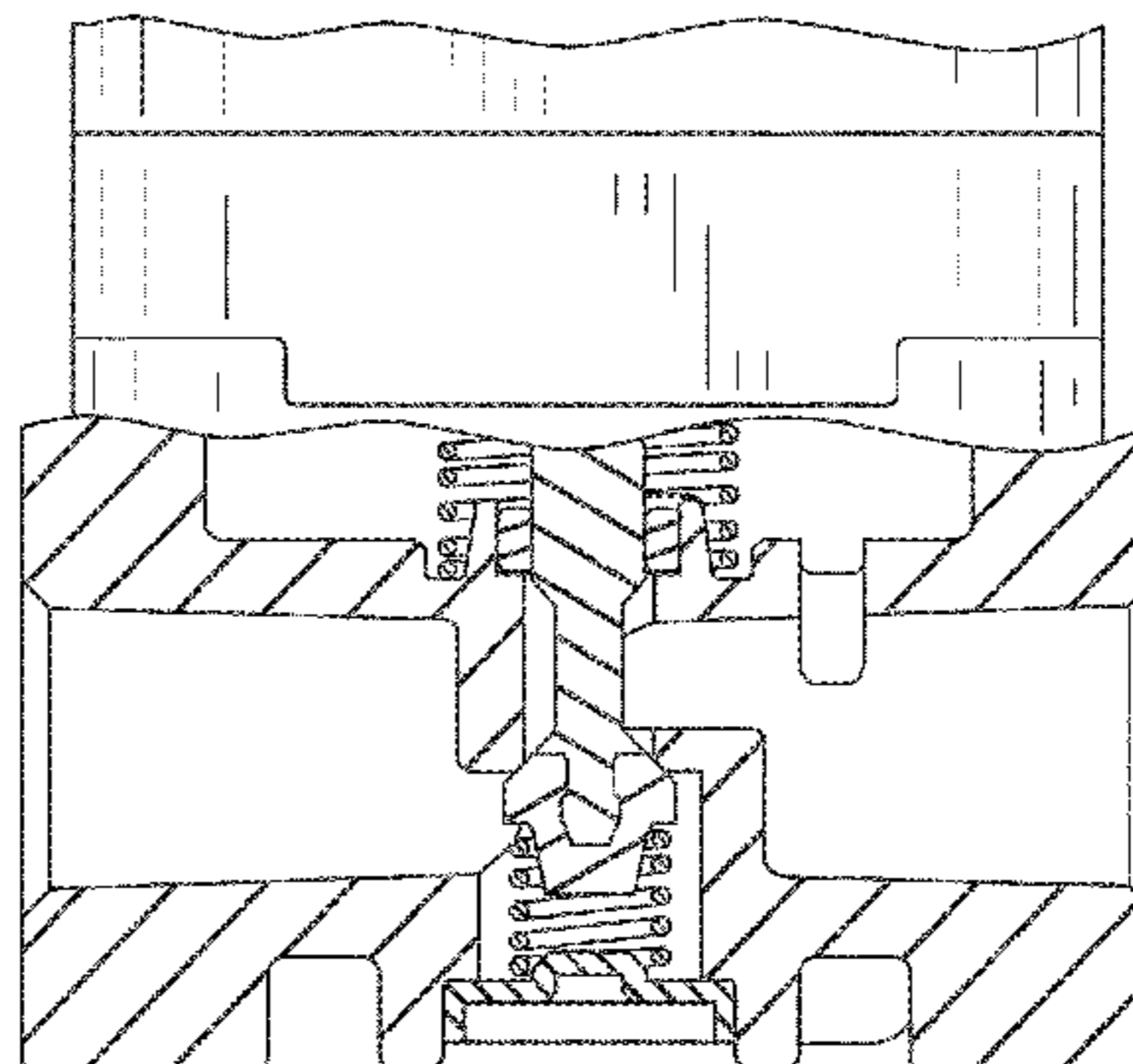
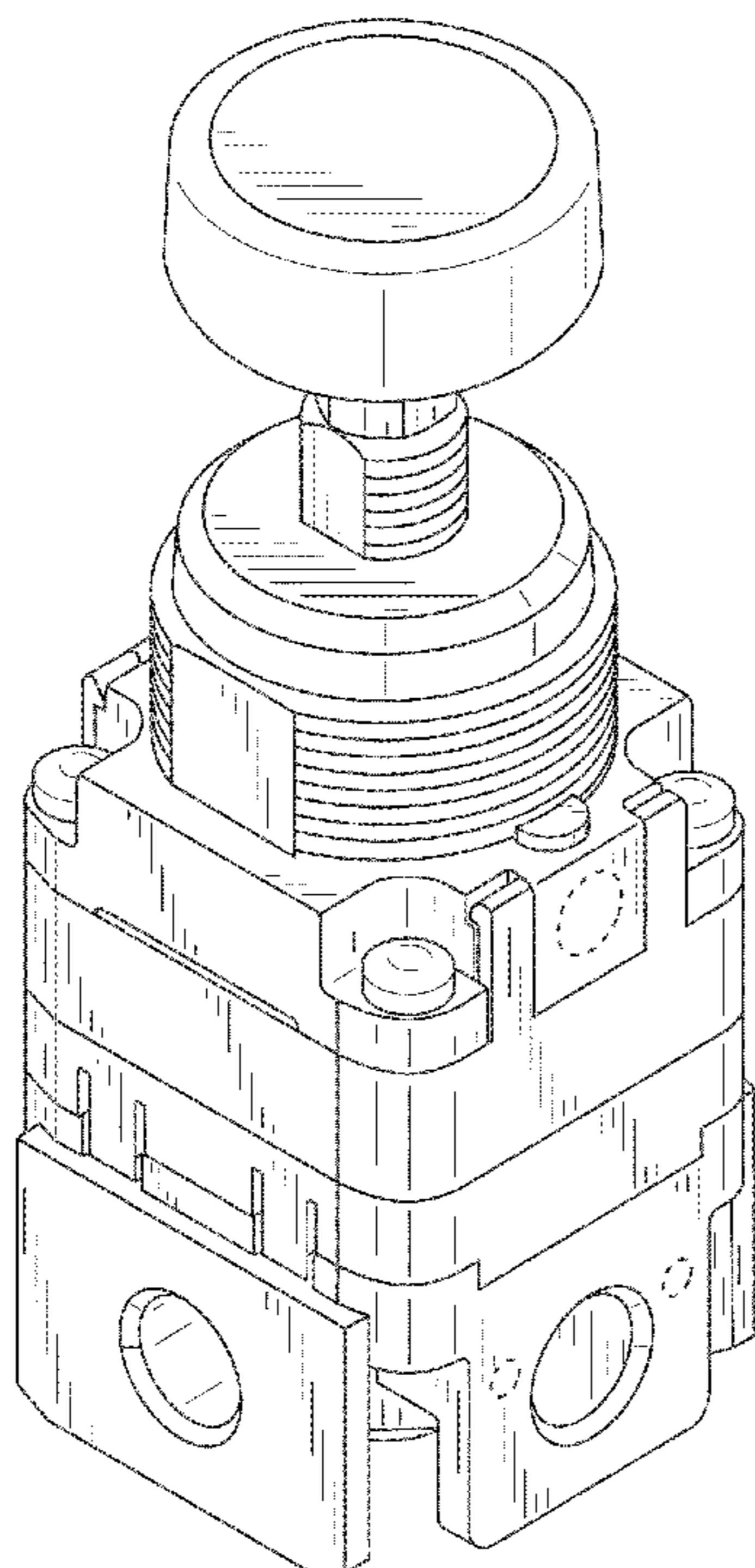


FIG. 1

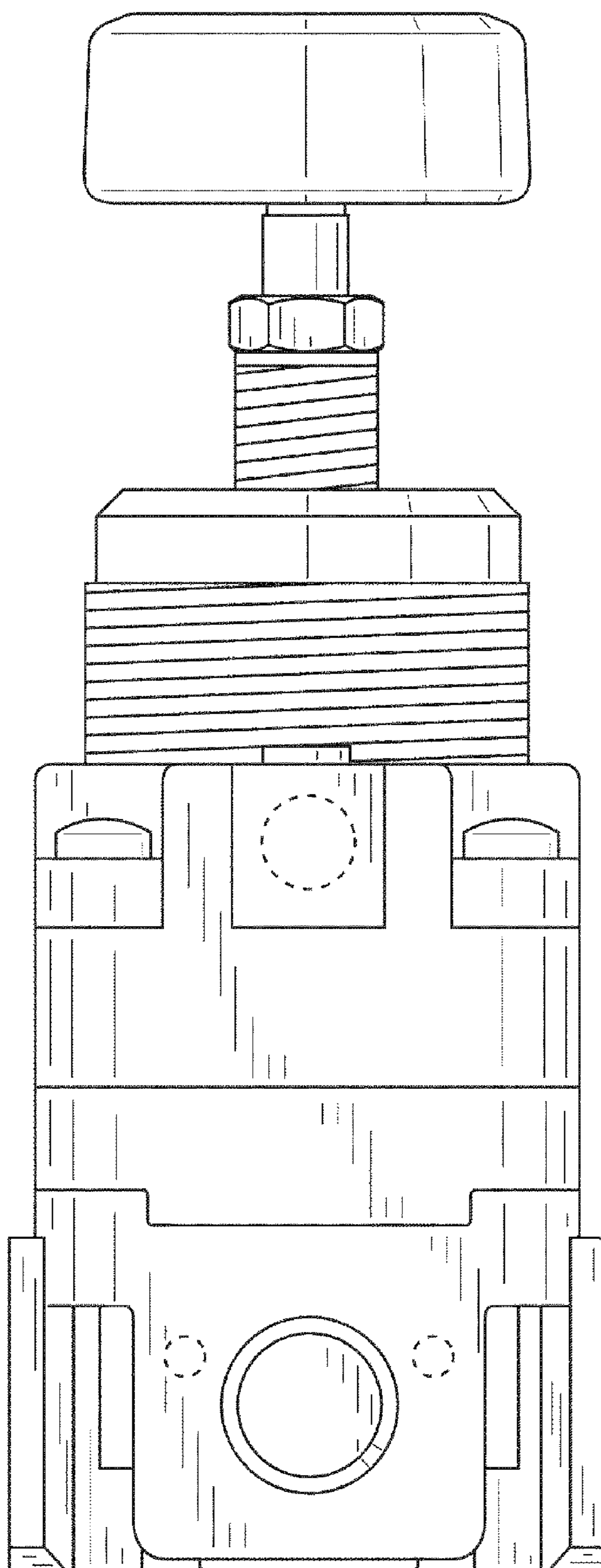


FIG. 2

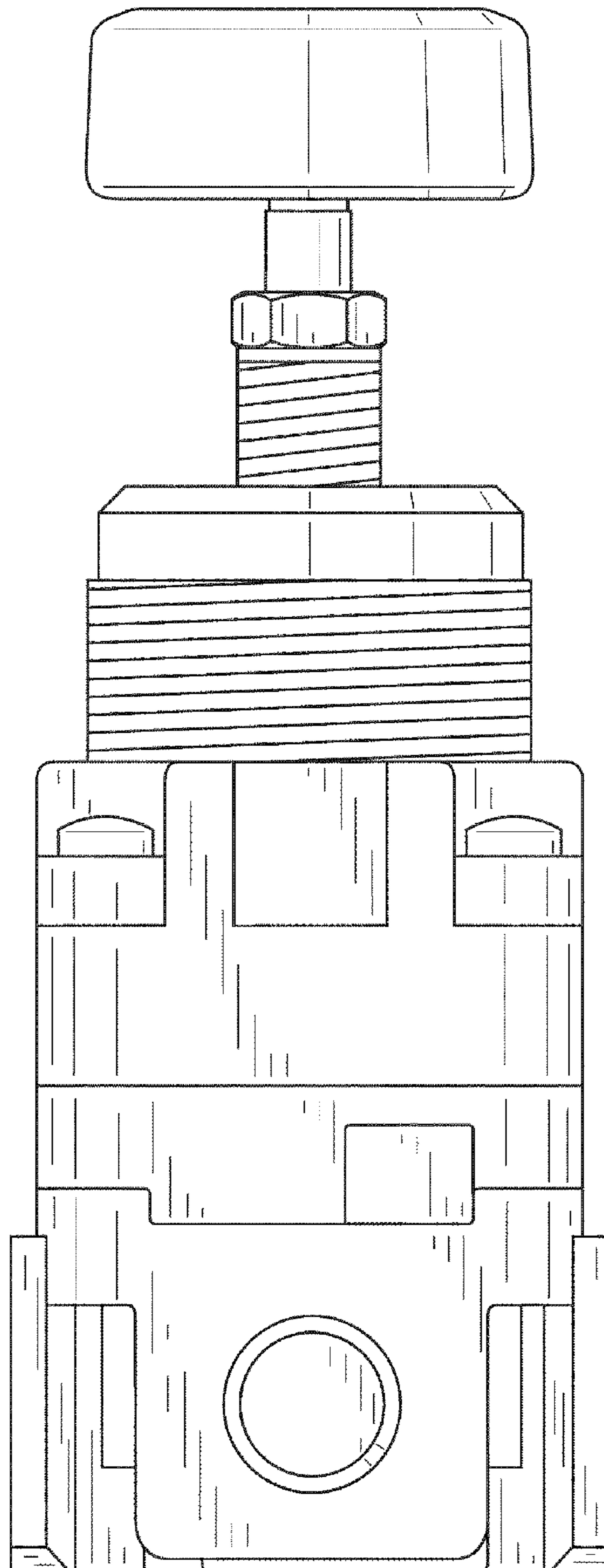


FIG. 3

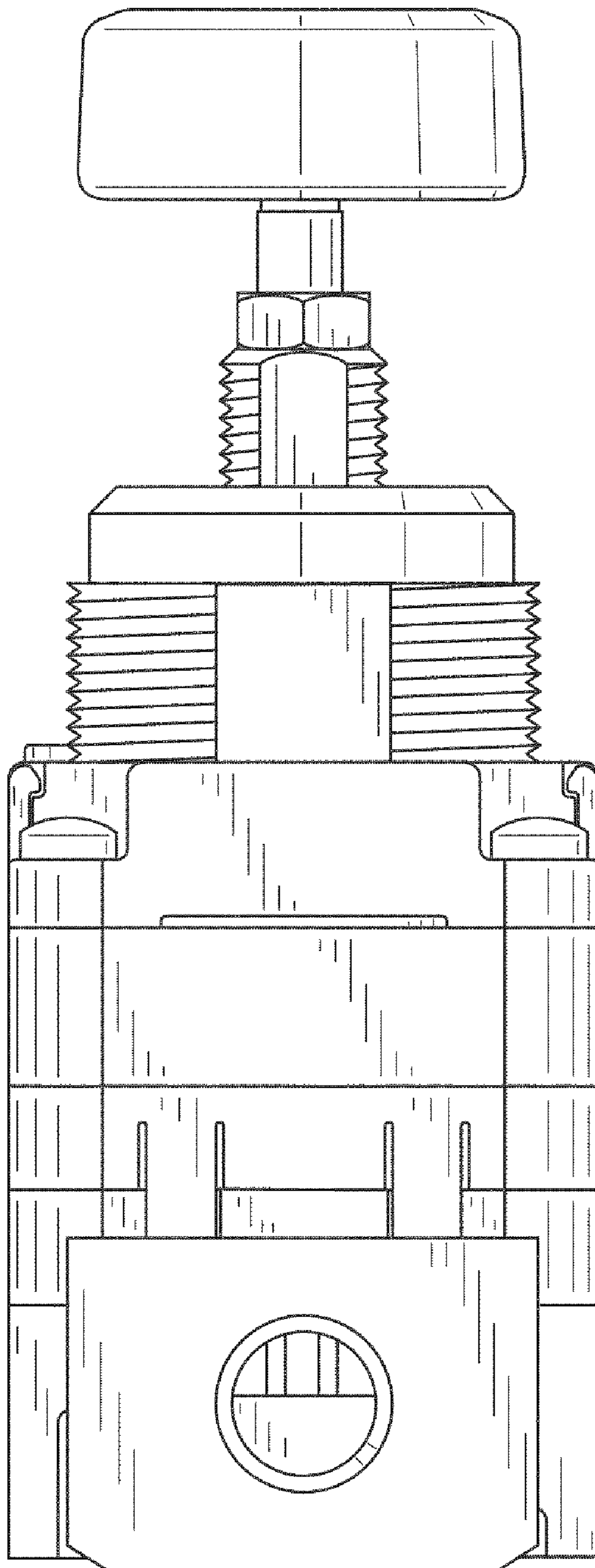


FIG. 4

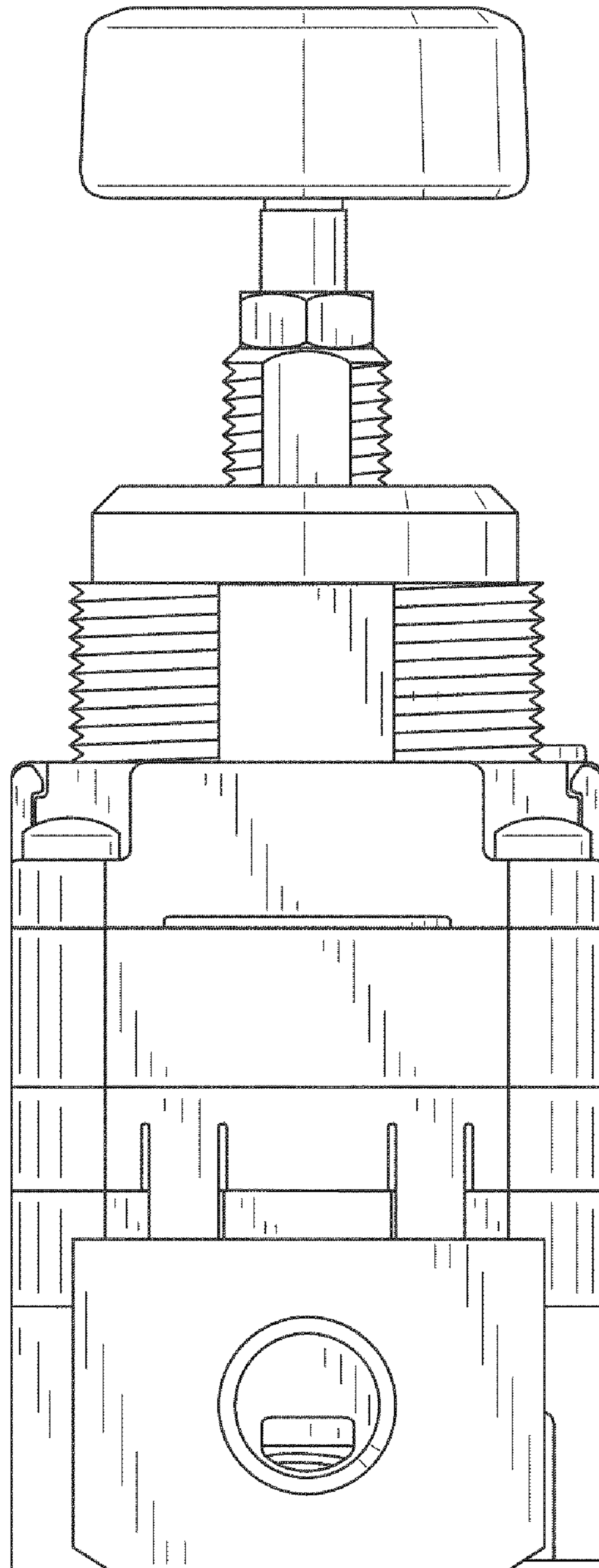


FIG. 5

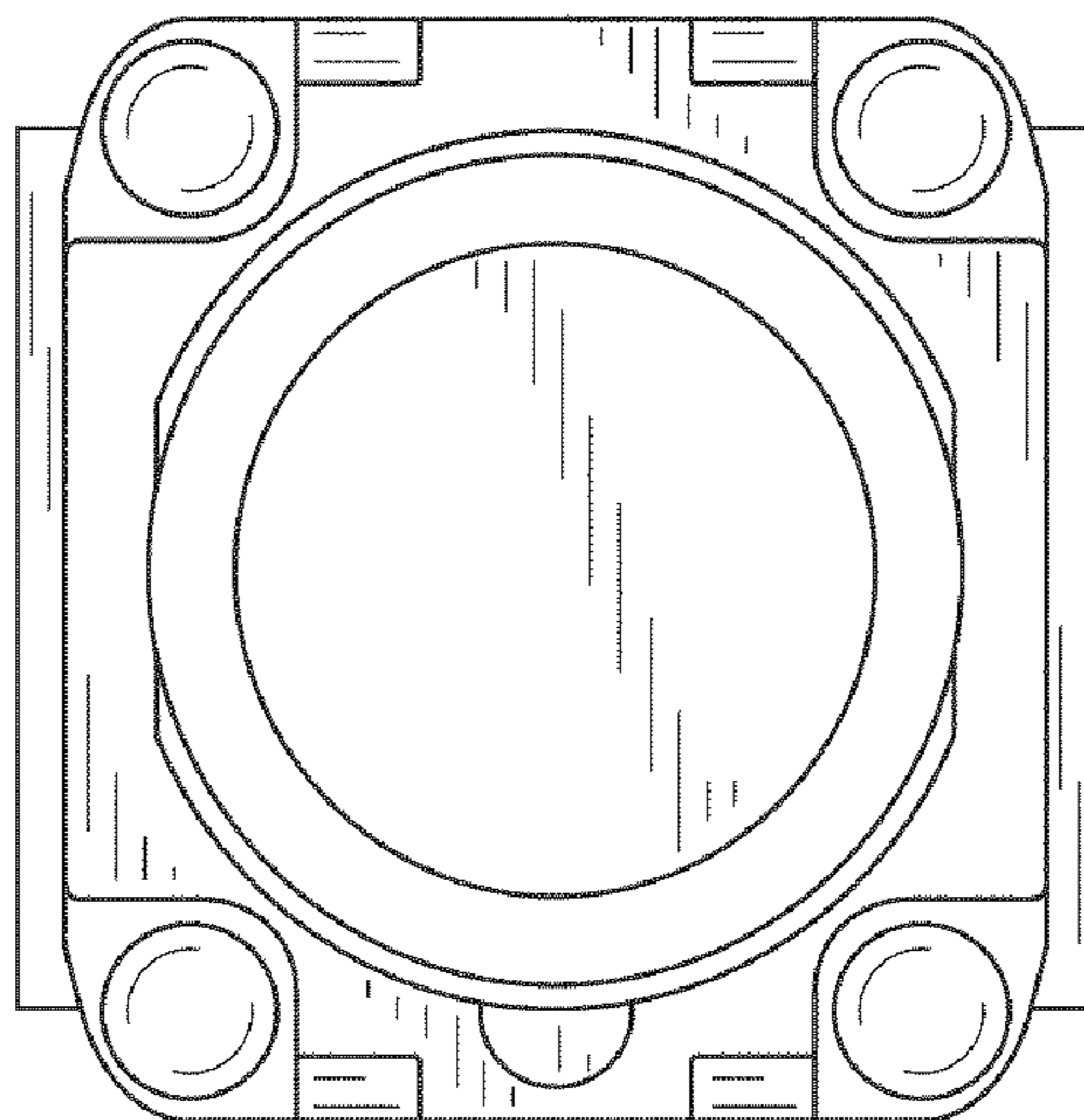


FIG. 6

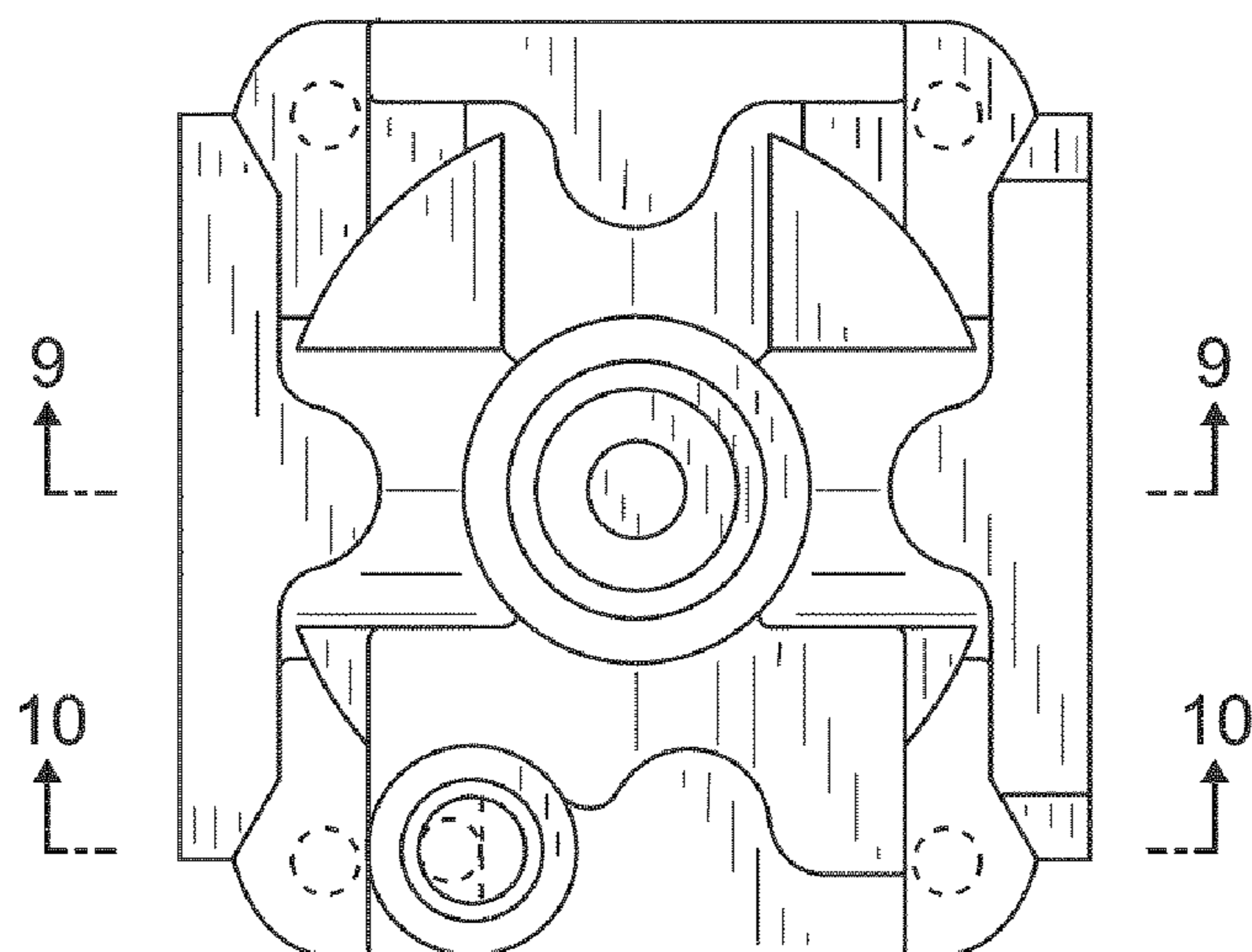


FIG. 7

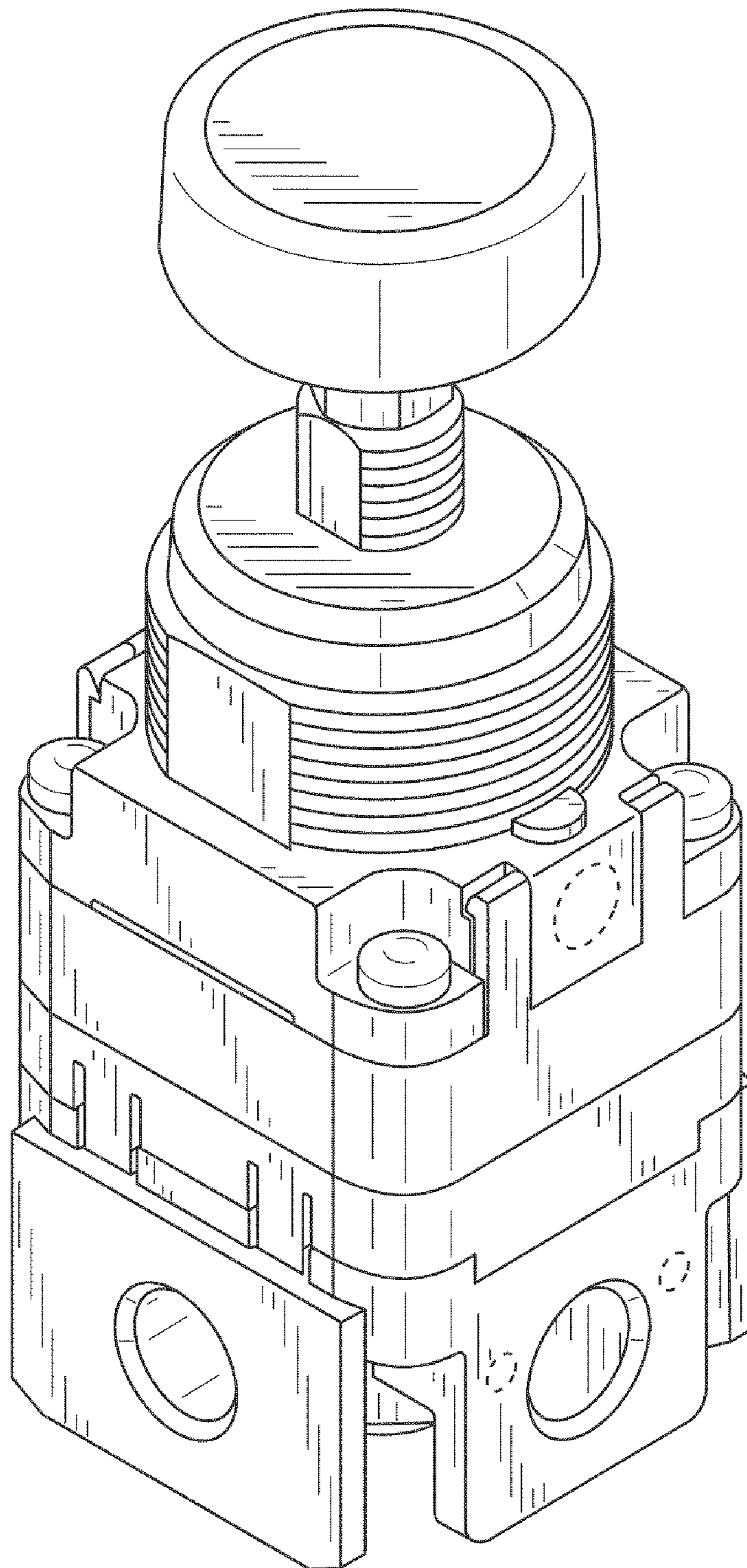
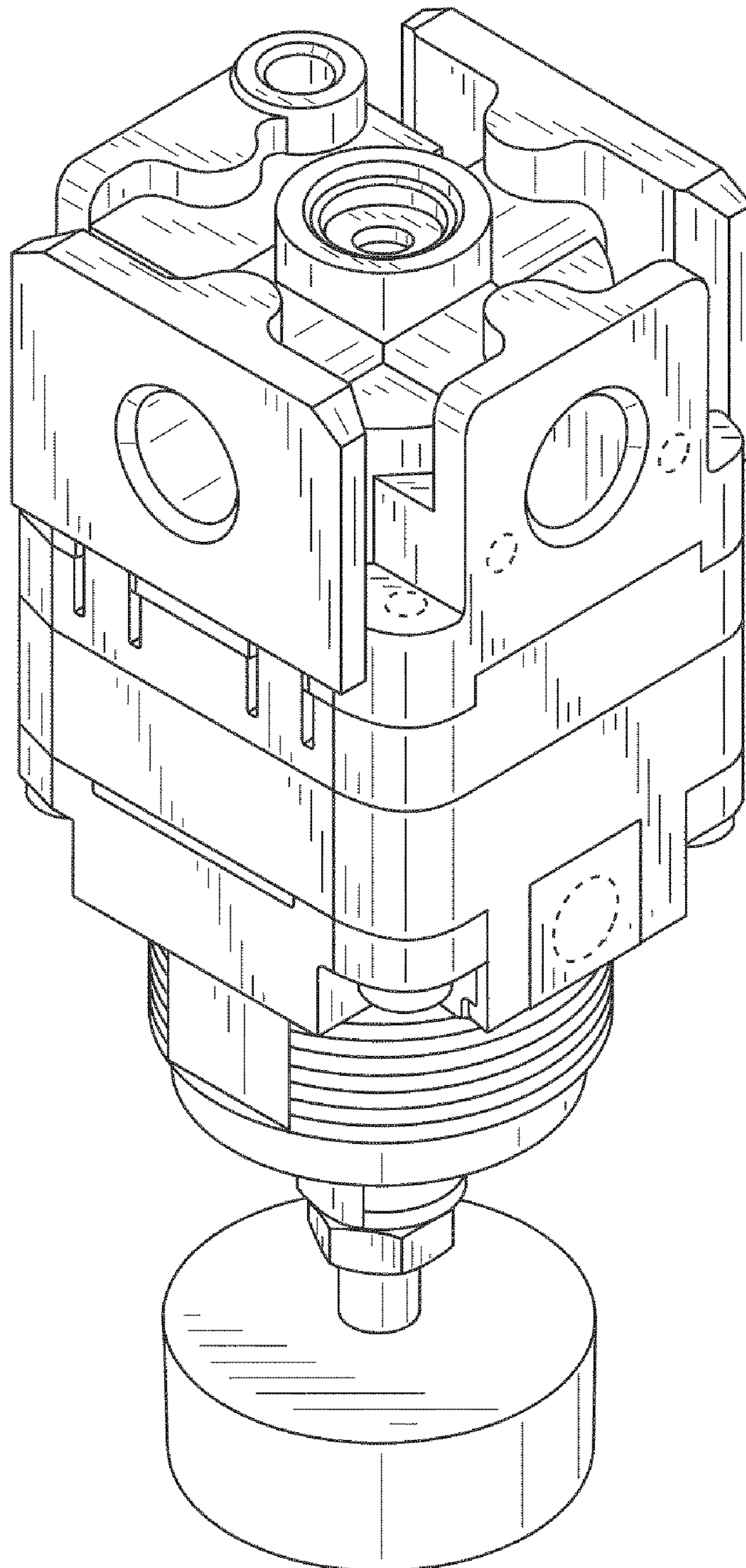


FIG. 8





# FIG. 9

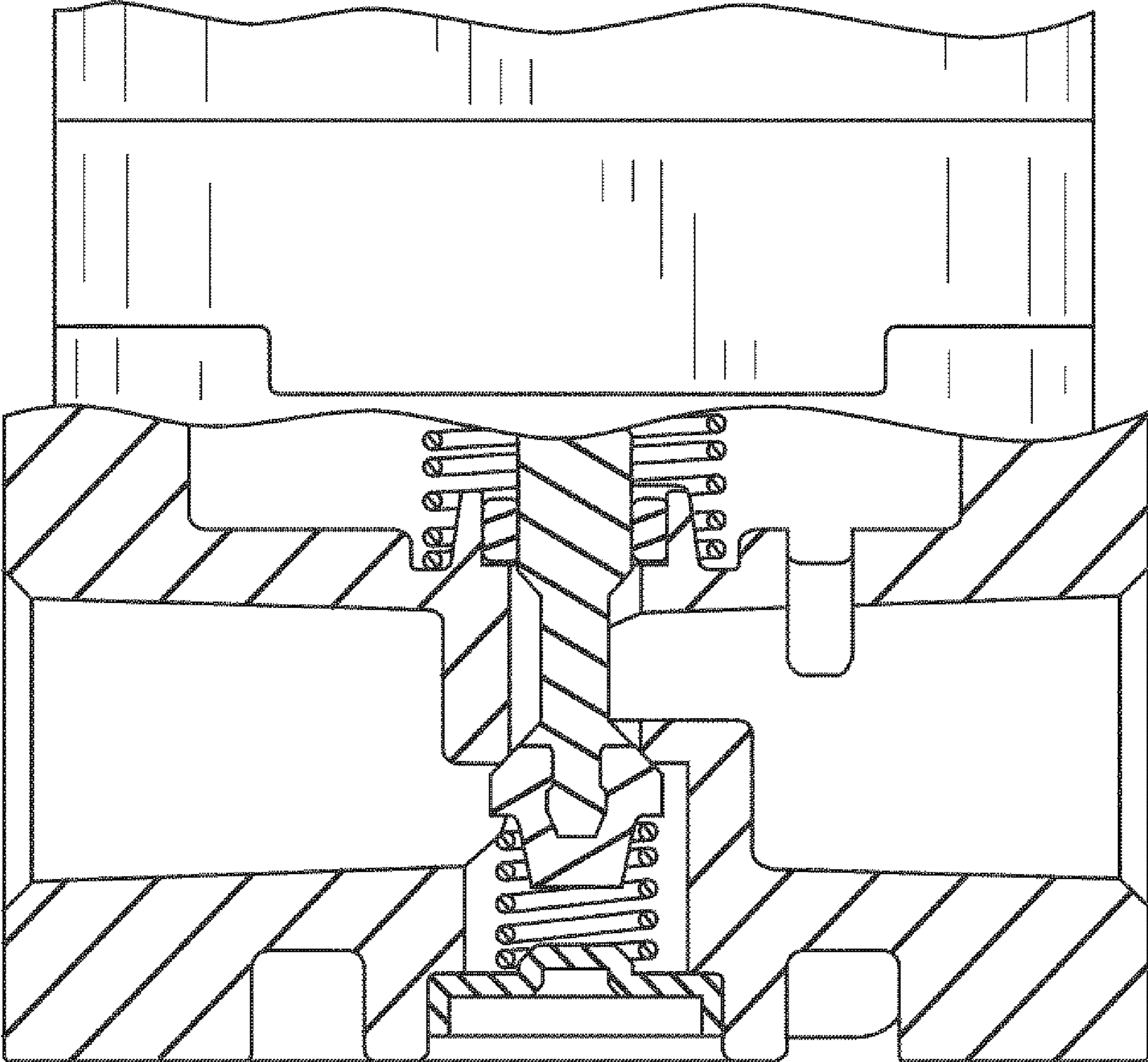


FIG. 10

